

**KOBELCO**

**PARTS MANUAL**

**HYDRAULIC EXCAVATOR  
ED180**

Applicable: ED180 YLU0001~

2421R418D13-01

08/01

# **KOBELCO**

# **PARTS MANUAL**

**ED180**

applicable: YLU0001~

PART NUMBER: 2421R418D13-01

ISSUED: 08/01; REV.1



## NOTE

**Some of the information for this parts manual  
was not available at the time of release.  
Please contact your local KOBELCO  
distributor for assistance.**

**(8/01)**

**IT IS SUGGESTED THAT YOU WRITE THE MACHINE  
AND ENGINE SERIAL NUMBERS IN THE SPACE  
BELOW FOR FUTURE REFERENCE.**

<b>MACHINE SERIAL NUMBER</b> Numero de serie de machine Maschinen - seriennummer	
<b>ENGINE SERIAL NUMBER</b> Numero de serie de moteur Motor - seriennummer	
<b>DATE DELIVERED</b> Date delivree Tag der Anlieferung	

*NOTE: Due to our policy of continual product improvement, all designs and specifications are subject to change without notice.*

# HOW TO USE THIS CATALOG

## HOW TO FIND PART INFORMATION:

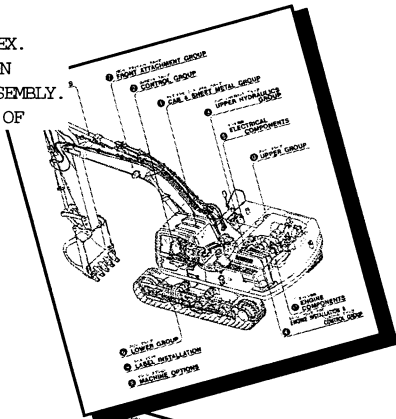
WHEN ASSEMBLY LOCATION IS KNOWN,



PERFORM STEPS 1, 2, 3 AND 4.

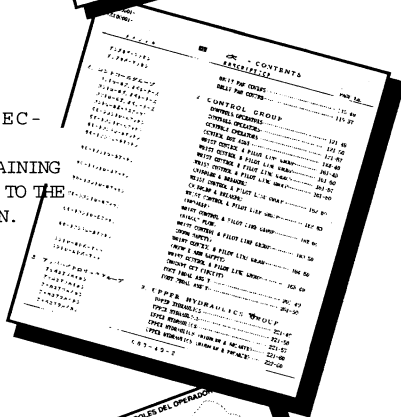
1

TURN TO VISUAL INDEX. LOCATE THE SECTION CONTAINING THE ASSEMBLY. TURN TO THE TABLE OF CONTENTS.



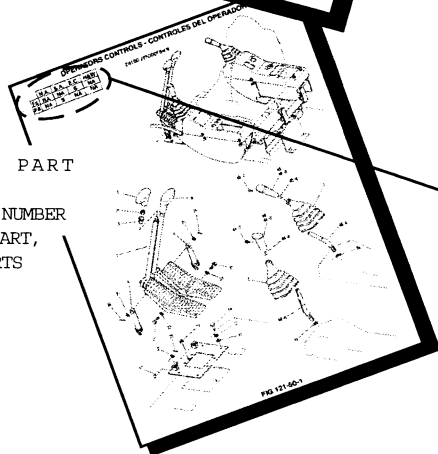
2

LOCATE THE SECTION AND PAGE NUMBERS CONTAINING THE ASSEMBLY. TURN TO THE APPROPRIATE SECTION.



3

LOCATE THE PART VISUALLY. USING THE INDEX NUMBER SHOWN WITH THE PART, REFER TO THE PARTS LISTING TO OBTAIN THE PART NUMBER, DESCRIPTION AND QUANTITY.

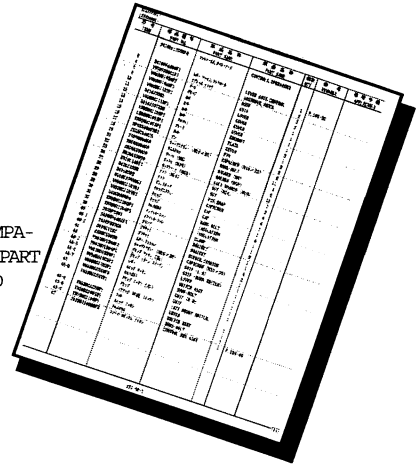


WHEN THE ASSEMBLY NAME IS KNOWN, TURN TO THE TABLE OF CONTENTS AND FOLLOW STEPS 2, 3 AND 4.



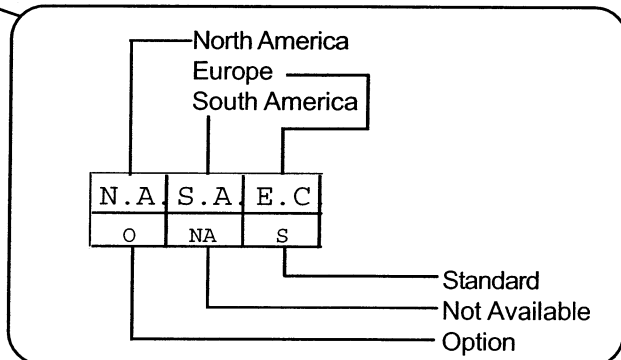
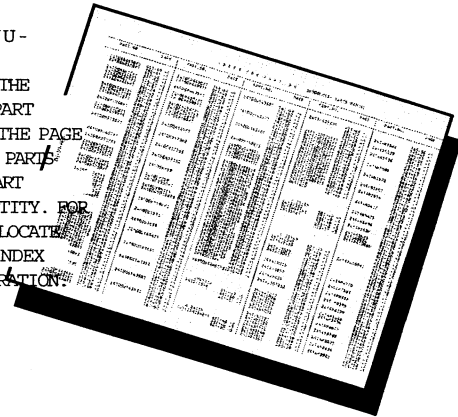
4

USING THE INDEX PART NUMBER SHOWN WITH THE PART, REFER TO THE ACCOMPANYING LIST TO OBTAIN THE PART NUMBER, DESCRIPTION AND QUANTITY.



5

TURN TO THE NUMERICAL INDEX IN THE BACK OF THE MANUAL. LOCATE THE PART NUMBER AND TURN TO THE PAGE IDENTIFIED. USING THE PARTS LISTING, OBTAIN THE PART DESCRIPTION AND QUANTITY. FOR A VISUAL REFERENCE, LOCATE THE CORRESPONDING INDEX NUMBER ON THE ILLUSTRATION.



# COMO UTILIZAR ESTE CATALOGO

YLU0001~

## COMO BUSCAR LA INFORMACION EN ESTE LIBRO:

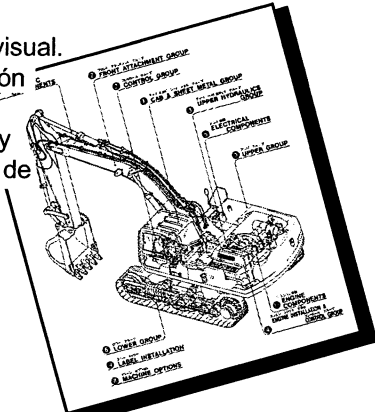
CUANDO SE CONOCE LA UBICACION DEL COMPONENTE,



SIGA LOS PASOS 1, 2, 3 y 4

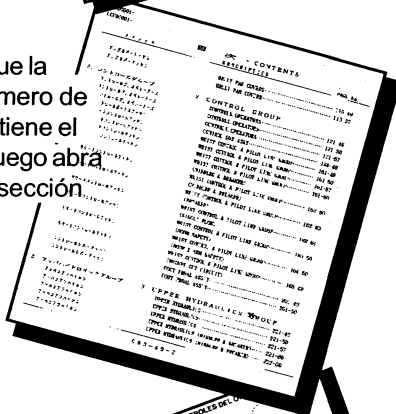
1

Vaya al índice visual. Ubique la sección que contiene el componente y vaya a la Tabla de Contenido.



2

En la Tabla de Contenido ubique la sección y el número de página que contiene el componente. Luego abra la página en la sección indicada.



3

Ubique visualmente la figura del componente que contiene la parte buscada y observe la tabla ubicada en la esquina superior izquierda de la figura de la página. Asegúrese de que la figura aplica para las máquinas fabricadas en la región correspondiente.

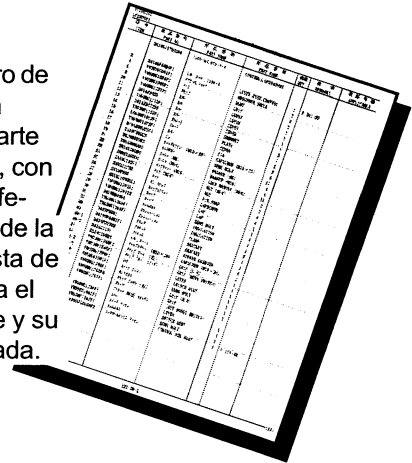


CUANDO SE CONOCE EL NOMBRE DEL COMPONENTE, VAYA DIRECTAMENTE A LA TABLA DE CONTENIDO Y SIGA LOS PASOS 2, 3 Y 4.



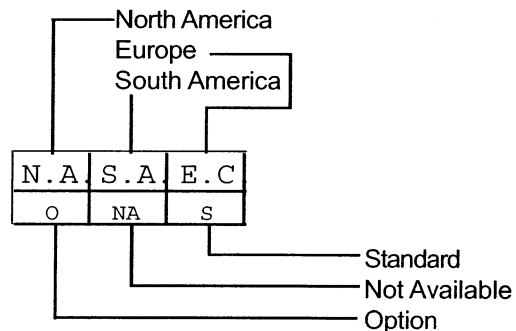
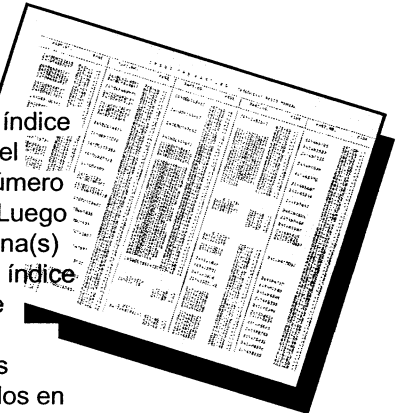
4

Ubique el número de referencia en la figura, para la parte buscada. Ahora, con el número de referencia obtenido de la figura, use su lista de partes y obtenga el número de parte y su cantidad apropiada.



5

Abra la sección correspondiente al índice numérico, al final del libro, y ubique el número de parte buscado. Luego diríjase a la(s) página(s) indicada(s) en este índice para ubicar la parte buscada. Siga las instrucciones de los pasos 3 y 4 indicados en esta página.



## NOTICE

This manual lists parts used in the applicable machine models identified on the front cover and subsequent models.

This manual lists optional parts. Optional parts are not specific to the machine delivered. Make sure of your machine specifications when ordering.

### 1. HOW TO ORDER PARTS

When ordering parts, be prepared to supply your dealer with the following information:

1. Machine Model Identification
2. Machine Serial Number and Engine Number
3. Part Number of item to be ordered
4. Part Name of item to be ordered
5. Quantity of item to be ordered

#### EXAMPLE

1. MODEL: XXXXXX
2. SERIAL NUMBER: XXXXXX
3. PART NUMBER: XXXXXX
4. PART NAME: XXXXXX
5. QUANTITY: XX

### 2. ABBREVIATIONS

ASSY - ASSEMBLY  
ATT - ATTACHMENT  
CONV - CONVERTER  
ELEC - ELECTRICAL  
ENGL - ENGLISH  
FR - FRONT  
HYDR - HYDRAULIC  
INST - INSTRUMENT  
INSTAL - INSTALLATION  
JAPA - JAPANESE  
L.H. - LEFT HAND  
LOW - LOWER  
LUB - LUBRICATION  
PRESS - PRESSURE  
QTY - QUANTITY  
RADIA - RADIATOR  
RE - REAR  
R.H. - RIGHT HAND

**2. ABBREVIATIONS (CONT'D)**

STR - STEERING  
 TBA - TO BE ANNOUNCED  
 TEMP - TEMPERATURE  
 UPP - UPPER

**3. COUNTRY CODES**

KAI - KOBELCO AMERICA INC.  
 N.A. - NORTH AMERICA  
 S.A. - SOUTH AMERICA  
 EC - EUROPEAN COUNCIL  
 GER - GERMANY  
 M.E. - MIDDLE EAST

**SERIAL NUMBER TO BUILD DATE REFERENCE TABLE**

<b>1998</b>	<b>January</b>	<b>February</b>	<b>March</b>	<b>April</b>	<b>May</b>	<b>June</b>	<b>July</b>	<b>August</b>	<b>September</b>	<b>October</b>	<b>November</b>	<b>December</b>
ED180								YMU18922 (PROTOTYPE)				

<b>1999</b>	<b>January</b>	<b>February</b>	<b>March</b>	<b>April</b>	<b>May</b>	<b>June</b>	<b>July</b>	<b>August</b>	<b>September</b>	<b>October</b>	<b>November</b>	<b>December</b>
ED180		YLU0001			LU0012	YLU0020	YLU0030	YLU0045	YLU0060			

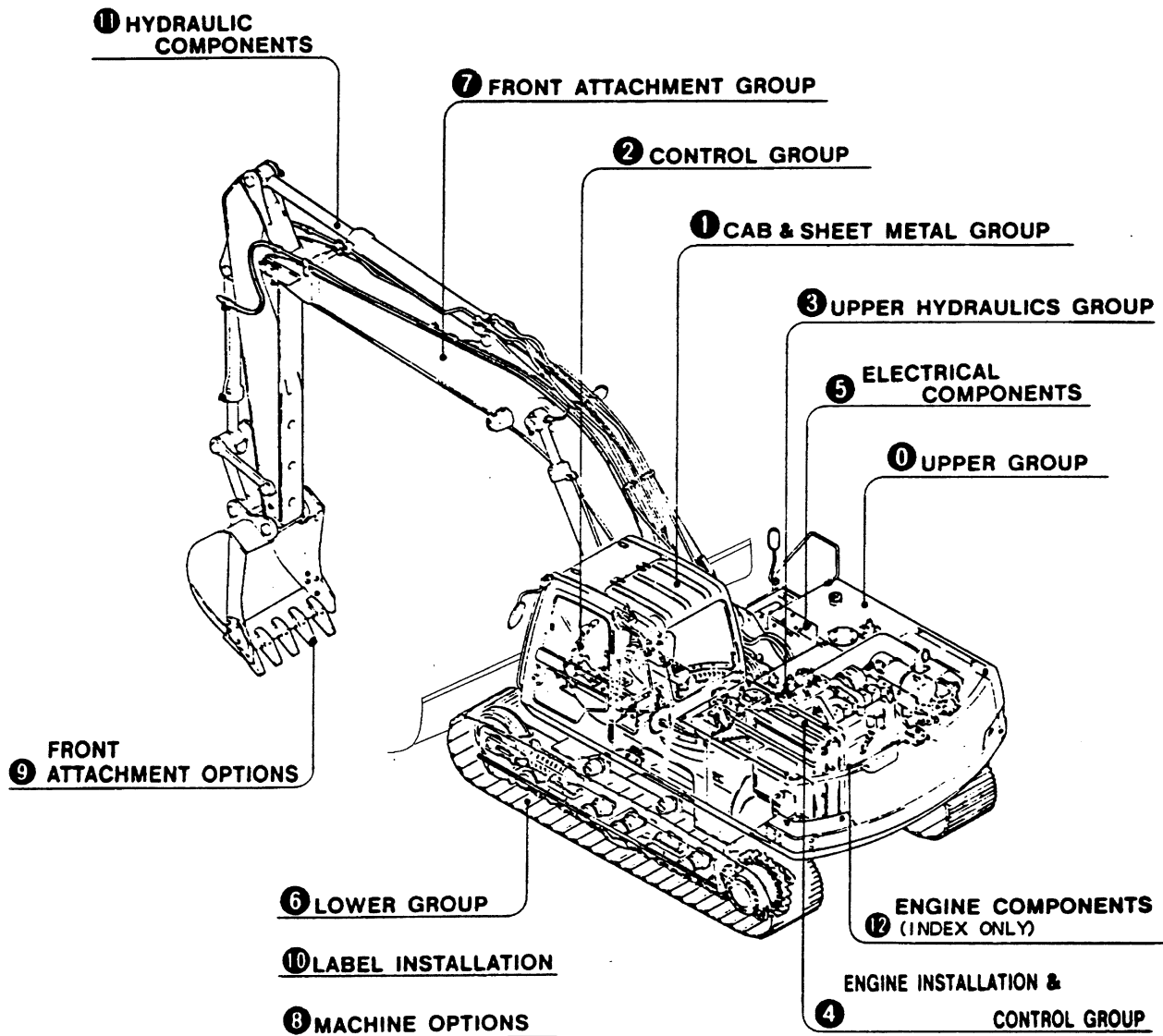
<b>NO FURTHER DATA AVAILABLE          AT TIME OF PRINTING</b>
---

**APPROXIMATE STARTING SERIAL NUMBERS OF MACHINES MANUFACTURED  
 DURING THE FIRST WEEK OF EACH MONTH AS INDICATED.**

**USE FOR REFERENCE WHEN ORDERING PARTS HAVING START / STOP EFFECTIVE DATES.**



# VISUAL INDEX



# TABLE OF CONTENTS

## 00. GENERAL MAINTENANCE

FILTER LIST .....	004-49-1
HYDRAULIC SERVICE COMPONENTS .....	005-01-1
HYDRAULIC LINE WRENCHES .....	005-01-2
KOBELCO OILS AND LUBRICANTS .....	005-01-2
KOBELCO PAINTS .....	005-01-2
KOBELCO WIRING HARNESS MASTER REPAIR KIT .....	005-01-3

## 0. UPPER GROUP

UPPER FRAME ASSEMBLY .....	011-49-1
UPPER FRAME (REWORK - AUXILIARY/AUXILIARY AND BREAKER) .....	014-72-1
COUNTERWEIGHT ASSEMBLY (CAST) .....	015-49-1
WING MOTOR ASSEMBLY .....	025-49-1
HYDRAULIC TANK ASSEMBLY .....	041-49-1
FUEL TANK ASSEMBLY .....	045-49-1

## 1. CAB & SHEET METAL GROUP

CAB INSTALLATION .....	051-49-1
CAB ASSEMBLY .....	055-49-1
FLOOR PLATE ASSEMBLY .....	064-49-1
SEAT GROUP .....	071-49-1
SEAT ASSEMBLY .....	074-49-1
MACHINERY COVERS & SHEET METAL (GUARD ASSY) .....	081-49-1
COVER ASSEMBLY (ENGINE HOOD) .....	101-49-1
UNDER COVER ASSEMBLY .....	115-49-1

## 2. CONTROL GROUP

CONTROLS, OPERATORS .....	121-49-1
CONTROL BOX ASSEMBLY .....	124-49-1
REMOTE CONTROL ASSEMBLY (PILOT LINES) .....	161-49-1
REWORK, REMOTE CONTROL (AUXILIARY/AUXILIARY BREAKER) .....	161-62-1
REWORK REMOTE CONTROL ASSEMBLY (DOZER) .....	161-72-1
FOOT PEDAL & CONTROL LEVER ASSEMBLY .....	201-49-1

## 3. UPPER HYDRAULIC GROUP

UPPER HYDRAULICS (STANDARD) .....	221-49-1
UPPER HYDRAULICS (REWORK FOR AUXILIARY/AUXILIARY BREAKER) ....	221-60-1
SWING PRIORITY KIT .....	224-49-1

# TABLE OF CONTENTS

## 4. ENGINE INSTALLATION & CONTROL GROUP

POWER PLANT ASSEMBLY .....	291-49-1
ENGINE ASSEMBLY .....	295-49-1
POWER TAKE-OFF ASSEMBLY (HYDRAULIC PUMP) .....	301-49-1
AIR CLEANER ASSEMBLY .....	318-49-1
RADIATOR & COOLER ASSEMBLY .....	321-49-1
ENGINE THROTTLE CONTROL ASSEMBLY (STEPPING MOTOR) .....	371-49-1
INSTRUMENT PANEL ASSEMBLY .....	381-49-1
CONTROLLER INSTALLATION .....	384-49-1
CONTROLLER ASSEMBLY (TYPICAL VIEW) .....	384-49-2
CONTROLLER ASSEMBLY .....	385-49-1
CLUSTER GAUGE ASSEMBLY .....	386-49-1
FUSE BOX ASSEMBLY .....	387-49-1
HEATER & DEFROSTER INSTALLATION (RED DOT R-1550) .....	392-49-1
HEATER ASSEMBLY (RED DOT R-1550) .....	393-49-1
CONTROL PANEL ASSEMBLY (RED DOT R-1550) .....	394-49-1
HEATER INSTALLATION .....	395-49-1
HEATER AND HEATER AIR CONDITIONER ASSEMBLY (RED DOT R-1550) ...	398-49-1
AIR CONDITIONER KIT INSTALLATION (RED DOT R-1550) .....	399-49-1

## 5. ELECTRICAL COMPONENTS

ELECTRICAL WIRING ASSEMBLY .....	411-49-1
HARNESS ASSEMBLY (INSTRUMENT PANEL) .....	415-49-1
HARNESS ASSEMBLY (INSTR. PANEL - AUX, AUX/BREAKER) .....	415-62-1
HARNESS ASSEMBLY (CONTROLLER) .....	416-49-1
BATTERY ASSEMBLY .....	421-49-1
LAMP ASSEMBLY (COMPLETE MACHINE) .....	423-49-1
SWING FLASHER ASSEMBLY (RED) .....	427-49-1
REAR LAMP ASSEMBLY (CLEAR) .....	428-49-1

## 6. LOWER GROUP

LONG CRAWLER - (LC) .....	444-49-1
IDLER ASSEMBLY .....	451-49-1
LOWER ROLLER ASSEMBLY .....	461-49-1
LOWER ROLLER ASSEMBLY .....	461A-49-1
UPPER ROLLER ASSEMBLY .....	467-49-1
IDLER ADJUSTER ASSEMBLY .....	471-49-1
PROPEL MOTOR ASSEMBLY .....	481-49-1
SLEWING RING ASSEMBLY .....	487-49-1
LOWER HYDRAULICS (DOZER) .....	494-49-1
CRAWLER TRACK INSTALLATION (DOZER) .....	516-49-1
DOZER INSTALLATION .....	598-49-1
DOZER BLADE INSTALLATION .....	599-01-1
C-FRAME ASSEMBLY .....	599-02-1

# TABLE OF CONTENTS

BLADE ASSEMBLY .....	599-03-1
PITCH LINK.....	599-04-1
HYD. PIPING KIT .....	599-05-1

## 7. FRONT ATTACHMENTS GROUP

BOOM ASSEMBLY, 5.15M STANDARD .....	621-49-1
BOOM ASSEMBLY, 5.15M (AUXILIARY & BREAKER) .....	621-62-1
BOOM ASSEMBLY, 5.15M (AUXILIARY) .....	621-73-1
ARM ASSEMBLY, 3.06M .....	631-49-1
ARM ASSEMBLY, 2.94M (AUXILIARY & BREAKER) .....	631-62-1
ARM ASSEMBLY, 3.06M (AUXILIARY) .....	631-73-1
BUCKET ASSEMBLY, STANDARD .....	641-49-1

## 8. MACHINE OPTIONS

VANDALISM GUARD ASSEMBLY, CAB.....	711-49-1
VANDALISM PROTECTION GROUP .....	712-49-1
SEAT BELT ASSEMBLY .....	721-49-1
REWORK, CONTROL SYSTEM (AUTO WARM-UP) .....	780-49-1
FAN INSTALLATION .....	794-49-1
TRAVEL ALARM ASSEMBLY .....	798-49-1
REWORK, LOW FRAME (BELLY PAN KIT) .....	801-49-1

## 9. FRONT ATTACHMENT OPTIONS

ARM REINFORCEMENT KIT .....	862-49-1
-----------------------------	----------

## 10. LABEL INSTALLATION

NAME PLATE INSTALLATION .....	961-49-1
NAME PLATE INSTALL (VANDAL GUARDS).....	962-49-1
TOOL ASSEMBLY .....	981-49-1
ELEMENT KIT .....	986-49-1

## 11. HYDRAULIC COMPONENTS

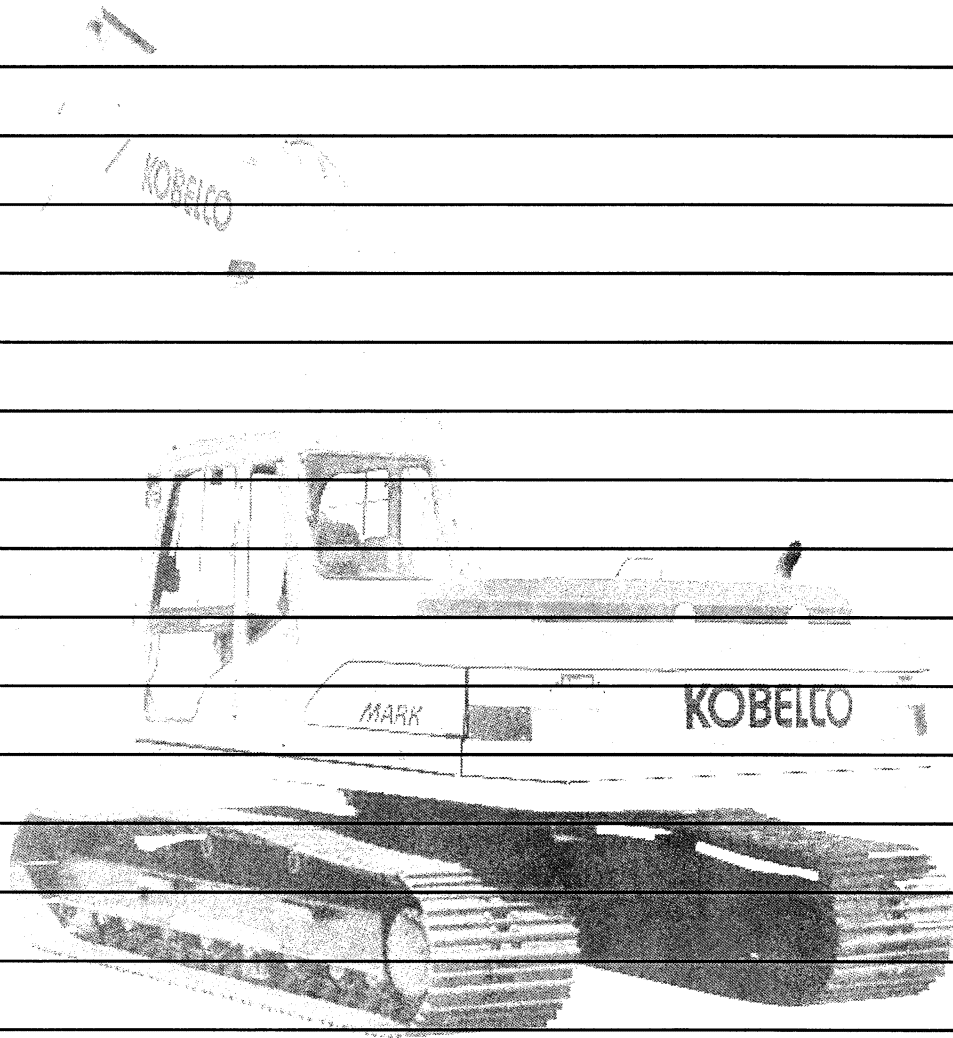
1 CONTROL VALVES .....	HC3
2 SWING & PROPEL MOTORS AND VALVES .....	HC17
3 PUMPS .....	HC39
4 CYLINDERS .....	HC51
5 OTHER .....	HC67

## 12. ENGINE COMPONENTS

CUMMINS OPTIONS SPECIFICATIONS (N.A.) (S.A.) .....	EC1
--	-----

YLU0001~

# NOTES



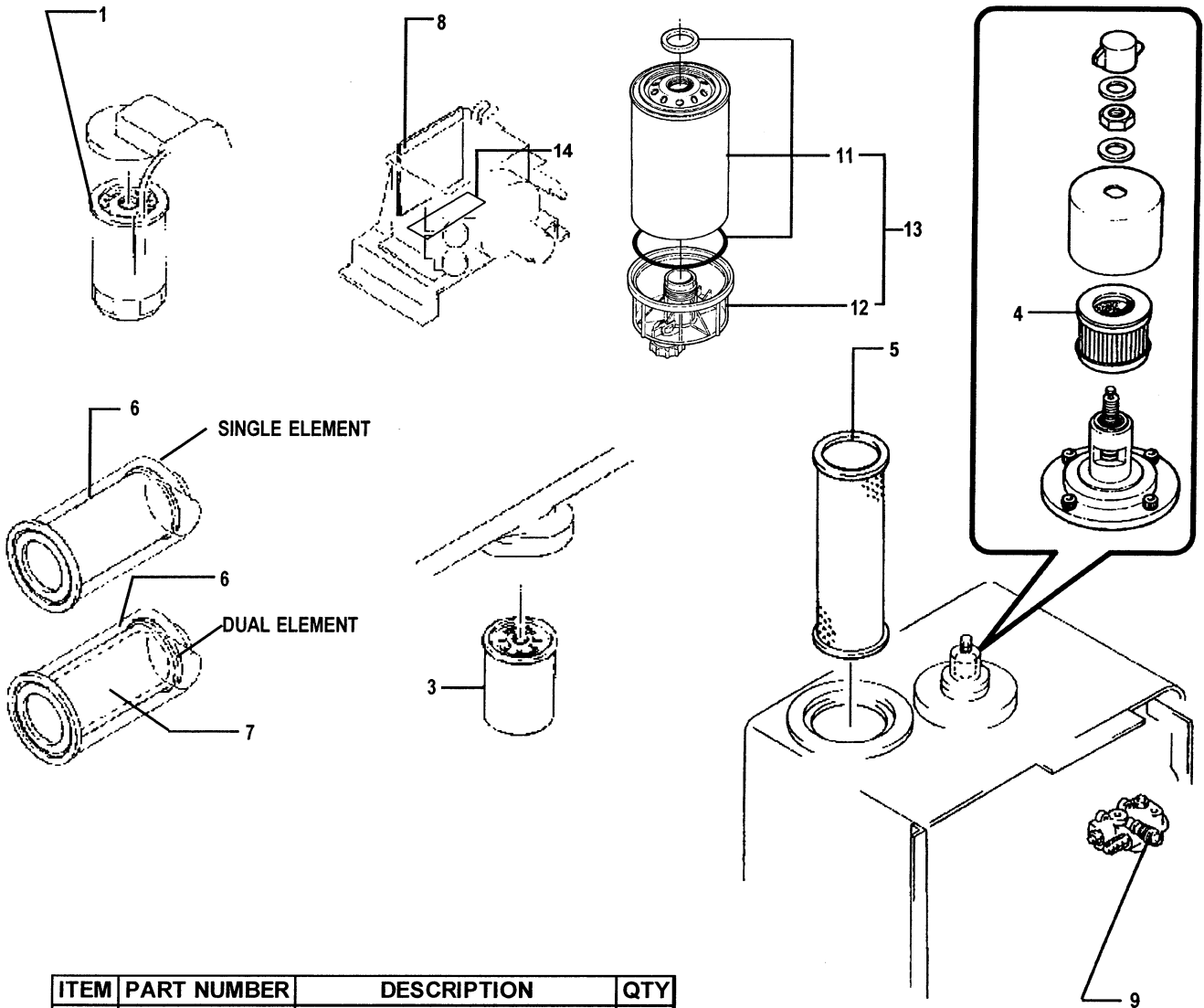
## 00. GENERAL MAINTENANCE

FILTER LIST .....	004-49-1
HYDRAULIC SERVICE COMPONENTS .....	005-01-1
HYDRAULIC LINE WRENCHES .....	005-01-2
KOBELCO OILS AND LUBRICANTS .....	005-01-2
KOBELCO PAINTS .....	005-01-2
KOBELCO WIRING HARNESS MASTER REPAIR KIT .....	005-01-3



# FILTER LIST

YLU0001~



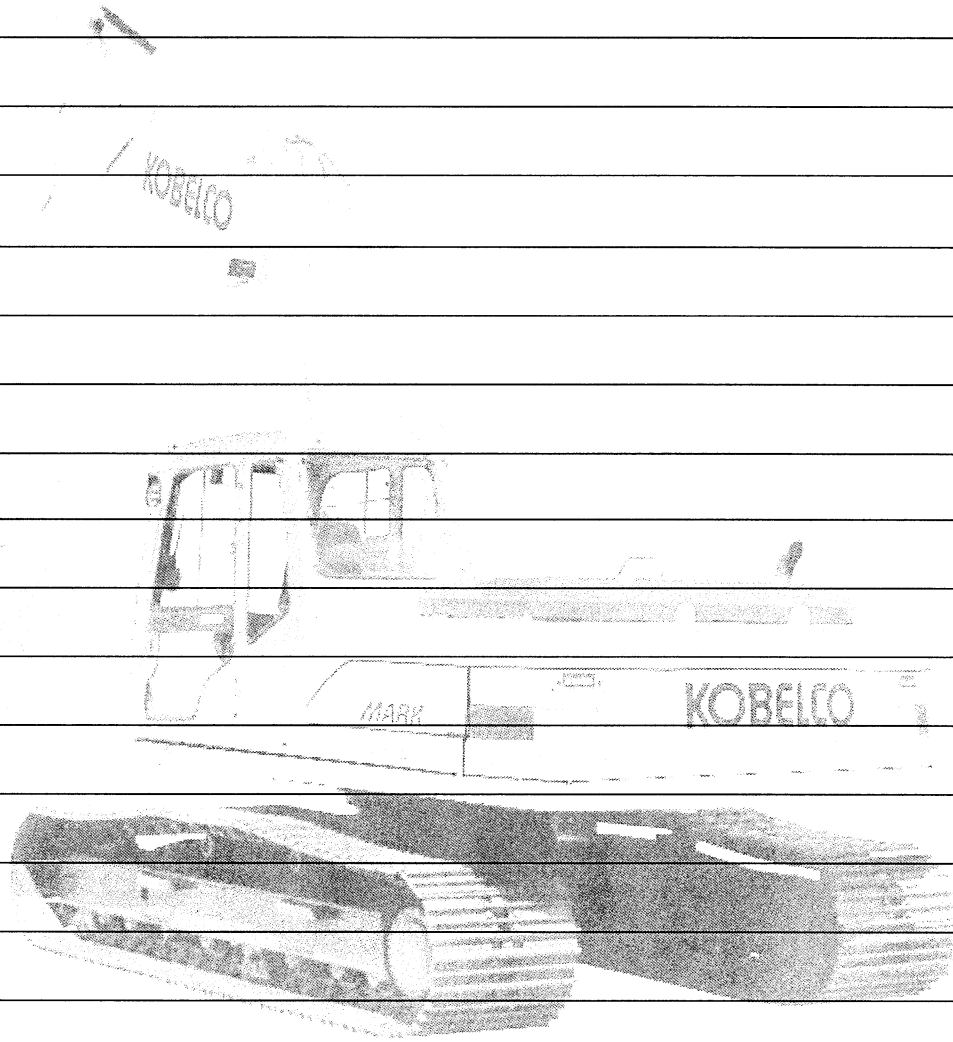
ITEM	PART NUMBER	DESCRIPTION	QTY
1	YN50VU0001D9 (3908616*)	OIL FILTER	1
3	YN50VU0001D3 (3903640*)	FUEL FILTER, SECONDARY	1
4	2446U260S2	FILTER-ELEMENT, HYD. BREATHER	1
5	YN50V00006F3 (24046Z15)	FILTER-ELEMENT, HYD. TANK	1
6	2446R277S5	FILTER-ELEMENT, OUTER AIR	1
7	2446R277S6	FILTER-ELEMENT, INNER AIR	1
8	24100U1479S018	FILTER-ELEMENT, HEATER	1
9	2446R351F1	FILTER-ELEMENT, PILOT	1
10	2446U232S2	FILTER-ELEMENT, PILOT LINES	1
11	YN02PU1010P1	FUEL PRE-FILTER	1
12	YN02PU1004S003	PRE-FILTER BOWL	1
13	YN02PU1004S002	FILTER ASSY (w /bow l)	1
14	24100U1476S074	RECIRCULATION FILTER, A/C	1

HYD BREAKER

\* = Cummins Part

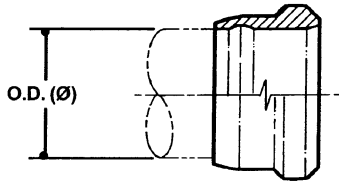


# NOTES



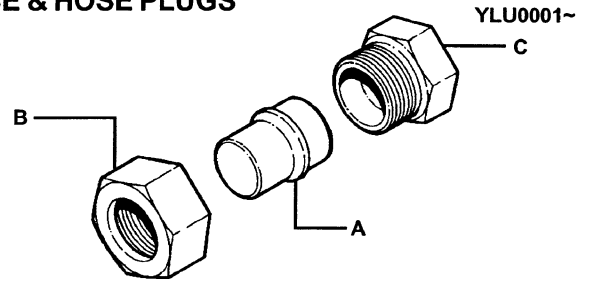
# HYDRAULIC SERVICE COMPONENTS

## TUBE SLEEVES



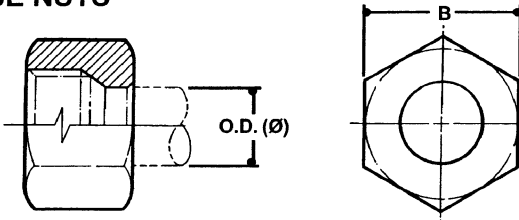
TUBE O.D. (Ø)	PART NUMBER	
	IHARA KOATO	NIPPON A.M.C.
6	ZF93S06000	-
8	ZF93S08000	-
10	ZF93S10000	ZA93S10000
12	ZF93S12000	-
15	ZF93S15000	ZA93S15000
18	ZF93S18000	ZA93S18000
22	ZF93S22000	ZA93S22000
28	ZF93S28000	ZA93S28000
32	ZF93S32000	-
35	ZF93S35000	ZA93S35000
38	ZF93S38000	-

## TUBE & HOSE PLUGS



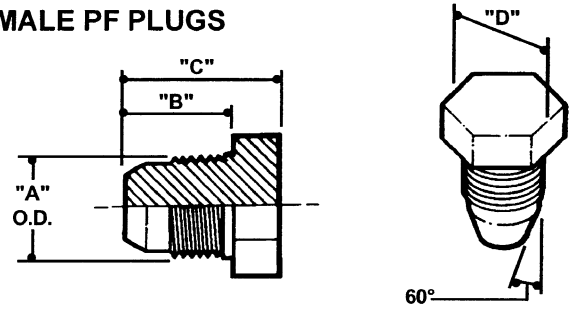
TUBE DIA.	"A" INTERNAL (For Hose End)	"B" NUT (Use With "A")	"C" EXTERNAL (For Tube End)
10mm	ZF83P10000	ZF93N10000	ZF83H10000
15mm	ZF83P15000	ZF93N15000	ZF83H15000
18mm	ZF83P18000	ZF93N18000	ZF83H18000
22mm	2444T1338D4	ZF93N22000	2444T1329D4
28mm	ZF83P28000	ZF93N28000	2444T1329D5
35mm	ZF83P35000	ZF93N35000	ZF83H35000

## TUBE NUTS



TUBE O.D. (Ø)	PART NUMBER	
	IHARA KOATO	NIPPON A.M.C.
6	ZF93N06000	-
8	ZF93N08000	-
10	ZF93N10000	ZA93N10000
12	ZF93N12000	-
15	ZF93N15000	ZA93N15000
18	ZF93N18000	ZA93N18000
22	ZF93N22000	ZA93N22000
28	ZF93N28000	ZA93N28000
32	ZF93N32000	-
35	ZF93N35000	ZA93N35000
38	ZF93N38000	-

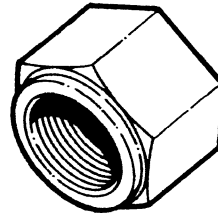
## MALE PF PLUGS



PLUG SIZE	PART NUMBER	"A" O.D.	"B" LENGTH	"C" LENGTH	"D" FLATS
PF 1/4	2444Z2728D1	13.5	16.5	24.5	14
PF 3/8	2444Z2728D2	16.6	17.5	25.5	17
PF 1/2	2444Z2728D3	20.6	20.0	31.0	22
PF 3/4	2444Z2728D4	26.2	21.5	34.0	27
PF 1	2444Z2728D5	33.3	23.5	36.0	36

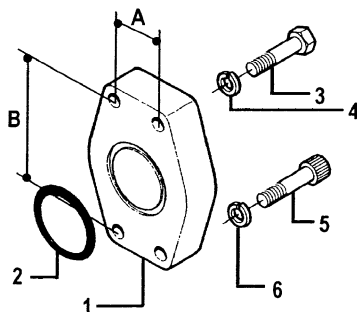
Unit: mm

## FEMALE PF CAPS



SIZE	PART NUMBER
PF 1/4	2444Z2729D1
PF 3/8	2444Z2729D2
PF 1/2	2444Z2729D3
PF 3/4	2444Z2729D4
PF 1	2444Z2729D5

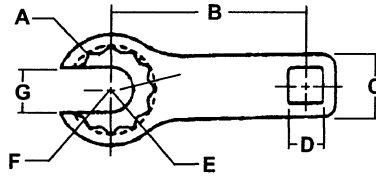
## 4-BOLT FLANGE CAPS



ITEM 1 (NOM. SIZE)	ITEM 2	ITEM 3	ITEM 4	ITEM 5	ITEM 6	DIM A	DIM B
ZE13Q08000	12.7(1/2")	2445Z831D1	ZS18C08030	ZW26X08000	ZS23C08030	ZW26K08000	18.24 (.72") 40.49 (1.59")
ZE13Q12000	19.1(3/4")	ZD12P02600	ZS18C10035	ZW26X10000	ZS23C10035	ZW26K10000	23.80 (.94") 50.80 (2.00")
ZE13Q16000	25.4(1.0")	ZD12P03400	ZS18C12040	ZW26X12000	ZS23C12040	ZW26K12000	27.76 (1.09") 57.15 (2.25")
ZE13Q20000	31.8(1.25")	ZD12P03800	ZS18C14045	ZW26X14000	ZS23C14045	ZW26K14000	31.75 (1.25") 66.68 (2.62")
ZE13Q24000	38.1(1.50")	ZD12P04800	ZS18C16050	ZW26X16000	ZS23C16050	ZW26K16000	36.50 (1.44") 79.38 (3.12")
ZE13Q32000	50.8(2.0")	2445Z831D2	ZS18C20065	ZW26X20000	ZS23C20065	ZW26K20000	44.45 (1.75") 96.82 (3.81")

UNIT: mm (inches)

## KOBELCO SPECIAL SPANNER WRENCHES for HYDRAULIC LINE CONNECTIONS



TUBE DIA.	PART No.	A	B	C	D	E	F	G
15 (.591)	2421T160	27 (1.06)	70 (2.76)	22 (.866)	12.7 (.50)	8 (.315)	40 (1.57)	16 (.630)
18 (.709)	2421T138	32 (1.26)	70 (2.76)	22 (.866)	12.7 (.50)	11 (.433)	42 (1.65)	19 (.748)
22 (.866)	2421T130	36 (1.42)	70 (2.76)	22 (.866)	12.7 (.50)	11.5 (.453)	48 (1.89)	23 (.906)
28 (1.10)	2421T115	41 (1.614)	109 (4.29)	22 (.866)	12.7 (.50)	14.5 (.571)	60 (2.36)	29 (1.14)
35 (1.38)	2421T314	55 (2.17)	90 (3.54)	45 (1.77)	20 (.787)	20.5 (.807)	81 (3.19)	41 (1.61)

Unit: mm (inches)

## KOBELCO LUBRICANTS AND PAINT

### KOBELCO (Brand) FLUIDS & LUBRICANTS

PART NUMBER	DESCRIPTION
KSP1000-1001	ENGINE OIL- SAE 15W/40 (QUARTS)
KSP1000-1005	ENGINE OIL- SAE 15W/40 (5 GALLON)
KSP1000-1055	ENGINE OIL- SAE 15W/40 (55 GALLON)
KSP1000-2005	HYDRAULIC OIL- AW 46 (5GALLON)
KSP1000-2055	HYDRAULIC OIL- AW 46 (55 GALLON)
KSP1000-4014	GREASE EP/2- 14 OUNCE
KSP1000-4035	GREASE EP/2- 35 POUNDS
KSP1000-120	GREASE EP/2- 120 POUNDS
KSP1000-3035	GEAR OIL 80W90- 5 GALLONS

### KOBELCO PAINTS

PART NUMBER	DESCRIPTION
KSP4000-101S	SILVER, 1 GALLON
KSP4000-201G	GRAY, 1 GALLON
KSP1000-801Y	YELLOW, 1 GALLON
KSP4000-112S	SILVER, SPRAY
KSP4000-212G	GRAY, SPRAY
KSP1000-812Y	YELLOW, SPRAY

# **KOBELCO WIRING HARNESS & CONNECTOR MASTER REPAIR KIT**

**24100J18668F1**

<b>PART NUMBER</b>	<b>DESCRIPTION</b>
24100J18668F1	<p>MASTER REPAIR KIT, HARNESS CONNECTOR</p> <p>CONTAINS 3,777 PIECES OF 137 DIFFERENT ITEMS; CONNECTORS, TERMINALS, SEALS, ETC. TO REPAIR KOBELCO WIRING HARNESSES AND CONNECTORS.</p> <p>CONTAINS SPECIAL RELEASE TOOL AND 2 STRIPPING AND CRIMPING TOOLS.</p> <p>INCLUDES THE GREEN 2P AND 5P DIODES, TAPES, ETC.</p>
	<p><b>REFER TO KAI SERVICE BULLETINS HE-290 AND HE-290S FOR FURTHER DETAILS.</b></p>