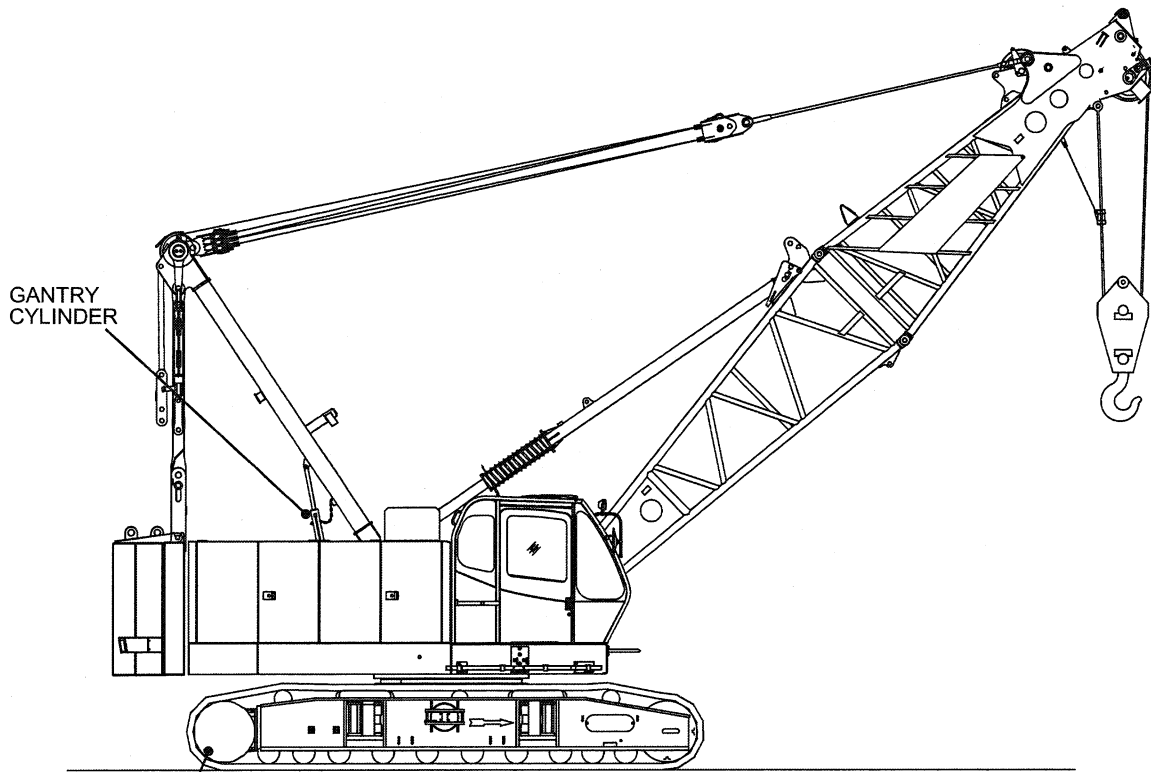


5. HYDRAULIC SYSTEM

5.1 LOCATION OF MAIN HYDRAULIC COMPONENTS

Location of Main Component



PROPEL MOTOR AND REDUCTION UNIT

