



# PARTS CATALOG

---

## 75SR Acera Hydraulic Excavator

APPLICABLE: ASN YT08-3001

S3YT00036ZE01

Issued 10/2013

Replaces:

Printed in U.S.A. Book/Form Number

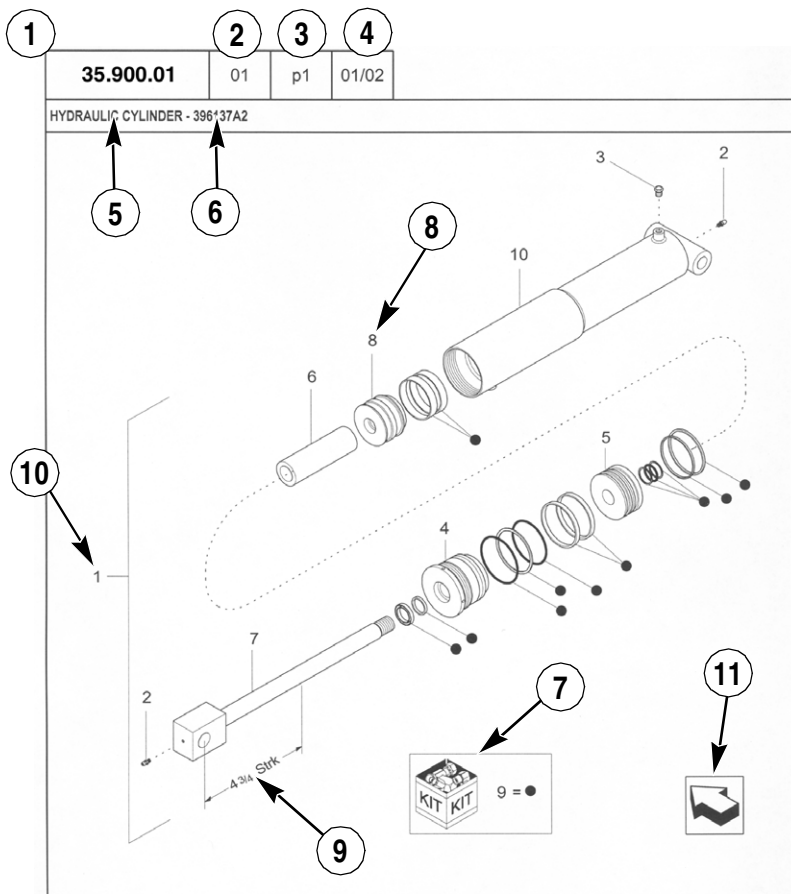
Copyright © 2009 Kobelco Construction Machinery America, LLC. All Rights Reserved

# GENERAL INFORMATION

1. Whenever the terms left and right are used, it should be understood to mean from a position facing in direction of travel.
2. Throughout this manual you may find common hardware not illustrated, but listed in the description column. The service part immediately preceding a hardware listing is the part using these particular items for mounting purposes. This hardware is not included with the service part or assembly when ordered as a replacement.
3. The illustrations show typical assemblies plus individual parts but in all cases may not show the exact shape or detail of parts required. However, the purpose for the illustrations is to identify parts performing like functions. Whenever possible illustrations are located at the beginning of each section or immediately adjacent to the applicable text.
4. CNH America LLC is continually striving to improve its products. We must, therefore, reserve the right to make improvements or changes when it becomes practical and possible to do so, without incurring any obligation to make changes or additions to the equipment sold previously.

**CNH America LLC, Racine, WI 53404 U.S.A.**

# How to Use Your Parts Catalog



HYDRAULIC CYLINDER - 396137A2					
REF	FN	PART NUMBER	YR/SN	QTY	DESCRIPTION
1	1	396137A2	BTW 01/85 & 02/02	1	CYLINDER ASSY. 4-3/4 in strk, Inc 2-10
2		31-95	Before 01/85	2	FITTING
2		219-8	From 01/85	2	NIPPLE, LUBE Grease, 1/4 tpr x 17/32
3		{402475A2}		1	BREATHER
4		402474A1		1	CAP CYLINDER END
5		402468A1	BSN JJC0189200	1	PISTON ROD/GLAND
5		145221C3	ASN JJC0189200	1	PISTON
6		402471A1		1	SPACER
7		402473A1		1	ROD, PISTON
8		402469A1		1	PISTON ROD/GLAND
9		402476A1		1	PACKAGE, SEALS
10		NSS		1	NOT SERVICED SEPARAT CASE ASSEMBLY
(1) 08-20					
STANDARD			MODELS		

---

# How to Use Your Parts Catalog

---

1. Figure Number
2. Sequence code within the Figure Number
3. Page number within the Sequence Code
4. Date of Printing (month / year)
5. Figure Description
6. General information regarding the figure
7. Parts supplied in repair kits per symbol reference
8. Figure call-out of the part number (REF)
9. Technical Specifications relating to the part indicated
10. Figure call-out includes bracketed items, the included items may also be listed in the additional description area
11. Orientation - Arrow indicates front of the machine
12. Footnote - Additional information relating to the part number. In this example, 08-20 equals another figure that this part is shown on.
13. Part Number
  - NSS = Non-serviced parts
  - Bracketed numbers = not available as service parts in this market
14. Not Available as service part in this market
15. YR/SN
  - Year
    - Before 01/85 = Part valid for production January 1985 and before
    - From 01/85 = Part valid for production from January 1985 and after
    - BTW 01/85 & 02/02 = Part valid for machines produced between January 1985 and February 2002.
  - Serial Number (P.I.N.)
    - BSN JJC0268800 = Part valid for serial number JJC0268800 and below
    - ASN JJC0268800 = Part valid for serial number JJC0268800 and above
    - BTW JJC0178000 & JJC0179000 = Part valid for serial numbers between JJC0178000 & JJC0179000
16. Total Quantity of the Part referred to in the page. The quantity can be replaced by the following indications:
  - AR = quantity as required
  - X = as required
17. Part Description
18. Additional description of the part to help confirm identification
19. Figure Notes
20. Model Number(s)

# Explanation of Abbreviations

Abbreviation	Meaning
adj	adjustable
amp	ampere
AR	As required
ASN	Serial number and after / P.I.N. and after
barb	barb
blkhd	bulkhead
boss	boss
BSN	before serial number / before P.I.N
BTW	between
cc	cubic centimetre
chain	chain
cl	class
cp pt	cup point
CRS	Chrome Alloy Steel
CST	Carbon Steel
cu yd	cubic yard
deg	degree
dia	diameter
dr type	drive type
dry	dry
fc	face
fc sl	face seal
fem	female
fem PT	female pipe thread
fl	flare
ft	feet (or foot)
gal	gallon(s)
gr	grade
hd	head
hp	horsepower
ID	inside diameter

Abbreviation	Meaning
in	inch(es)
Inc.	includes
inv fl	inverted flare
K	kilo
kg	kilogram
L	litre
lb	pound(s)
lg	long
LH	left hand
LH thd	left hand thread
links	links
M	(prefix) metric thread size
m	metre
male	male
mm	millimetre
NF	National Fine
No.	number
NS	National Super Fine
OD	outside diameter
ohm	electrical unit of resistance
Or	O-ring
orifice	orifice
P	pitch
piece	piece
psi	pounds per square inch
PT	pipe thread
rd	round
rd holes	round holes
RH	right hand
RH thd	right hand thread
rpm	revolutions per minute

---

# Explanation of Abbreviations

---

Abbreviation	Meaning
sl	self locking
slat	slat
spool	spool
sq	square
SST	Stainless Steel
st	self tapping
stem	stem
strk	stroke
sw	swivel
T	teeth
Teflon	Teflon
thin	thin
thk	thick
tpr	taper

Abbreviation	Meaning
tube	tube
type	type
V	volt(s)
W	watt(s)
way	way
wide	wide
X	as required
yd	yard

## Dimensions

Metric and U.S. hardware dimensions do not show the numeric designations of standard coarse threads. A number following a semi colon (;) is the class or grade of hardware. A comma (,) represents the decimal point (.) used in U.S. dimensions.



---

TABLE OF CONTENTS

---

88.100.99		ELEMENT, KIT
88.100.AH		TOOL & ACCESSORY
84.100.99		BUCKET INSTALLATION
84.100.AQ		BOOM, HOE 3.82M
84.910.AA	01	BOOM GROUP
84.910.AA	02	BOOM INSTALL
84.912.AA	01	ARM, LONG, 2.13M, N&B
84.912.AA	02	ARM, LONG, 1.71M, N&B
84.912.AA	04	ARM INSTALLATION
84.912.AA	05	ARM INSTALLATION
84.912.AA	06	ARM GROUP
84.912.AA	07	ARM GROUP
50.200.99	01	AIR CONDITIONER
50.200.99	02	AIR CONDITIONER
50.200.99	03	AIR CONDITIONER
50.200.99	04	AIR CONDITIONER
50.200.99	05	AIR CONDITIONER
50.200.99	06	AIR CONDITIONER
50.200.99	07	AIR CONDITIONER
50.200.99	08	AIR CONDITIONER
86.110.AD	01	DOZER INSTALLATION
86.110.AD	02	DOZER GROUP
86.110.AD	03	DOZER ASSY, 2300 MM
86.110.AD	04	DOZER ASSY, 2450 MM
55.000.AA		ENGINE, ELECTRIC SYSTEM CONTROL
55.100.DO		FUSE AND RELAY BOX, HAND CONTROL PROPORTIONAL
55.100.DP	01	HARNESS ASSY, CAB
55.100.DP	02	HARNESS ASSY, CAB (HAND CONTROL PROP)
55.100.DP	03	HARNESS ASSY, CAB (HAND CONTROL PROP)
55.100.DP	04	HARNESS ASSY, UPPER
55.100.DP	05	HARNESS ASSY, UPPER
55.100.DP	06	HARNESS ASSY, UPPER
55.100.DP	07	HARNESS ASSY, UPPER
55.100.DP	08	HARNESS ASSY, UPPER
55.100.DP	09	HARNESS ASSY, UPPER
55.100.DP	10	HARNESS ASSY, UPPER



---

TABLE OF CONTENTS

---

55.100.DP	11	HARNESS ASSY, UPPER
55.302.AG		BATTERY ASSY
55.404.99	01	LIGHT INSTALL (2 LIGHT)
55.404.99	02	LIGHT INSTALL (CAB, SUN VISOR)
55.404.AC	01	LIGHT ASSY
55.404.AC	02	LIGHT ASSY
55.404.AC	03	LIGHT ASSY
55.404.BS	01	LIGHT INSTALL, UPPER
55.404.BS	02	LIGHT INSTALL, BOOM
55.408.99	01	ALARM ASSY
55.408.99	02	ALARM ASSY
55.510.AF	01	CAB MAIN WIRE HARNESS, HAND CONTROL PROP
55.510.AF	02	CAB MAIN WIRE HARNESS, HAND CONTROL PROP
55.510.AG	01	CAB RIGHT SIDE WIRE HARNESS, HAND CONTROL PROPORTIONAL
55.512.AA		RADIO - INSTALL
55.512.BP	01	CONTROLLER, STD AND N&B
55.512.BP	02	CONTROLLER, STD AND N&B
55.512.BP	03	CONTROLLER, STD CONVERTER
55.512.BP	04	CONTROLLER, N&B CONVERTER
55.512.BQ	01	PANEL ASSY, INSTRUMENT, STD AND N & B
55.512.BQ	02	PANEL ASSY, INSTRUMENT, STD AND N & B
55.512.BQ	03	PANEL ASSY, INSTRUMENT, STD AND N & B
55.512.BQ	04	PANEL ASSY, INSTRUMENT, SWITCH, STD
55.512.BQ	05	PANEL ASSY, INSTRUMENT, SWITCH, N & B
55.515.AH		HARNESS ASSY, BOOM
55.518.AT		WINDSHIELD WASH RESERVOIR
55.518.BL		SUN VISOR ASSY
55.AAA.AA		ELECTRICAL ASSY, UPPER
10.001.AD	01	ENGINE
10.001.AD	02	ENGINE
10.202.AB		AIR CLEANER ASSY
10.216.AI		FUEL TANK INSTALL
10.218.AI	01	FUEL LINE
10.218.AI	02	FUEL LINE
10.218.AI	03	FUEL LINE
10.218.AI	04	FUEL LINE

---

TABLE OF CONTENTS

---

10.254.AI		MUFFLER, ASSY
10.400.BE	01	RADIATOR, GROUP
10.400.BE	02	RADIATOR, GROUP
10.400.BE	03	RADIATOR INSTALL
10.400.BE	04	RADIATOR INSTALL
10.400.BE	05	RADIATOR INSTALL
39.100.AB	01	FRAME, LOW GROUP
39.100.AB	02	FRAME, LOW GROUP, DOZER
39.100.AB	03	FRAME ASSY, LOW GROUP, DOZER
39.100.AH		CAP ASSEMBLY (YT01F01020F1 & YT01F01021F1)
39.101.AB		FRAME GROUP, UPPER
39.101.AC		FRAME, UPPER
39.103.99		SLEWING RING
39.110.AJ		STEP INSTAL
39.140.AM		COUNTERWEIGHT
35.100.BA	01	CONTROL LINE, MULTI
35.100.BA	02	CONTROL LINE, MULTI
35.100.BA	03	CONTROL LINE, MULTI
35.106.AD	01	PILOT VALVE
35.106.AD	02	PILOT VALVE
35.106.AD	03	PILOT VALVE
35.106.AN		POWER TAKE-OFF ASSY
35.204.BJ	01	CONTROL LINE, REMOTE, N & B
35.204.BJ	02	CONTROL LINE, REMOTE, DOZER
35.204.BJ	03	CONTROL LINE, REMOTE, MULTI + DOZER
35.204.BJ	04	CONTROL LINE, REMOTE
35.204.BJ	05	CONTROL LINE, REMOTE, MULTI +/- DOZER
35.204.BJ	06	CONTROL LINE, REMOTE, MULTI LESS, DOZER
35.204.BJ	07	CONTROL LINE, REMOTE, MULTI LESS, DOZER
35.204.BL		GRIP ASSY
35.220.AA	01	HYDRAULIC PUMP, ASSY
35.220.AA	02	HYDRAULIC PUMP, ASSY
35.220.AA	03	HYDRAULIC PUMP, ASSY
35.220.AE		FILTER ASSY, INLINE
35.300.AQ	01	HYDRAULIC OIL RESERVOIR
35.300.AQ	02	HYDRAULIC OIL RESERVOIR, N & B

---

TABLE OF CONTENTS

---

35.310.AA	01	CONTROL LINES, BLOCK
35.310.AA	02	CONTROL LINES, BLOCK
35.310.AA	03	CONTROL LINES, BLOCK
35.310.AF	01	HYDRAULIC LINE, UPPER
35.310.AF	02	HYDRAULIC LINE, UPPER, N & B
35.310.AF	03	HYDRAULIC LINE, UPPER, N & B + DOZER
35.310.AF	04	HYDRAULIC LINE, UPPER, N & B + DOZER
35.310.AF	05	HYDRAULIC LINE, UPPER, N & B + DOZER
35.310.AF	06	HYDRAULIC LINE, UPPER, N & B + DOZER
35.310.AF	07	HYDRAULIC LINE, UPPER, BOOM SAFETY LESS + DOZER
35.310.AF	08	HYDRAULIC LINE, UPPER, BOOM SAFETY LESS + DOZER
35.310.AF	09	HYDRAULIC LINE, UPPER, BOOM SAFETY LESS + DOZER
35.310.AF	10	HYDRAULIC LINE, PROPEL
35.310.AG	01	HYDRAULIC LINE, RETURN
35.310.AG	02	HYDRAULIC LINE, RETURN
35.310.AG	03	HYDRAULIC LINE, RETURN
35.310.AG	04	HYDRAULIC LINE, RETURN, N & B
35.310.AG	05	HYDRAULIC LINE, RETURN, N & B
35.310.AG	06	HYDRAULIC LINE, RETURN, N & B
35.310.AG	07	HYDRAULIC LINE, RETURN, N & B
35.322.AJ	01	HYDRAULIC LINE, PUMP
35.322.AJ	02	HYDRAULIC LINE, PUMP
35.322.AJ	03	HYDRAULIC LINE, PUMP
35.322.AJ	04	CONTROL LINE, PUMP
35.322.AJ	05	CONTROL LINE, PUMP
35.322.AW	01	CONTROL LINE, VALVE
35.322.AW	02	CONTROL LINE, VALVE
35.322.AW	03	CONTROL LINE, VALVE
35.322.AW	04	CONTROL LINE, PROPEL
35.350.AI	01	VALVE ASSY, SOLENOID
35.350.AI	02	VALVE ASSY, SOLENOID
35.352.AL	01	SWING MOTOR INSTALL
35.352.AL	02	SWING MOTOR INSTALL
35.352.AL	03	SWING MOTOR INSTALL
35.352.AL	04	SWING MOTOR INSTALL
35.353.AD	01	MOTOR INSTALL, PROPEL

---

TABLE OF CONTENTS

---

35.353.AD	02	MOTOR, PROPEL
35.353.AD	03	MOTOR, PROPEL
35.353.AD	04	MOTOR, PROPEL
35.354.AA	01	JOINT INSTALL, SWIVEL
35.354.AA	02	JOINT, SWIVEL
35.354.AF	01	HYDRAULIC LINE, SWIVEL
35.354.AF	02	HYD. LINE, SWIVEL
35.354.AF	03	HYD. LINE, LOW
35.355.99	01	CONTROLS, OPERATORS
35.355.99	02	CONTROLS, OPERATORS
35.355.99	03	CONTROLS, OPERATORS, N & B
35.355.AK		CONTROL, ASSY, DOZER
35.356.AK	01	LEVER ASSY, PROPEL
35.356.AK	02	PEDAL ASSY
35.356.AK	03	PEDAL ASSY
35.356.AV	02	COMMAND VALVE
35.356.AV	03	COMMAND VALVE
35.356.AV	04	PILOT VALVE
35.359.AB		CONTROL VALVE
35.359.AE	01	CONTROL LINE, MAIN
35.359.AE	02	CONTROL LINE, MAIN
35.359.AE	03	CONTROL LINE, MAIN
35.359.AG	01	CONTROL VALVE ASSY
35.359.AG	02	CONTROL VALVE ASSY
35.359.AG	03	CONTROL VALVE ASSY
35.359.AG	04	CONTROL VALVE ASSY
35.359.AG	05	CONTROL VALVE ASSY
35.359.AW		SELECTOR VALVE
35.360.AL		VALVE, STOP
35.514.AD		CONNECTOR ASSY
35.560.AA		CLAMP ASSY
35.736.AA	01	BOOM CYLINDER INSTALLATION
35.736.AA	02	BOOM CYLINDER INSTALLATION
35.736.AC	02	HYDRAULIC LINE, BOOM 3.82M
35.736.AC	03	HYDRAULIC LINE, BOOM 3.82M N&B
35.736.AC	04	HYDRAULIC LINE, BOOM 3.82M, N&B

---

TABLE OF CONTENTS

---

35.736.AC	05	HYDRAULIC LINE, BOOM 3.82M
35.736.AC	06	HYDRAULIC LINE, CYLINDER, 1.71M
35.737.AA	01	ARM CYLINDER INSTALLATION
35.737.AA	02	ARM CYLINDER INSTALLATION
35.737.AA	03	HYDRAULIC LINES, ARM CYLINDER
35.737.AE	01	HYDRAULIC LINE, ARM 1.71M
35.737.AE	02	HYDRAULIC LINE, ARM 1.71M, N&B
35.737.AE	03	HYDRAULIC LINE, ARM 2.13M, N&B
35.737.AE	04	HYDRAULIC LINE, ARM 2.13M
35.738.AA	01	BUCKET CYLINDER
35.738.AA	02	BUCKET CYLINDER INSTALLATION
35.738.AE	01	HYDRAULIC LINE, CYLINDER
35.738.AE	02	HYDRAULIC LINE, CYLINDER, 2.13M
35.741.AA	01	CYLINDER INSTALLATION
35.741.AA	02	CYLINDER INSTALLATION
90.110.AP		FLOOR PLATE INSTALL
90.108.AF	01	NAMEPLATE INSTALL
90.108.AF	02	NAMEPLATE INSTALL
90.108.AF	03	NAME PLATE INSTALL
90.108.AF	04	NAME PLATE INSTALL
90.108.AF	05	NAME PLATE INSTALL
90.108.AF	06	NAME PLATE INSTALL
90.108.AF	07	NAMEPLATE
90.108.AF	08	NAMEPLATE
90.108.AF	09	NAMEPLATE
90.118.BM		MIRROR
90.118.BM	02	MIRROR
90.119.99	01	GUARD INSTALL
90.119.99	02	GUARD INSTALL
90.119.99	03	GUARD INSTALL
90.119.99	04	GUARD INSTALL
90.119.99	05	GUARD INSTALL
90.119.99	06	GUARD INSTALL
90.119.99	07	GUARD INSTALL
90.119.99	08	GUARD INSTALL
90.119.99	09	GUARD INSTALL

---

## TABLE OF CONTENTS

---

90.119.99	10	GUARD INSTALL
90.120.AD		SEAT ASSEMBLY
90.150.99	01	INSULATION
90.150.99	02	CAB INSTALL
90.150.99	03	CAB INSTALL, GUARD
90.150.BJ		COVER ASSY, UNDER
90.150.BJ	01	CAB GUARD
90.150.BJ	02	CAB GUARD
90.150.BJ	03	CAB GUARD
90.151.AD		SEAT BELT
90.151.AD	01	SEAT BELT (3" WIDE)
90.151.AG		ARMREST
90.156.AI		CAB GLASS
90.160.BY	01	CONTROL BOX ASSY
00.000.00		PICTORIAL INDEX - MAIN SECTIONS
05.100.03		FILTERS & CAPACITIES
48.100.AD		SHOE ASSEMBLY (600MM)
48.100.AE		RUBBER, CRAWLER BELT
48.134.AA		IDLER ASSY
48.138.99		ROLLER ASSY, UPPER
48.138.AB		TRACK ROLLER ASSY



---

## SECTION INDEX

### Top Level

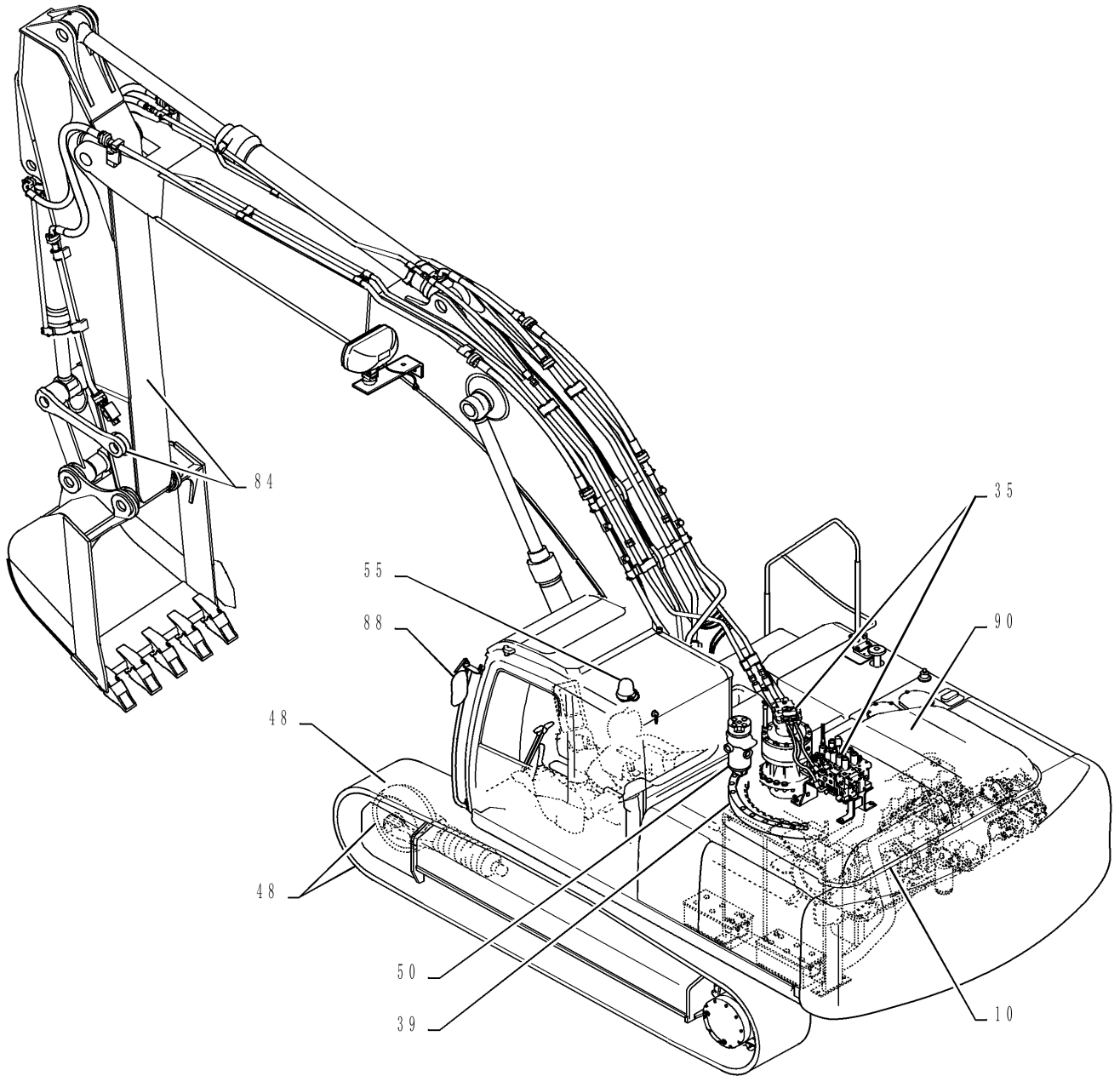
---

00.000.00	PICTORIAL INDEX - MAIN SECTIONS
05.100.03	FILTERS & CAPACITIES





PICTORIAL INDEX - MAIN SECTIONS



00.000.00

p1

10/201  
3

PICTORIAL INDEX - MAIN SECTIONS

REF FN	PART NUMBER	YR/SN	QTY	DESCRIPTION
--------	-------------	-------	-----	-------------

	75SR ACERA
--	------------

**05.100.03**

p1

10/201  
3

**FILTERS & CAPACITIES**

