



PARTS CATALOG

**260SR-3
Hydraulic Excavator
Tier IV**

APPLICABLE: ASN YU07-04001

S3YF00020ZE01

Issued 10/2013

Replaces:

Printed in U.S.A.

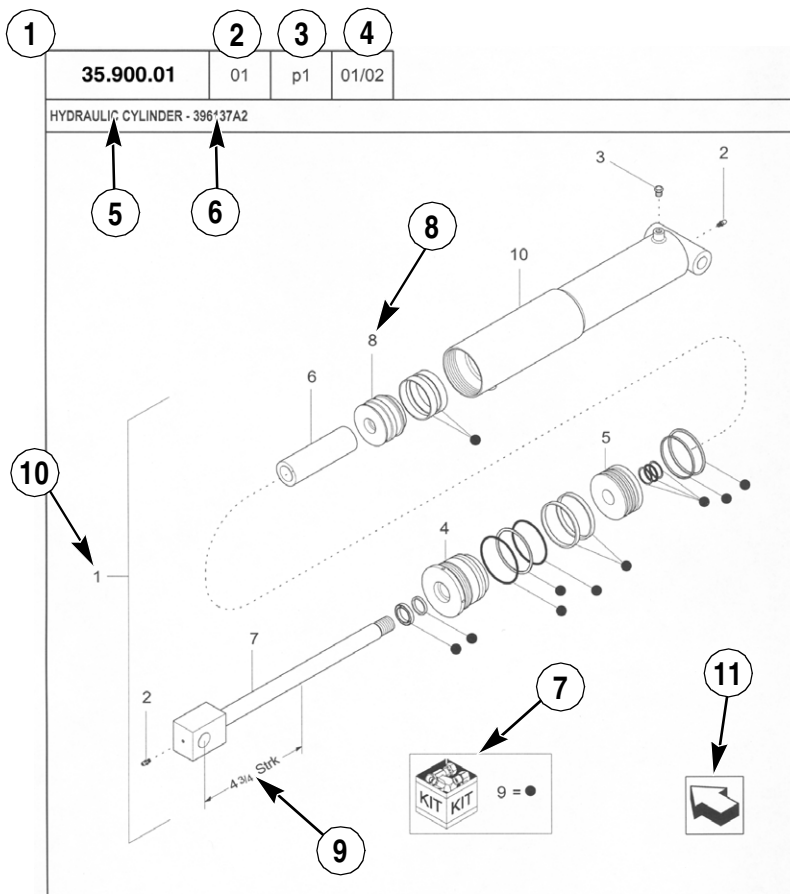
Copyright © 2009 Kobelco Construction Machinery America, LLC. All Rights Reserved

GENERAL INFORMATION

1. Whenever the terms left and right are used, it should be understood to mean from a position facing in direction of travel.
2. Throughout this manual you may find common hardware not illustrated, but listed in the description column. The service part immediately preceding a hardware listing is the part using these particular items for mounting purposes. This hardware is not included with the service part or assembly when ordered as a replacement.
3. The illustrations show typical assemblies plus individual parts but in all cases may not show the exact shape or detail of parts required. However, the purpose for the illustrations is to identify parts performing like functions. Whenever possible illustrations are located at the beginning of each section or immediately adjacent to the applicable text.
4. CNH America LLC is continually striving to improve its products. We must, therefore, reserve the right to make improvements or changes when it becomes practical and possible to do so, without incurring any obligation to make changes or additions to the equipment sold previously.

CNH America LLC, Racine, WI 53404 U.S.A.

How to Use Your Parts Catalog



| HYDRAULIC CYLINDER - 396137A2 | | | | | |
|-------------------------------|----|-------------|-------------------|-----|--|
| REF | FN | PART NUMBER | YR/SN | QTY | DESCRIPTION |
| 1 | 1 | 396137A2 | BTW 01/85 & 02/02 | 1 | CYLINDER ASSY. 4-3/4 in strk, Inc 2-10 |
| 2 | | 31-95 | Before 01/85 | 2 | FITTING |
| 2 | | 219-8 | From 01/85 | 2 | NIPPLE, LUBE Grease, 1/4 tpr x 17/32 |
| 3 | | {402475A2} | | 1 | BREATHER |
| 4 | | 402474A1 | | 1 | CAP CYLINDER END |
| 5 | | 402468A1 | BSN JJC0189200 | 1 | PISTON ROD/GLAND |
| 5 | | 145221C3 | ASN JJC0189200 | 1 | PISTON |
| 6 | | 402471A1 | | 1 | SPACER |
| 7 | | 402473A1 | | 1 | ROD, PISTON |
| 8 | | 402469A1 | | 1 | PISTON ROD/GLAND |
| 9 | | 402476A1 | | 1 | PACKAGE, SEALS |
| 10 | | NSS | | 1 | NOT SERVICED SEPARAT CASE ASSEMBLY |
| (1) 08-20 | | | | | |
| STANDARD | | | MODELS | | |

How to Use Your Parts Catalog

1. Figure Number
2. Sequence code within the Figure Number
3. Page number within the Sequence Code
4. Date of Printing (month / year)
5. Figure Description
6. General information regarding the figure
7. Parts supplied in repair kits per symbol reference
8. Figure call-out of the part number (REF)
9. Technical Specifications relating to the part indicated
10. Figure call-out includes bracketed items, the included items may also be listed in the additional description area
11. Orientation - Arrow indicates front of the machine
12. Footnote - Additional information relating to the part number. In this example, 08-20 equals another figure that this part is shown on.
13. Part Number
 - NSS = Non-serviced parts
 - Bracketed numbers = not available as service parts in this market
14. Not Available as service part in this market
15. YR/SN
 - Year
 - Before 01/85 = Part valid for production January 1985 and before
 - From 01/85 = Part valid for production from January 1985 and after
 - BTW 01/85 & 02/02 = Part valid for machines produced between January 1985 and February 2002.
 - Serial Number (P.I.N.)
 - BSN JJC0268800 = Part valid for serial number JJC0268800 and below
 - ASN JJC0268800 = Part valid for serial number JJC0268800 and above
 - BTW JJC0178000 & JJC0179000 = Part valid for serial numbers between JJC0178000 & JJC0179000
16. Total Quantity of the Part referred to in the page. The quantity can be replaced by the following indications:
 - AR = quantity as required
 - X = as required
17. Part Description
18. Additional description of the part to help confirm identification
19. Figure Notes
20. Model Number(s)

Explanation of Abbreviations

| Abbreviation | Meaning |
|--------------|--|
| adj | adjustable |
| amp | ampere |
| AR | As required |
| ASN | Serial number and after / P.I.N. and after |
| barb | barb |
| blkhd | bulkhead |
| boss | boss |
| BSN | before serial number / before P.I.N |
| BTW | between |
| cc | cubic centimetre |
| chain | chain |
| cl | class |
| cp pt | cup point |
| CRS | Chrome Alloy Steel |
| CST | Carbon Steel |
| cu yd | cubic yard |
| deg | degree |
| dia | diameter |
| dr type | drive type |
| dry | dry |
| fc | face |
| fc sl | face seal |
| fem | female |
| fem PT | female pipe thread |
| fl | flare |
| ft | feet (or foot) |
| gal | gallon(s) |
| gr | grade |
| hd | head |
| hp | horsepower |
| ID | inside diameter |

| Abbreviation | Meaning |
|--------------|-------------------------------|
| in | inch(es) |
| Inc. | includes |
| inv fl | inverted flare |
| K | kilo |
| kg | kilogram |
| L | litre |
| lb | pound(s) |
| lg | long |
| LH | left hand |
| LH thd | left hand thread |
| links | links |
| M | (prefix) metric thread size |
| m | metre |
| male | male |
| mm | millimetre |
| NF | National Fine |
| No. | number |
| NS | National Super Fine |
| OD | outside diameter |
| ohm | electrical unit of resistance |
| Or | O-ring |
| orifice | orifice |
| P | pitch |
| piece | piece |
| psi | pounds per square inch |
| PT | pipe thread |
| rd | round |
| rd holes | round holes |
| RH | right hand |
| RH thd | right hand thread |
| rpm | revolutions per minute |

Explanation of Abbreviations

| Abbreviation | Meaning |
|--------------|-----------------|
| sl | self locking |
| slat | slat |
| spool | spool |
| sq | square |
| SST | Stainless Steel |
| st | self tapping |
| stem | stem |
| strk | stroke |
| sw | swivel |
| T | teeth |
| Teflon | Teflon |
| thin | thin |
| thk | thick |
| tpr | taper |

| Abbreviation | Meaning |
|--------------|-------------|
| tube | tube |
| type | type |
| V | volt(s) |
| W | watt(s) |
| way | way |
| wide | wide |
| X | as required |
| yd | yard |

Dimensions

Metric and U.S. hardware dimensions do not show the numeric designations of standard coarse threads. A number following a semi colon (;) is the class or grade of hardware. A comma (,) represents the decimal point (.) used in U.S. dimensions.



TABLE OF CONTENTS

| | | |
|-----------|----|---|
| 88.000.00 | | ACCESSORIES |
| 88.100.10 | | ELEMENT KIT |
| 88.100.40 | | TOOL & ACCESSORY |
| 88.100.41 | | ENGINE ACCESSORY PARTS |
| 88.100.42 | | ENGINE ACCESSORY PARTS |
| 88.100.43 | | ENGINE ACCESSORY PARTS |
| 88.100.44 | | ENGINE ACCESSORY PARTS |
| 88.100.45 | | ENGINE ACCESSORY PARTS |
| 84.000.00 | | BOOMS, DIPPERS AND BUCKETS |
| 84.300.10 | | BUCKET INSTALL |
| 50.000.00 | | CAB CLIMATE CONTROL |
| 50.200.21 | | CONDITIONER, AIR |
| 50.200.22 | | CONDITIONER, AIR |
| 50.200.23 | | CONDITIONER, AIR |
| 50.200.24 | | CONDITIONER, AIR |
| 50.200.25 | | CONDITIONER, AIR |
| 50.200.26 | | CONDITIONER, AIR |
| 50.200.27 | | CONDITIONER, AIR |
| 55.000.00 | 01 | ELECTRICAL SYSTEMS |
| 55.000.00 | 02 | ELECTRICAL SYSTEMS |
| 55.100.10 | 01 | HARNESS ASSY, UPPER |
| 55.100.10 | 02 | HARNESS ASSY, UPPER |
| 55.100.10 | 03 | HARNESS ASSY, UPPER |
| 55.100.10 | 04 | HARNESS ASSY, UPPER |
| 55.100.10 | 05 | HARNESS ASSY, UPPER |
| 55.100.10 | 06 | HARNESS ASSY, UPPER |
| 55.100.10 | 07 | HARNESS ASSY, UPPER |
| 55.100.10 | 08 | HARNESS ASSY, UPPER |
| 55.100.10 | 09 | HARNESS ASSY, UPPER |
| 55.100.11 | 01 | HARNESS ASSY, UPPER |
| 55.100.11 | 02 | HARNESS ASSY, UPPER |
| 55.100.11 | 03 | HARNESS ASSY, UPPER |
| 55.100.12 | | HARNESS ASSY, UPPER |
| 55.100.13 | 01 | HARNESS ASSY, UPPER (PROPORTIONAL HAND CONTROL) |
| 55.100.13 | 02 | HARNESS ASSY, UPPER (PROPORTIONAL HAND CONTROL) |
| 55.100.13 | 03 | HARNESS ASSY, UPPER (PROPORTIONAL HAND CONTROL) |

TABLE OF CONTENTS

| | | |
|-----------|----|--------------------------------|
| 55.100.20 | | HARNESS ASSY, CAB |
| 55.100.21 | | HARNESS ASSY, CAB |
| 55.100.30 | | ELECTRICAL PARTS (ENGINE) |
| 55.100.31 | | ELECTRICAL PARTS (ENGINE) |
| 55.100.32 | | ELECTRICAL PARTS (ENGINE) |
| 55.100.33 | | ELECTRICAL PARTS (ENGINE) |
| 55.100.34 | | ELECTRICAL PARTS (ENGINE) |
| 55.100.35 | | ELECTRICAL PARTS (ENGINE) |
| 55.100.70 | | HARNESS ASSY, BOOM |
| 55.301.10 | | BATTERY ASSY |
| 55.404.10 | | LIGHT INSTALL, UPPER |
| 55.404.11 | | LIGHT INSTALL, BOOM |
| 55.404.12 | | LIGHT INSTALL (2 LIGHT) |
| 55.404.13 | | LIGHT INSTALL (CAB, SUN VISOR) |
| 55.404.20 | | LAMP INSTALL |
| 55.404.21 | | LAMP INSTALL |
| 55.408.00 | | ELEC ASSY, UPPER |
| 55.408.30 | | ALARM ASSY |
| 55.418.10 | 01 | PANEL ASSY, INSTRUM |
| 55.418.10 | 02 | PANEL ASSY, INSTRUM |
| 55.418.10 | 03 | PANEL ASSY, INSTRUM |
| 55.418.10 | 04 | PANEL ASSY, INSTRUM |
| 55.418.10 | 05 | PANEL ASSY, INSTRUM |
| 55.440.10 | | CONTROLLER INSTALL |
| 55.440.11 | | CONTROLLER INSTALL |
| 55.440.12 | | ENGINE CONTROL SYSTEM |
| 55.518.10 | | SUN VISOR ASSY |
| 55.518.20 | | TANK ASSY, WASHER |
| 55.564.01 | 01 | MONITOR INSTALL |
| 55.564.01 | 02 | MONITOR INSTALL |
| 55.564.01 | 03 | MONITOR INSTALL |
| 55.564.01 | 04 | MONITOR INSTALL |
| 55.564.01 | 05 | MONITOR INSTALL |
| 55.564.02 | 01 | MONITOR INSTALL |
| 55.564.02 | 02 | MONITOR INSTALL |
| 55.564.02 | 03 | MONITOR INSTALL |

TABLE OF CONTENTS

| | | |
|-----------|----|---|
| 55.564.02 | 04 | MONITOR INSTALL |
| 55.564.02 | 05 | MONITOR INSTALL |
| 10.000.00 | 01 | ENGINE |
| 10.000.00 | 02 | ENGINE |
| 10.000.01 | | GASKET KIT (ENGINE OVERHAUL) |
| 10.001.01 | | CYLINDER BLOCK |
| 10.001.02 | | CYLINDER BLOCK |
| 10.012.10 | | ENGINE INSTALL |
| 10.012.11 | | ENGINE INSTALL |
| 10.012.12 | | ENGINE INSTALL |
| 10.101.01 | | CYLINDER HEAD |
| 10.101.02 | | CYLINDER HEAD |
| 10.101.03 | | CYLINDER HEAD |
| 10.105.01 | | MAIN MOVING PARTS |
| 10.105.02 | | MAIN MOVING PARTS |
| 10.106.01 | | CAMSHAFT AND IDLE GEAR |
| 10.106.02 | | VALVE SYSTEM |
| 10.106.04 | | TIMING GEAR COVER AND FLYWHEEL HOUSINGMAIN MOVING |
| 10.202.20 | | AIR CLEANER ASSY |
| 10.202.21 | | AIR CLEANER ASSY |
| 10.214.10 | | FUEL LINES |
| 10.214.11 | | FUEL LINES |
| 10.214.12 | | FUEL SYSTEM |
| 10.214.13 | | FUEL SYSTEM |
| 10.214.14 | | FUEL SYSTEM |
| 10.214.15 | | FUEL SYSTEM |
| 10.214.16 | | FUEL SYSTEM |
| 10.214.17 | | FUEL SYSTEM |
| 10.216.10 | | FUEL TANK INSTALL |
| 10.250.01 | | TURBOCHARGER |
| 10.254.10 | | AIR INTAKE AND EXHAUST SYSTEM |
| 10.254.11 | | AIR INTAKE AND EXHAUST SYSTEM |
| 10.254.12 | | AIR INTAKE AND EXHAUST SYSTEM |
| 10.254.30 | | MUFFLER ASSY |
| 10.304.10 | | LUBRICATION |
| 10.304.11 | | LUBRICATION |

TABLE OF CONTENTS

| | | |
|-----------|----|--------------------------------|
| 10.400.01 | | COOLING SYSTEM |
| 10.406.10 | | RADIATOR GROUP |
| 10.406.11 | | RADIATOR GROUP |
| 10.406.12 | | RADIATOR GROUP |
| 10.406.20 | | RADIATOR INSTALL |
| 10.406.21 | | RADIATOR INSTALL |
| 10.406.22 | | RADIATOR INSTALL |
| 39.000.00 | 01 | FRAMES |
| 39.000.00 | 02 | FRAMES |
| 39.101.10 | | FRAME, UPPER |
| 39.101.20 | | FRAME GROUP, UPPER |
| 39.101.21 | | FRAME GROUP, UPPER |
| 39.101.22 | | FRAME GROUP, UPPER |
| 39.102.10 | | LOW GROUP (LONG CRAWLER) |
| 39.102.20 | | FRAME ASSY, LOW (LONG CRAWLER) |
| 39.102.30 | | RING ASSY, SLEWING |
| 39.105.10 | | ARM INSTALL |
| 39.105.20 | | CAP ASSY |
| 39.105.21 | | CAP ASSY |
| 39.105.22 | | CAP ASSY |
| 39.105.23 | | ARM |
| 39.105.24 | | ARM GROUP |
| 39.105.25 | | CAP ASSY |
| 39.105.30 | | BOOM INSTALL |
| 39.405.10 | | BOOM GROUP |
| 39.405.30 | | BOOM, HOE, 5.65M |
| 37.000.00 | | TOWING HOOKS AND BALLASTING |
| 37.140.10 | | COUNTERWEIGHT INSTALL |
| 37.140.11 | | COUNTERWEIGHT INSTALL |
| 37.140.12 | | COUNTERWEIGHT INSTALL |
| 35.000.00 | 01 | HYDRAULIC SYSTEMS |
| 35.000.00 | 02 | HYDRAULIC SYSTEMS |
| 35.000.00 | 03 | HYDRAULIC SYSTEMS |
| 35.000.00 | 04 | HYDRAULIC SYSTEMS |
| 35.106.50 | | POWER TAKE-OFF ASSY |
| 35.300.10 | | HYD TANK INSTALL |

TABLE OF CONTENTS

| | | |
|-----------|----|-------------------------------|
| 35.310.10 | | HYD LINES, LOW (LONG CRAWLER) |
| 35.310.11 | | HYD LINES, LOW (LONG CRAWLER) |
| 35.310.20 | | HYD LINES, UPPER |
| 35.310.21 | | HYD LINES, UPPER |
| 35.310.22 | | HYD LINES, UPPER |
| 35.310.23 | | HYD LINES, UPPER |
| 35.310.30 | | HYD LINES, PUMP |
| 35.310.31 | | HYD LINES, PUMP |
| 35.310.40 | | HYD LINES, RETURN |
| 35.310.41 | | HYD LINES, RETURN |
| 35.310.42 | | HYD LINES, RETURN |
| 35.310.50 | | HYD LINES, PROPEL |
| 35.310.60 | | HYD LINES, SWIVEL |
| 35.310.61 | | HYD LINES, SWIVEL |
| 35.322.02 | 01 | CONTROL LINES, MAIN |
| 35.322.02 | 02 | CONTROL LINES, MAIN |
| 35.322.02 | 03 | CONTROL LINES, MAIN |
| 35.322.02 | 04 | CONTROL LINES, MAIN |
| 35.322.10 | | CONTROL LINES, PUMP |
| 35.322.20 | | CONTROL LINES, PROPEL |
| 35.322.50 | | CONTROL LINES, BLOCK |
| 35.322.51 | | CONTROL LINES, BLOCK |
| 35.322.52 | | CONTROL LINES, BLOCK |
| 35.322.70 | | CONTROL LINES, VALVE |
| 35.322.71 | | CONTROL LINES, VALVE |
| 35.350.10 | | VALVE, PILOT |
| 35.350.11 | | VALVE, PILOT |
| 35.350.30 | | VALVE ASSY, RELIEF |
| 35.350.50 | | VALVE, SELECTOR |
| 35.350.51 | | VALVE, SELECTOR |
| 35.350.60 | | VALVE ASSY, SOLENOID |
| 35.350.61 | | VALVE ASSY, SOLENOID |
| 35.350.62 | | VALVE ASSY, SOLENOID |
| 35.350.63 | | VALVE ASSY, SOLENOID |
| 35.350.90 | | VALVE, STOP |
| 35.352.10 | | MOTOR INSTALL, SWING |

TABLE OF CONTENTS

| | |
|-----------|---|
| 35.352.20 | MOTOR ASSY, SWING |
| 35.352.21 | MOTOR ASSY, SWING |
| 35.353.10 | MOTOR INSTALL, PROPEL |
| 35.353.20 | MOTOR ASSY, PROPEL |
| 35.353.21 | MOTOR ASSY, PROPEL |
| 35.353.22 | MOTOR ASSY, PROPEL |
| 35.353.23 | MOTOR ASSY, PROPEL |
| 35.354.10 | JOINT INSTALL, SWIVEL |
| 35.354.20 | JOINT , SWIVEL |
| 35.355.10 | CONTROLS, OPERATORS (NIBBLER & BREAKER) |
| 35.355.11 | CONTROLS, OPERATORS |
| 35.355.12 | CONTROLS, OPERATORS (NIBBLER & BREAKER) |
| 35.355.13 | CONTROLS, OPERATORS (NIBBLER & BREAKER) |
| 35.355.14 | CONTROLS, OPERATORS (NIBBLER & BREAKER) |
| 35.355.15 | CONTROLS, OPERATORS (NIBBLER & BREAKER) |
| 35.355.16 | CONTROLS, OPERATORS (NIBBLER & BREAKER) |
| 35.355.17 | CONTROLS, OPERATORS (NIBBLER & BREAKER) |
| 35.355.18 | CONTROLS, OPERATORS (NIBBLER & BREAKER) |
| 35.355.19 | CONTROLS, OPERATORS (NIBBLER & BREAKER) |
| 35.355.20 | CONTROLS, OPERATORS (NIBBLER & BREAKER) |
| 35.355.40 | CONTROL LINES,REMOTE |
| 35.355.41 | CONTROL LINES,REMOTE |
| 35.355.42 | CONTROL LINES,REMOTE |
| 35.355.43 | CONTROL LINES,REMOTE |
| 35.355.44 | CONTROL LINES,REMOTE |
| 35.359.10 | VALVE INSTALL |
| 35.359.11 | VALVE INSTALL (NIBBLER & BREAKER) |
| 35.359.20 | VALVE ASSY, CONTROL |
| 35.359.21 | VALVE ASSY, CONTROL |
| 35.359.22 | VALVE ASSY, CONTROL |
| 35.359.23 | VALVE ASSY, CONTROL |
| 35.359.24 | VALVE ASSY, CONTROL |
| 35.359.25 | VALVE ASSY, CONTROL |
| 35.702.10 | CONNECTOR ASSY (NIBBLER & BREAKER) |
| 35.738.AA | 03 CYLINDER INSTALL (BUCKET) |
| 35.738.AA | 04 CYLINDER, BUCKET |

TABLE OF CONTENTS

| | | |
|-----------|----|------------------------------------|
| 35.900.10 | | HYD LINES, CYLINDER (ARM) |
| 35.900.11 | | HYD LINES, ARM |
| 35.900.12 | | HYD LINES, ARM |
| 35.900.20 | | HYD LINES, BOOM |
| 35.900.21 | | HYD LINES, BOOM |
| 35.900.22 | | HYD LINES, CYLINDER (BOOM) |
| 35.900.30 | | HYD LINES, CYLINDER (BUCKET) |
| 35.964.10 | | CYLINDER, ARM |
| 35.964.20 | | CYLINDER, BOOM |
| 35.964.40 | | CYLINDER INSTALL (ARM) |
| 35.964.50 | | CYLINDER INSTALL (BOOM) |
| 35.964.51 | | CYLINDER INSTALL (BOOM) |
| 05.100.20 | | FILTER LIST |
| 90.000.00 | 01 | PLATFORM, CAB, BODYWORK AND DECALS |
| 90.000.00 | 02 | PLATFORM, CAB, BODYWORK AND DECALS |
| 90.108.10 | 01 | NAME PLATE INSTALL |
| 90.108.10 | 02 | NAME PLATE INSTALL |
| 90.108.11 | | NAME PLATE INSTALL |
| 90.108.12 | 01 | NAME PLATE INSTALL |
| 90.108.12 | 02 | NAME PLATE INSTALL |
| 90.108.13 | | NAME PLATE INSTALL |
| 90.108.14 | | NAME PLATE INSTALL |
| 90.108.15 | | NAME PLATE INSTALL |
| 90.108.16 | | NAME PLATE INSTALL |
| 90.108.17 | | NAME PLATE INSTALL |
| 90.108.18 | | NAME PLATE INSTALL |
| 90.108.20 | | NAME PLATE INSTALL |
| 90.108.21 | | NAME PLATE INSTALL |
| 90.110.10 | | PLATE INSTALL, FLOOR |
| 90.110.11 | | PLATE INSTALL, FLOOR |
| 90.110.20 | | INSULATION INSTALL |
| 90.118.10 | | MIRROR INSTALL |
| 90.118.11 | | MIRROR INSTAL |
| 90.119.10 | 01 | GUARD INSTALL |
| 90.119.10 | 02 | GUARD INSTALL |
| 90.119.10 | 03 | GUARD INSTALL |

TABLE OF CONTENTS

| | | |
|-----------|----|-----------------------------------|
| 90.119.10 | 04 | GUARD INSTALL |
| 90.119.10 | 05 | GUARD INSTALL |
| 90.119.10 | 06 | GUARD INSTALL |
| 90.119.10 | 07 | GUARD INSTALL |
| 90.119.10 | 08 | GUARD INSTALL |
| 90.119.10 | 09 | GUARD INSTALL |
| 90.119.10 | 10 | GUARD INSTALL |
| 90.119.10 | 11 | GUARD INSTALL |
| 90.119.10 | 12 | GUARD INSTALL |
| 90.119.10 | 13 | GUARD INSTALL |
| 90.119.10 | 14 | GUARD INSTALL |
| 90.119.70 | | GUARD ASSY, CAB (VANDALIZM GUARD) |
| 90.119.71 | | GUARD ASSY, CAB (VANDALIZM GUARD) |
| 90.120.10 | | SEAT INSTALL |
| 90.120.11 | | SEAT INSTALL |
| 90.120.12 | | SEAT BELT ASSY |
| 90.130.10 | | COVER ASSY, UNDER |
| 90.130.11 | | COVER ASSY, UNDER |
| 90.150.10 | 01 | CAB INSTALL |
| 90.150.10 | 02 | CAB INSTALL |
| 90.150.10 | 03 | CAB INSTALL |
| 90.150.10 | 04 | CAB INSTALL |
| 90.150.10 | 05 | CAB INSTALL |
| 90.150.10 | 06 | CAB INSTALL |
| 90.150.10 | 07 | CAB INSTALL |
| 90.150.10 | 08 | CAB INSTALL |
| 90.150.10 | 09 | CAB INSTALL |
| 90.150.10 | 10 | CAB INSTALL |
| 90.150.10 | 11 | CAB INSTALL |
| 90.150.10 | 12 | CAB INSTALL |
| 90.150.10 | 13 | CAB INSTALL |
| 90.150.BJ | 01 | CAB GUARD |
| 90.150.BJ | 02 | CAB GUARD |
| 90.150.BJ | 03 | CAB GUARD |
| 90.151.AD | 01 | SEAT BELT (3" WIDE) |
| 90.600.01 | | PAINT COLOR |

TABLE OF CONTENTS

| | |
|-----------|-----------------------------------|
| 00.000.00 | MAIN SECTIONS |
| 48.000.00 | SUSPENSION & TRACKS |
| 48.100.10 | IDLER ASSY, CRAWLER |
| 48.100.11 | IDLER ASSY, CRAWLER |
| 48.100.12 | STEP INSTALL |
| 48.100.20 | SHOE ASSY (LONG CRAWLER 800MM) |
| 48.138.10 | ROLLER ASSY, UPPER |
| 48.138.20 | ROLLER ASSY, TRACK (LONG CRAWLER) |



SECTION INDEX

Top Level

00.000.00

MAIN SECTIONS

00.000.00

p1

9/2013

MAIN SECTIONS

