

# **SORENTO**

## **Body shop Manual**

### **FOREWORD**

This Body Shop Manual illustrates body structures and service procedures for the SORENTO.

This manual illustrates the replacement of major body panels, plastic parts, body dimensions, sealing treatment etc., in a systematic manner which is necessary for effective and lasting body repairs.

You are encouraged to become familiar with this manual and understand each section in order to perform proper repair procedures. Keep this manual in a convenient location so that it is readily available.

All information in this manual including specifications, data and illustrations is made based on the vehicles built at the time the manual was printed.

Information regarding the removal/replacement of components not specifically covered in this manual can be found in the SORENTO Service Manual. Information regarding electrical harness routing/connections, etc. can be found in the SORENTO Electrical Troubleshooting Manual.

The descriptions and specifications contained in this manual were in effect at the time this manual was approved for printing. Kia Motors Corporation reserves the right to discontinue models at any time, or change specifications or design without notice and without incurring obligation.

**Kia Motors Corporation  
SEOUL, KOREA**

Copyright © 2002, Kia Motors Corporation  
Printed in Korea, October 2002  
Pub. No.: A3EB-EG2OB(English)

### **CONTENTS**

<b>Title</b>	<b>Group</b>
<b>GENERAL INFORMATION</b>	<b>00</b>
<b>BODY STRUCTURE</b>	<b>11</b>
<b>REPLACING BODY PANELS</b>	<b>21</b>
<b>BODY DIMENSIONS</b>	<b>31</b>
<b>WATERPROOFING AND RUSTPROOFING</b>	<b>41</b>
<b>BODY MODIFICATION TOOLS</b>	<b>51</b>
<b>PLASTIC PARTS</b>	<b>61</b>

All rights reserved. No part of this publication may be reproduced, stored in any retrieval system or transmitted in any form or by any means without the prior written permission of Kia Motors Corporation.

## **WARNING**

Appropriate service methods and proper repair procedures are essential for the safe, reliable operation of all motor vehicles as well as the personal safety of the individual doing the repair. There are numerous variations in procedures, techniques, tools, and parts for servicing vehicles, as well as in the skill of the individual doing the work. This manual cannot possibly anticipate all such variations and provide advice or caution to each. Accordingly, anyone who departs from the instruction provided in this manual must first establish that he compromises neither his personal safety nor the vehicle integrity by his choice of methods, tools, or parts. The following list contains general warnings that should always be followed while working on a vehicle.

- Always wear safety glasses for eye protection.
- Use safety stands whenever a procedure requires underbody work.
- Be sure ignition switch is always off unless otherwise specified by a procedure.
- Set the parking brake when working on the vehicle.
- Operate the engine only in a well ventilated area.
- Keep clear of moving parts when engine is running.
- To prevent serious burns, avoid contact with hot metal parts such as the radiator, exhaust manifold, tail pipe, catalytic converter and muffler.
- Do not smoke while working on a vehicle.

## General information

### Fundamental procedures

Vehicle protection .....	00- 1
A word about safety .....	00- 1
Welding procedures .....	00- 1
Body frame straightener .....	00- 2
Electrical procedures .....	00- 2

### For best results

Disassembly .....	00- 3
Preparation of assembly .....	00- 5
Assembly .....	00- 6
Rustproof treatment after assembly .....	00- 7

### Vehicle lift (2-Support type) & and safety stand positions

Front end .....	00- 8
Rear end.....	00- 8

Towing .....	00- 8
--------------	-------

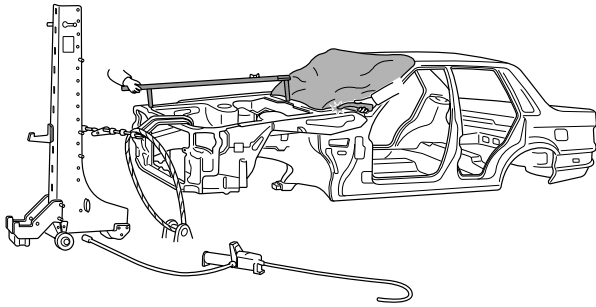
### Body colors and major specifications

Kia color codes .....	00- 9
Paint manufacture codes .....	00- 9

## Fundamental procedures

### Vehicle protection

1. Cover the seats before performing any procedure to keep them from getting dirty.
2. Cover all glasses, seats and mats with a heat resistant cover when welding.

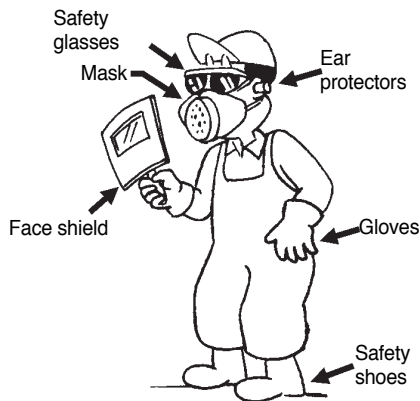


1SD1BM001

3. Protect moldings, garnishes and ornaments.

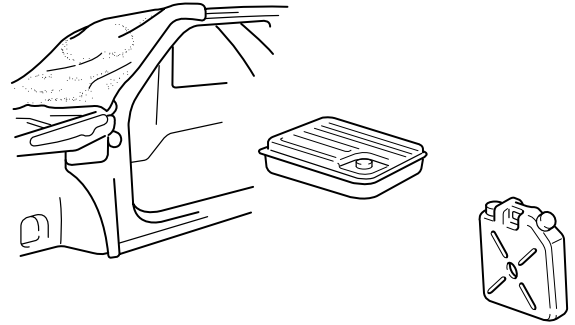
### A word about safety

1. Wear the appropriate safety equipment that is necessary for the procedure being performed.



00003

2. When welding or performing other procedures that require the use of an open flame near the fuel tank, disconnect and remove the tank and fuel pipe, and cap the pipe to prevent fuel leakage.



ASD1BM003

### Welding procedures

Observe the following tips when welding.

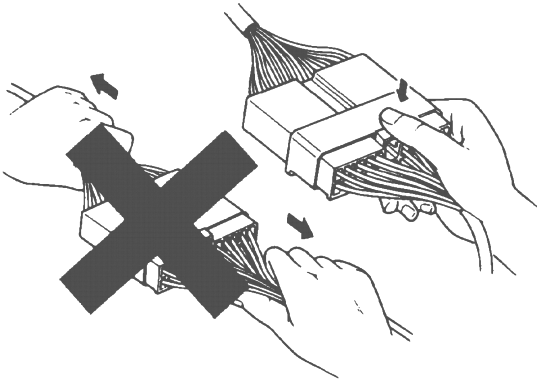
1. Wear appropriate eye protection.
2. Carefully follow the manufacturers operating instructions for the welding machine you are using.
3. Do not weld, smoke or allow open flames around volatile chemicals, cleaners or solvents or in any area where they have just been used.

## Body frame straightener

When using a frame straightener, do not enter the area where the body is being straightened by the chain.

### Electrical procedures

1. Disconnect the negative battery terminal.
2. Do not pull on wires when disconnecting electrical connectors. Be careful to hold the connector itself when disconnecting it.
3. Insert the connector until it “clicks” when connecting the connector.
4. Handle all electrical components with care.



BSX061006

## For best results

### Disassembly

#### Measuring dimensions before beginning

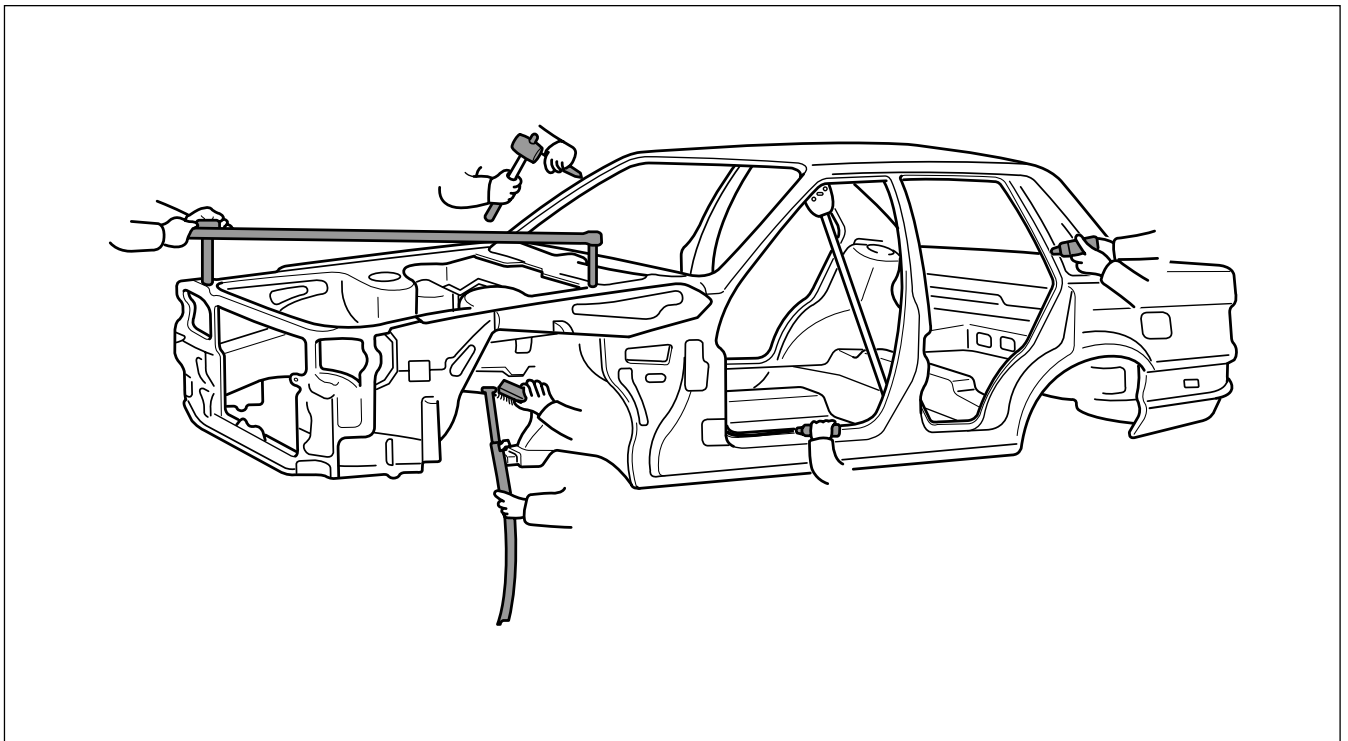
Measure the dimensions of the damaged area according to the body dimension drawings before disassembling and repairing. Adjust dimensions with body frame adjuster if deformed.

#### Selecting cutting area

Select a cutting area that is easily accessible and that is prone to the least amount of distortion when welding. Select an area that would allow the new part to overlap repair area by 1.2~2.0 in (30~50 mm).

#### Protecting body from damage

Secure the body with clamps and jacks to prevent damage to the body when working on it.



1SD1BM004

## 00-4 General information

---

### Disassembling related parts

Use caution when removing body molding and trim from the area to be worked. Apply masking tape where needed to prevent damage to the part being removed or to the vehicle body. Before starting repairs, check if pipes, hoses or electrical components are present near damaged area.

