



Illustrated Parts Manual

Model TF6-42

S/N 0192001 thru 0192007
& 0160000052 & After

91504001

*Revised
April 2, 2014*



EFFECTIVITY PAGE

December 17, 2004 - A - Revised Manual

June 15, 2005 - B - Revised Manual

September 30, 2005 - C - Revised Manual

April 24, 2006 - D - Revised Manual

August 25, 2006 - E - Revised Manual

February 23, 2007 - F - Revised Manual

July 6, 2007 - G - Revised Manual

August 11, 2009 - H - Revised Manual

April 2, 2014 - I - Revised Manual

EFFECTIVITY PAGE

TABLE OF CONTENTS

FIGURE NO.	TITLE	PAGE NO.
SECTION 1 –		
FRAME & ATTACHING PARTS		1-1
1-1	Frame Shrouding & Trim	1-2
1-2	Axle Mounting	1-10
SECTION 2 –		
BOOM		2-1
2-1	First Boom Section	2-2
2-2	Bearing Pads, Spacers, & Shims, (First Boom Section)	2-4
2-3	Second Boom Section	2-6
2-4	Bearing Pads, Spacers & Shims, (Second Boom Section)	2-8
2-5	Third Boom Section	2-10
2-6	Bearing Pads, Spacers & Shims, (Third Boom Section)	2-12
2-7	Push Beam/Extend Chain & Roller Assembly	2-14
2-8	Quick Switch Assembly	2-16
SECTION 3 –		
ATTACHMENTS		3-1
3-1	48" & 72" Carriage Assembly	3-2
3-2	Buckets	3-4
3-3	48" & 72" Slope Piler Carriage	3-6
3-4	10' & 15' Truss Boom Assembly	3-8
3-5	10' & 15' Truss Boom Assembly w/Winch	3-10
3-6	100 Degree Swing Fork Assembly	3-12
3-7	Drywall Carriage Assembly	3-16
3-8	100 Degree Drywall Swing Carriage Assembly	3-18
3-9	Personnel Platform Assembly	3-22
3-10	Transformer Platform	3-24
3-11	Forks	3-28
3-12	Fork Mounted Lifting Hook	3-30
SECTION 4 –		
ENGINE & ATTACHING PARTS		4-1
4-1	Engine Assembly, L.H. View	4-2
4-2	Engine Assembly, R.H. View	4-10
4-3	Deere Engine	4-14
4-4	Fuel Tank & Lines	4-24
4-5	Radiator Assembly	4-26
4-6	Air Cleaner & Installation	4-30
4-7	Exhaust Installation	4-34
4-8	Transmission - Converter Housing Group	4-38
4-9	Transmission - Transmission Case & Plate Group	4-40
4-10	Transmission - Torque Converter Group	4-42
4-11	Transmission - Gear Group	4-44

TABLE OF CONTENTS

FIGURE NO.	TITLE	PAGE NO.
4-12	Transmission - Pump Drive Group	4-48
4-13	Transmission - Charging Pump Group	4-50
4-14	Transmission - Reverse Idler Group	4-52
4-15	Transmission - Forward & Reverse Shaft Group	4-54
4-16	Transmission - 3rd Shaft Group	4-56
4-17	Transmission - First & Second Shaft Group	4-60
4-18	Transmission - Output Shaft Group	4-62
4-19	Transmission - Electric Control Group	4-64
4-20	Transmission - Drive Plate Group	4-68
4-21	Transmission - Drop Box Group	4-70
SECTION 5 –		
	DRIVE TRAIN	5-1
5-1	Front Axle Assembly - Carraro	5-2
5-2	Front Axle - Carraro	5-4
5-3	Front Axle Housing Assembly - Carraro	5-6
5-4	Front Steering Components - Carraro	5-8
5-5	Front Gear Components - Carraro	5-10
5-6	Front Differential - Carraro	5-12
5-7	Front Double Joint - Carraro	5-14
5-8	Front Brakes - Carraro	5-16
5-9	Front Wheel Hub - Carraro	5-18
5-10	Front Reduction Gears - Carraro	5-20
5-11	Rear Axle Assembly - Carraro	5-22
5-12	Rear Axle - Carraro	5-24
5-13	Rear Axle Housing - Carraro	5-26
5-14	Rear Steering Components - Carraro	5-28
5-15	Rear Gear Components - Carraro	5-30
5-16	Rear Differential - Carraro	5-32
5-17	Rear Double Joint - Carraro	5-34
5-18	Rear Wheel Hub - Carraro	5-36
5-19	Rear Reduction Gears - Carraro	5-38
5-20	Front Axle Assembly - Dana	5-40
5-21	Front Axle - Dana	5-42
5-22	Front Axle Housing Assembly - Dana	5-44
5-23	Front Steering Components - Dana	5-46
5-24	Front Gear Components - Dana	5-48
5-25	Front Differential - Dana	5-50
5-26	Front Double Joint - Dana	5-52
5-27	Front Brakes - Dana	5-54
5-28	Front Wheel Hub - Dana	5-56
5-29	Front Reduction Gears - Dana	5-58
5-30	Rear Axle Assembly - Dana	5-60
5-31	Rear Axle - Dana	5-62
5-32	Rear Axle Housing Assembly - Dana	5-64

TABLE OF CONTENTS

FIGURE NO.	TITLE	PAGE NO.
5-33	Rear Steering Components - Dana	5-66
5-34	Rear Gear Components - Dana	5-68
5-35	Rear Differential - Dana	5-70
5-36	Rear Double Joint - Dana	5-72
5-37	Rear Brakes - Dana	5-74
5-38	Rear Wheel Hub - Dana	5-76
5-39	Rear Reduction Gears - Dana	5-78
5-40	Drive Shaft Assembly	5-80
5-41	Tires & Rims	5-84
 SECTION 6 –		
	CAB	6-1
6-1	Open Cab	6-2
6-2	Cab Enclosure w/Heater Option	6-4
6-3	Cab Enclosure	6-10
6-4	Cab Enclosure	6-12
6-5	Cab	6-14
6-6	Suspension Seat	6-16
6-7	Instrument Panel	6-18
 SECTION 7 –		
	CONTROLS	7-1
7-1	Accelerator Pedal Assembly	7-2
7-2	Steering Column & Attaching Parts	7-4
7-3	Brake Pedal Assembly	7-6
7-4	Transformer Platform Swing & Lift Controller Assembly	7-12
7-5	Transformer Platform Drive/Steer Controller Assembly	7-14
7-6	Boom Joystick	7-16
7-7	R.H. Tilt/Sway Joystick	7-20
7-8	L.H. Auxiliary Joystick	7-22
 SECTION 8 –		
	HYDRAULIC CIRCUITS	8-1
8-1	Supply Circuit	8-2
8-2	Dump Circuit	8-4
8-3	Steer Select	8-8
8-4	Service/Parking Brake	8-10
8-5	Boom Joystick	8-14
8-6	Tilt/Sway Joystick	8-16
8-7	Auxiliary Joystick	8-18
8-8	Lift Cylinder	8-20
8-9	Crowd Cylinder	8-22
8-10	Tilt & Tilt Compensating Cylinder	8-24
8-11	Auxiliary Function	8-26

TABLE OF CONTENTS

FIGURE NO.	TITLE	PAGE NO.
8-12	Platform Rotate Cylinders	8-30
8-13	Sway Cylinder	8-32
 SECTION 9 –		
HYDRAULIC COMPONENTS		9-1
9-1	Lift Cylinder	9-2
9-2	Crowd Cylinder - Iowa	9-10
9-3	Tilt Cylinder - Iowa	9-12
9-4	Compensating Cylinder	9-14
9-5	Sway Cylinder - Iowa	9-22
9-6	Stabilizer Cylinder - Iowa	9-24
9-7	Main Control Valve	9-26
9-8	Pilot Control Valve	9-30
9-9	Implement Pump	9-32
9-10	Hydraulic Tank Assembly	9-36
9-11	Sway Cylinder Valve	9-38
9-12	Brake Valve	9-40
9-13	Priority Valve	9-52
9-14	Steer Select Valve	9-56
9-15	Directional Valve	9-58
9-16	Auxiliary Motor/Pump	9-60
9-17	Solenoid Valve	9-62
9-18	Remote Brake Valve	9-64
9-19	Decompression Valve	9-66
9-20	Transformer Platform Rotate Cylinder	9-68
9-21	Transformer Platform Double Pilot Check Valve	9-72
9-22	Sway Cylinder Valve	9-74
 SECTION 10 –		
ELECTRICAL		10-1
10-1	Battery & Cables	10-2
10-2	Auxiliary Motor/Pump	10-4
10-3	Cab Harness	10-6
10-4	Engine Harness	10-8
10-5	Right & Left Boom Harness	10-16
10-6	Transformer Platform Harness	10-18
10-7	Boom Sensor Harness	10-20
10-8	Transformer Platform Control Box Assembly	10-22
 SECTION 11 –		
DECALS		11-1
11-1	Cab & Frame Decals	11-2
11-2	Boom Decals	11-6
11-3	Transformer Platform Decals	11-10

TABLE OF CONTENTS

FIGURE NO.	TITLE	PAGE NO.
SECTION 12 –		
	OPTIONS	12-1
12-1	Heater Option Assembly	12-2
12-2	Cold Start Installation	12-8
12-3	Block Heater Installation	12-10
12-4	Auxiliary Electrics Assembly	12-12
12-5	Beacon Light Package	12-16
12-6	Tire Sealant Option	12-18
12-7	Remote Oil Filter Kit	12-20
12-8	Suspension Seat Option	12-24
12-9	Sway Cylinder	12-26
12-10	5" & 8" Winch	12-28
12-11	Truss Boom Pressure Reducer Valve - 1200 PSI	12-32
12-12	Winch Motor	12-34
12-13	Swing Cylinder	12-36
12-14	Turbo Option	12-38
12-15	Turbo Engine Assembly, L.H. View	12-40
12-16	Turbo Engine Assembly, R.H. View	12-44
12-17	Deere Turbo Engine	12-46
12-18	Turbo Radiator Assembly	12-50
12-19	Turbo Air Cleaner & Installation	12-52
12-20	Turbo Exhaust Installation	12-54
12-21	Worklight Package	12-56
12-22	Starter Kit	12-60
12-23	Fuel/Water Separator Installation	12-62
12-24	Standard Seat Replacement Kit	12-64
12-25	Heavy Seat Replacement Kit	12-66
SECTION 13 –		
	RECOMMENDED SPARE PARTS	13-1
SECTION 14 – PART NUMBER INDEX		
		14-1

TABLE OF CONTENTS

FIGURE NO.

TITLE

PAGE NO.

SERVICE KITS

Section	Page No.	Part No.	Description
4	4-4	91415035	Engine Filter Kit, (Non-Turbo), (S/N 0192001 thru 0160002686)
4	4-8	91415084	Engine Filter Kit, (Non-Turbo), (S/N 0160003136 & After)
4	4-69	10837075	Drive Plate Kit
5	5-5	91474614	R.H. Wheel Side Kit - Carraro Front Axle
5	5-5	91474615	L.H. Wheel Side Kit - Carraro Front Axle
5	5-13	91474120	Differential Kit - Carraro Front Axle
5	5-25	91474614	R.H. Wheel Side Kit - Carraro Rear Axle
5	5-25	91474615	L.H. Wheel Side Kit - Carraro Rear Axle
5	5-33	91474175	Differential Kit - Carraro Rear Axle
5	5-51	7028710	Differential Kit - Dana Front Axle
5	5-59	7029287	Planetary Carrier Kit - Dana Front Axle
5	5-71	91474596	Differential Kit - Dana Rear Axle
5	5-79	7029287	Planetary Carrier Kit - Dana Rear Axle
5	5-81	91474035	Universal Joint Kit - Carraro
5	5-83	91474035	Universal Joint Kit - Dana
7	7-5	91144190	Steering Control Unit Seal Kit
7	7-17	91404011	Bent Lever Kit, (S/N 0192001 thru 0160000157)
7	7-17	80264138	Cardan Kit, (S/N 0192001 thru 0160000157)
7	7-19	91404011	Bent Lever Kit, (S/N 0160000170 & After)
7	7-19	80264138	Cardan Kit, (S/N 0160000170 & After)
7	7-21	80264140	Cardan Kit
7	7-21	91404326	Joystick Seal Kit
7	7-23	91504034	Operation Lever Kit
9	9-3	91504008	Lift Cylinder Seal Kit, (S/N 0192001 thru 0160007442)
9	9-5	91504008	Lift Cylinder Seal Kit, (S/N 0160007897)
9	9-7	91504008	Lift Cylinder Seal Kit, (S/N 0160008040 thru 0160009242)
9	9-9	91504119	Lift Cylinder Seal Kit, (S/N 0160010695 & After)
9	9-11	70020432	Crowd Cylinder Seal Kit

SERVICE KITS

Section	Page No.	Part No.	Description
9	9-13	91504016	Tilt Cylinder Seal Kit
9	9-15	91404206	Compensating Cylinder Seal Kit, (S/N 0192001 thru 0160007442)
9	9-17	91404206	Compensating Cylinder Seal Kit, (S/N 0160007897)
9	9-19	91404206	Compensating Cylinder Seal Kit, (S/N 0160008040 & After)
9	9-23	91404172	Sway Cylinder Seal Kit
9	9-25	91404172	Stabilizer Cylinder Seal Kit
9	9-28	91404177	Main Control Valve Stud Kit
9	9-28	91404178	MCV Section Seal Kit
9	9-28	91404179	MCV Main Relief Seal Kit
9	9-28	70020717	Plug Seal Kit
9	9-35	91474624	Implement Pump Seal Kit, (S/N 0160000141 & After)
9	9-42	91474428	Piston Kit
9	9-42	91474429	Cover Kit
9	9-42	91474430	Make-up Check Kit
9	9-42	91474431	Inlet Kit
9	9-42	91474433	Orifice Kit
9	9-42	91474432	Hardware Kit
9	9-53	91474024	Check Valve Cartridge Seal Kit, (S/N 0192001 thru 0160001857)
9	9-53	91474489	Compensator Cartridge Seal Kit, (S/N 0192001 thru 0160001857)
9	9-53	91474027	Reducing Valve Cartridge Seal Kit, (S/N 0192001 thru 0160001857)
9	9-53	91474024	Relief Valve Cartridge Seal Kit, (S/N 0192001 thru 0160001857)
9	9-53	91474487	Sequence Cartridge Seal Kit, (S/N 0192001 thru 0160001857)
9	9-55	91474024	Check Valve Cartridge Seal Kit, (S/N 0160001868 & After)
9	9-55	91474489	Compensator Cartridge Seal Kit, (S/N 0160001868 & After)
9	9-55	91474027	Reducing Valve Cartridge Seal Kit, (S/N 0160001868 & After)

SERVICE KITS

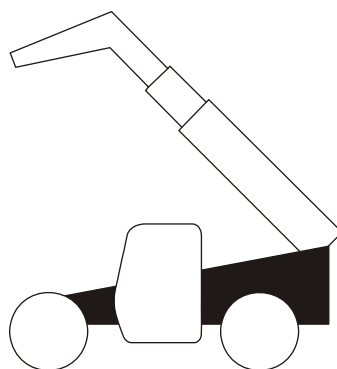
Section	Page No.	Part No.	Description
9	9-55	91474024	Relief Valve Cartridge Seal Kit, (S/N 0160001868 & After)
9	9-55	91474027	Solenoid Valve Seal Kit, (S/N 0160001868 & After)
9	9-59	91504041	Directional Valve Seal Kit
9	9-65	91044001	Remote Brake Valve Seal Kit
9	9-67	91504058	Decompression Valve Seal Kit
9	9-69	7001625	Transformer Platform Rotate Cylinder Seal Kit
9	9-73	7012998	Relief Valve Seal Kit
9	9-73	7012967	Check Valve Seal Kit
11	11-4	91505041	Decal Kit
11	11-11	0272098	Transformer Platform Decal Kit
12	12-9	91403295	Cold Start Kit
12	12-37	91404381	Stabilizing Cylinder Seal Kit
12	12-42	91415064	Engine Filter Kit

SERVICE KITS

Section	Page No.	Part No.	Description
---------	----------	----------	-------------

SECTION 1

FRAME & ATTACHING PARTS

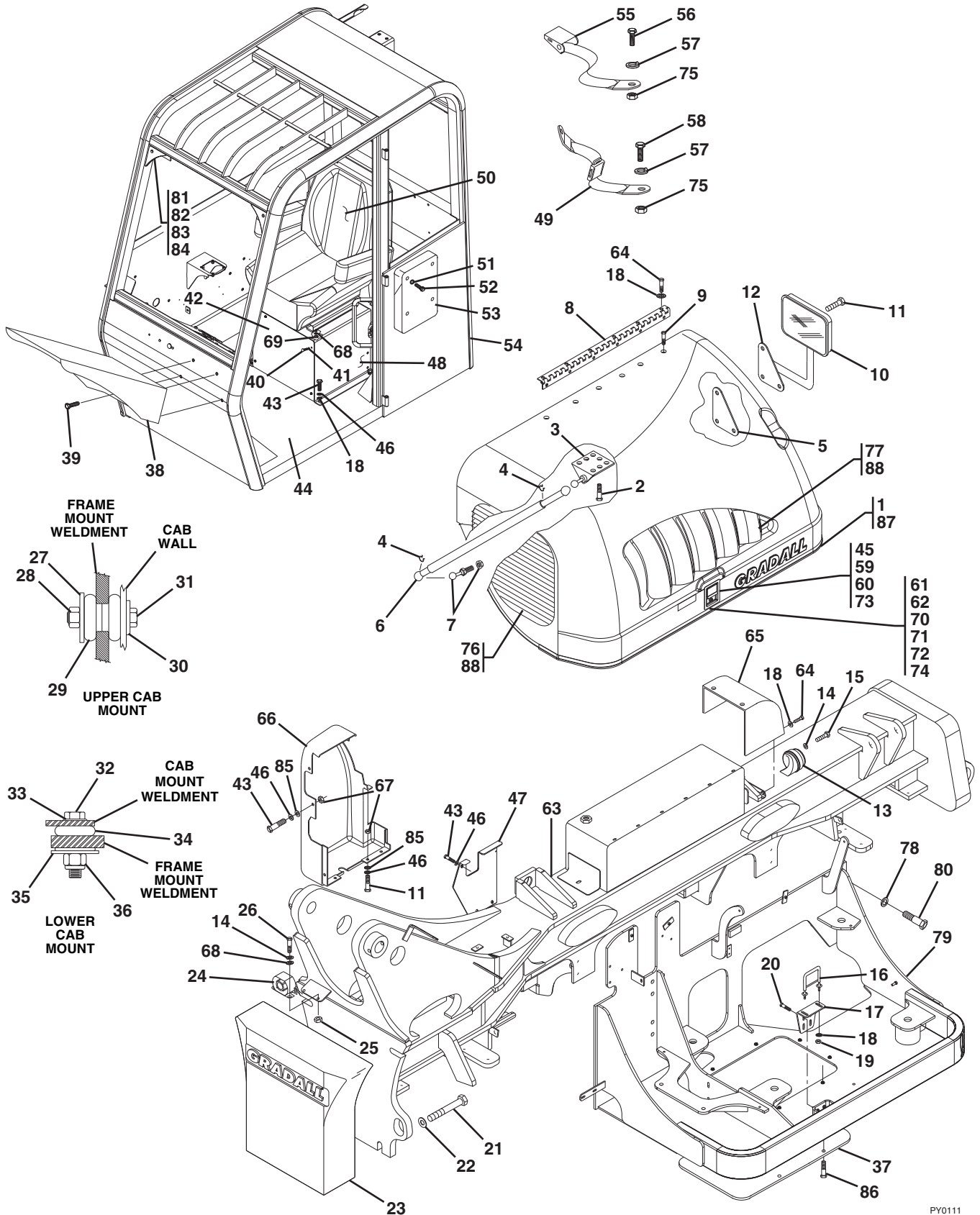




FRAME & ATTACHING PARTS

S/N 0192001 thru 0192007 &
016000052 thru 016000622
excluding 0160000198 & 0160006286

Figure 1-1 Frame Shrouding & Trim



PY0111



Figure 1-1 Frame Shrouding & Trim

Item	Part Number	Qty.	Description	Rev.
1	91473095	1	ENGINE COVER, (includes items 2, 3, 4, 6, 7, 8, 9, 59, 60, 61, 62, 70 thru 74, 76 & 77)	C
	91404275	1	ENGINE COVER KEY	
2	91474411	23	HEX HD CAPSCREW, 8X3/4	
3	91474410	2	PROP BRACKETS	
4	91474425	4	PROP CLIPS	
5	91471200	1	MIRROR MOUNT BACK PLATE	
6	91474423	2	GAS PROP	
7	91474424	2	BALL STUD, (13mm)	
8	91474409	1	HINGE, 34"	
9	91474420	6	SOCKET BUTTON HD CAPSCREW, 3/8-16X1-1/4	
10	80263053	1	MIRROR	
11	88201036	7	HEX HD CAPSCREW, 3/8-16X1-1/4	
12	91476035	1	MIRROR BRACKET WELDMENT	
13	91143357	1	HORN	
14	88551010	3	LOCKWASHER, 5/16	
15	88201016	1	HEX HD CAPSCREW, 5/16-18X1/2	
16	91403600	1	U-BOLT	
17	91471150	1	LATCH MOUNTING BRACKET	
18	88561004	16	WASHER, 3/8	
19	88501006	2	NUT, 3/8-16	
20	80973096	4	WHIZ-LOCK SCREW, 3/8-16X1-1/2	
21	83201030	4	HEX HD CAPSCREW, 1/8X3-1/2, (torque to 545-595 ft.lbs.)	
22	80241137	4	WASHER	
23	91140001	1	COUNTERWEIGHT	
24	91403574	1	BACK-UP ALARM	
25	88501005	2	HEX NUT, 5/16-18	
26	88201018	2	HEX HD CAPSCREW, 5/16-18X3/4	
27	91403217	2	REBOUND WASHER	
28	88501014	2	HEX NUT, 7/8-9	
29	91403153	4	SHOCK MOUNT	
30	91403325	2	HARDENED WASHER	
31	77321274	2	HEX HD CAPSCREW, 7/8-9X5	
32	83201058	4	HEX HD CAPSCREW, 3/4-10X3-3/4	
33	86681572	4	HARDWASHER, 13/16	
34	91403097	4	CAB ISOLATOR MOUNT	
35	91403098	4	TAIL WASHER	
36	88521012	4	FLEX LOCKNUT, 3/4-10	
37	88201064	8	HEX HD CAPSCREW, 1/2-13X7/8,GR5	
38	91401487	1	CAB FENDER	
39	80973025	4	WHIZ-LOCK BOLT, 3/8-16X1	
40	88261015	6	SOCKET BUTTON HD CAPSCREW, 1/4-20X5/8	
41	88551009	9	LOCKWASHER, 1/4	
42	91401415	1	ACCESS COVER	
43	88201035	13	HEX HD CAPSCREW, 3/8-16X1, GR5	
44	91473210	1	NON-SKID FLOOR	
45	91503090	1	PILOT VALVE COVER	
46	88551011	17	LOCKWASHER, 3/8	
47	88501307	4	HEX NUT, 7/16-20	



FRAME & ATTACHING PARTS

S/N 0192001 thru 0192007 &
016000052 thru 0160006622
excluding 0160000198 & 0160006286

Figure 1-1 Frame Shrouding & Trim (Continued)

Item	Part Number	Qty.	Description	Rev.
48	91406115	1	RISER WELDMENT	
49	91513099	1	TETHER, (includes items 47, 57 & 58)	
50		1	TRIMLINE SEAT, (no longer available; see Figure 12-24 for details), (S/N 0192001 thru 0160006622)	
51	88561002	10	FLAT WASHER, 1/4	
52	88201005	4	HEX HD CAPSCREW, 1/4-20X1, GR5	
53	91403230	1	MANUAL CASE	
54		Ref	CAB ASSY, (see Figure 6-1 for details)	
55	91033029	1	SEAT BELT, (not used with optional seat), (includes items 47, 56 & 57)	
56	88201549	2	HEX HD CAPSCREW, 7/16-20X1, GR5	
57	88551012	4	LOCKWASHER, 7/16	
58	88201551	2	HEX HD CAPSCREW, 7/16-20X1-1/2, GR5	
59	91474419	1	LOCKING PADDLE HANDLE	
60	91474417	1	PADDLE HANDLE GASKET	
61	91474418	1	ROTARY LATCH	
62	91474415	1	LINKAGE ROD	
63	91506012	1	FRAME WELDMENT	
64	88261027	10	SOCKET BUTTON HD CAPSCREW, 3/8-16X3/4	
65	91513121	1	FRONT COVER	
66	91473085	1	COVER MAIN VALVE	
67	88662523	10	NUT	
68	88561003	6	FLAT WASHER, 5/16, (S/N 0192001 thru 0160006622)	
69	77143006	4	WHIZ-LOCK NUT, 5/16-18, (S/N 0192001 thru 0160006622)	
70	91474414	2	BOLT, 5/16X1-1/4	
71	91474413	2	NUT, 5/16	
72	91474412	2	LOCKWASHER, 5/16	
73	91474427	1	LATCH BACKING PLATE	
74	91474416	4	RIVETS, 3/16	
75	91471191	1	VALVE COVER PLATE	
76		1	SCREEN	
77	91474422	1	EXHAUST SCREEN KIT	
78	90027473	16	HARDENED WASHER, 3/4	
79	91476044	1	ENGINE POD WELDMENT	
80	83201006	8	HEX HD CAPSCREW, 3/4-10X2, (torque to 240-255 ft.lbs.)	
81	83201001	4	HEX HD CAPSCREW, 3/4-10X4-1/2, GR8, (torque to 240-255 ft.lbs.)	
82	88501012	4	HEX NUT, 3/4-10	
83		1	TILT GAUGE, (no longer available), (Before S/N 0160006622)	
	8466306	1	TILT GAUGE, (w/adhesive), (S/N 0160006622)	
84	88204912	1	HEX HD CAPSCREW, 1/4-20X1, GR5, (Before S/N 0160006622)	
85	88561109	10	FLAT WASHER, 3/8	
86	88561107	1	FLAT WASHER, 1/4, (Before S/N 0160006622)	
87	88521204	1	LOCKNUT, 1/4-20, (Before S/N 0160006622)	
88	91471112	1	OIL PAN COVER	
89	91404437	13'	BULB SEAL	
90	91503046	1	LEVEL SENSOR	
91	83201013	3	HEX HD CAPSCREW, 1/4-20X3/8	
92	7027772	1	ADHESIVE KIT, (includes 3 tubes and applicator), (enough to do exhaust screen kit)	

S/N 0192001 thru 0192007 &
016000052 thru 0160006622
excluding 0160000198 & 0160006286

FRAME & ATTACHING PARTS



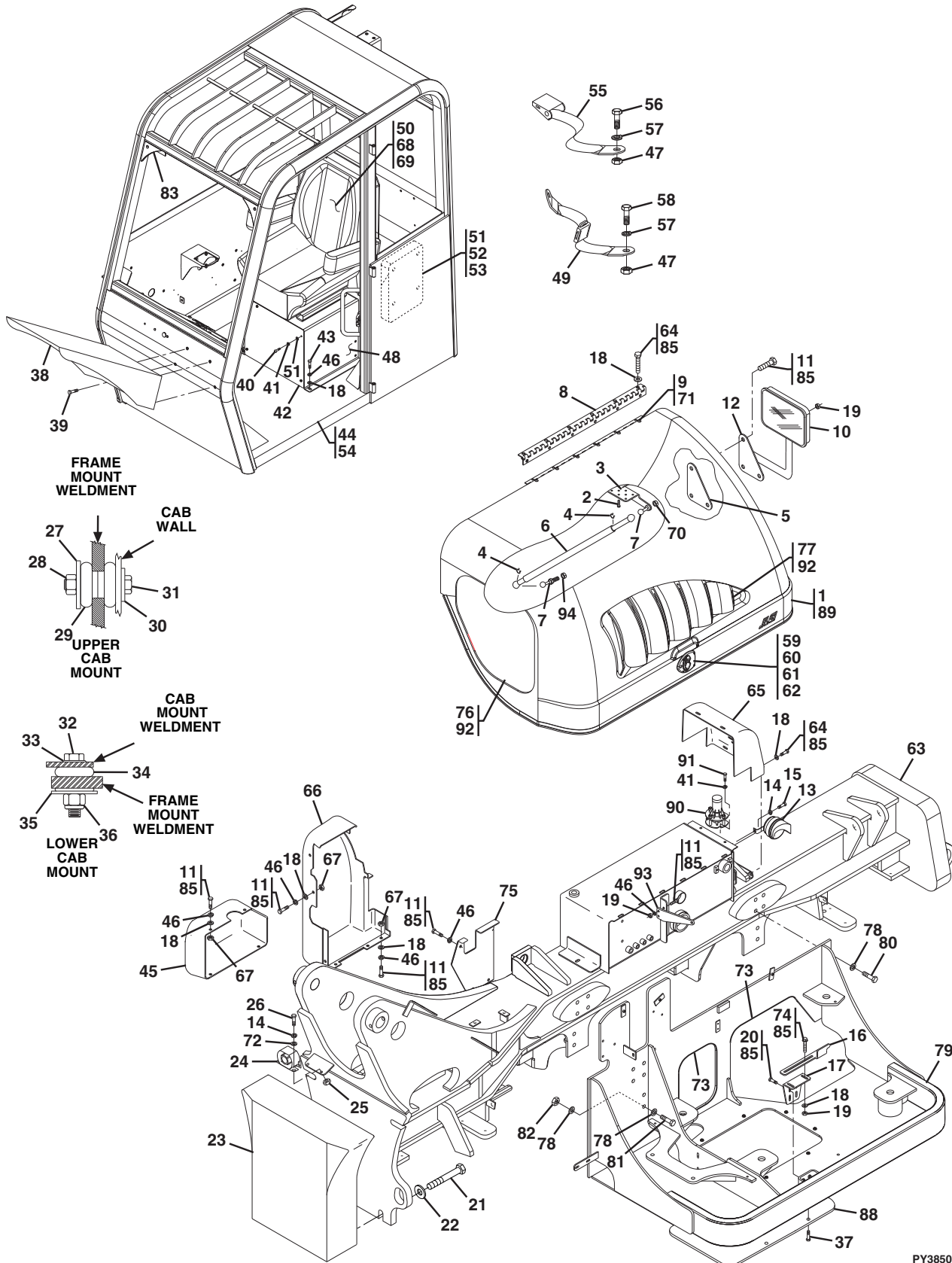
Figure 1-1 Frame Shrouding & Trim (Continued)

Item	Part Number	Qty.	Description	Rev.



FRAME & ATTACHING PARTS

Figure 1-1 Frame Shrouding & Trim



PY3850