



Illustrated Parts Manual

Model G6-42A

S/N 0190001 thru 0190457
& 0160000022 thru
0160048656

91474001

*Revised
April 4, 2014*



EFFECTIVITY PAGE

December 17, 2004 - A - Revised Manual

June 3, 2005 - B - Revised Manual

September 30, 2005 - C - Revised Manual

May 12, 2006 - D - Revised Manual

August 25, 2006 - E - Revised Manual

February 23, 2007 - F - Revised Manual

July 6, 2007 - G - Revised Manual

November 26, 2008 - H - Revised Manual

August 11, 2009 - I - Revised Manual

April 29, 2011 - J - Revised Manual

June 20, 2012 - K - Revised Manual

October 23, 2012 - L - Revised Manual

April 4, 2014 - M - Revised Manual

EFFECTIVITY PAGE

TABLE OF CONTENTS

FIGURE NO.	TITLE	PAGE NO.
SECTION 1 –		
FRAME & ATTACHING PARTS		1-1
1-1	Frame Shrouding & Trim	1-2
1-2	Axle Mounting	1-16
 SECTION 2 –		
BOOM		2-1
2-1	First Boom Section	2-2
2-2	Bearing Pads, Spacers & Shims, (First Boom Section)	2-4
2-3	Second Boom Section	2-6
2-4	Bearing Pads, Spacers & Shims, (Second Boom Section)	2-8
2-5	Third Boom Section	2-12
2-6	Bearing Pads, Spacers & Shims, (Third Boom Section)	2-14
2-7	Push Beam/Extend Chain & Roller Assembly	2-16
2-8	Manual Quick Switch Assembly	2-18
 SECTION 3 –		
ATTACHMENTS		3-1
3-1	Tilt Carriage	3-2
3-2	Buckets	3-6
3-3	Side Tilt Carriage	3-8
3-4	Truss Boom	3-12
3-5	Truss Boom With Winch	3-16
3-6	Swing Carriage	3-20
3-7	Sheet Material Handler	3-26
3-8	Winch Installation	3-30
3-9	100 Degree Drywall Swing Carriage Assembly	3-32
3-10	Personnel Platform Assy	3-36
3-11	Fork Mounted Platform	3-38
3-12	100 Degree Swing Carriage With Side Shift	3-42
3-13	Forks	3-46
3-14	Fork Mounted Lifting Hook	3-48
3-15	Grapple Bucket	3-52
3-16	Fork Pin Lock Installation	3-54
3-17	Dual Fork Positioning Carriage Assembly	3-56
3-18	6 Ft Mast With 72 In Carriage	3-58
3-19	8 Ft Standard Mast	3-60
3-20	8 Ft Side Tilt Electric Mast	3-64
3-21	50 in Side Shift Carriage	3-70
 SECTION 4 –		
ENGINE & ATTACHING PARTS		4-1
4-1	Engine Assembly, LH View - John Deere Engine	4-2
4-2	Engine Assembly, RH View - John Deere Engine	4-10

TABLE OF CONTENTS

FIGURE NO.	TITLE	PAGE NO.
4-3	Engine Assembly - Perkins Engine	4-16
4-4	Engine Installation - Cummins Engine	4-20
4-5	John Deere Engine	4-24
4-6	Perkins Engine	4-36
4-7	Cummins Engine	4-38
4-8	Fuel Tank & Lines	4-40
4-9	Radiator Assembly - John Deere Engine	4-46
4-10	Radiator Assembly - Perkins Engine	4-50
4-11	Radiator Assembly - Cummins Engine	4-52
4-12	Air Cleaner & Installation - John Deere Engine	4-56
4-13	Air Cleaner & Installation - Perkins Engine	4-62
4-14	Air Cleaner & Installation - Cummins Engine	4-64
4-15	Exhaust Installation - John Deere Engine	4-66
4-16	Exhaust Installation - Perkins Engine	4-70
4-17	Exhaust Installation - Cummins Engine	4-72
4-18	Dana Transmission Installation	4-74
4-19	Dana Transmission - Converter Housing Group	4-76
4-20	Dana Transmission Case & Plate Group	4-78
4-21	Dana Transmission - Torque Converter Group	4-80
4-22	Dana Transmission - Gear Group	4-82
4-23	Dana Transmission - Pump Drive Group	4-86
4-24	Dana Transmission - Charging Pump Group	4-88
4-25	Dana Transmission - Reverse Idler Group	4-90
4-26	Dana Transmission - Forward and Reverse Shaft Group	4-92
4-27	Dana Transmission - 3rd Shaft Group	4-94
4-28	Dana Transmission - First & Second Shaft Group	4-98
4-29	Dana Transmission - Output Shaft Group	4-100
4-30	Dana Transmission - Electric Control Group	4-102
4-31	Dana Transmission - Drive Plate Group	4-108
4-32	Dana Transmission - Drop Box Group	4-110
4-33	ZF Transmission Installation	4-112
4-34	ZF Transmission Assembly	4-114
4-35	ZF Transmission - Torque Converter & Input	4-116
4-36	ZF Transmission - Gearbox Housing	4-118
4-37	ZF Transmission - Forward Gear Group	4-120
4-38	ZF Transmission - Reverse Gear Group	4-122
4-39	ZF Transmission - 1st Shaft Group	4-124
4-40	ZF Transmission - 2nd Shaft Group	4-126
4-41	ZF Transmission - 3rd Shaft Group	4-128
4-42	ZF Transmission - 4th Shaft Group	4-130
4-43	ZF Transmission - Power Take-Off	4-132
4-44	ZF Transmission - Control Unit & Pressure Regulator	4-134
4-45	ZF Transmission - Gearshift System	4-136
4-46	ZF Transmission - Oil Pump, Filter & Dipstick	4-138
4-47	ZF Transmission - Transfer Box	4-140

TABLE OF CONTENTS

FIGURE NO.	TITLE	PAGE NO.
SECTION 5 –		
	DRIVE TRAIN	5-1
5-1	Front Axle Installation - Carraro	5-2
5-2	Front Axle - Carraro	5-4
5-3	Front Axle Housing Assembly - Carraro	5-6
5-4	Front Steering Components - Carraro	5-8
5-5	Front Gear Components - Carraro	5-10
5-6	Front Differential - Carraro	5-12
5-7	Front Double Joint - Carraro	5-14
5-8	Front Brakes - Carraro	5-16
5-9	Front Wheel Hub - Carraro	5-18
5-10	Front Reduction Gears - Carraro	5-20
5-11	Rear Axle Installation - Carraro	5-22
5-12	Rear Axle - Carraro	5-24
5-13	Rear Axle Housing Assembly - Carraro	5-26
5-14	Rear Steering Components - Carraro	5-28
5-15	Rear Gear Components - Carraro	5-30
5-16	Rear Differential - Carraro	5-32
5-17	Rear Double Joint - Carraro	5-34
5-18	Rear Wheel Hub - Carraro	5-36
5-19	Rear Reduction Gears - Carraro	5-38
5-20	Front Axle Installation - Dana	5-40
5-21	Front Axle - Dana	5-44
5-22	Front Axle Housing Assembly - Dana	5-46
5-23	Front Steering Components - Dana	5-48
5-24	Front Gear Components - Dana	5-50
5-25	Front Differential - Dana	5-52
5-26	Front Double Joint - Dana	5-54
5-27	Front Brakes - Dana	5-56
5-28	Front Wheel Hub - Dana	5-58
5-29	Front Reduction Gears - Dana	5-60
5-30	Rear Axle Assembly - Dana	5-62
5-31	Rear Axle - Dana	5-66
5-32	Rear Axle Housing Assembly - Dana	5-68
5-33	Rear Steering Components - Dana	5-70
5-34	Rear Gear Components - Dana	5-72
5-35	Rear Differential - Dana	5-74
5-36	Rear Double Joint - Dana	5-76
5-37	Rear Brakes - Dana	5-78
5-38	Rear Wheel Hub - Dana	5-82
5-39	Rear Reduction Gears - Dana	5-84
5-40	Drive Shaft Assembly	5-86
5-41	Tires & Rims	5-90

TABLE OF CONTENTS

FIGURE NO.	TITLE	PAGE NO.
SECTION 6 –		
	CAB	6-1
6-1	Open Cab	6-2
6-2	Cab Enclosures	6-4
6-3	Cab Components	6-6
6-4	Cab Door Assembly	6-8
6-5	Cab Glass	6-10
6-6	Suspension Seat	6-12
6-7	Dash Panel	6-14
6-8	Instrument Panel	6-18
SECTION 7 –		
	CONTROLS	7-1
7-1	Tilt & Frame Level Joystick Installation	7-2
7-2	Joystick Assembly	7-4
7-3	Accelerator Pedal Installation	7-6
7-4	Steering Column & Attaching Parts	7-12
7-5	Brake Pedal Installation	7-16
7-6	Joystick Assembly	7-24
7-7	Auxiliary Hydraulic Joystick Installation	7-28
7-8	Frame Level Joystick Installation	7-30
SECTION 8 –		
	HYDRAULIC CIRCUITS	8-1
8-1	Priority Valve	8-2
8-2	Dump Circuit	8-12
8-3	Steer Select Valve	8-16
8-4	Service/Parking	8-20
8-5	Joystick Circuit	8-26
8-6	Lift Cylinder	8-30
8-7	Crowd Cylinder	8-34
8-8	Tilt & Tilt Compensating Cylinder	8-38
8-9	Sway Cylinder	8-42
8-10	Auxiliary Hydraulics	8-46
SECTION 9 –		
	HYDRAULIC COMPONENTS	9-1
9-1	Lift Cylinder	9-2
9-2	Extend/Retract Cylinder - Iowa	9-12
9-3	Tilt Cylinder - Iowa	9-16
9-4	Compensating Cylinder	9-20
9-5	Frame Level Cylinder	9-28
9-6	Main Control Valve	9-34
9-7	Implement Pump	9-42

TABLE OF CONTENTS

FIGURE NO.	TITLE	PAGE NO.
9-8	Hydraulic Tank Assembly	9-48
9-9	Sway Cylinder Valve	9-52
9-10	Brake Valve	9-56
9-11	Priority Valve	9-72
9-12	Steer Select Valve	9-78
9-13	Grapple Bucket Cylinder	9-84
9-14	Side Tilt Carriage Cylinder	9-86
9-15	72" 90 Degree Swing Carriage Cylinder	9-88
9-16	Main Control Valve, Tilt on Joystick With Aux	9-90
9-17	50 in Side Shift Carriage Cylinder	9-94
SECTION 10 –		
	ELECTRICAL	10-1
10-1	Battery & Cables	10-2
10-2	Engine Harness - John Deere Engine	10-6
10-3	Engine Harness - Perkins Engine	10-18
10-4	Engine Harness - Cummins Engine	10-22
10-5	Transmission Harness	10-24
10-6	Cab Work Light Harness	10-28
10-7	Enclosed Cab Harness	10-30
10-8	Cab Control Harness	10-32
10-9	Cab Dash Harness	10-36
10-10	VEC Box Harness	10-38
10-11	Tilt & Aux Control Module	10-40
10-12	Accessory Module Harness	10-42
10-13	Frame Road Lights Harness	10-44
10-14	Cab Road Lights Harness	10-46
10-15	Cab Work Light Harness	10-48
10-16	Boom Work Lights Harness	10-50
10-17	Cab Work Light & Beacon Light Harness	10-52
10-18	Chassis Harness	10-54
10-19	Park Brake Harness	10-58
SECTION 11 –		
	DECALS	11-1
11-1	Cab & Frame Decals	11-2
11-2	Boom Decals	11-16
SECTION 12 –		
	OPTIONS	12-1
12-1	Turbo Option	12-2
12-2	Turbo Engine Assembly, LH View	12-4
12-3	Turbo Engine Assembly, RH View	12-8
12-4	John Deere Turbo Engine	12-10

TABLE OF CONTENTS

FIGURE NO.	TITLE	PAGE NO.
12-5	Turbo Radiator Assembly	12-14
12-6	Turbo Air Cleaner & Installation	12-16
12-7	Turbo Exhaust Installation	12-20
12-8	Enclosed Cab Heater Components	12-22
12-9	Open Cab Heater Components	12-32
12-10	Engine Heater Components	12-38
12-11	Worklight Package	12-40
12-12	Cold Start Installation - John Deere Engine	12-44
12-13	Block Heater Installation - John Deere Engine	12-46
12-14	Stabilizer Option	12-48
12-15	Stabilizer Cylinder	12-52
12-16	Tilt on Joystick With RH Frame Level	12-54
12-17	Auxiliary Boom Assembly	12-58
12-18	LH Auxiliary Hydraulic Assembly	12-62
12-19	Auxiliary Electrics Assembly	12-64
12-20	Main Control Valve With Auxiliary Hydraulics	12-72
12-21	Beacon Light Package	12-76
12-22	Foam Tire Option	12-78
12-23	Remote Oil Filter Kit	12-80
12-24	Sway Cylinder	12-84
12-25	Swing Cylinder	12-86
12-26	Truss Boom Winch	12-88
12-27	Winch Motor	12-92
12-28	Truss Boom Pressure Reducer Valve - 1200 PSI	12-94
12-29	Truss Boom Pressure Reducer Valve - 1360 PSI	12-96
12-30	Starter Kit	12-98
12-31	Fuel/Water Separator Installation - John Deere Engine	12-100
12-32	Suspension Seat Option	12-102
12-33	Standard Seat Replacement Kit	12-104
12-34	Heavy Seat Replacement Kit	12-106
12-35	Work Light Installation	12-108
12-36	Road Lights Installation	12-114
12-37	Beacon Light Installation	12-120
12-38	Counterweight With Pintle Hook	12-124
12-39	Top Cab Glass Shield	12-126
12-40	Front Cab Glass Shield	12-128
12-41	Engine Air Conditioning Components	12-130
12-42	Air Conditioning Components	12-136
12-43	Winch	12-144
12-44	Fender Installation	12-146
12-45	Swing Cylinder	12-148
12-46	Arctic Package	12-150

TABLE OF CONTENTS

FIGURE NO.	TITLE	PAGE NO.
SECTION 13 –		
RECOMMENDED SPARE PARTS		13-1
SECTION 14 – PART NUMBER INDEX		14-1

TABLE OF CONTENTS

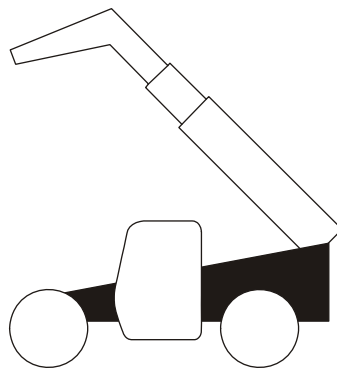
FIGURE NO.

TITLE

PAGE NO.

SECTION 1

FRAME & ATTACHING PARTS

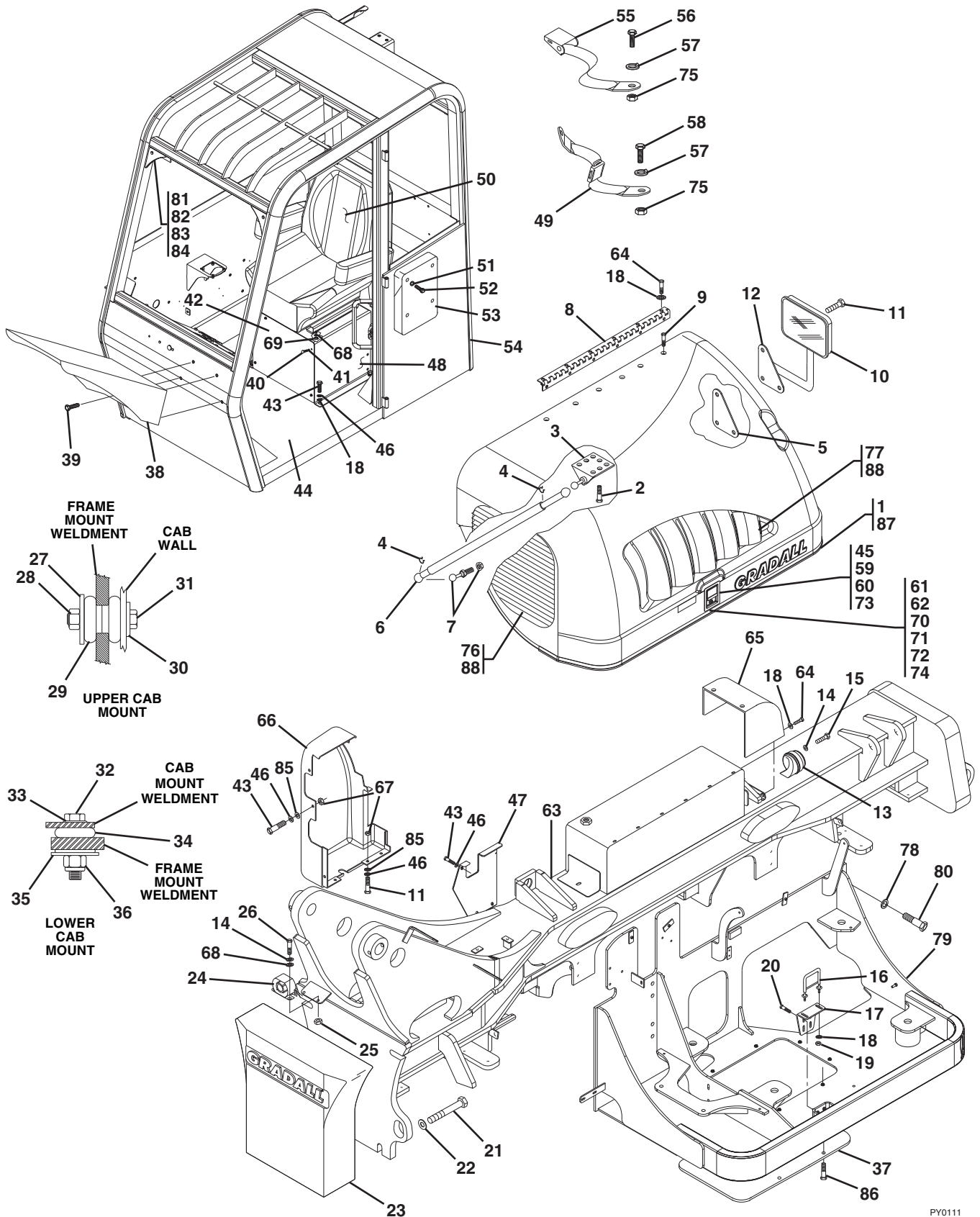




FRAME & ATTACHING PARTS

S/N 0190001 thru 0190457 &
016000022 thru 0160004023

Figure 1-1 Frame Shrouding & Trim



PY0111



Figure 1-1 Frame Shrouding & Trim

Item	Part Number	Qty.	Description	Rev.
1	91473095	1	ENGINE COVER, (includes items 2 thru 4, 6 thru 9, 45, 59 thru 62, 70 thru 74, 76, 77 & 87)	C
	91404275	1	ENGINE COVER KEY	
2	91474411	23	HEX HD CAPSCREW, 8X3/4	
3	91474410	2	PROP BRACKETS	
4	91474425	4	PROP CLIPS	
5	91471200	1	MIRROR MOUNT BACK PLATE	
6	91474423	2	GAS PROP	
7	91474424	2	BALL STUD, 13mm	
8	91474409	1	HINGE, 34 IN	
9	91474420	6	SOCKET BUTTON HD CAPSCREW, 3/8-16X1-1/4	
10	80263053	1	MIRROR	
11	88201036	7	HEX HD CAPSCREW, 3/8-16X1-1/4, GR5	
12	91476035	1	MIRROR BRACKET WELDMENT	
13	91143357	1	HORN	
14	88551010	3	LOCKWASHER, 5/16	
15	88201016	1	HEX HD CAPSCREW, 5/16-18X1/2, GR5	
16	91403600	1	U-BOLT	
17	91471150	1	LATCH MOUNTING BRACKET	
18	88561004	16	FLAT WASHER, 3/8	
19	88501006	2	HEX NUT, 3/8-16	
20	80973096	4	WHIZ-LOCK SCREW, 3/8-16X1-1/2	
21	83201030	4	HEX HD CAPSCREW, 1/8X3-1/2	
22	80241137	4	WASHER	
23	91140001	1	COUNTERWEIGHT	
24	91403574	1	BACK-UP ALARM	
25	88501005	2	HEX NUT, 5/16-18	
26	88201018	2	HEX HD CAPSCREW, 5/16-18X3/4, GR5	
27	91403217	2	REBOUND WASHER	
28	88501014	2	HEX NUT, 7/8-9	
29	91403153	4	SHOCK MOUNT	
30	1001108383	2	HARDENED WASHER	
31	77321274	2	HEX HD CAPSCREW, 7/8-9X5	
32	83201058	4	HEX HD CAPSCREW, 3/4-10X3-3/4	
33	86681572	4	HARD WASHER, 13/16	
34	91403097	4	CAB ISOLATOR MOUNT	
35	91403098	4	TAIL WASHER	
36	88521012	4	HEX LOCKNUT, 3/4-10	
37	91471112	1	OIL PAN COVER	
38	91401487	1	CAB FENDER	
39	80973025	4	WHIZ-LOCK BOLT, 3/8-16X1	
40	88261015	6	SOCKET BUTTON HD CAPSCREW, 1/4-20X5/8	
41	88551009	6	LOCKWASHER, 1/4	
42	91401415	1	ACCESS COVER	
43	88201035	9	HEX HD CAPSCREW, 3/8-16X1, GR5	
44	91473210	1	NON-SKID FLOOR	
45	91474472	1	LATCH BRACKET	
46	88551011	13	LOCKWASHER, 3/8	
47	91471191	1	PLATE VALVE COVER	



FRAME & ATTACHING PARTS

S/N 0190001 thru 0190457 &
016000022 thru 0160004023

Figure 1-1 Frame Shrouding & Trim (Continued)

Item	Part Number	Qty.	Description	Rev.
48	91406115	1	RISER WELDMENT	
49	91513099	1	TETHER, (includes items 57, 58 & 75)	
50	91403526	Ref	TRIM LINE SEAT, (S/N 0190001 thru 0160004023) , (no longer available, use 2915166 for replacement), (see Figure 12-33 for details)	
51	88561002	10	FLAT WASHER, 1/4	
52	88201005	4	HEX HD CAPSCREW, 1/4-20X1, GR5	
53	91403230	1	MANUAL CASE	
54		Ref	CAB ASSY, (see Figure 6-1 for details)	
55	91033029	1	SEAT BELT, (if equipped) , (includes items 56, 57 & 75)	
56	88201549	2	HEX HD CAPSCREW, 7/16-20X1, GR5	
57	88551012	4	SPLIT LOCKWASHER, 7/16	
58	88201551	2	HEX HD CAPSCREW, 7/16-20X1-1/2, GR5	
59	91474419	1	LOCKING PADDLE HANDLE	
60	91474417	1	PADDLE HANDLE GASKET	
61	91474418	1	ROTARY LATCH	
62	91474415	1	LINKAGE ROD	
63	NSS	1	FRAME WELDMENT	
64	88261027	10	SOCKET BUTTON HD CAPSCREW, 3/8-16X3/4	
65	91513121	1	FRONT COVER	
66	91473085	1	COVER MAIN VALVE	
67	88662523	6	NUT	
68	88561003	6	FLAT WASHER, 5/16, (S/N 0190001 thru 0160004023)	
69	77143006	4	WHIZ-LOCK NUT, 5/16-18, (S/N 0190001 thru 0160004023)	
70	91474414	2	BOLT, 5/16X1-1/4	
71	91474413	2	NUT, 5/16	
72	91474412	2	LOCKWASHER, 5/16	
73	91474427	1	LATCH BACKING PLATE	
74	91474416	4	RIVET, 3/16	
75	88501307	4	HEX NUT, 7/16-20	
76	91474422	1	PERFORATED SCREEN	
77	91474473	1	EXHAUST SCREEN KIT	
78	90027473	12	HARDENED WASHER, 3/4	
79	91476044	1	ENGINE POD WELDMENT	
80	83201006	12	HEX HD CAPSCREW, 3/4-10X2	
81	91033320	Ref	TILT GAUGE, (no longer available, use 8466306 for replacement)	
	8466306	1	TILT GAUGE, (with adhesive)	
82	88204912	1	HEX HD CAPSCREW, 1/4-20X1, GR5	
83	88561107	1	FLAT WASHER, 1/4	
84	88521204	1	HEX LOCKNUT, 1/4-20	
85	88561109	6	FLAT WASHER, 3/8	
86	0641809	8	HEX HD CAPSCREW, 1/2-13X7/8, GR5	
87	91404437	13 ft	BULB SEAL	
88	7027772	1	ADHESIVE KIT, (includes 3 tubes & applicator), (enough to do exhaust screen kit)	



Figure 1-1 Frame Shrouding & Trim (Continued)

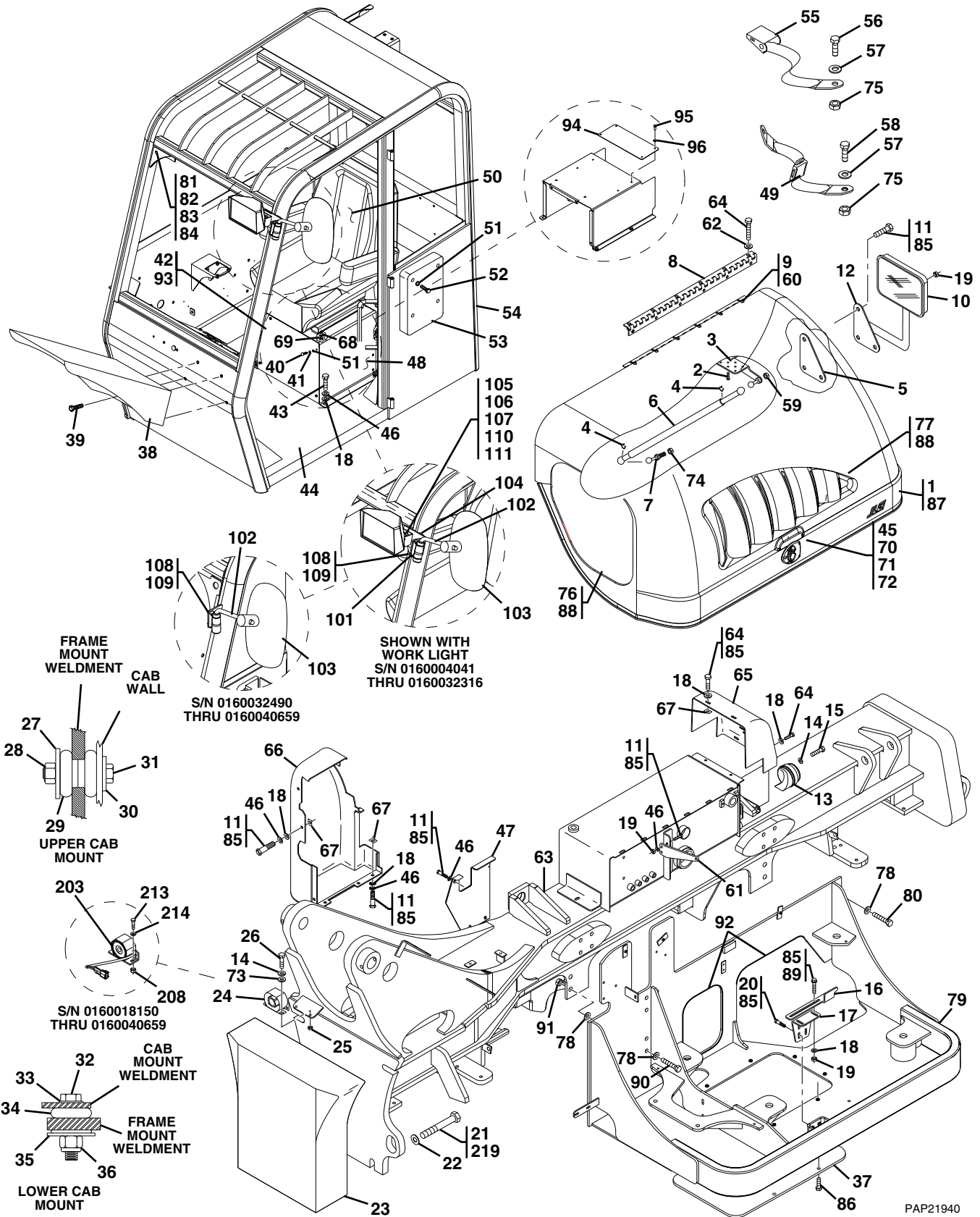
Item	Part Number	Qty.	Description	Rev.



FRAME & ATTACHING PARTS

S/N 0160004041 thru 0160040659

Figure 1-1 Frame Shrouding & Trim



PAP21940



Figure 1-1 Frame Shrouding & Trim

Item	Part Number	Qty.	Description	Rev.
1	91473241	1	ENGINE COVER, (includes items 2, 3, 4, 6, 7, 8, 9, 45, 59, 60, 70, 71, 72, 76, 77, 87 & 88)	C
	8342813	1	ENGINE COVER KEY, (set of 2)	
2	91474411	14	HEX HD CAPSCREW, 8X3/4	
3	91514246	1	PROP BRACKET	
4	91474425	2	PROP CLIP	
5	91471200	1	MIRROR MOUNT BACK PLATE	
6	91474423	1	GAS PROP	
7	91474424	2	BALL STUD, 13mm	
8	91474409	1	HINGE, 36 IN	
9	91474420	6	SOCKET BUTTON HD CAPSCREW, 3/8-16X1-1/4	
10	80263053	1	MIRROR	
11	88201036	14	HEX HD CAPSCREW, 3/8-16X1-1/4, GR5	
12	91476035	1	MIRROR BRACKET WELDMENT	
13	91143357	1	HORN	
14	4761500	3	LOCKWASHER, 5/16	
15	0641504	1	HEX HD CAPSCREW, 5/16-18X1/2, GR5	
16	91501087	1	LATCH BRACKET	
17	91471150	1	LATCH MOUNTING BRACKET	
18	88561004	16	FLAT WASHER, 3/8	
19	88501006	5	HEX NUT, 3/8-16	
20	80973096	4	WHIZ-LOCK SCREW, 3/8-16X1-1/2	
21	83201030	4	HEX HD CAPSCREW, 1/8X3-1/2	
22	80241137	4	WASHER	
23	91140001	1	COUNTERWEIGHT, (no pintle hook)	
	1001091458	1	COUNTERWEIGHT, (with pintle hook)	
24	91403574	1	BACK-UP ALARM, (Before S/N 0160018150)	
25	88501005	2	HEX NUT, 5/16-18, (Before S/N 0160018150)	
26	88201018	2	HEX HD CAPSCREW, 5/16-18X3/4, GR5, (Before S/N 0160018150)	
27	91403217	2	REBOUND WASHER	
28	88501014	2	HEX NUT, 7/8-9	
29	91403153	4	SHOCK MOUNT	
30	1001108383	2	HARDENED WASHER	
31	77321274	2	HEX HD CAPSCREW, 7/8-9X5	
32	83201058	4	HEX HD CAPSCREW, 3/4-10X3-3/4	
33	86681572	4	HARD WASHER, 13/16	
34	91403097	4	CAB ISOLATOR MOUNT	
35	91403098	4	TAIL WASHER	
36	88501012	4	HEX LOCKNUT, 3/4-10	
37	91471112	1	OIL PAN COVER	
38	91401487	1	CAB FENDER	
39	80973025	4	WHIZ-LOCK BOLT, 3/8-16X1	
40	88261015	6	SOCKET BUTTON HD CAPSCREW, 1/4-20X5/8	
41	88551009	6	LOCKWASHER, 1/4	
42	91401415	1	ACCESS COVER, (S/N 0160004041 thru 0160015432)	
	91561150	1	ACCESS COVER, (S/N 0160015458 thru 0160038090)	
	1001103567	1	ACCESS COVER, (S/N 0160038331 & After)	
43	88201035	4	HEX HD CAPSCREW, 3/8-16X1, GR5	
44	91473210	1	NON-SKID FLOOR	



FRAME & ATTACHING PARTS

Figure 1-1 Frame Shrouding & Trim (Continued)

Item	Part Number	Qty.	Description	Rev.
45	7300364	1	LATCH ASSY	
46	88551011	15	LOCKWASHER, 3/8	
47	91471191	1	PLATE VALVE COVER	
48	91406115	1	RISER WELDMENT, (S/N 0160004041 thru 0160015432)	
	91516044	1	RISER WELDMENT, (S/N 0160015458 thru 0160040659)	
49	91513099	1	TETHER, (S/N 0160004041 thru 0160015432), (includes items 57, 58 & 75)	
50	91403526	Ref	TRIM LINE SEAT, (S/N 0160004041 thru 0160015432), (no longer available, use 2915166 for replacement), (see Figure 12-33 for details)	
		Ref	SUSPENSION SEAT WITH 2 IN SEAT BELT, (S/N 0160015458 thru 0160040659), (see Figure 6-6 for details)	
51	88561002	10	FLAT WASHER, 1/4	
52	88201005	4	HEX HD CAPSCREW, 1/4-20X1, GR5	
53	91403230	1	MANUAL CASE	
54		Ref	CAB ASSY, (see Figure 6-1 for details)	
55	91033029	1	SEAT BELT, (not used with optional seat), (includes items 56, 57 & 75)	
56	88201549	2	HEX HD CAPSCREW, 7/16-20X1, GR5	
57	88551012	4	SPLIT LOCKWASHER, 7/16, (S/N 0160004041 thru 0160015432)	
58	88201551	2	HEX HD CAPSCREW, 7/16-20X1-1/2, GR5, (S/N 0160004041 thru 0160015432)	
59	3311502	1	WHIZ-LOCK NUT, 5/16-18	
60	3311605	6	LOCK NUT, 3/8-16	
61	91471238	1	TANK BRACKET	
62	90027470	6	FLAT WASHER, 3/8	
63	NSS	1	FRAME WELDMENT	
64	88261027	10	SOCKET BUTTON HD CAPSCREW, 3/8-16X3/4	
65	91513121	1	FRONT COVER	
66	91473085	1	COVER MAIN VALVE	
67	88662523	8	NUT	
68	88561003	4	FLAT WASHER, 5/16, (S/N 0160004041 thru 0160015432)	
69	77143006	4	WHIZ-LOCK NUT, 5/16-18, (S/N 0160004041 thru 0160015432)	
70	3900395	4	BUTTON HD CAPSCREW, 4X0.7X25mm	
71	3290401	4	HEX NUT, M4X0.7	
72	4811400	4	WASHER, M4	
73	4711500	2	FLAT WASHER, 5/16, (Before S/N 0160018150)	
74	3311502	1	HEX NUT, 5/16-18	
75	88501307	4	HEX NUT, 7/16-20, (S/N 0160004041 thru 0160015432)	
76	7029912	1	PERFORATED SCREEN	
77	91474422	1	EXHAUST SCREEN KIT	
78	90027473	16	HARDENED WASHER, 3/4	
79	91476056	1	ENGINE POD WELDMENT, (S/N 0160004041 thru 0160021166)	
	4341302	1	ENGINE POD WELDMENT, (S/N 0160021195 thru S/N 0160040659)	
80	83201006	18	HEX HD CAPSCREW, 3/4-10X2	
81	NSS	Ref	TILT GAUGE, (no longer available), (S/N 0160004041 thru 0160005712)	
	8466306	1	TILT GAUGE, (with adhesive), (S/N 0160005713 thru 0160040659)	
82	88204912	1	HEX HD CAPSCREW, 1/4-20X1, GR5, (S/N 0160004041 thru 0160005712)	
83	88561107	1	FLAT WASHER, 1/4, (S/N 0160004041 thru 0160005712)	
84	88521204	1	HEX LOCKNUT, 1/4-20, (S/N 0160004041 thru 0160005712)	
85	0100011	AR	LOCTITE® 242™	
86	0641809	8	HEX HD CAPSCREW, 1/2-13X1-1/8, GR5	