



---

# ***Engine Parts Manual***

## ***Models***

***G5-18A, 2505H***

***Agrovector 25.5***

S/N 0160053000 & After including  
0160051045, 0160051047,  
0160051049, 0160051194 &  
0160051359

TD 2.9 L4 Engine  
1001136095 & 1001139668

**31200936**

*Revised*  
September 20, 2013





# EFFECTIVITY PAGE

July 19, 2013 - A - Original Release of Manual

September 20, 2013 - B - Revised Manual

# EFFECTIVITY PAGE

# TABLE OF CONTENTS

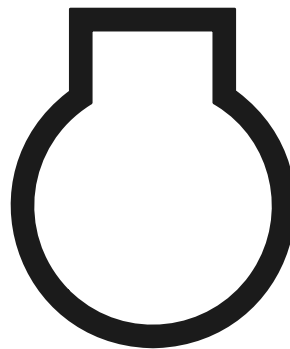
FIGURE NO.	TITLE	PAGE NO.
<b>SECTION 1 –</b>		
	<b>ENGINE</b>	<b>1-1</b>
1-1	Dipstick	1-2
1-2	Breather Line	1-4
1-3	Filler Cap	1-6
1-4	Oil Pan	1-8
1-5	Fly Wheel	1-10
1-6	V-Grooved Pulley	1-12
1-7	V-Grooved Pulley	1-14
1-8	Fastenings	1-16
1-9	Valve Mechanical Cover	1-18
1-10	Heat Protecting Shield	1-20
1-11	Front Cover	1-24
1-12	Lubrication Oil Pump	1-26
1-13	Lubricant Oil Filter	1-28
1-14	Oil Cooler	1-30
1-15	Oil Filter Assembly	1-32
1-16	Oil Suction Pipe	1-34
1-17	High Pressure Pump	1-36
1-18	Fuel Injector	1-38
1-19	Fuel Supply Pump	1-42
1-20	Fuel Filter	1-44
1-21	Fuel Prefilter	1-46
1-22	Rail	1-48
1-23	High Pressure Pipe	1-50
1-24	Fuel Line	1-52
1-25	Fuel Line	1-54
1-26	Intake Pipe	1-56
1-27	Charge Air Elbow	1-58
1-28	Charge Air Pipe	1-60
1-29	Control Unit	1-62
1-30	Coolant Pump	1-64
1-31	V-Grooved Pulley	1-66
1-32	Fastenings	1-68
1-33	Thermostat	1-70
1-34	Pipe/Line/Lead	1-72
1-35	Exhaust Manifold	1-74
1-36	Pipe/Line/Lead	1-76
1-37	EGR-Module	1-78
1-38	Turbocharger	1-80
1-39	V-Grooved Pulley	1-82
1-40	Generator	1-84
1-41	Fastenings	1-86
1-42	Starter	1-88
1-43	Cap	1-90

# TABLE OF CONTENTS

<b>FIGURE NO.</b>	<b>TITLE</b>	<b>PAGE NO.</b>
1-44	Cable Harness .....	1-92
1-45	Fastenings .....	1-94
1-46	Cable Harness .....	1-96
1-47	Tacho Generator .....	1-100
1-48	Temperature Transmitter .....	1-102
1-49	Pressure Sensor .....	1-104
1-50	Sensor .....	1-106
1-51	Connection Housing .....	1-108
1-52	Glow Plug .....	1-110
1-53	Inlet .....	1-112
1-54	Bracket .....	1-114
1-55	Mounting Material .....	1-116
1-56	Returns Elevator .....	1-118
1-57	Special Tools .....	1-120
<b>SECTION 2 – RECOMMENDED SPARE PARTS .....</b>		<b>2-1</b>
<b>SECTION 3 – PART NUMBER INDEX .....</b>		<b>3-1</b>

# **SECTION 1**

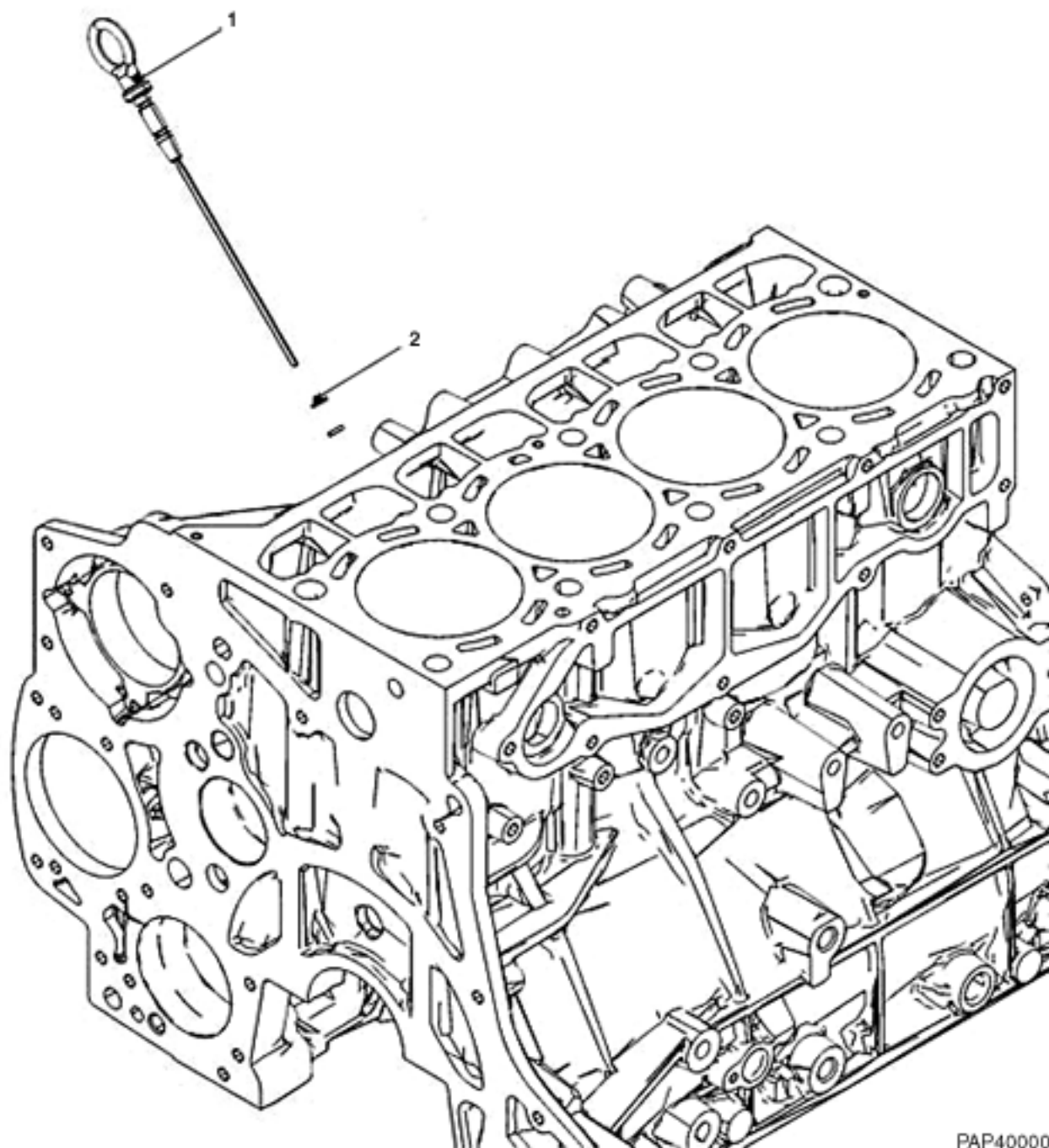
## **ENGINE**





ENGINE

Figure 1-1 Dipstick



PAP40000





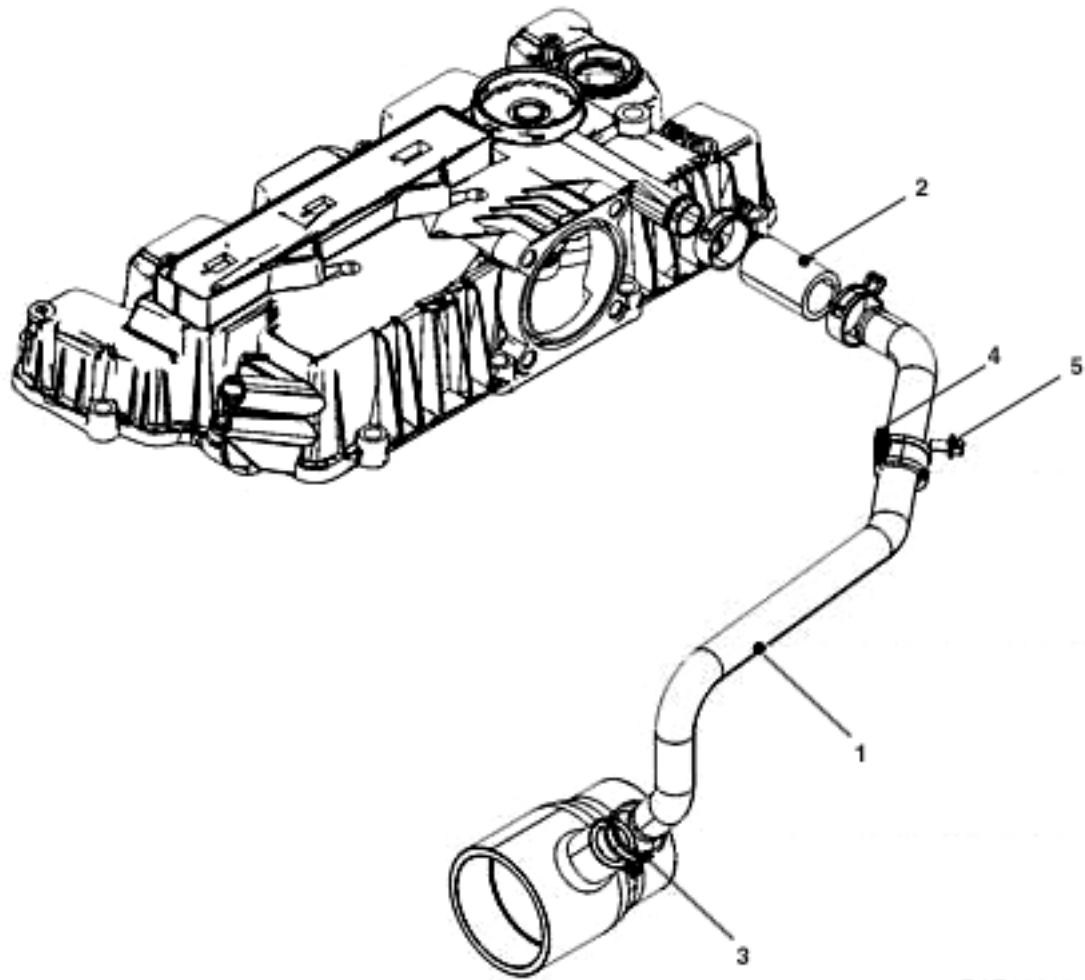
Figure 1-1 Dipstick

Item	Part Number	Qty.	Description	Rev.
1	70024904	1	DIPSTICK, (includes item 2)	
2	70024905	2	O-SEAL	



ENGINE

Figure 1-2 Breather Line



PAP40010