



Illustrated Parts Manual

Models G5-18A 2505

31200360

*Revised
January 22, 2014*



EFFECTIVITY PAGE

February 22, 2008 - A - Original Issue Of Manual

April 30, 2008 - B - Revised Manual

October 23, 2008 - C - Revised Manual

June 12, 2009 - D - Revised Manual

November 18, 2011 - E - Revised Manual

August 6, 2012 - F - Revised Manual

February 25, 2013 - G - Revised Manual

January 22, 2014 - H - Revised Manual

EFFECTIVITY PAGE

TABLE OF CONTENTS

FIGURE NO.	TITLE	PAGE NO.
SECTION 1 –		
FRAME & ATTACHING PARTS		1-1
1-1	Frame Shrouding & Attaching Parts	1-2
1-2	Frame Covers, Shrouding & Attaching Parts	1-8
1-3	Engine Pod Insulation	1-12
1-4	Axle & Fender Installation	1-14
1-5	Hitches	1-16
1-6	License Plate Holder Installation	1-20
1-7	Rear Engine Cover	1-24
SECTION 2 –		
BOOM		2-1
2-1	Boom Assembly - Components	2-2
2-2	Boom Assembly - Pads & Shims	2-4
2-3	Boom Pin Installation	2-6
2-4	Quick Coupler	2-8
2-5	Universal Quick Coupler	2-10
SECTION 3 –		
ATTACHMENTS		3-1
3-1	Standard Carriage	3-2
3-2	Universal Standard Carriage	3-4
3-3	Side Tilt Carriage	3-6
3-4	Universal Side Tilt Carriage	3-8
3-5	Universal Side Shift Carriage	3-10
3-6	Forks	3-12
3-7	Grapple Bucket	3-14
3-8	Light Material Buckets	3-18
3-9	Fork Mounted Hook	3-20
3-10	Universal Hitch Attach	3-24
SECTION 4 –		
ENGINE & ATTACHING PARTS		4-1
4-1	Engine Installation	4-2
4-2	Engine Assembly	4-6
4-3	Perkins Engine	4-8
4-4	Radiator/Oil Cooler Installation	4-10
4-5	Air Cleaner Installation	4-12
4-6	Exhaust Installation	4-14
SECTION 5 –		
DRIVE TRAIN		5-1
5-1	Front Axle Assembly	5-2
5-2	Front Differential & Central Housing	5-4

TABLE OF CONTENTS

FIGURE NO.	TITLE	PAGE NO.
5-3	Front Hub Reduction	5-8
5-4	Front Brakes	5-10
5-5	Front Steering Components	5-12
5-6	Rear Axle Assembly	5-14
5-7	Rear Differential	5-16
5-8	Rear Hub Reduction & Central Housing	5-18
5-9	Rear Steering Components	5-22
5-10	Drive Shaft Installation	5-24
5-11	Tires & Rims	5-26
SECTION 6 –		
CAB		6-1
6-1	Cab Installation	6-2
6-2	Open Cab	6-8
6-3	Enclosed Cab Installation	6-10
6-4	Rear Hinged Window Installation	6-14
6-5	Suspension Seat	6-16
6-6	Wiper Installation	6-18
6-7	Heater & AC - Cab	6-20
6-8	Heater & AC Installation - Engine Pod	6-24
6-9	Overhead Console	6-26
SECTION 7 –		
CONTROLS		7-1
7-1	Boom Joystick	7-2
7-2	Steering Column & Attaching Parts	7-4
7-3	Accelerator Pedal Assembly	7-6
7-4	Brake Assembly	7-8
SECTION 8 –		
HYDRAULIC CIRCUITS		8-1
8-1	Supply Circuit	8-2
8-2	Dump Circuit	8-6
8-3	Steer Select	8-12
8-4	Service/Park Brake	8-14
8-5	Boom Joystick	8-16
8-6	Lift Cylinder	8-24
8-7	Extend/Retract Cylinder	8-28
8-8	Tilt & Compensating	8-30
8-9	Auxiliary Hydraulics	8-32
8-10	Rear Auxiliary Hydraulics	8-34
8-11	Auxiliary Hydraulics Pressure Relief	8-38

TABLE OF CONTENTS

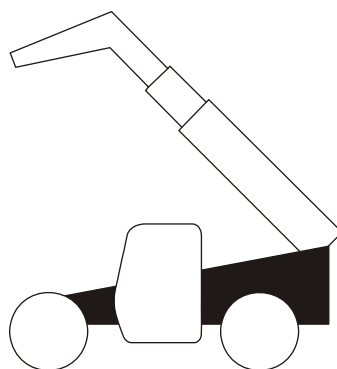
FIGURE NO.	TITLE	PAGE NO.
SECTION 9 –		
HYDRAULIC COMPONENTS		9-1
9-1	Lift Cylinder	9-2
9-2	Extend/Retract Cylinder	9-6
9-3	Tilt Cylinder	9-8
9-4	Compensating Cylinder	9-10
9-5	Hydraulic Quick Coupler Cylinder	9-12
9-6	Rotate/Side Tilt Carriage Cylinder & Grapple Bucket Cylinder	9-14
9-7	Universal Side Shift Cylinder	9-16
9-8	Main Control Valve	9-18
9-9	Front Drive Motor	9-20
9-10	Hydrostatic Transmission	9-22
9-11	Divertor Valve	9-24
9-12	Steering Select Valve	9-28
9-13	Blocking Valve	9-30
9-14	Pilot Select Valve	9-32
9-15	Brake Valves	9-36
9-16	LSI Valve	9-38
9-17	Auxiliary Hydraulic Pressure Relief Valve	9-40
 SECTION 10 –		
ELECTRICAL		10-1
10-1	Electrical Installation	10-2
10-2	Road Lights Installation	10-6
10-3	Work Lights Installation	10-10
10-4	Cab Switches	10-14
10-5	Cab Fuse Holder	10-16
10-6	Frame Base Harness	10-18
10-7	Frame Options Harness	10-24
10-8	Cab Harness	10-30
10-9	Cab Roof Harness	10-40
10-10	Roof Worklight Harness	10-44
10-11	Boom Worklight Harness	10-48
10-12	AC System Harness	10-50
10-13	Boom Aux Harness	10-52
10-14	LSI Timer Installation	10-54
10-15	Speedometer Sensor Installation	10-56
10-16	LSI Installation	10-58
10-17	LSI Axle Sensor & Boom Proximity Sensor Installation	10-60
10-18	Function Cutout Jump Harness	10-62
10-19	Heater Jumper Harness	10-64

TABLE OF CONTENTS

FIGURE NO.	TITLE	PAGE NO.
SECTION 11 –		
	DECALS	11-1
11-1	Frame & Boom Decals	11-2
SECTION 12 –		
	RECOMMENDED SPARE PARTS	12-1
SECTION 13 – PART NUMBER INDEX		
		13-1

SECTION 1

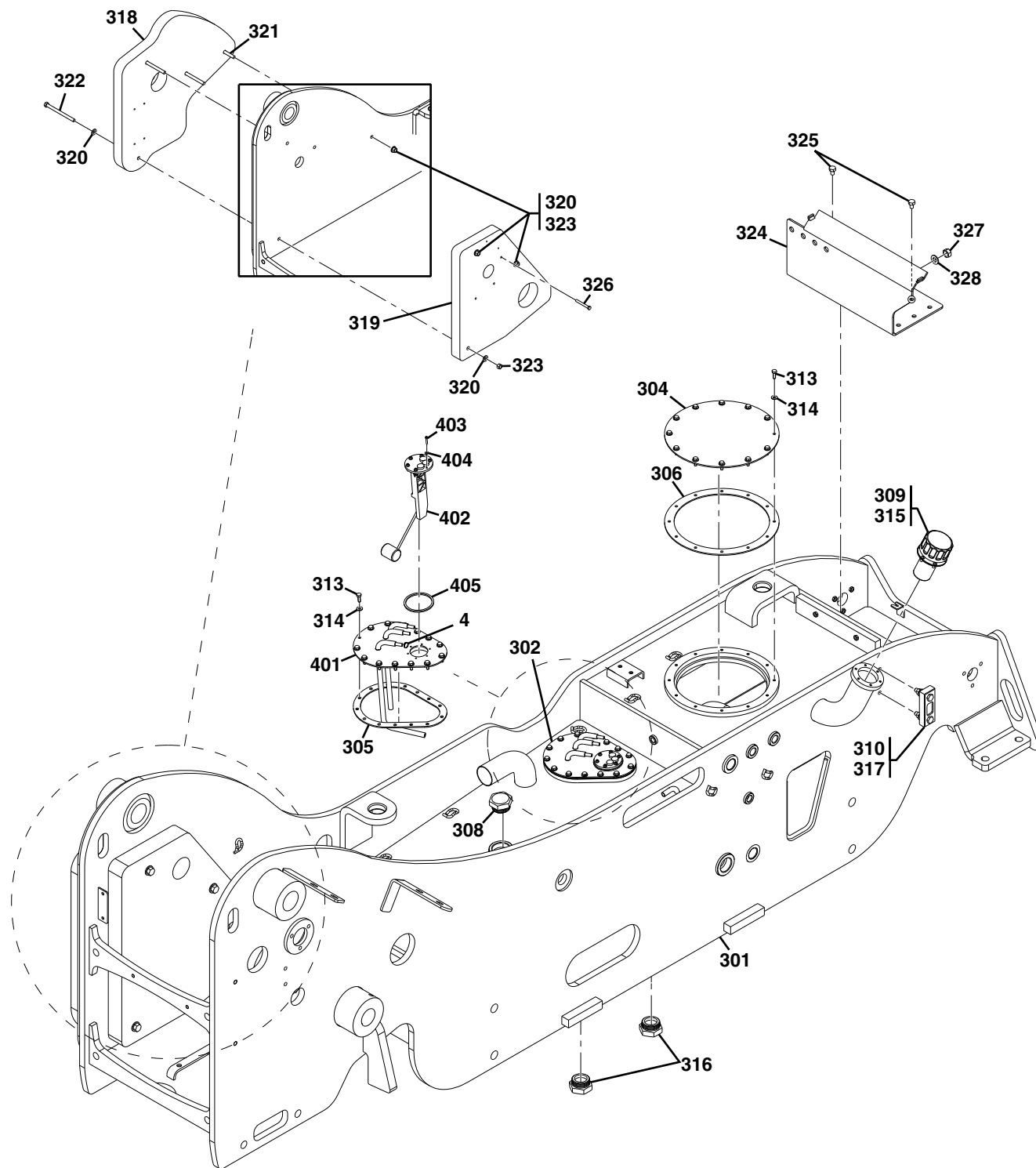
FRAME & ATTACHING PARTS





FRAME & ATTACHING PARTS

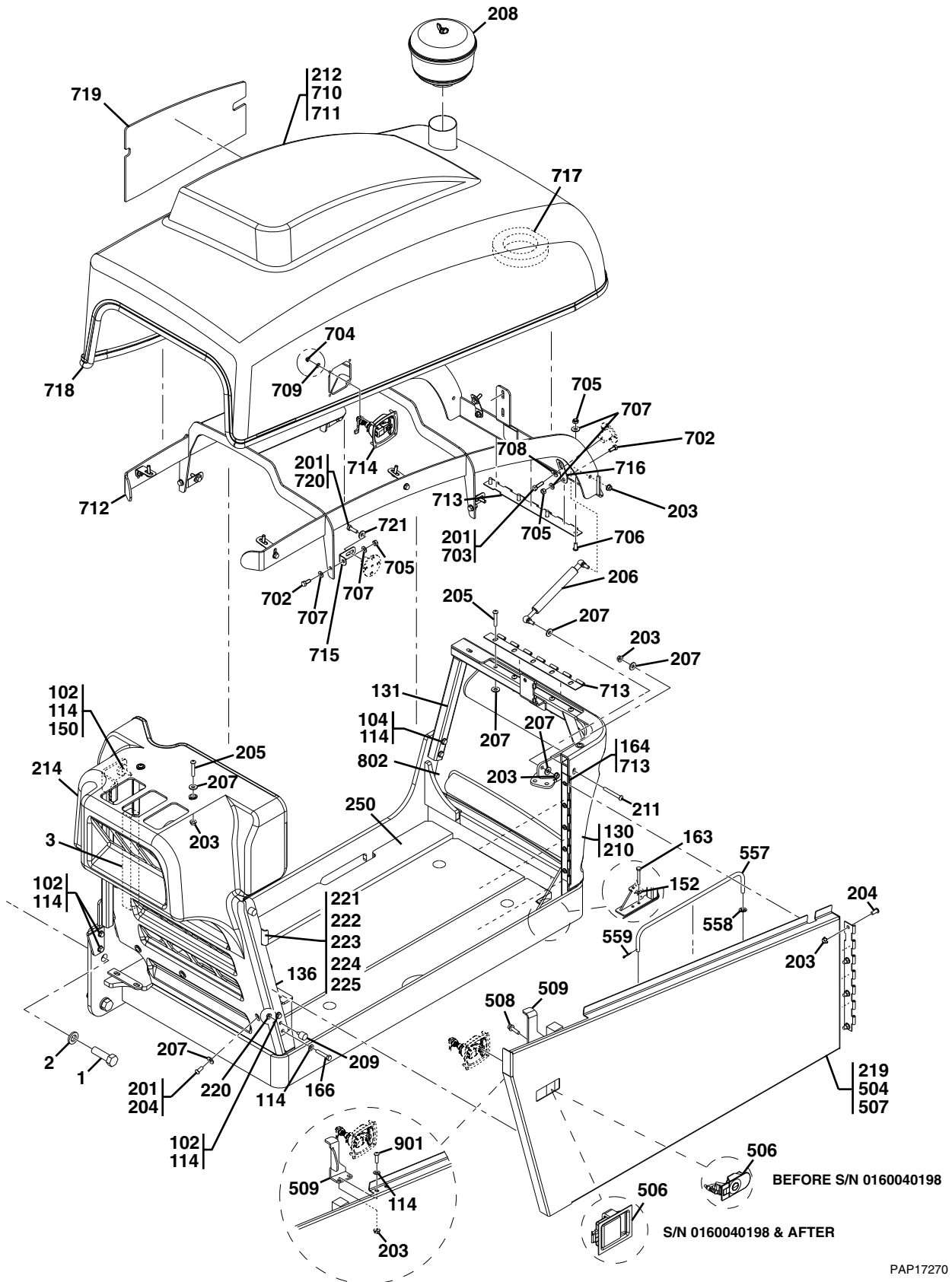
Figure 1-1 Frame Shrouding & Attaching Parts



PAP17320



Figure 1-1 Frame Shrouding & Attaching Parts (Continued)





FRAME & ATTACHING PARTS

Figure 1-1 Frame Shrouding & Attaching Parts

Item	Part Number	Qty.	Description	Rev.
	1001098514	Ref	ENGINE POD INSTALLATION, (not available to order, see items 1 thru 4 for service)	D
1	0682220	4	HEX HD CAPSCREW, 3/4-10X2-1/2, GR8	
2	4892200	4	WASHER, 3/4	
3	1001097360	1	FOAM GASKET SEAL	
4	8410013	3	HOSE CLAMP	
102	0641506	7	HEX HD CAPSCREW, 5/16-18X3/4, GR5	
104	0641514	2	HEX HD CAPSCREW, 5/16-18X1-3/4, GR5	
114	4711500	11	WASHER, 5/16, (Before S/N 0160035834)	
	4700500	9	WASHER, 5/16, (S/N 0160035834 & After)	
130	1001080780	1	ENGINE POD FRAME	
131	1001080791	1	HOOD SUPPORT	
136	1001126233	1	REAR ENGINE MOUNT	
150	1001081036	1	WASHER, 0.375X1.25	
152	4711400	3	WASHER, 1/4	
163	0641406	3	HEX HD CAPSCREW, 1/4-20X3/4, GR5	
164	3900272	5	BUTTON HD SCREW, 5/16-18X1-3/4	
166	0641508	2	HEX HD CAPSCREW, 5/16-18X1	
	1001103075	Ref	HOOD INSTALLATION, (G5-18A - ANSI) , (not available to order, see items 201 thru 225 for service)	B
	1001081433	Ref	HOOD INSTALLATION, (G5-18A - ANSI) , (Agricultural) , (not available to order, see items 201 thru 225 for service)	B
	1001103077	Ref	HOOD INSTALLATION, (2505 - CE & AUS) , (not available to order, see items 201 thru 225 & 250 for service)	C
	1001081440	Ref	HOOD INSTALLATION, (2505 - CE & AUS) , (Agricultural) , (not available to order, see items 201 thru 225 & 250 for service)	C
201	0100011	AR	LOCTITE® 242™	
203	8305626	11	HEX LOCKNUT, 5/16-18, (Before S/N 0160035834)	
	8305626	9	HEX LOCKNUT, 5/16-18, (S/N 0160035834 & After)	
204	0630468	7	BUTTON HD SCREW, 5/16-18X3/4	
205	1001108191	15	BUTTON HD SCREW, 5/16-18X1-3/4	
206	1001081414	1	GAS SPRING	
207	1001108180	10	WASHER, 5/16	
208	1001062773	1	PRE-CLEANER	
209	1001096180	2	RUBBER BUMPER	
210	1001081262	1	FRONT ENGINE COVER, (G5-18A)	
	1001081264	1	FRONT ENGINE COVER, (2505)	
211	1001108243	1	BUTTON HD SCREW, 5/16-18X2-1/2	
212	1001081267	1	ENGINE HOOD, (G5-18A) , (includes items 201, 702 thru 709 & 711 thru 721)	H
	1001081252	1	ENGINE HOOD, (2505) , (includes items 201 & 702 thru 718, 720 & 721)	H
214		Ref	REAR ENGINE COVER, (see Figure 1-7 for details)	
219	1001081190	1	ENGINE DOOR, (Before S/N 0160035834) , (includes 2 of items 114 & 203 & items 504, 506, 509 & 901)	B
	1001081254	1	ENGINE DOOR, (G5-18A S/N 0160035834 thru 0160040158) , (includes items 504, 506, 508 & 509)	E
	1001126034	1	ENGINE DOOR, (G5-18A S/N 0160040198 & After) , (includes items 504, 506, 508 & 509)	B
	1001081256	1	ENGINE DOOR, (2505 S/N 0160035834 thru 0160038061) , (includes items 504 thru 509)	E



Figure 1-1 Frame Shrouding & Attaching Parts (Continued)

Item	Part Number	Qty.	Description	Rev.
	1001126036	1	ENGINE DOOR, (2505 S/N 0160040198 & After), (includes items 504 thru 509)	B
220	3311408	2	NUT, 1/4-20, GR2	
221	1001125107	1	LATCH CATCH BRACKET	
222	3311405	2	NUT, 1/4-20	
223	8310725	2	BUTTON HD SCREW, 1/4-20X1-1/4	
224	4711400	4	WASHER, 1/4	
225	1001138655	5	DOOR LATCH SHIM	
250		Ref	ENGINE POD TRAY INSULATION INSTALLATION, (not shown), (see Figure 1-3 for details)	
	1001130200	Ref	FRAME COMPONENT INSTALLATION, (Before S/N 0160046397), (not available to order, see items 301 thru 326 for service)	D, 4
	1001136913	Ref	FRAME COMPONENT INSTALLATION, (S/N 0160046397 & After), (not available to order, see items 301 thru 328 for service)	B
301	NSS	1	FRAME WELDMENT	
302	1001080196	1	FUEL TANK COVER ASSY, (includes items 401 thru 405)	E
304	1001080091	1	HYDRAULIC TANK COVER	
305	3960622	1	FUEL TANK COVER GASKET	
306	1001080092	1	HYDRAULIC COVER GASKET	
308	1001080944	1	PLUG, (includes o-ring)	
309	1001081070	1	VENTED HYDRAULIC FILLER CAP	
310	91563136	1	OIL LEVEL INDICATOR	
313	0681406	26	HEX HD CAPSCREW, 1/4-20X3/4, GR8	
314	4711400	26	WASHER, 1/4	
315	1001081363	2	MAGNET	
316	2220239	2	PLUG, (includes o-ring)	
317	0100020	AR	PIPE SEALANT	
318	1001130289	1	COUNTERWEIGHT, (outside)	
319	1001130291	1	COUNTERWEIGHT, (inner)	
320	90027471	8	WASHER, 1/2	
321	0641836	1	HEX HD CAPSCREW, 1/2-13X4-1/2, GR5	
322	0641852	3	HEX HD CAPSCREW, 1/2-13X6-1/2, GR5	
323	3271801	4	HEX NUT, 1/2X13, GR8	
324	1001133671	1	ELECTRICAL COMPONENTS MOUNTING BRACKET	
325	0641403	2	HEX HD CAPSCREW, 1/4-20X3/8, GR5	
326	0641624	1	HEX HD CAPSCREW, 3/8-16X3, GR5	
327	3271601	1	HEX NUT, 3/8X16, GR8	
328	4751600	1	WASHER, 3/8	
401	3380724	1	FUEL TANK COVER	
402	2420205	1	FUEL GAUGE	
403	88212210	6	SOCKET HD CAPSCREW, 6-32X3/4	
404	4750600	6	WASHER, #6	
405	1001080162	1	FUEL LEVEL SENDER GASKET	
504	1001096153	1	ENGINE COMPARTMENT DOOR, (Before S/N 0160040198)	
	1001126033	1	ENGINE COMPARTMENT DOOR, (S/N 0160040198 & After)	
506	1001096450	1	COMPRESSION LEVER LATCH, (Before S/N 0160040198)	
	2940045	1	PADDLE LATCH, (S/N 0160040198 & After)	
507		Ref	DOOR PANEL INSULATION INSTALLATION, (see Figure 1-3 for details)	



FRAME & ATTACHING PARTS

Figure 1-1 Frame Shrouding & Attaching Parts (Continued)

Item	Part Number	Qty.	Description	Rev.
508	0791508	2	SCREW, 5/16-18X1	
509	1001096187	1	HOOD LATCH BRACKET, (Before S/N 0160035834)	
	1001103939	1	HOOD LATCH PLATE, (S/N 0160035834 & After)	
557	1001081096	1	ROD	
558	8310070	1	PUSHNUT	
559	3450303	1	COTTER PIN	
702	0641506	9	HEX HD CAPSCREW, 5/16-18X3/4, GR5	
703	0641508	2	HEX HD CAPSCREW, 5/16-18X1, GR5	
704	3290605	4	HEX LOCKNUT, M6X1, GR5	
705	3311505	13	HEX LOCKNUT, 5/16-18, GR2	
706	3900210	4	BUTTON HD SCREW, 5/16-18X3/4	
707	4711500	22	WASHER, 5/16	
708	4751500	2	WASHER, 5/16	
709	4811700	4	WASHER, 6mm	
710		Ref	HOOD INSULATION INSTALLATION, (see Figure 1-3 for details)	
711	1001096142	1	ENGINE COVER	
712	1001096144	1	HOOD SUPPORT	
713	1001096148	2	CONTINUOUS HINGE	
714	1001096152	1	COMPRESSION LATCH	
715	1001096697	7	HOOD ATTACH CLIP	
716	1001096698	2	HOOD ATTACH CLIP	
717	1001096782	1	AIR INTAKE HOOD SEAL	
718	1001097160	14.8 ft	SELF GRIPPING BULB SEAL	
719	1001081419	1	HEAT SHIELD INSULATE	
720	0641512	7	HEX HD CAPSCREW, 5/16-18X1-1/2, GR5	
721	1001145211	14	WASHER, 5/16	
		Ref	FRONT COVER INSTALLATION, (2505) , (not available to order, see items 210 & 802 for service)	
802		Ref	FRONT COVER INSULATION INSTALLATION, (see Figure 1-3 for details)	
901	0630468	2	BUTTON HD SCREW, 5/16-18X1, (Before S/N 0160035834)	



Figure 1-1 Frame Shrouding & Attaching Parts (Continued)

Item	Part Number	Qty.	Description	Rev.



Figure 1-2 Frame Covers, Shrouding & Attaching Parts

Item	Part Number	Qty.	Description	Rev.
	0275491	Ref	FRAME INSTALLATION, (not available to order, see items 2 thru 35 for service)	P
2	88501012	2	HEX NUT, 3/4-10	
4	0641506	2	HEX HD CAPSCREW, 5/16-18X3/4, GR5	
5	8405006	2	GEAR CLAMP	
6	86883327	2	HOSE CLAMP	
7	0682220	4	HEX HD CAPSCREW, 3/4-10X2-1/2, GR8	
8	1001080086	1	FUEL FILL HOSE	
10	4711500	2	WASHER, 5/16	
11	4752200	4	WASHER, 3/4	
12	1001080171	1	REAR PLATE	
13	1001080573	1	FUEL NOZZLE TUBE	
18	4891500	6	WASHER, 5/16	
22	1001080084	1	HYDRAULIC TANK HOSE	
24	4712200	1	WASHER, 3/4	
25	4762200	1	LOCKWASHER, 3/4	
26	1001081159	1	MIRROR BRACKET	
27	1001133822	1	HEADLIGHT BRACKET	
28	3272201	2	HEX NUT, 3/4-10, GR8	
29	0641514	3	HEX HD CAP SCREW, 5/16-18X1-3/4, GR5	
30	3931416	2	SOCKET HD CAPSCREW, 1/4-20X1	
31	3311505	3	LOCKNUT, 5/16-18, GR2	
32	1001081185	1	BOOM STOP PAD	
33	1001081304	1	SEAL	
34	1001081305	1	SEAL	
35	1001081364	2	GROMMET	
	1001081106	Ref	COUNTERWEIGHT INSTALLATION, (G5-18A) , (not available to order, see items 101 thru 103 for service)	B
	1001081107	Ref	COUNTERWEIGHT INSTALLATION, (2505 - CE) , (not available to order, see items 101 thru 103 for service)	B
	1001107711	Ref	COUNTERWEIGHT INSTALLATION, (2505 - AUS), (Before S/N 0160045913) , (not available to order, see items 151 thru 163 for service)	D
101	0682220	4	HEX HD CAPSCREW, 3/4-10X2-1/2, GR8	
102	4752200	4	WASHER, 3/4	
103	1001080861	1	COUNTERWEIGHT, 460 lb, (G5-18A)	
	1001081105	1	COUNTERWEIGHT, 129 kg, (2505)	
151	0682232	2	HEX HD CAPSCREW, 3/4-10X4, GR8	
152	0682234	4	HEX HD CAPSCREW, 3/4-10X4-1/4, GR8	
153	0682238	2	HEX HD CAPSCREW, 3/4-10X4-3/4, GR8	
154	4712200	8	WASHER, 3/4	
155	88501012	6	HEX NUT, 3/4-10	
156	1001107651	1	BOTTOM WEIGHT, (AUS)	
157	1001107652	1	LEFT WEIGHT, (AUS)	
158	1001107653	1	RIGHT WEIGHT, (AUS)	
159	1001107701	1	REAR WEIGHT, (AUS)	
162	0681810	2	HEX HD CAPSCREW, 1/2-13X1-1/4, GR8	
163	4711800	2	WASHER, 1/2	
171	1001137099	1	COUNTERWEIGHT ASSY, (2505 - AUS), (S/N 0160045913 & After)	D



FRAME & ATTACHING PARTS

Figure 1-2 Frame Covers, Shrouding & Attaching Parts (Continued)

Item	Part Number	Qty.	Description	Rev.
	1001080090	Ref	BATTERY COVER INSTALLATION, (2505 Before S/N 0160042694, G5-18A Before S/N 0160046397) , (not available to order, see items 201 thru 203 for service)	D
	1001133788	Ref	BATTERY COVER INSTALLATION, (2505 S/N 0160042694 & After, G5-18A S/N 0160046397 & After) , (not available to order, see items 201 thru 203 for service)	A
201	1001080163	Ref	BATTERY COVER, (Before S/N 0160037452) , (no longer available, use Kit K1 for replacement)	
	1001112694	1	BATTERY COVER, (2505 S/N 0160037452 thru 0160042693, G5-18A S/N 0160037452 thru 0160046248)	
	1001133787	1	BATTERY COVER, (2505 S/N 0160042694 & After, G5-18A S/N 0160046397 & After)	
202	1001081000	1	CAM LOCK LATCH	
203	1001080644	1	CAM LATCH	
	1001080571	Ref	FUEL CAP INSTALLATION, (not available to order, see items 301 thru 303 for service)	B
301	1001001422	1	NECK FILLER ADAPTER	
302	1001080707	1	LOCKING CAP	
303	0100093	AR	LOCTITE® 30512™, (apply to item 301)	
	0275779	Ref	WHEEL CHOCK INSTALLATION, (if equipped), (Germany) , (not available to order, see items 401 thru 405 for service)	C
401	806253	1	WEDGE	
402	4811900	4	WASHER, 8mm	
403	0760806	4	HEX HD CAPSCREW, M8X12, GR8.8	
404	1060628	1	CABLE TIE DOWN	
405	806264	1	WEDGE HOLDER	
501		Ref	CAB ASSY, (see Figure 6-1 for details)	
502		Ref	ROAD LIGHT INSTALLATION, (see Figure 10-2 for details)	
601	80363195	1	MIRROR, (G5-18A)	
602	1001148177	1	RECTANGULAR MIRROR, (2505)	
603	1001008436	1	MIRROR, (2505) , (includes items 604 thru 606)	B
604	1001008475	2	LOCKWASHER, #12	
605	1001009062	2	WASHER	
606	1001010838	2	HEX HD BOLT	
	0275778	Ref	LIFT CYLINDER PROP INSTALLATION, (2505) , (not available to order, see items 701 thru 704 for service)	B
701	909304	AR	PROFILE RUBBER, 18X5mm	
702	1271599	1	LIFT CYLINDER PROP WELDMENT	
703	1784861	2	O-RING	
704	1001099887	2	SCREW, M12X103	
853		Ref	LICENSE PLATE LIGHT, (see Figure 10-2 for details)	
	1001104784	Ref	REAR CONVEX MIRROR INSTALLATION, (not available to order, see items 901 thru 904 for service)	A
	1001112236	Ref	REAR CONVEX MIRROR INSTALLATION, (2505 - AUS) , (not available to order see items 901 thru 904 for service)	B
901	4712200	2	WASHER, 3/4	



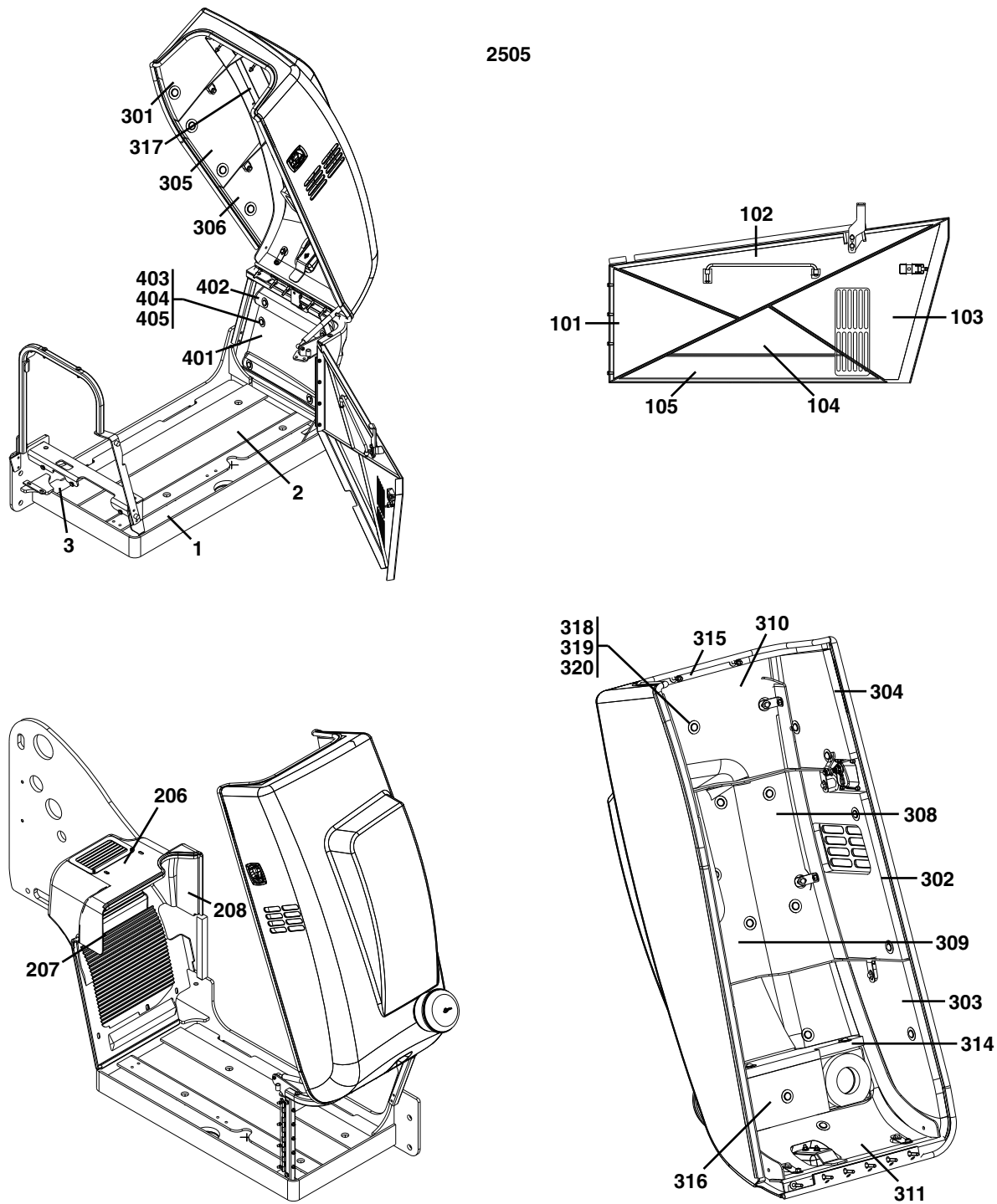
Figure 1-2 Frame Covers, Shrouding & Attaching Parts (Continued)

Item	Part Number	Qty.	Description	Rev.
902	88501012	2	HEX NUT, 3/4-10	
903	1001008436	1	MIRROR, (includes items 954 thru 956)	B
904	1001080241	1	BAR	
	1001111700	1	BAR, (2505 - AUS)	
954	1001008475	2	LOCKWASHER, #12	
955	1001009062	2	WASHER	
956	1001010838	2	HEX HD BOLT	
1001	0100071	AR	ADHESIVE, LOCTITE® 262™	
1002	0682220	4	HEX HD CAPSCREW, 3/4 -10X2-1/2	
1003	4752200	4	WASHER, 3/4	
K1	1001112683	1	ENGINE COVER REPLACEMENT KIT, (Before S/N 0160036866)	
	1001112684	1	ENGINE COVER REPLACEMENT KIT, (2505 S/N 0160036866 thru 0160042693, G5-18A S/N 0160046397 & After)	



FRAME & ATTACHING PARTS

Figure 1-3 Engine Pod Insulation



PAP17470