



Illustrated Parts Manual

Models G10-55A & G12-55A AccuPlace

31200454

*Revised
April 3, 2014*



EFFECTIVITY PAGE

December 18, 2008 - A - Original Issue Of Manual

April 3, 2014 - B - Revised Manual

EFFECTIVITY PAGE

TABLE OF CONTENTS

FIGURE NO.	TITLE	PAGE NO.
SECTION 1 –		
FRAME & ATTACHING PARTS		1-1
1-1	Frame Shrouding & Trim	1-2
1-2	Axle & Fender Mounting	1-6
1-3	Outrigger Mounting	1-8
1-4	Pintle Hook Install	1-10
SECTION 2 –		
BOOM		2-1
2-1	First Boom Section	2-2
2-2	Wear Pads, Spacers & Shims, (First Boom Section)	2-10
2-3	Second Boom Section	2-14
2-4	Wear Pads, Spacers & Shims, (Second Boom Section)	2-22
2-5	Third Boom Section	2-26
2-6	Wear Pads, Spacers & Shims, (Third Boom Section)	2-30
2-7	Fourth Boom Section	2-34
2-8	Wear Pads, Spacers & Shims, (Fourth Boom Section)	2-38
2-9	Quick Switch Assembly	2-42
SECTION 3 –		
ATTACHMENTS		3-1
3-1	Tilt Carriage	3-2
3-2	Buckets	3-4
3-3	50", 60" & 72" Side Tilt Carriage	3-6
3-4	12' & 15' Truss Boom	3-8
3-5	12' Truss Boom w/ Winch	3-10
3-6	Sheet Material Handler Assembly	3-12
3-7	72" 90 Degree Swing Carriage	3-14
3-8	Forks	3-16
3-9	Fork Mounted Lifting Hook	3-18
3-10	72" 180 Degree Swing Carriage	3-20
3-11	Fork Mounted Platform	3-24
3-12	Grapple Bucket	3-26
3-13	Fork Pin Lock Installation	3-28
SECTION 4 –		
ENGINE & ATTACHING PARTS		4-1
4-1	Engine Assembly	4-2
4-2	Perkins Engine	4-6
4-3	Fuel Tank & Lines	4-8
4-4	Radiator Assembly	4-10
4-5	Air Cleaner Installation	4-14
4-6	Exhaust Installation	4-18
4-7	ZF Transmission	4-20

TABLE OF CONTENTS

FIGURE NO.	TITLE	PAGE NO.
4-8	ZF Transmission Assembly - Torque Converter & Input Group	4-22
4-9	ZF Transmission Assembly - Gearbox Housing Group	4-24
4-10	ZF Transmission Assembly - Forward Gear Group	4-26
4-11	ZF Transmission Assembly - Reverse Gear Group	4-28
4-12	ZF Transmission Assembly - 1st Shaft Group	4-30
4-13	ZF Transmission Assembly - 2nd Shaft Group	4-32
4-14	ZF Transmission Assembly - 3rd Shaft Group	4-34
4-15	ZF Transmission Assembly - 4th Shaft Group	4-36
4-16	ZF Transmission Assembly - Power Take-Off Group	4-38
4-17	ZF Transmission Assembly - Control Unit & Pressure Regulator Group	4-40
4-18	ZF Transmission Assembly - Gearshift System Group	4-42
4-19	ZF Transmission Assembly - Oil Pump, Filter & Dipstick Group	4-44
4-20	ZF Transmission Assembly - Transfer Box Group	4-46
SECTION 5 –		
DRIVE TRAIN		5-1
5-1	Front Axle Assembly	5-2
5-2	Front Axle - Central Housing & Steering Group	5-4
5-3	Front Axle - Differential Group	5-6
5-4	Front Axle - Hub Reduction Group	5-8
5-5	Front Axle - Brakes Group	5-12
5-6	Rear Axle Assembly	5-14
5-7	Rear Axle - Central Housing & Steering	5-16
5-8	Rear Axle - Differential Group	5-18
5-9	Rear Axle - Hub Reduction Group	5-20
5-10	Rear Axle - Brakes Group	5-24
5-11	Drive Shaft	5-26
5-12	Tires & Rims	5-28
SECTION 6 –		
CAB		6-1
6-1	Cab Assembly	6-2
6-2	Cab	6-6
6-3	Suspension Seat	6-10
6-4	Instrument Panel	6-12
6-5	Heating Components	6-14
6-6	Air Conditioning	6-16
6-7	Air Conditioning Components	6-18
6-8	Top Cab Glass Shield	6-22
6-9	Front Cab Glass Shield	6-24
SECTION 7 –		
CONTROLS		7-1
7-1	Boom Joystick	7-2

TABLE OF CONTENTS

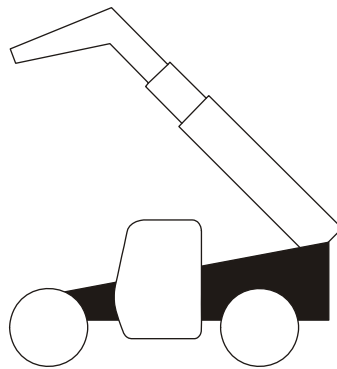
FIGURE NO.	TITLE	PAGE NO.
7-2	Steering Column & Attaching Parts	7-4
7-3	Brake Pedal Assembly	7-6
7-4	Accelerator Pedal	7-8
SECTION 8 –		
HYDRAULIC CIRCUITS		8-1
8-1	Engine Hydraulics Install	8-2
8-2	Cab Hydraulics Install	8-4
8-3	Manifold & Accumulator Install	8-6
8-4	Lift and Outrigger Hydraulics	8-10
8-5	Transmission Hydraulics	8-12
8-6	Boom Hydraulics Assy	8-14
8-7	Auxiliary Hydraulics	8-18
SECTION 9 –		
HYDRAULIC COMPONENTS		9-1
9-1	Lift Cylinder	9-2
9-2	Extend/Retract Cylinder	9-6
9-3	Tilt Cylinder	9-8
9-4	Frame Level Cylinder	9-12
9-5	Stabilizer Cylinder	9-14
9-6	Outrigger Cylinder Assembly	9-16
9-7	Hydraulic Pump	9-18
9-8	Hydraulic Tank Assembly	9-20
9-9	Brake Valve	9-22
9-10	Hydraulic Manifold Valve	9-26
9-11	Steer Select Valve	9-28
9-12	180 Degree Swing Carriage Cylinder	9-30
9-13	Grapple Bucket Cylinder	9-32
9-14	Side Tilt Carriage Cylinder	9-34
9-15	72" 90 Degree Swing Carriage Cylinder	9-36
9-16	Frame Level, Outrigger Valve Install	9-38
9-17	Auxiliary Valve	9-40
SECTION 10 –		
ELECTRICAL		10-1
10-1	Electrical Installation	10-2
10-2	Battery & Cables	10-4
10-3	Work Light	10-6
10-4	Engine Harness	10-10
10-5	Chassis Harness	10-12
10-6	Dash Harness	10-16
10-7	Transmission Relay Harness	10-18
10-8	Enclosed Cab Harness	10-20

TABLE OF CONTENTS

FIGURE NO.	TITLE	PAGE NO.	
10-9	VEC Options Harness	10-22	
10-10	Cab Work Light Harness	10-24	
10-11	Boom Work Light Harness	10-26	
10-12	Lift Valve Harness	10-28	
10-13	Extend/Retract Valve Harness	10-30	
10-14	Lower Boom Harness	10-32	
10-15	Boom Harness	10-34	
10-16	Cab Control Harness	10-36	
10-17	A/C Wire Harness	10-38	
 SECTION 11 –			
	DECALS	11-1	
11-1	Cab & Frame Decals	11-2	
11-2	Boom Decals	11-6	
 SECTION 12 –			
	RECOMMENDED SPARE PARTS	12-1	
 SECTION 13 – PART NUMBER INDEX			13-1

SECTION 1

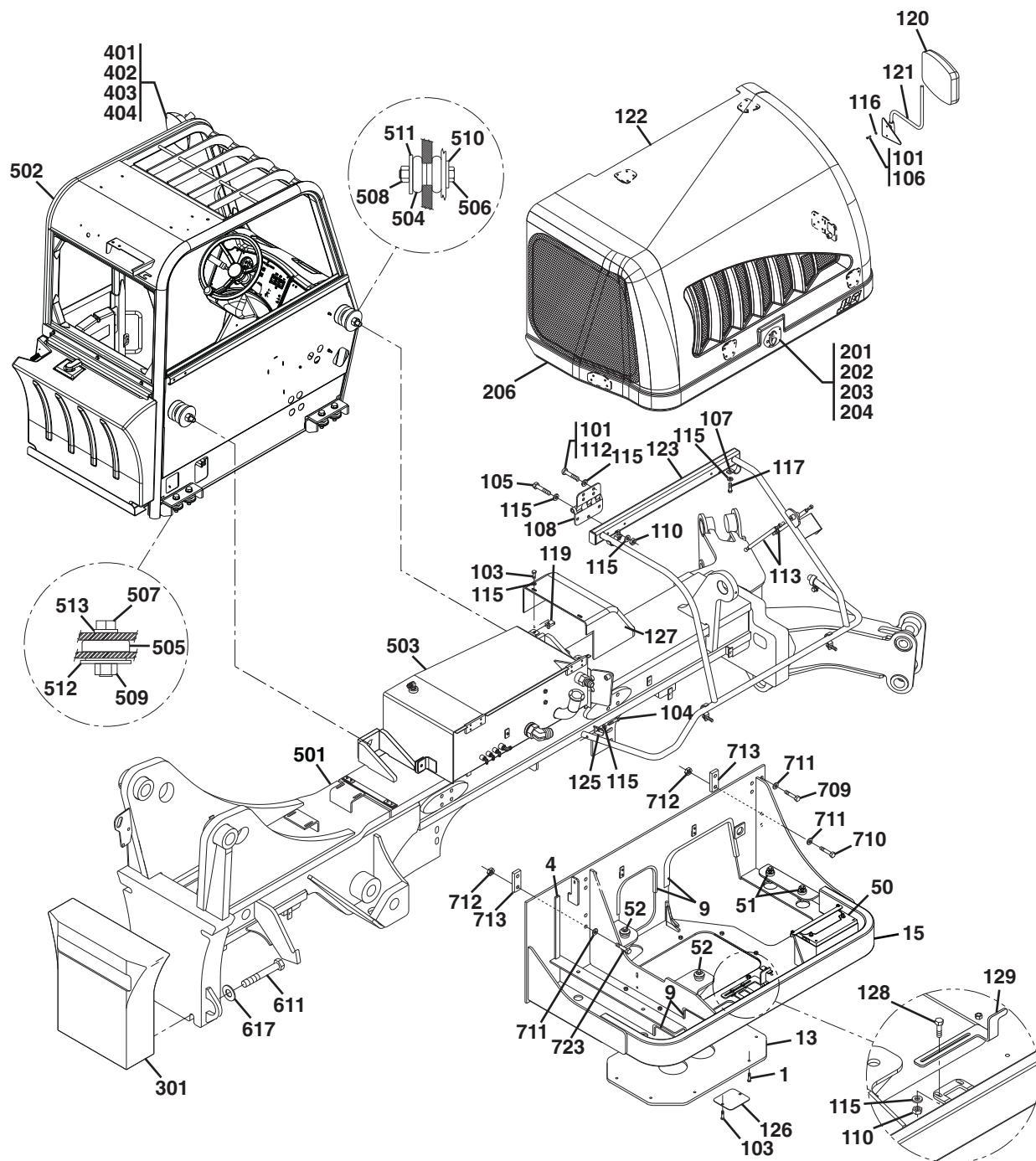
FRAME & ATTACHING PARTS





FRAME & ATTACHING PARTS

Figure 1-1 Frame Shrouding & Trim



PY1090



Figure 1-1 Frame Shrouding & Trim

Item	Part Number	Qty.	Description	Rev.
	1001001660	1	ENGINE POD, (includes items 1 thru 52)	E
1	0641807	6	HEX HD CAPSCREW, 1/2-13X7/8, GR5	
4	3960477	1	FOAM GASKET SEAL	
9	91143220	7.3 ft	TRIM-LOK	
13	91561242	1	OIL PAN COVER PLATE	
15	91566027	1	ENGINE POD	
50		Ref	BATTERY & BATTERY HOLD DOWN, (see Figure 10-2 for details)	
51		Ref	FRONT ENGINE MOUNT, (see Figure 4-1 for details)	
52		Ref	REAR ENGINE MOUNT, (see Figure 4-1 for details)	
	91569007	1	ENGINE COVER, (includes items 101 thru 129)	E
101	0100011	AR	LOCTITE® 242™	
103	0641608	8	HEX HD CAPSCREW, 3/8-16X1, GR5	
104	0641610	1	HEX HD CAPSCREW, 3/8-16X1 1/4, GR5	
105	0641622	6	HEX HD CAPSCREW, 3/8-16X2 3/4, GR5	
106	0700610	2	HEX HD SCREW, M6X20, GR8.8	
107	2080051	5	CLAMP	
108	2600262	2	OFFSET HINGE	
110	3311605	8	HEX LOCK NUT, 3/8-16, GR2	
112	3900280	8	BUTTON HD SCREW, 3/8-16X5/8	
113	4160194	2	GAS SPRING	
115	4711600	34	WASHER, 3/8	
116	4751500	2	WASHER, 5/16	
117	0641607	5	HEX HD CAPSCREW, 3/8-16X7/8, GR5	
119	88662523	6	TINNERMAN NUT	
120	80363195	1	HOOD MOUNTED MIRROR	
121	91513194	1	MIRROR BRACKET	
122	1671219	1	ENGINE COVER, (includes items 201 thru 210)	
123	4341070	1	ENGINE COVER SUPPORT/MOUNT	
125	91561262	1	COVER MOUNT BRACKET	
126	91561246	1	COVER PLATE	
127	91563155	1	FRONT COVER	
128	0791610	2	SCREW, 3/8-16X1 1/4	
129	91561297	1	LATCH CATCH BRACKET	
201	3900395		BUTTON HD CAPSCREW, M4X.7X25	
202	4811400	4	FLATWASHER, M4	
203	3290401	4	HEX NUT, M4X.7	
204	7300364	1	LATCH ASSY	
	8342813	1	KEY	
205	0902956	1	HOOD BRACKET	
206	3960418	90 in	BULB SEAL	
207	0902955	1	HOOD MOUNTING BRACKET	
208	3340877	5	RUBBER PAD	
209	0100081	AR	LOCTITE® 454™	
210	0902746	4	MOUNTING BRACKET	
301	91140001	1	COUNTER WEIGHT, (no pintle hook)	
	91565086	1	COUNTER WEIGHT, (with pintle hook), (see Figure 1-4 for details)	
	1001097149	1	LH MIRROR ASSY, (includes items 401 thru 404)	A



FRAME & ATTACHING PARTS

Figure 1-1 Frame Shrouding & Trim (Continued)

Item	Part Number	Qty.	Description	Rev.
401	8866530	1	MIRROR MOUNT ARM	
402	8866514	1	MIRROR HEAD	
403	8307024	2	LOCK WASHER, M6	
404	8303799	2	HEX HD CAPSCREW, M6X1X14MM	
501	91566001	1	FRAME WELDMENT	
502		Ref	CAB ASSY, (see Figure 6-1 for details)	
503		Ref	HYDRAULIC TANK ASSY, (see Figure 9-8 for details)	
504	91563061	4	CAB MOUNT ISOLATOR	
505	91403097	4	CENTER BONDED MOUNT	
506	0682652	2	HEX HD CAPSCREW, 1-8X6 1/2, GR8	
507	0682230	4	HEX HD CAPSCREW, 3/4-10X3 3/4, GR8	
508	88501016	2	HEX NUT, 1-8	
509	88501012	4	HEX NUT, 3/4-10	
510	1001106614	2	WASHER	
511	91563062	2	WASHER	
512	91403098	4	TAIL WASHER	
513	90027473	4	WASHER, 3/4	
611	83201147	4	HEX HD CAPSCREW, 1-8X8X-1/2, GR 8	
617	80241137	4	SPECIAL WASHER	
709	0682216	8	HEX HD CAPSCREW, 3/4-10X2, GR8	
710	0642232	2	HEX HD CAPSCREW, 3/4-10X4, GR5	
711	4892200	12	WASHER, 3/4	
712	3312206	4	HEX NUT, 3/4-10	
713	91561175	2	BACKING PLATE	
723	0642236	2	HEX HD CAPSCREW, 3/4-10X4 1/2, GR5	



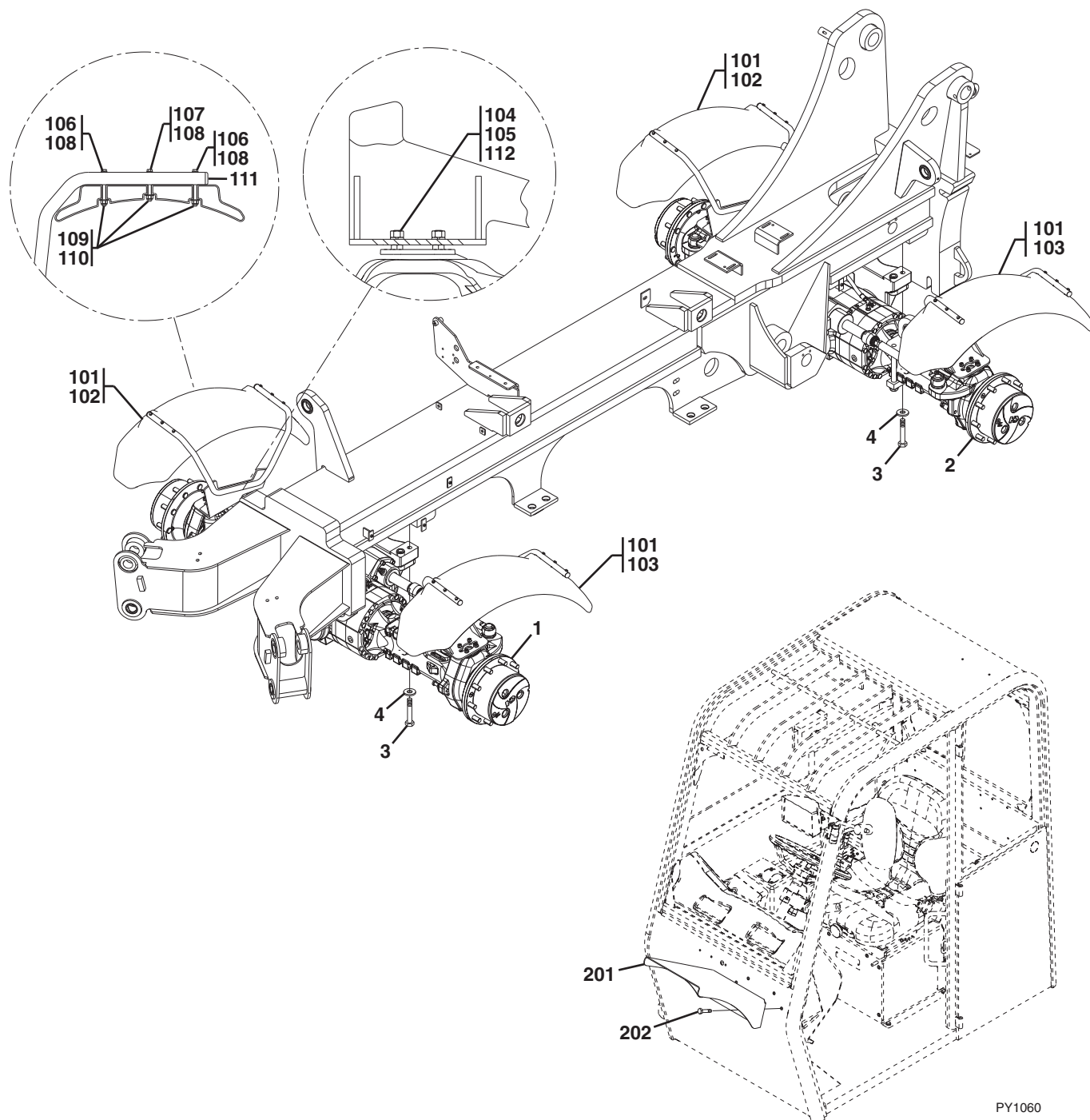
Figure 1-1 Frame Shrouding & Trim (Continued)

Item	Part Number	Qty.	Description	Rev.



FRAME & ATTACHING PARTS

Figure 1-2 Axle & Fender Mounting



PY1060



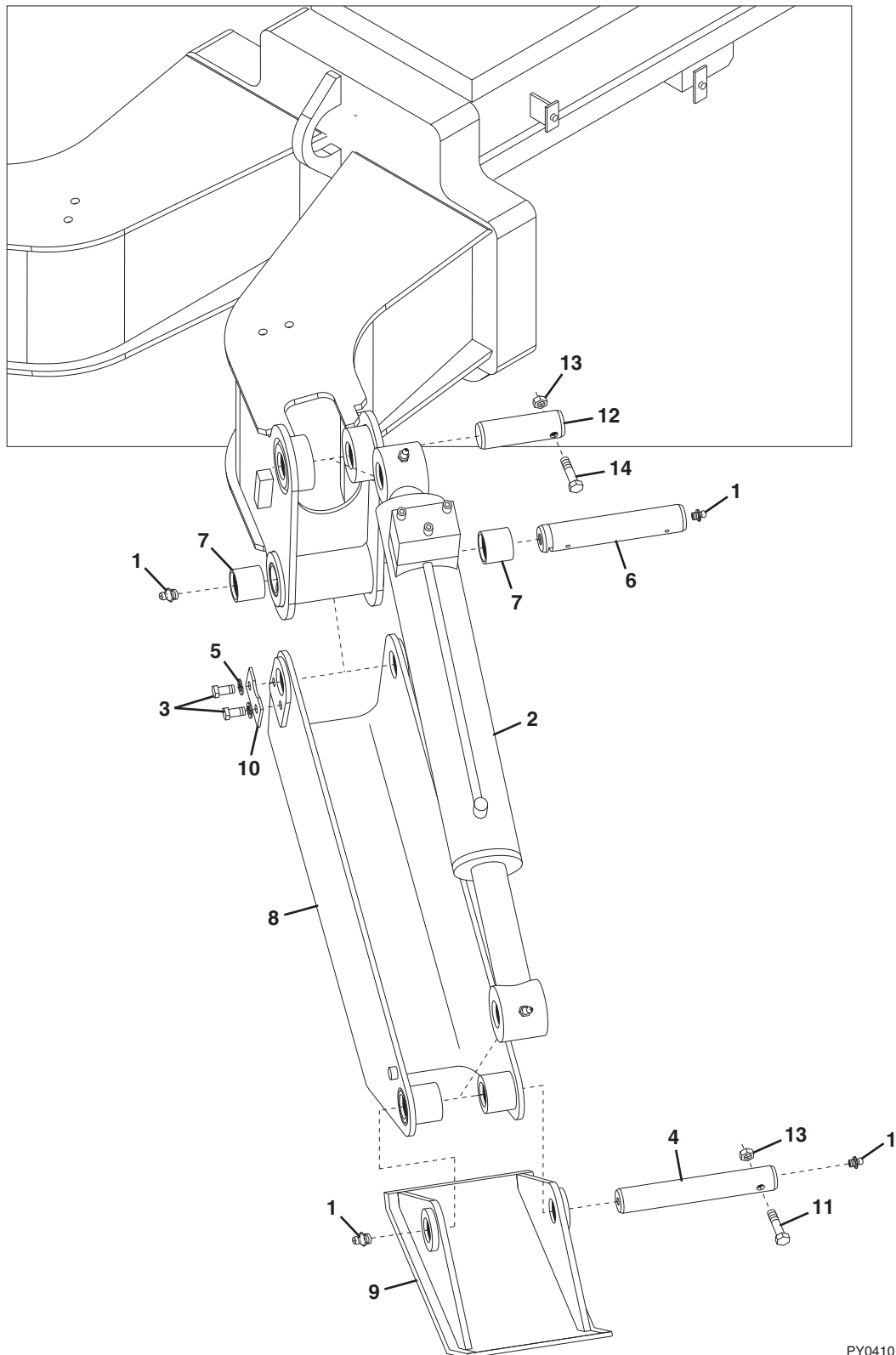
Figure 1-2 Axle & Fender Mounting

Item	Part Number	Qty.	Description	Rev.
1		Ref	FRONT AXLE ASSY, (see Figure 5-1 for details)	
2		Ref	REAR AXLE ASSY, (see Figure 5-6 for details)	
3	0682444	16	HEX HD CAPSCREW, 7/8-9X5-1/2, GR5, (torque to 530-565 ft. lbs.)	
4	4892400	16	HARDENED FLATWASHER, 7/8	
	91565081	1	FENDER INSTALL, (includes items 101 thru 112)	B
101	91473126	4	ROTOMOLD FENDER	
102	91566062	2	RH FENDER BRACKET	
103	91566063	2	LH FENDER BRACKET	
104	91514118	16	FENDER STUD	
105	91513266	16	HEX NUT, M12X1.25	
106	0641528	16	HEX HD CAPSCREW, 5/16-18X3 1/2, GR5	
107	0641524	8	HEX HD CAPSCREW, 5/16-18X3, GR5	
108	4711500	24	WASHER, 5/16	
109	4751500	24	PLAIN WASHER, 5/16	
110	88521205	24	LOCKNUT, 5/16-18	
111	3520176	8	PLUG	
112	83191010	16	LOCKWASHER, M12	
	91565067	1	CAB FENDER INSTALL, (includes items 201 thru 202)	
201	91401487	1	CAB FENDER	
202	0791608	4	WHIZLOCK BOLT, 3/8-16X1	
301	91403193	40	WHEEL NUT	
NOTE: ITEM NUMBERS NOT LISTED ARE NOT USED ON THIS FIGURE				



FRAME & ATTACHING PARTS

Figure 1-3 Outrigger Mounting



PY0410



Figure 1-3 Outrigger Mounting

Item	Part Number	Qty.	Description	Rev.
1	88671001	4	LUBE FITTING, STRAIGHT, 1/8	C, 2
2		Ref	OUTRIGGER CYLINDER & VALVE, (see Figure 9-6 for details)	
3	0641808	4	HEX HD CAPSCREW, 1/2-13X1, GR5	
4	91563199	2	SHOE PIN	
5	4761800	4	LOCKWASHER, 1/2, (OLD)	
	4751800	4	FLAT WASHER, 1/2, (NEW)	
6	91563198	2	ARM PIN	
8	91566050	2	ARM WELDMENT	
9	91566051	2	OUTRIGGER SHOE	
10	91081313	2	KEEPER	
11	0641634	2	HEX HD CAPSCREW, 3/8-16X4-1/4, GR5	
12	91563197	2	OUTRIGGER CYLINDER PIN	
13	3300143	4	HEX LOCKNUT, 3/8-16	
14	3931672	2	SOCKET HD CAPSCREW, 3/8-16X4-1/2, GR8	



FRAME & ATTACHING PARTS

Figure 1-4 Pintle Hook Install

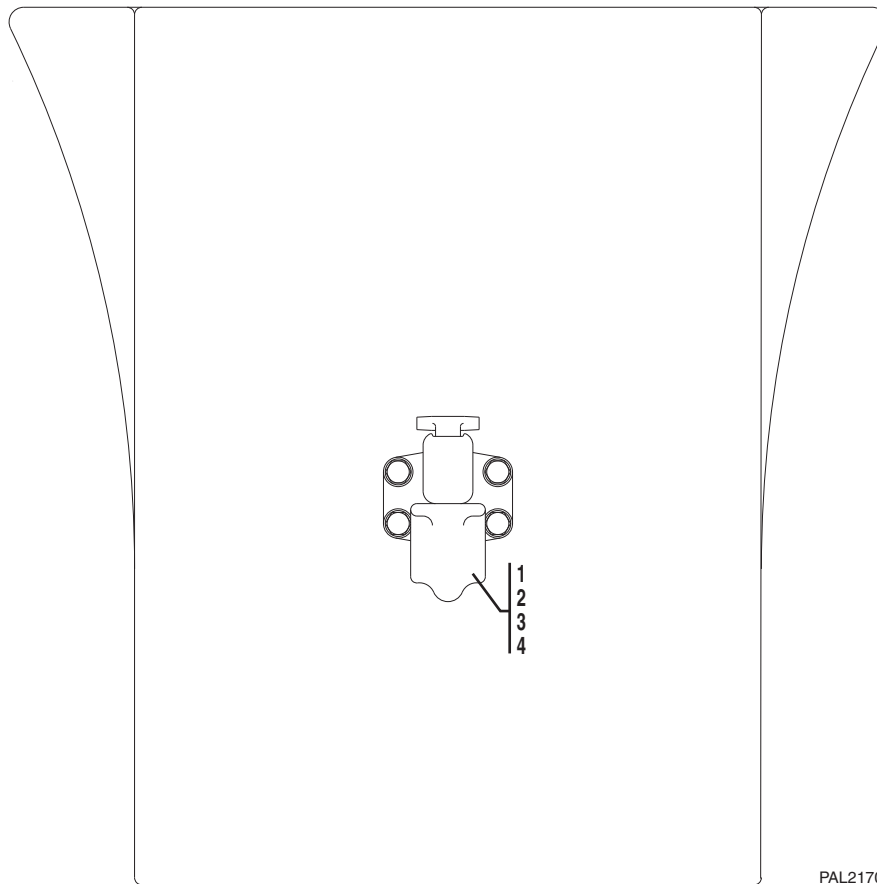




Figure 1-4 Pintle Hook Install

Item	Part Number	Qty.	Description	Rev.
	91565086	1	PINTLE HOOK INSTALL	B
1		Ref	COUNTERWEIGHT, (see Figure 1-1 for details)	
2	90200602	1	PINTLE HOOK	
3	83201120	4	HEX HD CAPSCREW, 1/2-13X1 3/4	
4	88551013	4	LOCKWASHER, 1/2	



FRAME & ATTACHING PARTS

This Page Intentionally Left Blank