



---

# ***Illustrated Parts Manual***

## ***Model 544D***

S/N 0355001 thru 0455362  
& 0160000192 & After

**91364001**

*Revised  
April 3, 2014*





# EFFECTIVITY PAGE

October 8, 2004 - A - Revised Manual  
December 30, 2004 - B - Revised Manual  
September 30, 2005 - C - Revised Manual  
April 24, 2006 - D - Revised Manual  
August 25, 2006 - E - Revised Manual  
February 23, 2007 - F - Revised Manual  
July 06, 2007 - G - Revised Manual  
May 16, 2008 - H - Revised Manual  
November 26, 2008 - I - Revised Manual  
September 3, 2009 - J - Revised Manual  
August 8, 2012 - K - Revised Manual  
January 3, 2013 - L - Revised Manual  
April 3, 2014 - M - Revised Manual

# EFFECTIVITY PAGE

# TABLE OF CONTENTS

FIGURE NO.	TITLE	PAGE NO.
<b>SECTION 1 –</b>		
<b>FRAME &amp; ATTACHING PARTS</b> .....		<b>1-1</b>
1-1	Frame Shrouding & Trim .....	1-2
1-2	Rear Axle & Attaching Parts .....	1-14
1-3	Front Axle Mounting .....	1-22
1-4	Front Axle Mounting .....	1-24
1-5	Outrigger Mounting .....	1-26
 <b>SECTION 2 –</b>		
<b>BOOM</b> .....		<b>2-1</b>
2-1	First Boom Section .....	2-2
2-2	Second Boom Section .....	2-4
2-3	Third Boom Section .....	2-6
2-4	Fourth Boom Section .....	2-8
2-5	Extension Chains .....	2-10
2-6	Retraction Chains .....	2-12
2-7	Quick Switch Assembly .....	2-14
 <b>SECTION 3 –</b>		
<b>ATTACHMENTS</b> .....		<b>3-1</b>
3-1	Buckets .....	3-2
3-2	Tilt Carriage .....	3-4
3-3	Truss Boom .....	3-8
3-4	Truss Boom With Winch .....	3-12
3-5	6 Ft Vertical Mast .....	3-16
3-6	48 In Slope Piler Carriage .....	3-20
3-7	66 In Slope Piler Carriage .....	3-22
3-8	100 Degree Swing Fork .....	3-24
3-9	Quick Hook Assembly .....	3-28
3-10	Fork Mounted Lifting Hook .....	3-30
3-11	6 Ft Swing Mast With Side Shift .....	3-32
3-12	100 Degree Drywall Swing Carriage .....	3-38
3-13	Sheet Material Handler .....	3-42
3-14	Side Tilt Carriage .....	3-44
3-15	180 Degree Swing Carriage .....	3-46
3-16	90 Degree Swing Carriage .....	3-62
3-17	Forks .....	3-64
3-18	Personnel Platform .....	3-66
3-19	Fork Mounted Platform .....	3-70
3-20	Fork Pin Lock Installation .....	3-74
3-21	Grapple Bucket .....	3-76
3-22	8 Ft Standard Mast .....	3-78
3-23	8 Ft Side Tilt Electric Mast .....	3-82
3-24	66 In Drywall Carriage .....	3-88

# TABLE OF CONTENTS

FIGURE NO.	TITLE	PAGE NO.
<b>SECTION 4 –</b>		
<b>ENGINE &amp; ATTACHING PARTS</b> .....		<b>4-1</b>
4-1	Engine Assembly, LH View .....	4-2
4-2	Engine Assembly, RH View .....	4-20
4-3	Engine Pump Mount & Flywheel Housing .....	4-38
4-4	John Deere Engine .....	4-48
4-5	Cummins Engine .....	4-52
4-6	Fuel Tank & Lines .....	4-54
4-7	Radiator Assembly .....	4-58
4-8	Air Cleaner Piping .....	4-64
4-9	Air Cleaner .....	4-72
4-10	Exhaust System .....	4-78
<b>SECTION 5 –</b>		
<b>DRIVE TRAIN</b> .....		<b>5-1</b>
5-1	Front Axle Assembly - Rockwell .....	5-2
5-2	Front Axle - Rockwell .....	5-4
5-3	Left/Right Housing & Axle Shaft & Wheel Flange Assembly - Rockwell .....	5-6
5-4	Brake Assembly - Rockwell .....	5-8
5-5	Carrier Assembly - Rockwell .....	5-10
5-6	Front Axle Assembly - Carraro .....	5-14
5-7	Front Axle - Carraro .....	5-16
5-8	Axle Housing Assembly - Carraro .....	5-18
5-9	Brake Assembly - Carraro .....	5-20
5-10	Carrier Assembly - Carraro .....	5-22
5-11	Rear Steering Axle Drive Hub .....	5-26
5-12	Tires & Rims .....	5-30
<b>SECTION 6 –</b>		
<b>CAB</b> .....		<b>6-1</b>
6-1	Open Cab .....	6-2
6-2	Cab Enclosure Kit Installation .....	6-6
6-3	Cab Enclosure Kit .....	6-18
6-4	Dash Panel Assembly .....	6-28
6-5	Gauge Panel Assembly .....	6-36
6-6	Windshield/Top Window Kit Installation .....	6-42
6-7	Skylight Wiper Installation .....	6-46
<b>SECTION 7 –</b>		
<b>CONTROLS</b> .....		<b>7-1</b>
7-1	Brake & Inching Linkage .....	7-2
7-2	Accelerator Pedal Assembly .....	7-18
7-3	Steering Column & Attaching Parts .....	7-22
7-4	Cab Right Side Controls .....	7-24

# TABLE OF CONTENTS

FIGURE NO.	TITLE	PAGE NO.
7-5	Joystick Assembly .....	7-26
7-6	Cab Left Side Controls .....	7-28
7-7	Cybertech 5-Button Joystick Controller .....	7-34
 <b>SECTION 8 –</b>		
	<b>HYDRAULIC CIRCUITS .....</b>	<b>8-1</b>
8-1	Oil Supply & Pressure Lines .....	8-2
8-2	Dump Circuit .....	8-12
8-3	Front Drive Circuit .....	8-22
8-4	Rear Drive Circuit .....	8-24
8-5	Service/Parking Brake .....	8-36
8-6	Boom Hydraulics Sub-Assy .....	8-38
8-7	Auxiliary Hydraulics .....	8-42
8-8	Lift Cylinder .....	8-46
8-9	Crowd Cylinder .....	8-48
8-10	Tilt Cylinder & Tilt Compensating Cylinder .....	8-50
8-11	Sway Cylinder .....	8-52
8-12	Steering Circuit .....	8-54
8-13	Joystick Circuit .....	8-60
8-14	Stabilizer Cylinder .....	8-62
8-15	Outrigger Cylinder .....	8-66
8-16	Hose Clamp Locations, (rear) .....	8-70
 <b>SECTION 9 –</b>		
	<b>HYDRAULIC COMPONENTS .....</b>	<b>9-1</b>
9-1	Tilt Cylinder .....	9-2
9-2	Crowd Cylinder .....	9-8
9-3	Lift Cylinder .....	9-12
9-4	Compensating Cylinder .....	9-16
9-5	Sway Cylinder .....	9-20
9-6	Steering Cylinder .....	9-24
9-7	Stabilizer Cylinder .....	9-30
9-8	Outrigger Cylinder .....	9-34
9-9	Flow Divider Assembly .....	9-40
9-10	Brake Valve .....	9-42
9-11	Solenoid Valve .....	9-48
9-12	Thermal Bypass Valve Assembly .....	9-50
9-13	Inching Valve .....	9-52
9-14	Main Control Valve .....	9-56
9-15	Hydraulic Reservoir & Filters .....	9-64
9-16	Front Drive Motor .....	9-66
9-17	Main Hydraulic Pump .....	9-68
9-18	Hydrostatic Transmission .....	9-70
9-19	Sway & Outrigger Cylinder Valves .....	9-74
9-20	Traction Lock Valve .....	9-76

# TABLE OF CONTENTS

FIGURE NO.	TITLE	PAGE NO.
9-21	Rear Drive Motor .....	9-78
9-22	Optional Stabilizer Valve Assembly .....	9-80
9-23	Outrigger Valve .....	9-84
9-24	Quick Start Cylinder & Valve Assembly .....	9-86
9-25	180 Degree Swing Carriage Cylinder .....	9-88
9-26	72 In 90 Degree Swing Carriage Cylinder .....	9-90
9-27	Side Tilt Carriage Cylinder .....	9-92
9-28	Grapple Bucket Cylinder .....	9-94
<b>SECTION 10 –</b>		
	<b>ELECTRICAL .....</b>	<b>10-1</b>
10-1	Battery & Cables .....	10-2
10-2	Stabilizer Proximity Sensor .....	10-6
10-3	Dash Harness Assembly .....	10-8
10-4	Engine Harness Assembly .....	10-14
10-5	ECU Engine Harness .....	10-22
10-6	Auxiliary Electrical Installation .....	10-26
10-7	Auxiliary Electrical Harnesses .....	10-30
10-8	Cold Start .....	10-32
<b>SECTION 11 –</b>		
	<b>DECALS .....</b>	<b>11-1</b>
11-1	Frame Decals .....	11-2
11-2	Boom Decals .....	11-14
<b>SECTION 12 –</b>		
	<b>OPTIONS .....</b>	<b>12-1</b>
12-1	Hydraulic Reservoir Heater Installation .....	12-2
12-2	Winch Installation .....	12-4
12-3	Stop Light Installation .....	12-8
12-4	Swing Cylinder .....	12-12
12-5	Truss Boom Winch .....	12-14
12-6	LH Sway Assembly .....	12-18
12-7	Aux. Hydraulic Field Kit .....	12-20
12-8	Aux. Hydraulics & Sway Assembly .....	12-24
12-9	Auxiliary Electrics Assembly .....	12-28
12-10	Overhead Window .....	12-32
12-11	Tilt on Joystick Installation .....	12-34
12-12	Winch Motor .....	12-38
12-13	Engine Block Heater .....	12-40
12-14	Sway Cylinder .....	12-44
12-15	Dual P.O. Check Valve .....	12-46
12-16	Swing Valve Kit .....	12-48
12-17	LH Tilt/Sway Assembly .....	12-52



# TABLE OF CONTENTS

<b>FIGURE NO.</b>	<b>TITLE</b>	<b>PAGE NO.</b>
12-18	LH Tilt Assembly .....	12-54
12-19	Ether Start .....	12-56
12-20	Work Light Package .....	12-58
12-21	Crossover Relief Valve .....	12-68
12-22	Foam Tire Option .....	12-70
12-23	Aux. Hydraulics/Electric w/LH Tilt & Sway .....	12-72
12-24	Rear Axle Advantage Kit .....	12-78
12-25	RH Aux. Hydraulic Assembly .....	12-86
12-26	5-Button Auxiliary Handle Assembly .....	12-90
12-27	RH Aux/Tilt on Joystick .....	12-92
12-28	Aux. Hydraulic Assembly .....	12-96
12-29	Cab Heater Option .....	12-100
12-30	Adjustable Tilt on Joystick .....	12-112
12-31	Fuel/Water Separator Installation .....	12-116
12-32	Beacon Light Package .....	12-118
12-33	Cab Replacement Service Kit .....	12-122
12-34	Starter Kit .....	12-124
12-35	Pintle Hook Installation .....	12-126
12-36	Cold Start Installation .....	12-128
<b>SECTION 13 –</b>		
	<b>RECOMMENDED SPARE PARTS .....</b>	<b>13-1</b>
<b>SECTION 14 – PART NUMBER INDEX .....</b>		<b>14-1</b>

# TABLE OF CONTENTS

FIGURE NO.

TITLE

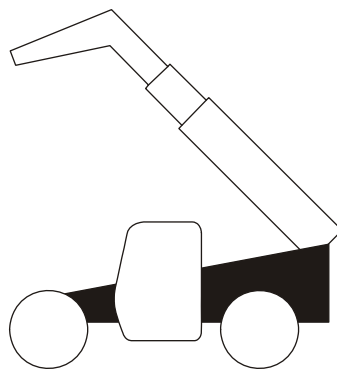
PAGE NO.

---

---

# SECTION 1

## FRAME & ATTACHING PARTS

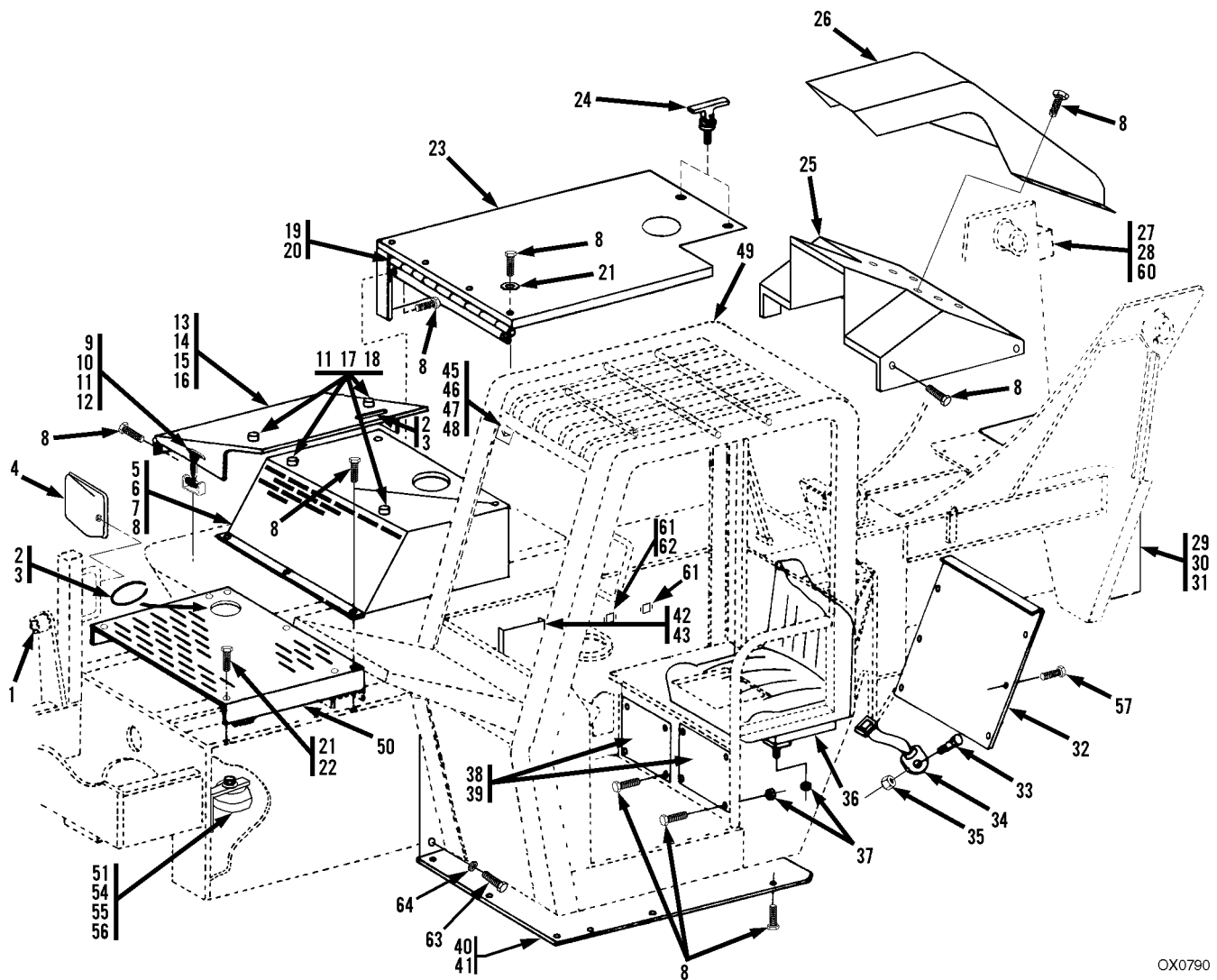




# FRAME & ATTACHING PARTS

S/N 0355001 thru 0455362 &  
0160000192 thru 0160000973

Figure 1-1 Frame Shrouding & Trim



OX0790



Figure 1-1 Frame Shrouding & Trim

Item	Part Number	Qty.	Description	Rev.
	91166058	Ref	FRAME WELDMENT	
	14404645	AR	T-9 METAL PROTECTANT, (12oz.)	
	14404646	AR	T-9 METAL PROTECTANT, (1 gal.)	
1	91143051	2	BUSHING	
2	90206196	61 in	TRIM-LOCK	
3	14402248	AR	ADHESIVE	
4	83683291	1	MIRROR	
5	91146103	1	RADIATOR COVER, (S/N 0355001 thru 0355023)	
	91366003	1	RADIATOR COVER, (S/N 0355024 thru 0160000973)	
6	91143346	1	RUBBER AIR DAM	
7	90200755	24 in	WEATHER STRIP	
8	77143003	52	WHIZ-LOCK SCREW, 5/16-18X5/8	
9	90207458	2	DRAW LATCH	
10	88301193	8	ROUND HD MACHINE SCREW, #10-32X1/2	
11	88551007	12	LOCKWASHER, #10	
12	88501613	4	HEX NUT, #10-32	
13	91366004	1	TANK COVER WELDMENT	
14	85211088	2	RUBBER BUMPER	
15	88301073	2	ROUND HD MACHINE SCREW, #8-32X3/4	
16	88521604	2	HEX LOCKNUT, #8-32	
17	91083173	4	RUBBER HD SCREW BUMPER	
18	88501612	4	HEX NUT, #10-24	
19	91141218	1	HINGE	
20	91143348	1	CLAMP BAR	
21	88561003	9	FLAT WASHER, 5/16	
22	91123124	4	WHIZ-LOCK SCREW, 5/16-18X1/2	
23	91366017	1	REAR ENGINE COVER	
24	91303021	2	T-HANDLE, (S/N 0355001 thru 0160000323)	
	91363210	2	T-HANDLE, (S/N 0160000339 thru 0160000973)	
25	91146050	1	REAR COVER WELDMENT	
26	91366002	1	REAR COVER CENTER	
27	91403574	1	BACK-UP ALARM	
28	88201016	2	HEX HD CAPSCREW, 5/16-18X1/2, GR5	
29	91140001	1	COUNTERWEIGHT	
30	88201143	4	HEX HD CAPSCREW, 1-8X5, GR5, (torque to 545-595 lbs-ft)	
31	88561011	4	WASHER, 1	
32	91161282	1	REAR CAB COVER	
33	88201050	2	HEX HD CAPSCREW, 7/16-14X1, GR5	
34	91033029	1	SEAT BELT, (not used with optional seat)	
35	88501007	2	HEX NUT, 7/16-14	
36	91033485	1	SEAT WITH ARMREST, (std.)	
	91124107	1	SLIDE ADJ. KIT, (use with std. seat)	
	91043237	1	GRAMMER SEAT, (opt.)	
	88201020	4	HEX HD CAPSCREW, 5/16-18X1, GR5, (use with opt. seat)	
37	77143006	8	WHIZ-LOCKNUT, 5/16-18	
38	91081475	1	HEATER COVER PLATE	
39	91141329	1	VALVE ACCESS COVER	
40	91361005	1	BELLY PAN	
41	91083533	10	FENDER WASHER, 1-1/2, OD	



## FRAME & ATTACHING PARTS

S/N 0355001 thru 0455362 &  
0160000192 thru 0160000973

**Figure 1-1 Frame Shrouding & Trim (Continued)**

Item	Part Number	Qty.	Description	Rev.
42	91403230	1	MANUAL CASE	
43	77143013	4	WHIZ-LOCKNUT, 1/4-20	
44	77143006	2	WHIZ-LOCKNUT, 5/16-18, (not shown), (use with item 58)	
45	91033320	Ref	TILT GAUGE, (no longer available; use 8466306 for replacement)	
	8466306	1	TILT GAUGE, (with adhesive)	
46	88204912	1	HEX HD CAPSCREW, 1/4-20X1	
47	88561107	1	FLAT WASHER	
48	88521204	1	LOCKNUT, 1/4-20	
49		Ref	OPEN CAB, (see Figure 6-1 for details)	
50	91141463	1	DECK COVER, <b>(S/N 0355001 thru 0355023)</b>	
	91361007	1	DECK COVER, <b>(S/N 0355024 thru 0160000973)</b>	
51	91143357	1	HORN ASSY	
54	77133177	2	HEX HD CAPSCREW, 5/16-18X1-3/8, GR5	
55	77133168	2	CLAMP SET	
56	77133140	2	COVER PLATE	
57	91363018	8	WHIZ-LOCK SCREW, 5/16-18X1	
58	91166074	1	HOSE GUARD, (not shown), (located under dash panel, beneath steering column), <b>(S/N 0355035 thru 0355039)</b>	
	91363065	1	HOSE GUARD, (not shown), (located under dash panel, beneath steering column), <b>(S/N 0355040 thru 0160000973)</b>	
59	85941016	1	SUPPORT CLAMP, (not shown), (use with item 58)	
60	86683122	1	TIE WRAP	
61	88261014	4	SOCKET BUTTON HD CAPSCREW, 1/4-20X1/2	
62	91146081	1	DIPSTICK COVER	
63	83201158	4	HEX HD CAPSCREW, 7/8-9X1-3/4, (torque to 450-475 lb-ft)	
64	4892500	4	HARDENED WASHER, 7/8	

**Figure 1-1 Frame Shrouding & Trim (Continued)**

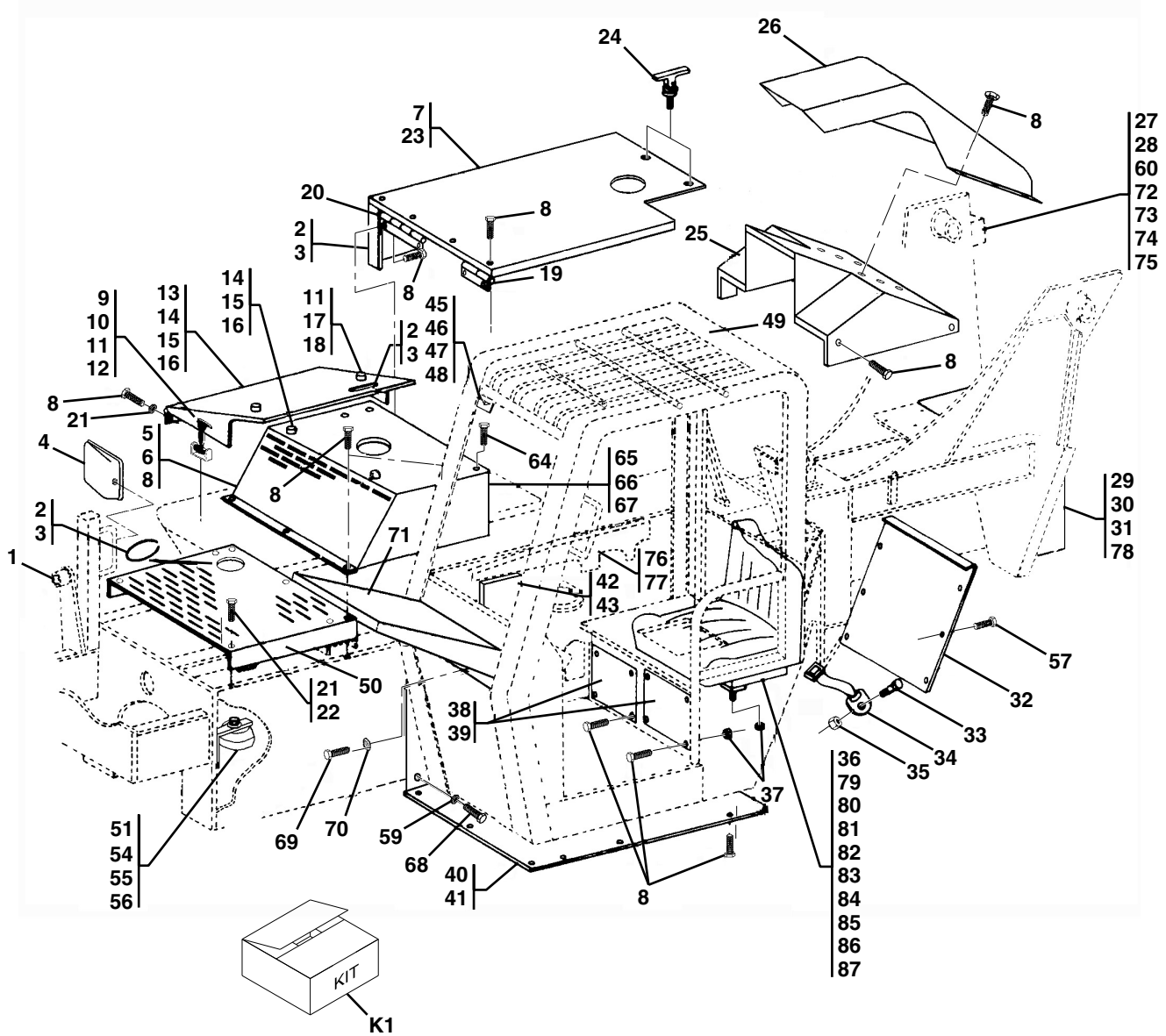
Item	Part Number	Qty.	Description	Rev.



# FRAME & ATTACHING PARTS

S/N 0160000976 thru 0160034720  
including 0160035922

Figure 1-1 Frame Shrouding & Trim



PAP21511



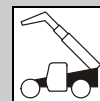


Figure 1-1 Frame Shrouding & Trim

Item	Part Number	Qty.	Description	Rev.
	91556001	1	FRAME WELDMENT, (S/N 0355001 thru 0455362 & 0160000192 thru 016001615, excluding 0160015296, 0160015297 & 0160015492)	L
	91556019	1	FRAME WELDMENT, (S/N 0160015710 thru 0160034720 including 0160015296, 0160015297, 0160015492 & 0160035922)	D
	14404645	AR	T-9 METAL PROTECTANT, (12oz.)	
	14404646	AR	T-9 METAL PROTECTANT, (1 gal.)	
1	91143051	2	BUSHING	
2	90206196	59 in	TRIM-LOCK	
3	14402248	AR	ADHESIVE	
4	83683291	1	MIRROR	
5	91556015	1	RADIATOR COVER	
6	91553043	1	RUBBER AIR DAM	
7	90200755	24 in	WEATHER STRIP	
8	77143003	53	WHIZ-LOCK SCREW, 5/16-18X5/8	
9	90207458	2	DRAW LATCH	
10	88301193	8	ROUND HD MACHINE SCREW, #10-32X1/2	
11	88551007	10	LOCKWASHER, #10	
12	88501613	4	HEX NUT, #10-32	
13	91366004	1	TANK COVER WELDMENT	
14	85211088	4	RUBBER BUMPER	
15	88301073	4	ROUND HD MACHINE SCREW, #8-32X3/4	
16	88521604	4	HEX LOCKNUT, #8-32	
17	91083173	2	RUBBER HD SCREW BUMPER	
18	88501612	2	HEX NUT, #10-24	
19	91551023	1	HINGE	
20	91551024	1	HINGE	
21	88561003	9	FLAT WASHER, 5/16	
22	91123124	4	WHIZ-LOCK SCREW, 5/16-18X1/2	
23	91556014	1	REAR ENGINE COVER	
24	91363210	2	T-HANDLE	
25	91146050	1	REAR COVER WELDMENT	
26	91556016	1	REAR COVER CENTER	
27		1	BACK-UP ALARM, (Before S/N 0160016754), (no longer available, order kit 2915184 for service)	
	8270621	1	BACK-UP ALARM, (S/N 0160016754 & After)	
28	0641406	2	HEX HD CAPSCREW, 1/4-20X3/4, GR5, (S/N 0160016754 & After)	
29	91140001	1	COUNTERWEIGHT, (no pintle hook)	
	1001091458	1	COUNTERWEIGHT, (with pintle hook)	
30	88201143	4	HEX HD CAPSCREW, 1-8X5, GR5, (torque to 545-595 lb-ft)	
31	88561011	4	WASHER, 1	
32	91161282	1	REAR CAB COVER, (S/N 0160000976 thru 0160012366 excluding 0160012298)	
		Ref	REAR CAB COVER, (S/N 0160012437 & After including 0160012298), (see Figure 6-1 for details)	
33	88201050	2	HEX HD CAPSCREW, 7/16-14X1, GR5, (Before S/N 0160016097 excluding 0160015710, 0160015711 & 0160015915)	
34	91033029	1	SEAT BELT, (not used with optional seat), (Before S/N 0160016097 excluding 0160015710, 0160015711 & 0160015915)	
35	88501007	2	HEX NUT, 7/16-14, (Before S/N 0160016097 excluding 0160015710, 0160015711 & 0160015915)	



## FRAME & ATTACHING PARTS

S/N 0160000976 thru 0160034720  
including 0160035922

**Figure 1-1 Frame Shrouding & Trim (Continued)**

Item	Part Number	Qty.	Description	Rev.
36	91033485	1	SEAT WITH ARMREST, (std.), <b>(Before S/N 0160016097 excluding 0160015710, 0160015711 &amp; 0160015915)</b>	C
	91563158	1	SUSPENSION SEAT WITH 2 IN SEAT BELT, <b>(S/N 0160016097 &amp; After including 0160015710, 0160015711 &amp; 0160015915)</b>	E
	1001101085	1	SUSPENSION SEAT WITH 2 IN SEAT BELT, (includes items 81 thru 87)	
	7026904	1	ARMREST KIT	
	91124107	1	SLIDE ADJ. KIT, (use with std. seat), <b>(Before S/N 0160016097 excluding 0160015710, 0160015711 &amp; 0160015915)</b>	
	91043237	1	GRAMMER SEAT, (opt.), <b>(Before S/N 0160016097 excluding 0160015710, 0160015711 &amp; 0160015915)</b>	
	88201020	4	HEX HD CAPSCREW, 5/16-18X1, GR5, (use with opt. seat), <b>(Before S/N 0160016097 excluding 0160015710, 0160015711 &amp; 0160015915)</b>	
37	77143006	8	WHIZ-LOCKNUT, 5/16-18	
38	91081475	1	HEATER COVER PLATE, <b>(S/N 0160000976 thru 0160012366 excluding 0160012298)</b>	
		Ref	HEATER COVER PLATE, <b>(S/N 0160012437 &amp; After including 0160012298)</b> , (see Figure 6-1 for details)	
39	91141329	1	VALVE ACCESS COVER, <b>(S/N 0160000976 thru 0160012366 excluding 0160012298)</b>	
		Ref	VALVE ACCESS COVER, <b>(S/N 0160012437 &amp; After including 0160012298)</b> , (see Figure 6-1 for details)	
40	91361005	1	BELLY PAN, <b>(S/N 0160000976 thru 0160012366 excluding 0160012298)</b>	
		Ref	BELLY PAN, <b>(S/N 0160012437 &amp; After including 0160012298)</b> , (see Figure 6-1 for details)	
41	91083533	10	FENDER WASHER, 1-1/2, OD	
42	91403230	1	MANUAL CASE	
43	77143013	4	WHIZ-LOCKNUT, 1/4-20	
44	77143006	2	WHIZ-LOCKNUT, 5/16-18, (use with item 58), (not shown)	
45		1	TILT GAUGE, <b>(S/N 0160000976 thru 0160005687)</b> , (no longer available, use 8466306 for service)	
	8466306	1	TILT GAUGE, (with adhesive), <b>(S/N 016005766 &amp; After)</b>	
46	88204912	1	HEX HD CAPSCREW, 1/4-20X1, <b>(S/N 0160000976 thru 0160005687)</b>	
47	88561107	1	FLAT WASHER, <b>(S/N 0160000976 thru 0160005687)</b>	
48	88521204	1	LOCKNUT, 1/4-20, <b>(S/N 0160000976 thru 0160005687)</b>	
49		Ref	OPEN CAB, (see Figure 6-1 for details)	
50	91361007	1	DECK COVER	
51	91143357	1	HORN ASSY	
54	77133177	1	HEX HD CAPSCREW, 5/16-18X1-3/8, GR5	
55	77133139	1	CLAMP SET	
56	77133140	1	COVER PLATE	
57	91363018	8	WHIZ-LOCK SCREW, 5/16-18X1	
58	91363065	1	HOSE GUARD, (not shown), (located under dash panel, beneath steering column)	
59	4892500	4	HARDENED WASHER, 7/8	
60	86683122	1	TIE WRAP	
64	88261020	4	SOCKET BUTTON HD CAPSCREW, 5/16-18X1/2	
65	91143348	2	CLAMP BAR	
66	91551034	1	AIR DAM SUPPORT	
67	91551033	1	AIR DAM SUPPORT	
68	83201158	4	HEX HD CAPSCREW, 7/8-9X1-3/4, (torque to 450-475 lb-ft)	

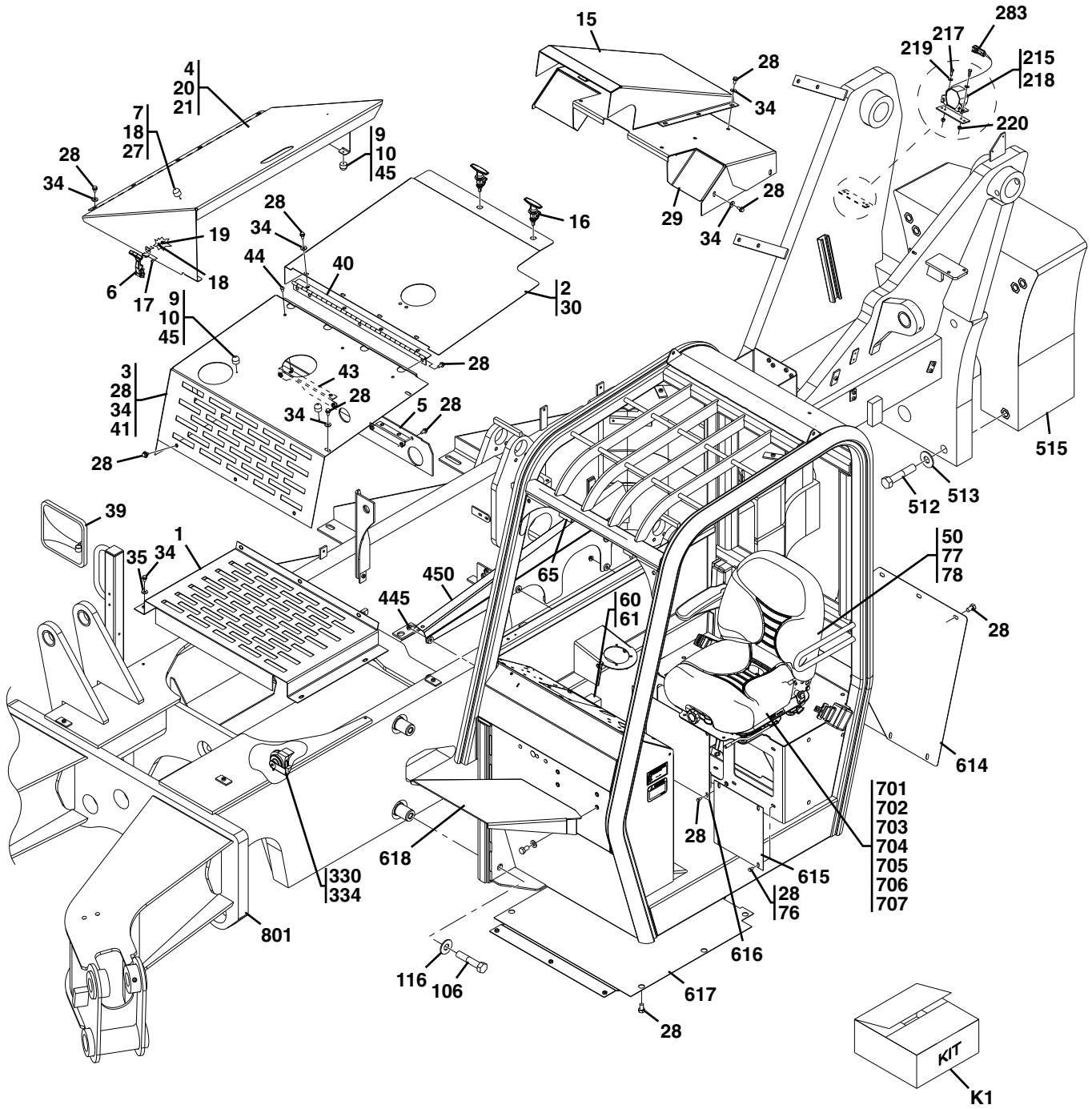
**Figure 1-1 Frame Shrouding & Trim (Continued)**

Item	Part Number	Qty.	Description	Rev.
69	88201021	4	HEX HD CAPSCREW, 5/16-18X1-1/4, (S/N 0160012437 & After including 0160012298)	
70	4751500	4	FLAT WASHER, 5/16, (S/N 0160012437 & After including 0160012298)	
71		Ref	FENDER, (see Figure 6-1 for details)	
72	8305624	2	LOCKNUT, 1/4-20	
73	3576433	1	MOUNTING BAR	
74	4711400	2	FLAT WASHER, 1/4	
75	86683480	2	BUTT CONNECTOR	
76	91556017	1	SHEET METAL SUPPORT	
77	77143006	4	WHIZ-LOCKNUT, 5/16-18	
78	0100019	AR	LOCTITE® 271™	
79	3311505	4	HEX LOCKNUT, 5/16-18, (S/N 0160016097 & After including 0160015710, 0160015711 & 0160015915)	
80	4711500	4	FLAT WASHER, 5/16, (S/N 0160016097 & After including 0160015710, 0160015711 & 0160015915)	
81	7026900	1	BACK CUSHION KIT	
82	7026902	1	BACK PANEL KIT	
83	7026905	1	SEAT BELT	
	91565064	1	SEAT BELT, 3 IN, (California Only), (not included with std. seat)	
84	7026906	1	TETHER KIT	
85	7026901	1	SEAT CUSHION KIT	
86	7026799	1	KNOB KIT	
87	7026798	1	SLIDE KIT	
K1	2915184	1	BACK-UP ALARM SERVICE KIT, (includes items 27, 28 & 72 thru 75)	A



FRAME & ATTACHING PARTS

Figure 1-1 Frame Shrouding & Trim



PAP21390