



Illustrated Parts Manual

Models

534D-9

534D-10

534D-9
S/N 0544001 thru 0744407 &
0160000112 & After

534D-10
S/N 0366001 thru 0366533 &
0160000125 & After

91344005

Revised
April 2, 2014



EFFECTIVITY PAGE

October 8, 2004 - A - Revised Manual
December 30, 2004 - B - Revised Manual
September 30, 2005 - C - Revised Manual
May 19, 2006 - D - Revised Manual
August 25, 2006 - E - Revised Manual
February 23, 2007 - F - Revised Manual
July 6, 2007 - G - Revised Manual
May 16, 2008 - H - Revised Manual
November 25, 2008 - I - Revised Manual
February 12, 2010 - J - Revised Manual
May 30, 2012 - K - Revised Manual
October 5, 2012 - L - Revised Manual
April 2, 2014 - M - Revised Manual

EFFECTIVITY PAGE

TABLE OF CONTENTS

FIGURE NO.	TITLE	PAGE NO.
SECTION 1 –		
FRAME & ATTACHING PARTS		1-1
1-1	Frame Shrouding & Trim	1-2
1-2	Rear Axle & Attaching Parts	1-14
1-3	Front Axle Mounting	1-22
1-4	Outrigger Mounting - 534D-10	1-26
SECTION 2 –		
BOOM		2-1
2-1	First Boom Section	2-2
2-2	Second Boom Section	2-6
2-3	Third Boom Section	2-10
2-4	Quick Switch Assembly	2-14
2-5	Boom Cross Section/Push Beam Pin - 40 Ft & 45 Ft Boom	2-18
2-6	Extension & Retraction Cables	2-20
SECTION 3 –		
ATTACHMENTS		3-1
3-1	Buckets	3-2
3-2	Tilt Carriage	3-4
3-3	Truss Boom	3-8
3-4	Truss Boom w/Winch	3-12
3-5	6 Ft Vertical Mast	3-16
3-6	48 In Slope Piler Carriage	3-20
3-7	66 In Slope Piler Carriage	3-22
3-8	100 Degree Swing Fork	3-24
3-9	Quick Hook Assembly	3-28
3-10	Fork Mounted Lifting Hook	3-30
3-11	6 Ft Swing Mast w/Side Shift	3-34
3-12	100 Degree Drywall Swing Fork Assembly	3-40
3-13	Sheet Material Handler	3-44
3-14	Side Tilt Carriage	3-46
3-15	180 Degree Swing Carriage	3-48
3-16	90 Degree Swing Carriage	3-60
3-17	Forks	3-62
3-18	Personnel Platform	3-64
3-19	Fork Mounted Platform	3-68
3-20	Fork Pin Lock Installation	3-72
3-21	Grapple Bucket	3-74
3-22	8 Ft Standard Mast	3-76
3-23	8 Ft Side Tilt Electric Mast	3-80

TABLE OF CONTENTS

FIGURE NO.	TITLE	PAGE NO.
SECTION 4 –		
ENGINE & ATTACHING PARTS		4-1
4-1	Engine Assembly, LH View	4-2
4-2	Engine Assembly, RH View	4-46
4-3	Engine Pump Mount & Flywheel Housing	4-88
4-4	John Deere Engine	4-110
4-5	Cummins Engine	4-116
4-6	Fuel Tank Lines	4-118
4-7	Radiator Assembly	4-122
4-8	Air Cleaner Piping	4-128
4-9	Air Cleaner	4-138
4-10	Exhaust System	4-144
SECTION 5 –		
DRIVE TRAIN		5-1
5-1	Front Axle Assembly - Rockwell	5-2
5-2	Front Axle - Rockwell	5-4
5-3	Left & Right Housing & Axle & Wheel Flange Assemblies - Rockwell	5-8
5-4	Brake Assembly - Rockwell	5-10
5-5	Carrier Assembly - Rockwell	5-14
5-6	Front Axle Assembly - Carraro	5-18
5-7	Front Axle - Carraro	5-20
5-8	Axle Housing Assembly - Carraro	5-22
5-9	Brake Assembly - Carraro	5-24
5-10	Carrier Assembly - Carraro	5-26
5-11	Rear Steering Axle Drive Hub	5-30
5-12	Tires & Rims	5-34
SECTION 6 –		
CAB		6-1
6-1	Open Cab	6-2
6-2	Cab Enclosure Kit Installation	6-6
6-3	Cab Enclosure Kit	6-18
6-4	Dash Panel Assembly	6-28
6-5	Gauge Panel Assembly	6-30
6-6	Windshield/Top Window Kit Installation	6-34
6-7	Skylight Wiper Installation	6-38
SECTION 7 –		
CONTROLS		7-1
7-1	Brake & Inching Linkage	7-2
7-2	Accelerator Pedal Assembly	7-14
7-3	Steering Column & Attaching Parts	7-18
7-4	Cab Right Side Controls	7-20

TABLE OF CONTENTS

FIGURE NO.	TITLE	PAGE NO.
7-5	Joystick Assembly	7-22
7-6	Cab Left Side Controls	7-24
7-7	Cybertech 5-Button Joystick Controller	7-28
 SECTION 8 –		
HYDRAULIC CIRCUITS		8-1
8-1	Oil Supply & Pressure Lines	8-2
8-2	Dump Circuit	8-14
8-3	Front Drive Circuit	8-26
8-4	Rear Drive Circuit	8-28
8-5	Inching & Parking Brake Lines	8-40
8-6	Lift Cylinder	8-42
8-7	Crowd Cylinder	8-44
8-8	Tilt & Compensating Cylinders	8-46
8-9	Sway Cylinder	8-50
8-10	Steering Cylinder	8-52
8-11	Joystick Circuit	8-58
8-12	Outrigger Cylinder - 534D-10	8-60
8-13	Hose Clamp Location, (rear)	8-64
8-14	Auxiliary Hydraulics	8-70
 SECTION 9 –		
HYDRAULIC COMPONENTS		9-1
9-1	Tilt Cylinder	9-2
9-2	Crowd Cylinder	9-8
9-3	Lift Cylinder	9-14
9-4	Compensating Cylinder	9-18
9-5	Sway Cylinder Assembly	9-22
9-6	Steering Cylinder	9-26
9-7	Thermal Bypass Valve Assembly	9-32
9-8	Outrigger Cylinder	9-34
9-9	Flow Divider Assembly	9-40
9-10	Brake Valve	9-42
9-11	Solenoid Valve	9-48
9-12	Sway Cylinder Valve	9-50
9-13	Outrigger Cylinder Valve - 534D-10	9-52
9-14	Inching Valve	9-54
9-15	Main Control Valve	9-58
9-16	Hydraulic Reservoir & Filters	9-64
9-17	Front Drive Motor	9-66
9-18	Main Hydraulic Pump	9-68
9-19	Hydrostatic Transmission	9-70
9-20	Traction Lock Valve	9-74
9-21	Rear Drive Motor	9-76
9-22	Truss Boom Winch	9-78

TABLE OF CONTENTS

FIGURE NO.	TITLE	PAGE NO.
9-23	Winch Motor	9-82
9-24	Crossover Valve	9-84
9-25	Outrigger Valve - 534D-10	9-86
9-26	Optional Stabilizer Valve Assembly	9-88
9-27	Stabilizer Cylinder	9-92
9-28	Quick Start Cylinder & Valve Assembly	9-96
9-29	180 Degree Swing Carriage Cylinder	9-98
9-30	72 In 90 Degree Swing Carriage Cylinder	9-100
9-31	Side Tilt Carriage Cylinder	9-102
9-32	Grapple Bucket Cylinder	9-104
SECTION 10 –		
ELECTRICAL		10-1
10-1	Battery & Cables	10-2
10-2	Engine Harness Assembly	10-8
10-3	Dash Harness Assembly	10-14
10-4	ECU Engine Harness	10-18
10-5	Auxiliary Electrical Installation	10-20
10-6	Auxiliary Electrical Harness	10-24
SECTION 11 –		
DECALS		11-1
11-1	Frame Decals - 534D-9	11-2
11-2	Frame Decals - 534D-10	11-14
11-3	Boom Decals	11-28
SECTION 12 –		
OPTIONS		12-1
12-1	Auxiliary Hydraulic w/Electronic Assembly	12-2
12-2	Stabilizer Option	12-6
12-3	Auxiliary Hydraulics Field Kit - 40 Ft Boom	12-10
12-4	Foam Tire Option	12-14
12-5	LH Sway	12-18
12-6	Auxiliary Hydraulics & Sway Assembly - 40 In Boom	12-20
12-7	Block Heater	12-24
12-8	Hydraulic Reservoir Heater Installation	12-28
12-9	Tilt on Joystick Installation	12-30
12-10	Overhead Window	12-34
12-11	Work Light Package	12-36
12-12	RH Tilt/Sway	12-44
12-13	Winch Installation - 534D-9 40 Ft Boom	12-46
12-14	Winch	12-54
12-15	Dual P.O. Check Valve	12-62
12-16	Swing Cylinder	12-64

TABLE OF CONTENTS

FIGURE NO.	TITLE	PAGE NO.
12-17	Swing Valve Assembly	12-66
12-18	Sway Cylinder	12-68
12-19	Main Control Valve	12-70
12-20	Cab Heater Option	12-74
12-21	LH Tilt Assembly	12-86
12-22	LH Tilt/Sway Assembly	12-88
12-23	Auxiliary Hydraulics Field Kit - 534D-10 45 Ft Boom	12-90
12-24	Auxiliary Hydraulics & Sway Assembly - 45 Ft Boom	12-94
12-25	Auxiliary Hydraulic w/Electrics Assembly - 45 Ft Boom	12-98
12-26	Rear Axle Advantage Kit	12-102
12-27	Auxiliary Hydraulics Field Kit - 40 Ft Boom	12-106
12-28	Auxiliary Hyd Electronics w/LH Tilt/Sway Assembly - 45 Ft Boom	12-110
12-29	Auxiliary Hydraulics Assembly - 45 Ft Boom	12-114
12-30	RH Auxiliary Hydraulic Assembly - 45 Ft Boom	12-118
12-31	Rear Axle Stabilizer Field Kit	12-122
12-32	5-Button Auxiliary Handle Assembly	12-126
12-33	Winch Installation - 45 Ft Boom	12-128
12-34	Auxiliary Hyd Electronics w/LH Tilt/Sway	12-132
12-35	Adjustable Tilt on Joystick	12-136
12-36	Fuel/Water Separator Installation	12-140
12-37	Beacon Light Package	12-142
12-38	Cab Replacement Service Kit	12-146
12-39	Starter Kit	12-148
12-40	Pintle Hook Installation	12-150
12-41	Cold Start Installation	12-152
 SECTION 13 –		
	RECOMMENDED SPARE PARTS	13-1
 SECTION 14 – PART NUMBER INDEX		14-1

TABLE OF CONTENTS

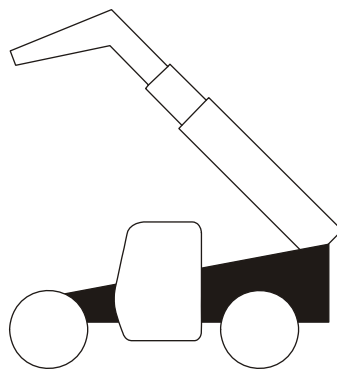
FIGURE NO.

TITLE

PAGE NO.

SECTION 1

FRAME & ATTACHING PARTS

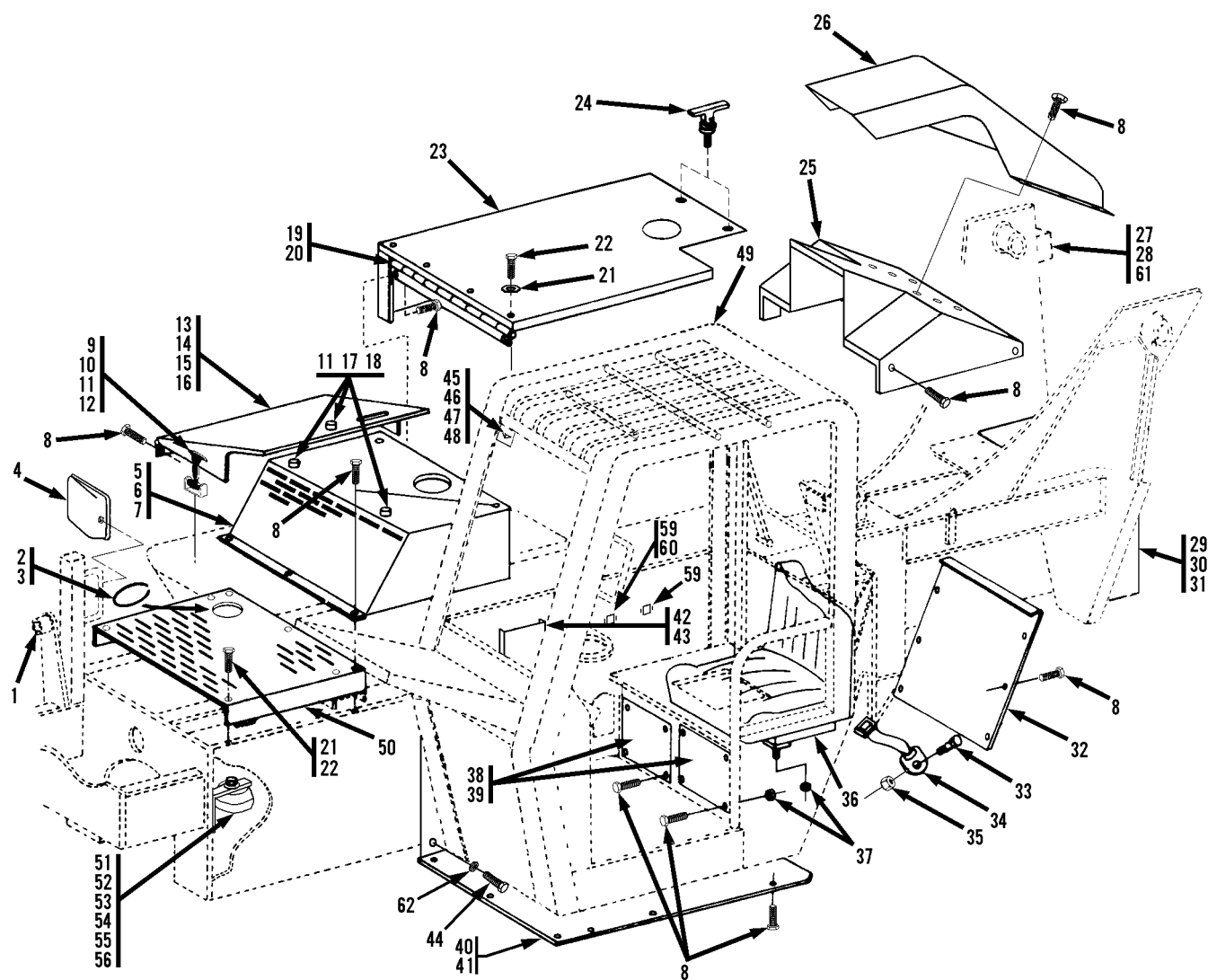




FRAME & ATTACHING PARTS

534D-9 S/N 0544001 thru 0160000853 excluding
0160000700
534D-10 S/N 0366001 thru 0160000974

Figure 1-1 Frame Shrouding & Trim



534D-9 S/N 0544001 thru 0160000853 excluding
 0160000700
 534D-10 S/N 0366001 thru 0160000974

FRAME & ATTACHING PARTS



Figure 1-1 Frame Shrouding & Trim

Item	Part Number	Qty.	Description	Rev.
	91146073	Ref	FRAME WELDMENT, (534D-9)	
	91156005	Ref	FRAME WELDMENT, (534D-10)	
	91143357	1	HORN ASSY, (includes items 51 & 52)	
	14404645	AR	T-9 METAL PROTECTANT, (12oz.)	
	14404646	AR	T-9 METAL PROTECTANT, (1gal.)	
1	91163014	1	BUSHING	
2	90206194	61 in	TRIM-LOK	
3	14402248	AR	ADHESIVE	
4	83683291	1	MIRROR	
5	91366003	1	RADIATOR COVER	
6	91143346	1	RUBBER AIR DAM	
7	90200755	24 in	WEATHER STRIP	
8	77143003	50	WHIZ-LOCK SCREW, 5/16-18X5/8	
9	90207458	2	DRAW LATCH	
10	88301193	8	ROUND HD MACHINE SCREW, #10-32X1/2	
11	88551007	12	LOCKWASHER, #10	
12	88501613	4	HEX NUT, #10-32	
13	91366004	1	TANK COVER WELDMENT	
14	85211088	2	RUBBER BUMPER	
15	88301077	2	ROUND HD MACHINE SCREW, #8-32X1-1/4	
16	88521604	2	HEX LOCKNUT, #8-32	
17	91083173	4	RUBBER HD SCREW BUMPER	
18	88501612	4	HEX NUT, #10-24	
19	91141218	1	HINGE	
20	91143348	2	CLAMP BAR	
21	88561003	4	FLAT WASHER, 5/16	
22	91123124	4	WHIZ-LOCK SCREW, 5/16-18X1/2	
23	91366017	1	REAR ENGINE COVER	
24	91303021	2	T-HANDLE, (534D-9 S/N 0544001 thru 0160000333, 534D-10 S/N 0366001 thru 016000359)	
	91363210	2	T-HANDLE, (534D-9 S/N 0160000477 thru 0160000853, 534D-10 S/N 0160000448 thru 0160000974)	
25	91146050	1	REAR COVER WELDMENT	
26	91366002	1	REAR COVER CENTER	
27	91403574	1	BACK-UP ALARM	
28	88201016	2	HEX HD CAPSCREW, 5/16-18X1/2, GR5	
29	91140001	1	COUNTERWEIGHT	
30	88201143	4	HEX HD CAPSCREW, 1-8X5, GR5, (torque to 545-595 ft.lbs.)	
31	88561011	4	WASHER, 1	
32	91141436	1	REAR CAB COVER	
33	88201050	2	HEX HD CAPSCREW, 7/16-14X1, GR5	
34	91033029	1	SEAT BELT, (not used with optional seat)	
35	88501007	2	HEX NUT, 7/16-14	
36	91033485	1	SEAT W/ARMREST, (std.)	
	91124107	1	SLIDE ADJ. KIT, (use with std. seat)	
	91043237	1	GRAMMER SEAT, (opt.)	
	88201020	4	HEX HD CAPSCREW, 5/16-18X1, GR5, (use with opt. seat)	
37	77143006	8	WHIZ- LOCKNUT, 5/16-18	
38	91081475	1	HEATER COVER PLATE	



FRAME & ATTACHING PARTS

534D-9 S/N 0544001 thru 0160000853 excluding
0160000700
534D-10 S/N 0366001 thru 0160000974

Figure 1-1 Frame Shrouding & Trim (Continued)

Item	Part Number	Qty.	Description	Rev.
39	91141329	1	VALVE ACCESS COVER	
40	91361005	1	BELLY PAN	
41	91083533	10	FENDER WASHER, 1-1/2, OD	
42	91033102	1	MANUAL HOLDER, (534D-9 S/N 0544001 thru S/N 0544834, 534D-10 S/N 0366001 thru S/N 0366219)	
	91403230	1	MANUAL HOLDER, (S/N 0544835 & S/N 0366220)	
43	77143013	4	WHIZ-LOCKNUT, 1/4-20	
44	83201158	4	HEX HD CAPSCREW, 7/8-9X1-3/4, (torque to 450-475 ft.lbs.)	
45		1	TILT GAUGE, (no longer available, use item 8466306 for service)	
	8466306	1	TILT GAUGE, (W/adhesive)	
46	88204912	1	HEX HD CAPSCREW, 1/4-20X1	
47	88561107	1	FLAT WASHER, 1/4	
48	88521204	1	LOCKNUT, 1/4-20	
49		Ref	OPEN CAB, (see Figure 6-1 for details)	
50	91361007	1	DECK COVER	
51	91144438	1	HORN	
52	91144439	1	HORN BRACKET	
53	86621230	3	SUPPORT CLAMP, (3 used to hold quick start wiring)	
54	77133177	1	HEX HD CAPSCREW, 5/16-18X1-3/8, GR5	
55	77133168	1	CLAMP SET	
56	77133140	1	COVER PLATE	
57	77143006	2	WHIZ-LOCKNUT, 5/16-18, (use with item 58), (not shown)	
58	91366006	1	HOSE GUARD, (located under dash panel, beneath steering column), (534D-9 S/N 0544002 thru 0544834, 534D-10 S/N 0366001 thru 0366219), (not shown)	
	91363065	1	HOSE GUARD, (located under dash panel, beneath steering column), (534D-9 S/N 0544835 thru 0160000853, 534D-10 S/N 0366220 thru 0160000974), (not shown)	
59	88261014	4	SOCKET BUTTON HD CAPSCREW, 1/4-20X1/2	
60	91146081	1	DIP-STICK COVER	
61	86683122	1	TIE WRAP	
62	4892500	4	HARDENED WASHER, 7/8	

534D-9 S/N 0544001 thru 0160000853 excluding
0160000700
534D-10 S/N 0366001 thru 0160000974

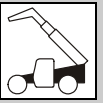


Figure 1-1 Frame Shrouding & Trim (Continued)

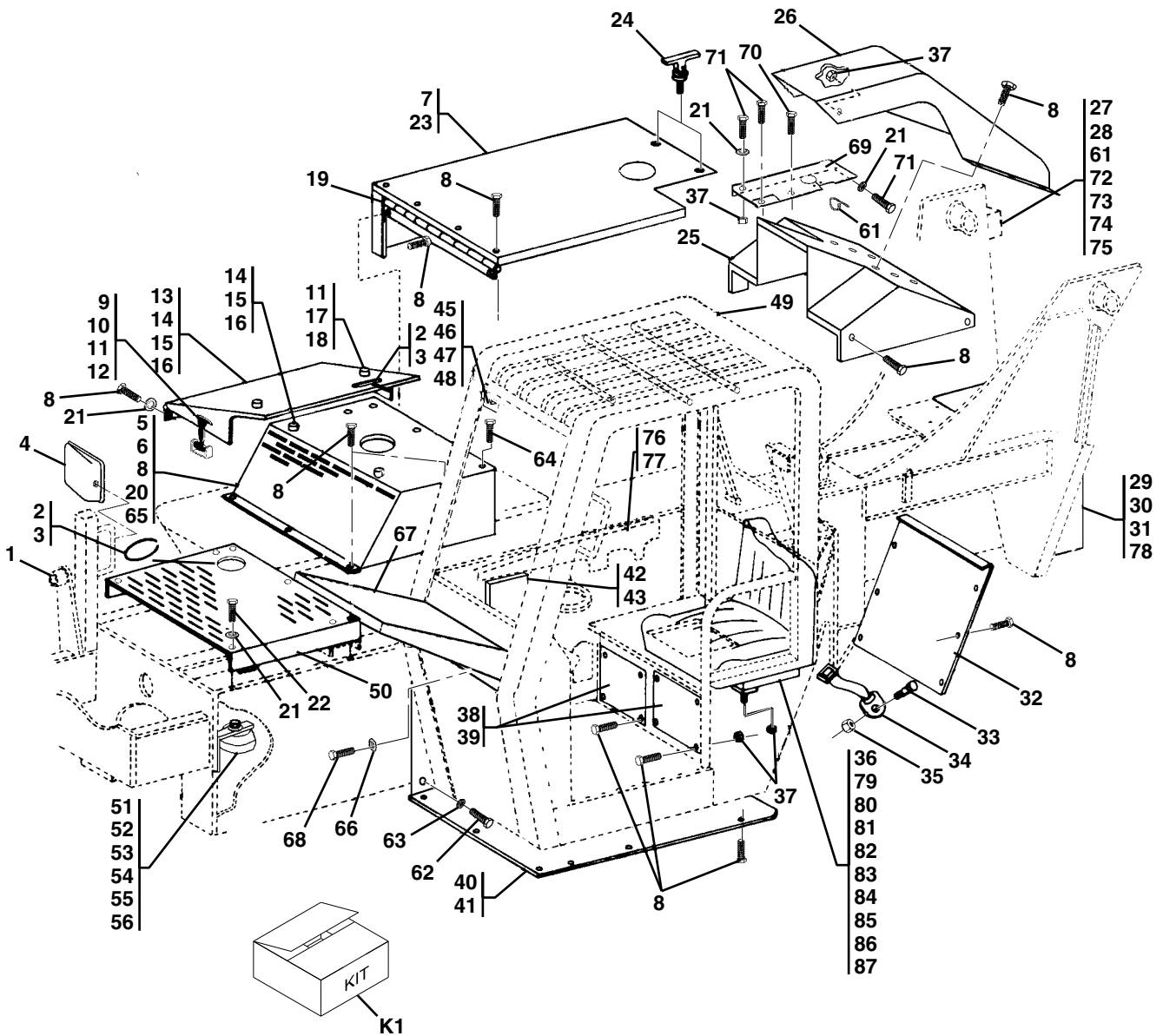
Item	Part Number	Qty.	Description	Rev.



FRAME & ATTACHING PARTS

534D-9 S/N 0160001051 thru 0160035941
including 0160000700 excluding 0160034957
534D-10 S/N 0160000978 thru 0160034816
excluding 0160035696

Figure 1-1 Frame Shrouding & Trim



PAP17830

534D-9 S/N 0160001051 thru 0160035941
including 0160000700 excluding 0160034957
534D-10 S/N 0160000978 thru 0160034816
excluding 0160035696

FRAME & ATTACHING PARTS



Figure 1-1 Frame Shrouding & Trim

Item	Part Number	Qty.	Description	Rev.
	91536001	Ref	FRAME WELDMENT, (534D-9)	
	91546001	Ref	FRAME WELDMENT, (534D-10)	
	91143357	1	HORN ASSY, (includes items 51 & 52)	
	14404645	AR	T-9 METAL PROTECTANT, (12oz.)	
	14404646	AR	T-9 METAL PROTECTANT, (1gal.)	
1	91163014	1	BUSHING	
2	90206194	61 in	TRIM-LOK	
3	14402248	AR	ADHESIVE	
4	83683291	1	MIRROR	
5	91536006	1	RADIATOR COVER	
6	91533006	1	RUBBER AIR DAM	
7	90200755	21 in	WEATHER STRIP	
8	77143003	59	WHIZ-LOCK SCREW, 5/16-18X5/8	
9	90207458	2	DRAW LATCH	
10	88301193	8	ROUND HD MACHINE SCREW, #10-32X1/2	
11	88551007	10	LOCKWASHER, #10	
12	88501613	4	HEX NUT, #10-32	
13	91366004	1	TANK COVER WELDMENT	
14	85211088	4	RUBBER BUMPER	
15	88301073	4	ROUND HD MACHINE SCREW, #8-32X1-3/4	
16	88521604	4	HEX LOCKNUT, #8-32	
17	91083173	2	RUBBER HD SCREW BUMPER	
18	88501612	2	HEX NUT, #10-24	
19	91141218	1	HINGE	
20	91143348	2	CLAMP BAR	
21	88561003	15	FLAT WASHER, 5/16	
22	91123124	4	WHIZ-LOCK SCREW, 5/16-18X1/2	
23	91536008	1	REAR ENGINE COVER	
24	91363210	2	T-HANDLE	
25	91146050	1	REAR COVER WELDMENT	
26	91536007	1	REAR COVER CENTER	
27		1	BACK-UP ALARM, (534D-9 Before S/N 0160016762 excluding 0160015300, 0160015301 & 0160015302, 534D-10 Before S/N 0160016757)	
	8270621	1	BACK-UP ALARM, (534D-9 S/N 0160016762 & After including 0160015300, 0160015301 & 0160015302, 534D-10 S/N 0160016757 & After)	
28	0641406	2	HEX HD CAPSCREW, 1/4-20X3/4, GR5, (534D-9 S/N 0160016762 & After including 0160015300, 0160015301 & 0160015302, 534D-10 S/N 0160016757 & After)	
29	91140001	1	COUNTERWEIGHT, (no pintle hook)	
	1001091458	1	COUNTERWEIGHT, (with pintle hook)	
30	88201143	4	HEX HD CAPSCREW, 1-8X5, GR5, (torque to 545-595 ft.lbs.)	
31	88561011	4	WASHER, 1	
32	91141436	1	REAR CAB COVER, (534D-9 S/N 0160001051 thru 0160012394 including 0160000700 excluding 0160012112, 534D-10 S/N 0160000978 thru 0160012392 excluding 0160012289)	
		Ref	REAR CAB COVER, (534D-9 S/N 0160012443 & After including 0160012112, 534D-10 S/N 0160012446 & After including 0160012289), (see Figure 6-1 for details)	
33	88201050	2	HEX HD CAPSCREW, 7/16-14X1, GR5, (534D-9 Before S/N 0160016105, 534D-10 Before S/N 0160016100)	



FRAME & ATTACHING PARTS

534D-9 S/N 0160001051 thru 0160035941
 including 0160000700 excluding 0160034957
 534D-10 S/N 0160000978 thru 0160034816
 excluding 0160035696

Figure 1-1 Frame Shrouding & Trim (Continued)

Item	Part Number	Qty.	Description	Rev.
34	91033029	1	SEAT BELT, (not used with optional seat), (534D-9 Before S/N 0160016105, 534D-10 Before S/N 0160016100)	
35	88501007	2	HEX NUT, 7/16-14, (534D-9 Before S/N 0160016105, 534D-10 Before S/N 0160016100)	
36	91033485	1	SEAT W/ARMREST, (std.), (534D-9 Before S/N 0160016105, 534D-10 Before S/N 0160016100)	
	91563158	1	SUSPENSION SEAT W/2 IN SEAT BELT, (534D-9 S/N 0160016105 & After, 534D-10 S/N 0160016100 & After)	E
	1001101085	1	SUSPENSION SEAT W/2 IN SEAT BELT, (includes items 81 thru 87)	
	7026904	1	ARMREST KIT	
	91124107	1	SLIDE ADJ. KIT, (use with std. seat), (534D-9 Before S/N 0160016105, 534D-10 Before S/N 0160016100)	
	91043237	1	GRAMMER SEAT, (opt.), (534D-9 Before S/N 0160016105, 534D-10 Before S/N 0160016100)	
	88201020	4	HEX HD CAPSCREW, 5/16-18X1, GR5, (use with opt. seat), (534D-9 Before S/N 0160016105, 534D-10 Before S/N 0160016100)	
37	77143006	7	WHIZ-LOCKNUT, 5/16-18	
38	91081475	1	HEATER COVER PLATE, (534D-9 S/N 0160001051 thru 0160012394 including 0160000700 excluding 0160012112, 534D-10 S/N 0160000978 thru 0160012392 excluding 0160012289)	
		Ref	HEATER COVER PLATE, (534D-9 S/N 0160012443 & After including 0160012112, 534D-10 S/N 0160012446 & After including 0160012289), (see Figure 6-1 for details)	
39	91141329	1	VALVE ACCESS COVER, (534D-9 S/N 0160001051 thru 0160012394 including 0160000700 excluding 0160012112, 534D-10 S/N 0160000978 thru 0160012392 excluding 0160012289)	
		Ref	VALVE ACCESS COVER, (534D-9 S/N 0160012443 & After including 0160012112, 534D-10 S/N 0160012446 & After including 0160012289), (see Figure 6-1 for details)	
40	91361005	1	BELLY PAN, (534D-9 S/N 0160001051 thru 0160012394 including 0160000700 excluding 0160012112, 534D-10 S/N 0160000978 thru 0160012392 excluding 0160012289)	
		Ref	BELLY PAN, (534D-9 S/N 0160012443 & After including 0160012112, 534D-10 S/N 0160012446 & After including 0160012289), (see Figure 6-1 for details)	
41	91083533	10	FENDER WASHER, 1-1/2, OD	
42	91403230	1	MANUAL HOLDER	
43	77143013	4	WHIZ-LOCKNUT, 1/4-20	
44	77143006	2	WHIZ-LOCKNUT, 5/16-18, (use with item 58), (not shown)	
45		1	TILT GAUGE, (534D-9 S/N 0160001051 thru 0160005689, 534D-10 S/N 0160000978 thru 0160005679), (no longer available, use 8466306 for service)	
	8466306	1	TILT GAUGE, (W/adhesive), (534D-9 S/N 0160005714 & After, 534D-10 S/N 0160005712 & After)	
46	88204912	1	HEX HD CAPSCREW, 1/4-20X1, (534D-9 S/N 0160001051 thru 0160005689, 534D-10 S/N 0160000978 thru 0160005679)	
47	88561107	1	FLAT WASHER, 1/4, (534D-9 S/N 0160001051 thru 0160005689, 534D-10 S/N 0160000978 thru 0160005679)	
48	88521204	1	LOCKNUT, 1/4-20, (534D-9 S/N 0160001051 thru 0160005689, 534D-10 S/N 0160000978 thru 0160005679)	
49		Ref	OPEN CAB, (see Figure 6-1 for details)	
50	91361007	1	DECK COVER	

534D-9 S/N 0160001051 thru 0160035941
including 0160000700 excluding 0160034957
534D-10 S/N 0160000978 thru 0160034816
excluding 0160035696

FRAME & ATTACHING PARTS



Figure 1-1 Frame Shrouding & Trim (Continued)

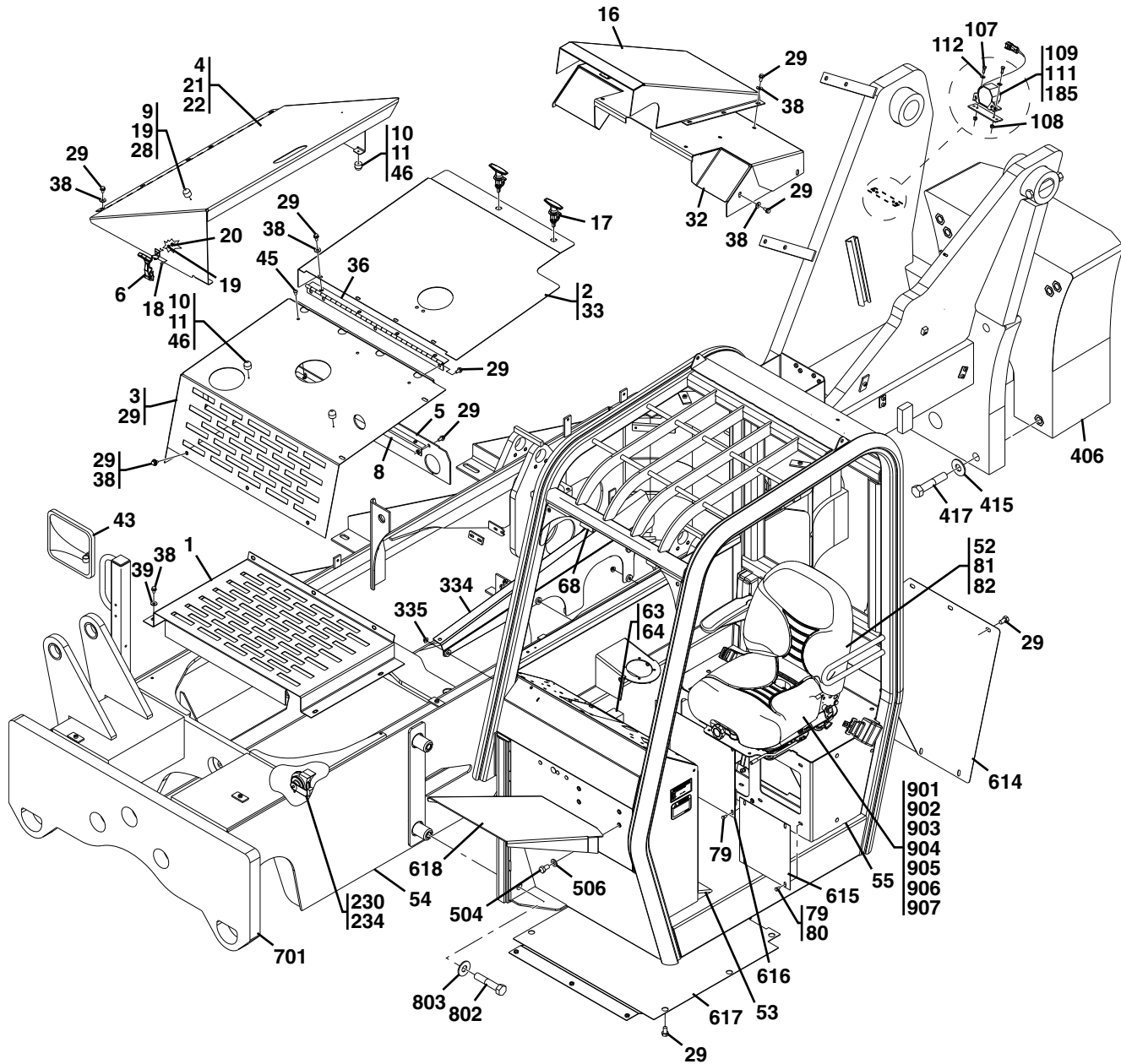
Item	Part Number	Qty.	Description	Rev.
51	91144438	1	HORN	
52	91144439	1	HORN BRACKET	
53	86621230	1	SUPPORT CLAMP	
54	77133177	1	HEX HD CAPSCREW, 5/16-18X1-3/8, GR5	
55	77133168	1	CLAMP SET	
56	77133140	1	COVER PLATE	
58	91363065	1	HOSE GUARD, (not shown), (located under dash panel, beneath steering column)	
61	86683122	2	TIE WRAP	
62	83201158	4	HEX HD CAPSCREW, 7/8-9X1-3/4, GR8, (torque to 450-475 ft.lbs.)	
63	4892500	4	HARDENED WASHER, 7/8	
64	88261020	3	SOCKET BUTTON HD CAPSCREW, 5/16-18X1/2	
65	91531021	1	AIR DAM SUPPORT	
66	4751500	4	FLAT WASHER, 5/16, (534D-9 S/N 0160012443 & After including 0160012112, 534D-10 S/N 0160012446 & After including 0160012289)	
67		Ref	FENDER, (see Figure 6-1 for details)	
68	88201021	4	HEX HD CAPSCREW, 5/16-18X1-1/4, (534D-9 S/N 0160012443 & After including 0160012112, 534D-10 S/N 0160012446 & After including 0160012289)	
69	91533007	1	RUBBER AIR DEFLECTOR	
70	0791512	1	WHIZ-LOK SCREW, 5/16-18X1-1/2	
71	91363018	4	WHIZ-LOK SCREW, 5/16-18X1	
72	8305624	2	HEX LOCKNUT, 1/4-20	
73	3576433	1	MOUNTING BAR	
74	4711400	2	FLAT WASHER, 1/4	
75	86683480	2	BUTT CONNECTOR	
76	91536016	1	SHEET METAL SUPPORT	
77	77143006	4	WHIZ-LOCKNUT, 5/16-18	
78	0100019	AR	LOCTITE® 271™	
79	3311505	4	HEX LOCKNUT, 5/16-18, (534D-9 S/N 0160016105 & After, 534D-10 S/N 0160016100 & After)	
80	4711500	4	FLAT WASHER, 5/16, (534D-9 S/N 0160016105 & After, 534D-10 S/N 0160016100 & After)	
81	7026900	1	BACK CUSHION KIT	
82	7026902	1	BACK PANEL KIT	
83	7026905	1	SEAT BELT	
	91565064	1	SEAT BELT, 3 IN, (California Only) , (not included with std. seat)	
84	7026906	1	TETHER KIT	
85	7026901	1	SEAT CUSHION KIT	
86	7026799	1	KNOB KIT	
87	7026798	1	SLIDE KIT	
K1	2915184	1	BACK-UP ALARM SERVICE KIT, (includes items 27, 28 & 72 thru 75)	A



FRAME & ATTACHING PARTS

534D-9 S/N 0160035983 & After
including 0160034957
534D-10 S/N 0160035696 & After

Figure 1-1 Frame Shrouding & Trim



PAP17820