



---

# *Illustrated Parts Manual*

*Models*  
*3614RS*  
*4017RS*

**31200939**

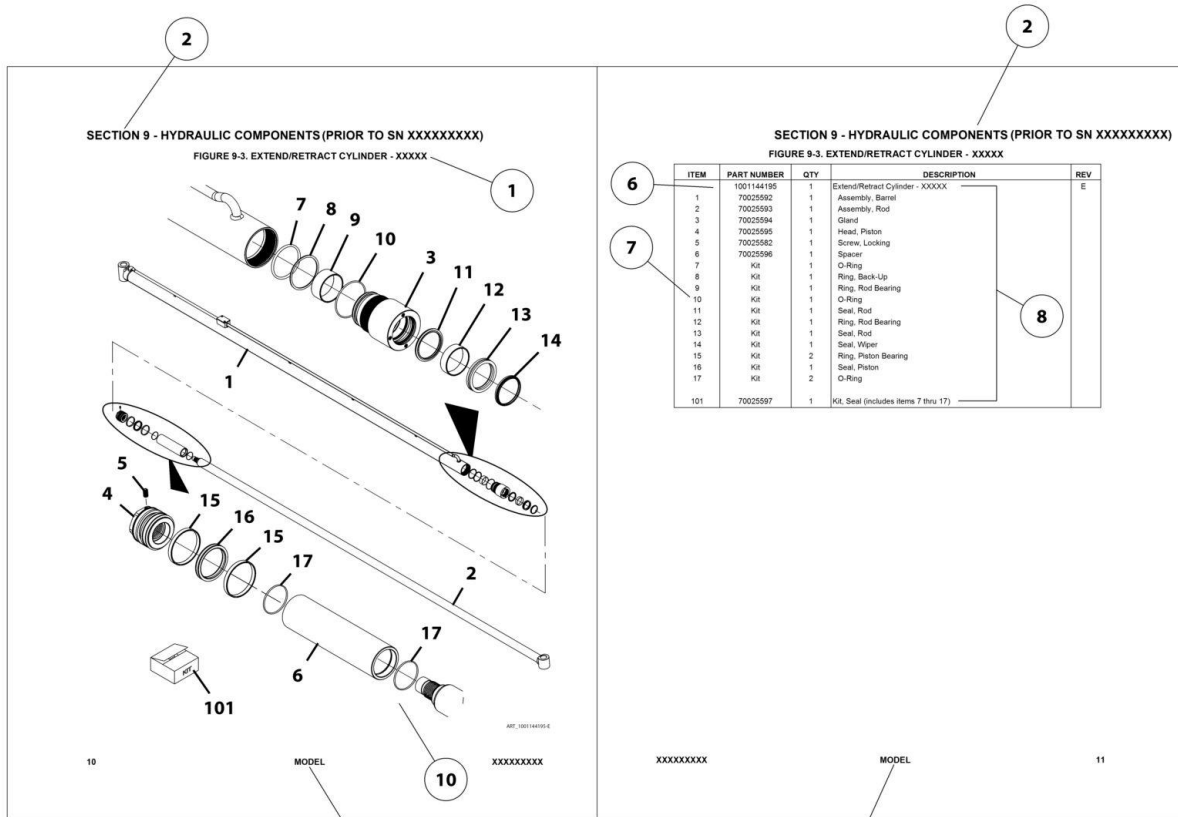
May 9, 2014





## **EFFECTIVITY PAGE**

May 9, 2014 - A - Original Issue of Manual



**General Information**

**1. MACHINE IDENTIFICATION**

Machines are identified by model and in some cases a combination of model, serial number (S/N) or regional standard (e.g. ANSI, CE, CSA, AUS). Components may also be identified by S/N or manufacturer. Common components that may be identified by these characteristics are attachments, engine, transmission and hydraulic components.

**2. PARTS MANUAL ORGANIZATION**

Product information in this manual is organized under section titles. Frame, Engine and Electrical are a few examples. Each section is organized by Figure and page number. The information within the Figure is then organized by item number, part number, description and corresponding illustration(s).

**3. TABLE OF CONTENTS**

A table of contents (TOC) is found toward the beginning of the manual. Figure number, description and page number are provided for quick reference to the page containing the related information.

**4. RECOMMENDED SPARE PARTS**

The Recommended Spare Parts, located near the end of the manual, references most frequently used maintenance parts.

**5. PART NUMBER INDEX**

A numerical index listing all part numbers and the corresponding page number(s) appears at the back of the manual.

**6. NON-SERVICED PARTS**

In some instances it is necessary to display non-serviced parts, assemblies or installations. In the case of assemblies and installations there will be a Ref in the QTY column and a note after the item description stating what is available for service within. In the case of parts that are not available for service within assemblies or components there will be a NSS (Not Sold Separately) listed in the part number column of the manual.

**7. PARTS LIST ITEM NUMBERS**

Numbers shown in the Item column correspond to numbers used in the associated illustration(s). Item numbers which are missing from sequence and are not shown in the illustration(s) are not used on that page.

**8. INDENTED PART DESCRIPTION**

An indented part description is included in the item under which it is indented.

**9. ABBREVIATIONS AND SYMBOLS**

AC .....	Alternating Current	LB .....	Pound
ADE .....	Advanced Design Electronics	LCD .....	Liquid Crystal Display
ANSI .....	American National Standards Institute	LED .....	Light Emitting Diode
AR .....	As Required	LH .....	Left Hand
ASSY .....	Assembly	LS .....	Low Sulfur
AUS .....	Australia	LSS .....	Load Sensing System
AUX .....	Auxiliary	M(m) .....	Metric/Meter
AWG .....	American Wire Gauge	MM .....	Millimeter
CE .....	European Conformity	MA .....	Milliamp
CM .....	Centimeter	N .....	Newton
CSA .....	Canadian Standards Association	NLA .....	No Longer Available
DIA .....	Diameter	NSS .....	Not Sold Separately
DC .....	Direct Current	OD .....	Outside Diameter
EMS .....	Emergency Stop	ORB .....	O-Ring Boss
FT .....	Foot	ORFS .....	O-Ring Face Seal
GA .....	Gauge	OZ .....	Ounce
GR .....	Grade	QT .....	Quart
HAC .....	Heater and Air Conditioner	QTY .....	Quantity
ID .....	Inside Diameter	REF .....	Reference
IN .....	Inch	REV .....	Revision
ISO .....	International Organization for Standards	RH .....	Right Hand
ITSDF .....	Industrial Truck Standards Development Foundation	SN .....	Serial Number
JIC .....	Joint Industry Council	SAE .....	Society of Automotive Engineers
KG .....	Kilogram	UGM .....	Universal Ground Module
KW .....	Kilowatt	ULS .....	Ultra Low Sulfur
L .....	Liter	V .....	Volt

**10. ILLUSTRATION REFERENCE LETTERS**

When necessary, illustrations may contain reference letters that are intended to track information from one point to another in the illustration such as harnesses and hoses or any other information that has been separated in the illustration.

**Note:** Due to continuous product improvements, JLG Industries, Inc. reserves the right to make specification changes without prior notification. Contact JLG Industries, Inc. for updated information.



# TABLE OF CONTENTS

SECTION 1 - FRAME & ATTACHING PARTS.....	13
FIGURE 1-1. FRAME INSTALLATION - 3614RS.....	14
FIGURE 1-2. FRAME INSTALLATION - 4017RS.....	16
FIGURE 1-3. ENCLOSURE GROUP INSTALLATION.....	18
FIGURE 1-4. MIRROR INSTALLATION - 3614RS.....	20
FIGURE 1-5. MIRROR INSTALLATION - 4017RS.....	22
FIGURE 1-6. MIRROR ASSEMBLY.....	24
FIGURE 1-7. BOOM PROP INSTALLATION.....	26
FIGURE 1-8. WHEEL CHOCK INSTALLATION.....	28
FIGURE 1-9. COUNTERWEIGHT INSTALLATION - 3614RS.....	30
FIGURE 1-10. COUNTERWEIGHT INSTALLATION - 4017RS.....	32
FIGURE 1-11. HOOD ASSEMBLY.....	34
FIGURE 1-12. SOUND SUPPRESSION INSTALLATION.....	36
FIGURE 1-13. CHASSIS COVER PLATE INSTALLATION - 3614RS.....	38
FIGURE 1-14. CHASSIS COVER PLATE INSTALLATION - 4017RS.....	40
FIGURE 1-15. LICENSE PLATE INSTALLATION.....	42
FIGURE 1-16. RETRIEVAL HITCH.....	44
FIGURE 1-17. HYDRAULIC TANK INSTALLATION.....	46
SECTION 2 - BOOM.....	49
FIGURE 2-1. BOOM INSTALLATION - 3614RS (NO AUXILIARY HYDRAULICS).....	50
FIGURE 2-2. BOOM INSTALLATION - 3614RS (AUXILIARY HYDRAULICS).....	52
FIGURE 2-3. BOOM INSTALLATION - 4017RS (NO AUXILIARY HYDRAULICS).....	54
FIGURE 2-4. BOOM INSTALLATION - 4017RS (AUXILIARY HYDRAULICS).....	56
FIGURE 2-5. BOOM ASSEMBLY - 3614RS (NO AUXILIARY HYDRAULICS).....	58
FIGURE 2-6. BOOM ASSEMBLY - 3614RS (AUXILIARY HYDRAULICS).....	60
FIGURE 2-7. BOOM ASSEMBLY - 4017RS (NO AUXILIARY HYDRAULICS).....	62
FIGURE 2-8. BOOM ASSEMBLY - 4017RS (AUXILIARY HYDRAULICS).....	64
FIGURE 2-9. EXTEND CHAIN ASSEMBLY - 3614RS.....	66
FIGURE 2-10. EXTEND CHAIN ASSEMBLY (1) - 4017RS.....	68
FIGURE 2-11. EXTEND CHAIN ASSEMBLY (2) - 4017RS.....	70
FIGURE 2-12. RETRACT CHAIN ASSEMBLY - 3614RS.....	72
FIGURE 2-13. RETRACT CHAIN ASSEMBLY (1) - 4017RS.....	74
FIGURE 2-14. RETRACT CHAIN ASSEMBLY (2) - 4017RS.....	76
FIGURE 2-15. COVER PLATE INSTALLATION - 3614RS.....	78
FIGURE 2-16. COVER PLATE INSTALLATION - 4017RS.....	80
FIGURE 2-17. FIRST BOOM SECTION - 3614RS.....	82
FIGURE 2-18. FIRST BOOM SECTION - 4017RS.....	84
FIGURE 2-19. SECOND BOOM SECTION - 3614RS.....	86
FIGURE 2-20. SECOND BOOM SECTION - 4017RS.....	88
FIGURE 2-21. THIRD BOOM SECTION - 3614RS.....	90
FIGURE 2-22. THIRD BOOM SECTION - 4017RS.....	92
FIGURE 2-23. FOURTH BOOM SECTION - 4017RS.....	94
FIGURE 2-24. HOSE SUPPORT ASSEMBLY - 4017RS.....	96
FIGURE 2-25. MANUAL QUICK ATTACH.....	98
FIGURE 2-26. HYDRAULICS INSTALLATION - 3614RS (NO AUXILIARY HYDRAULICS).....	100
FIGURE 2-27. HYDRAULICS INSTALLATION - 3614RS (AUXILIARY HYDRAULICS).....	102
FIGURE 2-28. HYDRAULICS INSTALLATION - 4017RS.....	104
FIGURE 2-29. HYDRAULICS ASSEMBLY - 4017RS.....	106
FIGURE 2-30. HYDRAULICS INSTALLATION - 4017RS (AUXILIARY HYDRAULICS).....	108
SECTION 3 - ATTACHMENTS.....	111
FIGURE 3-1. CARRIAGE.....	112
FIGURE 3-2. FORKS.....	114
FIGURE 3-3. BUCKET.....	116
FIGURE 3-4. MULTI-PURPOSE BUCKET.....	118
FIGURE 3-5. TRUSS BOOM.....	120
SECTION 4 - ENGINE & ATTACHING PARTS.....	123
FIGURE 4-1. ENGINE AND TRANSMISSION INSTALLATION (ULS).....	124
FIGURE 4-2. ENGINE AND TRANSMISSION INSTALLATION (LS).....	126
FIGURE 4-3. ENGINE MOUNTING INSTALLATION.....	128

# TABLE OF CONTENTS

FIGURE 4-4. HYDRAULIC PUMP INSTALLATION .....	130
FIGURE 4-5. TURBO SHIELD INSTALLATION .....	132
FIGURE 4-6. FUEL LINES INSTALLATION .....	134
FIGURE 4-7. FUEL TANK INSTALLATION .....	136
FIGURE 4-8. FUEL TANK .....	138
FIGURE 4-9. COOLING SYSTEM INSTALLATION .....	140
FIGURE 4-10. EXPANSION TANK ASSEMBLY .....	142
FIGURE 4-11. RADIATOR ASSEMBLY .....	144
FIGURE 4-12. TRANSMISSION COOLING INSTALLATION .....	146
FIGURE 4-13. HEATER LINES INSTALLATION .....	148
FIGURE 4-14. AIR SYSTEM INSTALLATION .....	150
FIGURE 4-15. AIR FILTER ASSEMBLY .....	152
FIGURE 4-16. AIR INTAKE FILTER .....	154
FIGURE 4-17. EXHAUST SYSTEM INSTALLATION (ULS) .....	156
FIGURE 4-18. EXHAUST SYSTEM INSTALLATION (LS) .....	158
SECTION 5 - DRIVETRAIN .....	161
FIGURE 5-1. AXLE INSTALLATION - 3614RS .....	162
FIGURE 5-2. AXLE INSTALLATION (NO FOAM FILL) - 4017RS .....	164
FIGURE 5-3. AXLE INSTALLATION (FOAM FILL) - 4017RS .....	166
FIGURE 5-4. DRIVE SHAFT INSTALLATION - 3614RS .....	168
FIGURE 5-5. DRIVE SHAFT INSTALLATION - 4017RS .....	170
FIGURE 5-6. FRONT AXLE - 3614RS .....	172
FIGURE 5-7. FRONT AXLE, CENTRAL HOUSING - 3614RS .....	174
FIGURE 5-8. FRONT AXLE, DIFFERENTIAL - 3614RS .....	176
FIGURE 5-9. FRONT AXLE, HUB REDUCTION - 3614RS .....	178
FIGURE 5-10. FRONT AXLE, BRAKES - 3614RS .....	182
FIGURE 5-11. FRONT AXLE, STEERING - 3614RS .....	184
FIGURE 5-12. FRONT AXLE, TRUNION - 3614RS .....	186
FIGURE 5-13. FRONT AXLE - 4017RS .....	188
FIGURE 5-14. FRONT AXLE, CENTRAL HOUSING - 4017RS .....	190
FIGURE 5-15. FRONT AXLE, DIFFERENTIAL - 4017RS .....	192
FIGURE 5-16. FRONT AXLE, HUB REDUCTION - 4017RS .....	194
FIGURE 5-17. FRONT AXLE, BRAKES - 4017RS .....	198
FIGURE 5-18. FRONT AXLE, STEERING - 4017RS .....	200
FIGURE 5-19. FRONT AXLE, TRUNION - 4017RS .....	202
FIGURE 5-20. REAR AXLE - 3614RS, 4017RS (NO FOAM FILL) .....	204
FIGURE 5-21. REAR AXLE, CENTRAL HOUSING - 3614RS, 4017RS (NO FOAM FILL) .....	206
FIGURE 5-22. REAR AXLE, DIFFERENTIAL - 3614RS, 4017RS (NO FOAM FILL) .....	208
FIGURE 5-23. REAR AXLE, HUB REDUCTION - 3614RS, 4017RS (NO FOAM FILL) .....	210
FIGURE 5-24. REAR AXLE, BRAKES - 3614RS, 4017RS (NO FOAM FILL) .....	214
FIGURE 5-25. REAR AXLE, STEERING - 3614RS, 4017RS (NO FOAM FILL) .....	216
FIGURE 5-26. REAR AXLE, TRUNION - 3614RS, 4017RS (NO FOAM FILL) .....	218
FIGURE 5-27. REAR AXLE - 4017RS (FOAM FILL) .....	220
FIGURE 5-28. REAR AXLE, CENTRAL HOUSING - 4017RS (FOAM FILL) .....	222
FIGURE 5-29. REAR AXLE, DIFFERENTIAL - 4017RS (FOAM FILL) .....	224
FIGURE 5-30. REAR AXLE, HUB REDUCTION - 4017RS (FOAM FILL) .....	226
FIGURE 5-31. REAR AXLE, BRAKES - 4017RS (FOAM FILL) .....	230
FIGURE 5-32. REAR AXLE, STEERING - 4017RS (FOAM FILL) .....	232
FIGURE 5-33. REAR AXLE, TRUNION - 4017RS (FOAM FILL) .....	234
FIGURE 5-34. POWERSHIFT TRANSMISSION .....	236
FIGURE 5-35. POWERSHIFT TRANSMISSION, CONVERTER HOUSING .....	238
FIGURE 5-36. POWERSHIFT TRANSMISSION, TRANSMISSION PLATE .....	240
FIGURE 5-37. POWERSHIFT TRANSMISSION, TORQUE CONVERTER .....	242
FIGURE 5-38. POWERSHIFT TRANSMISSION, GEAR GROUP .....	244
FIGURE 5-39. POWERSHIFT TRANSMISSION, PUMP DRIVE .....	246
FIGURE 5-40. POWERSHIFT TRANSMISSION, CHARGE PUMP .....	248
FIGURE 5-41. POWERSHIFT TRANSMISSION, REVERSE IDLER .....	250
FIGURE 5-42. POWERSHIFT TRANSMISSION, FORWARD & REVERSE SHAFT .....	252
FIGURE 5-43. POWERSHIFT TRANSMISSION, 3RD SHAFT .....	254
FIGURE 5-44. POWERSHIFT TRANSMISSION, 1ST & 2ND SHAFT .....	256
FIGURE 5-45. POWERSHIFT TRANSMISSION, OUTPUT SHAFT .....	258
FIGURE 5-46. POWERSHIFT TRANSMISSION, DROP BOX .....	260
FIGURE 5-47. POWERSHIFT TRANSMISSION, CONTROL .....	262
FIGURE 5-48. POWERSHIFT TRANSMISSION, MODULATION VALVE .....	264
FIGURE 5-49. POWERSHIFT TRANSMISSION, DRIVE PLATE .....	266



# TABLE OF CONTENTS

FIGURE 5-50. TIRE WHEEL SET, MITAS 15.5/80-24 - 3614RS .....	268
FIGURE 5-51. RH MITAS WHEEL - 3614RS .....	270
FIGURE 5-52. LH MITAS WHEEL - 3614RS .....	272
FIGURE 5-53. TIRE WHEEL SET, MITAS 14.00-24 - 4017RS .....	274
FIGURE 5-54. RH MITAS WHEEL - 4017RS .....	276
FIGURE 5-55. LH MITAS WHEEL - 4017RS .....	278
FIGURE 5-56. TIRE WHEEL SET, GOODYEAR 15.5-25 SGL - 3614RS .....	280
FIGURE 5-57. RH GOODYEAR WHEEL - 3614RS .....	282
FIGURE 5-58. LH GOODYEAR WHEEL - 3614RS .....	284
FIGURE 5-59. TIRE WHEEL SET, GOODYEAR 14.00-24 - 4017RS .....	286
FIGURE 5-60. RH GOODYEAR WHEEL - 4017RS .....	288
FIGURE 5-61. LH GOODYEAR WHEEL - 4017RS .....	290
FIGURE 5-62. TIRE WHEEL SET, MICHELIN 400/80-24 POWER CL - 3614RS .....	292
FIGURE 5-63. RH MICHELIN WHEEL - 3614RS .....	294
FIGURE 5-64. LH MICHELIN WHEEL - 3614RS .....	296
FIGURE 5-65. TIRE WHEEL SET, MICHELIN - 4017RS .....	298
FIGURE 5-66. MICHELIN WHEEL - 4017RS .....	300
FIGURE 5-67. TIRE WHEEL SET, FIRESTONE 370/75-28 - 3614RS .....	302
FIGURE 5-68. FIRESTONE WHEEL - 3614RS .....	304
FIGURE 5-69. TIRE WHEEL SET, FIRESTONE 400/75-28 16 PLY - 4017RS .....	306
FIGURE 5-70. FIRESTONE WHEEL - 4017RS .....	308
FIGURE 5-71. FOAM FILLED WHEEL SET - 3614RS .....	310
FIGURE 5-72. RH FOAM WHEEL - 3614RS .....	312
FIGURE 5-73. LH FOAM WHEEL - 3614RS .....	314
FIGURE 5-74. FOAM FILLED WHEEL SET - 4017RS .....	316
FIGURE 5-75. RH FOAM WHEEL - 4017RS .....	318
FIGURE 5-76. LH FOAM WHEEL - 4017RS .....	320
SECTION 6 - CAB .....	323
FIGURE 6-1. CAB INSTALLATION (FNR LEVER) .....	324
FIGURE 6-2. CAB INSTALLATION (NO FNR LEVER) .....	326
FIGURE 6-3. CAB (FNR LEVER) .....	328
FIGURE 6-4. CAB (NO FNR LEVER) .....	330
FIGURE 6-5. CAB ASSEMBLY .....	332
FIGURE 6-6. CAB .....	334
FIGURE 6-7. FUEL DOOR INSTALLATION .....	336
FIGURE 6-8. DOOR STRAP INSTALLATION .....	338
FIGURE 6-9. INTERIOR MIRROR .....	340
FIGURE 6-10. MIRROR INSTALLATION .....	342
FIGURE 6-11. TRIM INSTALLATION .....	344
FIGURE 6-12. COVER PANEL INSTALLATION .....	346
FIGURE 6-13. GASKET INSTALLATION .....	348
FIGURE 6-14. FRONT COVER ASSEMBLY .....	350
FIGURE 6-15. HEADLINER INSTALLATION .....	352
FIGURE 6-16. FRONT PANEL INSTALLATION .....	354
FIGURE 6-17. REAR COVER PANEL INSTALLATION .....	356
FIGURE 6-18. REAR WINDOW INSTALLATION .....	358
FIGURE 6-19. REAR WINDOW .....	360
FIGURE 6-20. CAB DOOR INSTALLATION .....	362
FIGURE 6-21. WINDOW ASSEMBLY .....	364
FIGURE 6-22. DOOR ASSEMBLY .....	366
FIGURE 6-23. VINYL SEAT INSTALLATION .....	368
FIGURE 6-24. VINYL SEAT .....	370
FIGURE 6-25. CLOTH SEAT INSTALLATION .....	372
FIGURE 6-26. CLOTH SEAT .....	374
FIGURE 6-27. WIPER TANK INSTALLATION .....	376
FIGURE 6-28. FRONT WIPER INSTALLATION .....	378
FIGURE 6-29. ROOF WIPER INSTALLATION .....	380
FIGURE 6-30. HEATER INSTALLATION .....	382
FIGURE 6-31. CAB HEATER .....	384
FIGURE 6-32. AIR CONDITIONING INSTALLATION .....	386
FIGURE 6-33. HEATER (NO A/C) .....	390
FIGURE 6-34. HEATER (A/C) .....	392
SECTION 7 - CONTROLS .....	395

# TABLE OF CONTENTS

FIGURE 7-1. BRAKE PEDAL INSTALLATION .....	396
FIGURE 7-2. BRAKE PEDAL ASSEMBLY .....	398
FIGURE 7-3. ACCELERATOR PEDAL INSTALLATION.....	400
FIGURE 7-4. ACCELERATOR PEDAL .....	402
FIGURE 7-5. STEER COLUMN INSTALLATION (FNR LEVER) .....	404
FIGURE 7-6. STEERING COLUMN (FNR LEVER) .....	406
FIGURE 7-7. STEERING COLUMN INSTALLATION (NO FNR LEVER).....	408
FIGURE 7-8. STEERING COLUMN ASSEMBLY (NO FNR LEVER).....	410
FIGURE 7-9. STEERING WHEEL.....	412
FIGURE 7-10. MECHANICAL HANDBRAKE INSTALLATION - 3614RS .....	414
FIGURE 7-11. HYDRAULIC HANDBRAKE INSTALLATION - 4017RS .....	416
FIGURE 7-12. JOYSTICK INSTALLATION (FNR LEVER) .....	418
FIGURE 7-13. JOYSTICK INSTALLATION (NO FNR LEVER).....	420
FIGURE 7-14. JOYSTICK INSTALLATION (AUX, FNR LEVER).....	422
FIGURE 7-15. JOYSTICK INSTALLATION (AUX, NO FNR LEVER).....	424
FIGURE 7-16. JOYSTICK (FNR LEVER).....	426
FIGURE 7-17. JOYSTICK (NO FNR LEVER) .....	428
FIGURE 7-18. JOYSTICK (AUX, FNR LEVER) .....	430
FIGURE 7-19. JOYSTICK (AUX, NO FNR LEVER).....	432
SECTION 8 - HYDRAULIC CIRCUITS .....	435
FIGURE 8-1. SUPPLY LINES INSTALLATION - 3614RS.....	436
FIGURE 8-2. SUPPLY LINES INSTALLATION - 4017RS.....	438
FIGURE 8-3. PUMP LINES INSTALLATION - 3614RS (NO AUXILIARY HYDRAULICS).....	440
FIGURE 8-4. PUMP LINES INSTALLATION - 3614RS (AUXILIARY HYDRAULICS) .....	442
FIGURE 8-5. PUMP LINES INSTALLATION - 4017RS (NO AUXILIARY HYDRAULICS).....	444
FIGURE 8-6. PUMP LINES INSTALLATION - 4017RS (AUXILIARY HYDRAULICS) .....	446
FIGURE 8-7. STEERING INSTALLATION - 3614RS.....	448
FIGURE 8-8. STEERING INSTALLATION - 4017RS.....	450
FIGURE 8-9. UPPER BRAKE LINES INSTALLATION - 3614RS .....	452
FIGURE 8-10. UPPER BRAKE LINES INSTALLATION - 4017RS .....	454
FIGURE 8-11. LOWER BRAKE LINES INSTALLATION - 3614RS .....	456
FIGURE 8-12. LOWER BRAKE LINES INSTALLATION - 4017RS .....	458
FIGURE 8-13. IMPLEMENT LINES INSTALLATION - 3614RS (NO AUX HYDRAULICS).....	460
FIGURE 8-14. IMPLEMENT LINES INSTALLATION - 3614RS (AUXILIARY HYDRAULICS).....	462
FIGURE 8-15. IMPLEMENT LINES INSTALLATION - 4017RS (NO AUX HYDRAULICS).....	464
FIGURE 8-16. IMPLEMENT LINES INSTALLATION - 4017RS (AUXILIARY HYDRAULICS).....	466
FIGURE 8-17. LEVELING AND OUTRIGGERS INSTALLATION - 3614RS .....	468
FIGURE 8-18. LEVELING AND OUTRIGGERS INSTALLATION - 4017RS .....	470
FIGURE 8-19. OUTRIGGER LEG ASSEMBLY .....	472
FIGURE 8-20. BREATHER INSTALLATION.....	474
SECTION 9 - HYDRAULIC COMPONENTS .....	477
FIGURE 9-1. LIFT CYLINDER - 3614RS.....	478
FIGURE 9-2. LIFT CYLINDER - 4017RS.....	480
FIGURE 9-3. EXTEND/RETRACT CYLINDER - 3614RS .....	482
FIGURE 9-4. EXTEND/RETRACT CYLINDER - 4017RS .....	484
FIGURE 9-5. TILT CYLINDER .....	486
FIGURE 9-6. COMPENSATION CYLINDER .....	488
FIGURE 9-7. FRAME LEVEL CYLINDER - 3614RS.....	490
FIGURE 9-8. FRAME LEVEL CYLINDER - 4017RS.....	492
FIGURE 9-9. OUTRIGGER CYLINDER.....	494
FIGURE 9-10. MAIN CONTROL VALVE (NO AUXILIARY HYDRAULICS) .....	496
FIGURE 9-11. MAIN CONTROL VALVE (AUXILIARY HYDRAULICS).....	500
FIGURE 9-12. STEERING SELECT VALVE.....	504
FIGURE 9-13. COUNTERBALANCE VALVE.....	506
FIGURE 9-14. OUTRIGGER VALVE .....	508
FIGURE 9-15. GEAR PUMP .....	510
FIGURE 9-16. HYDRAULIC TANK .....	512
FIGURE 9-17. HYDRAULIC PARK BRAKE RELEASE VALVE .....	514
FIGURE 9-18. HYDRAULIC OIL FILTER.....	516
SECTION 10 - ELECTRICAL.....	519
FIGURE 10-1. ENGINE ELECTRICAL INSTALLATION .....	520

# TABLE OF CONTENTS

FIGURE 10-2. 200 AMP RELAY .....	522
FIGURE 10-3. BATTERY INSTALLATION .....	524
FIGURE 10-4. CAB ELECTRICAL INSTALLATION .....	526
FIGURE 10-5. UGM CONTROL .....	528
FIGURE 10-6. PCB ELECTRICAL ASSEMBLY .....	530
FIGURE 10-7. PC BOARD .....	532
FIGURE 10-8. LSI INSTALLATION .....	534
FIGURE 10-9. RADIO INSTALLATION .....	536
FIGURE 10-10. CAB EARTH INSTALLATION .....	538
FIGURE 10-11. HORN INSTALLATION .....	540
FIGURE 10-12. BOOM ANGLE SENSOR INSTALLATION - 3614RS .....	542
FIGURE 10-13. BOOM ANGLE SENSOR INSTALLATION - 4017RS .....	544
FIGURE 10-14. BOOM RETRACT SENSOR INSTALLATION - 3614RS .....	546
FIGURE 10-15. BOOM RETRACT SENSOR INSTALLATION - 4017RS .....	548
FIGURE 10-16. LSI SENSOR INSTALLATION .....	550
FIGURE 10-17. BACK-UP ALARM INSTALLATION .....	552
FIGURE 10-18. CHASSIS HARNESS INSTALLATION - 3614RS .....	554
FIGURE 10-19. CHASSIS HARNESS INSTALLATION - 4017RS .....	556
FIGURE 10-20. DASH ELECTRICAL INSTALLATION .....	558
FIGURE 10-21. CAB WORKLIGHTS INSTALLATION (NO HAC) .....	560
FIGURE 10-22. CAB WORKLIGHTS INSTALLATION (HAC) .....	562
FIGURE 10-23. DRIVING LIGHTS INSTALLATION (GERMANY AND CE) .....	564
FIGURE 10-24. DRIVING LIGHTS INSTALLATION (UK AND IRELAND) .....	566
FIGURE 10-25. BEACON INSTALLATION .....	568
FIGURE 10-26. OUTRIGGERS DEPLOYED INSTALLATION - 4017RS .....	570
FIGURE 10-27. ENGINE HARNESS .....	572
FIGURE 10-28. CHASSIS HARNESS .....	578
FIGURE 10-29. CAB HARNESS .....	584
FIGURE 10-30. CAB POWER HARNESS .....	592
FIGURE 10-31. RADIO HARNESS .....	594
FIGURE 10-32. WORKLIGHTS HARNESS .....	596
FIGURE 10-33. LIGHT EXTENSION HARNESS .....	598
FIGURE 10-34. BEACON HARNESS .....	600
FIGURE 10-35. OUTRIGGERS DEPLOYED CHASSIS HARNESS - 4017RS .....	602
FIGURE 10-36. OUTRIGGERS DEPLOYED CAB HARNESS - 4017RS .....	604
FIGURE 10-37. ROOF WIPER HARNESS .....	606
FIGURE 10-38. HAC CAB HARNESS .....	608
FIGURE 10-39. HAC CHASSIS HARNESS .....	610
SECTION 11 - DECALS .....	613
FIGURE 11-1. DECAL LOCATION INSTALLATION (ULS) .....	614
FIGURE 11-2. DECAL LOCATION INSTALLATION (LS) .....	616
FIGURE 11-3. JOYSTICK DECAL INSTALLATION, BUCKET .....	618
FIGURE 11-4. JOYSTICK DECAL INSTALLATION, FORK .....	620
FIGURE 11-5. BOOM DECAL INSTALLATION .....	622
FIGURE 11-6. DECAL INSTALLATION, RUSSIA .....	624
FIGURE 11-7. SOUND PLATE INSTALLATION .....	626
FIGURE 11-8. LOAD CHART, 3614RS .....	628
FIGURE 11-9. LOAD CHART, 4017RS .....	630
FIGURE 11-10. REFLECTOR INSTALLATION .....	632
FIGURE 11-11. 25KPH SPEED DECAL INSTALLATION .....	634
FIGURE 11-12. JLG DECAL INSTALLATION, 3614RS .....	636
FIGURE 11-13. JLG DECAL INSTALLATION, 4017RS .....	638
FIGURE 11-14. CONSTRUCTION INSTALLATION (UK/IRELAND) .....	640
FIGURE 11-15. CONSTRUCTION INSTALLATION (CE) .....	642
FIGURE 11-16. CONSTRUCTION INSTALLATION (FRANCE) .....	644
SECTION 12 - RECOMMENDED SPARE PARTS .....	647
FIGURE 12-1. RECOMMENDED SPARE PARTS .....	648
PART NUMBER INDEX .....	651

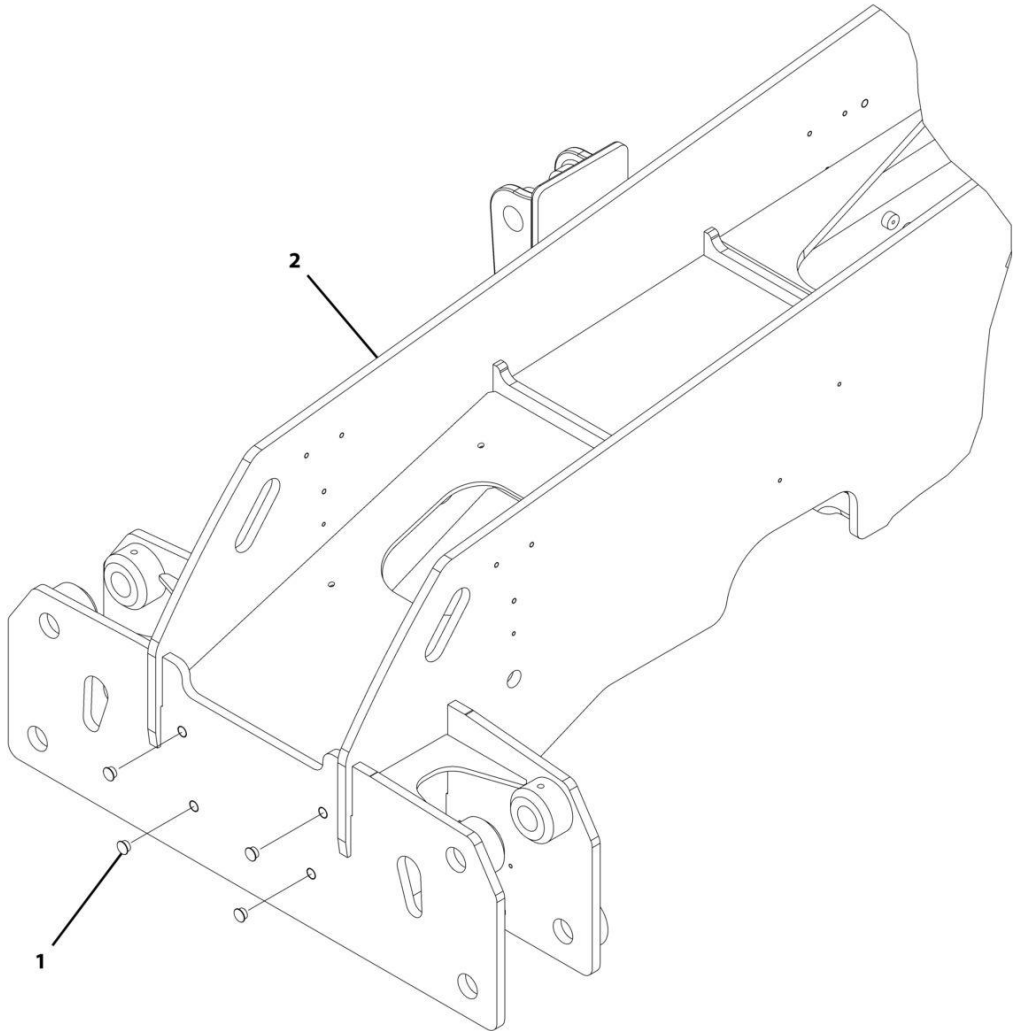


## **SECTION 1 - FRAME & ATTACHING PARTS**

## **SECTION 1 - FRAME & ATTACHING PARTS**

**SECTION 1 - FRAME & ATTACHING PARTS**

**FIGURE 1-1. FRAME INSTALLATION - 3614RS**



ART\_1001146014

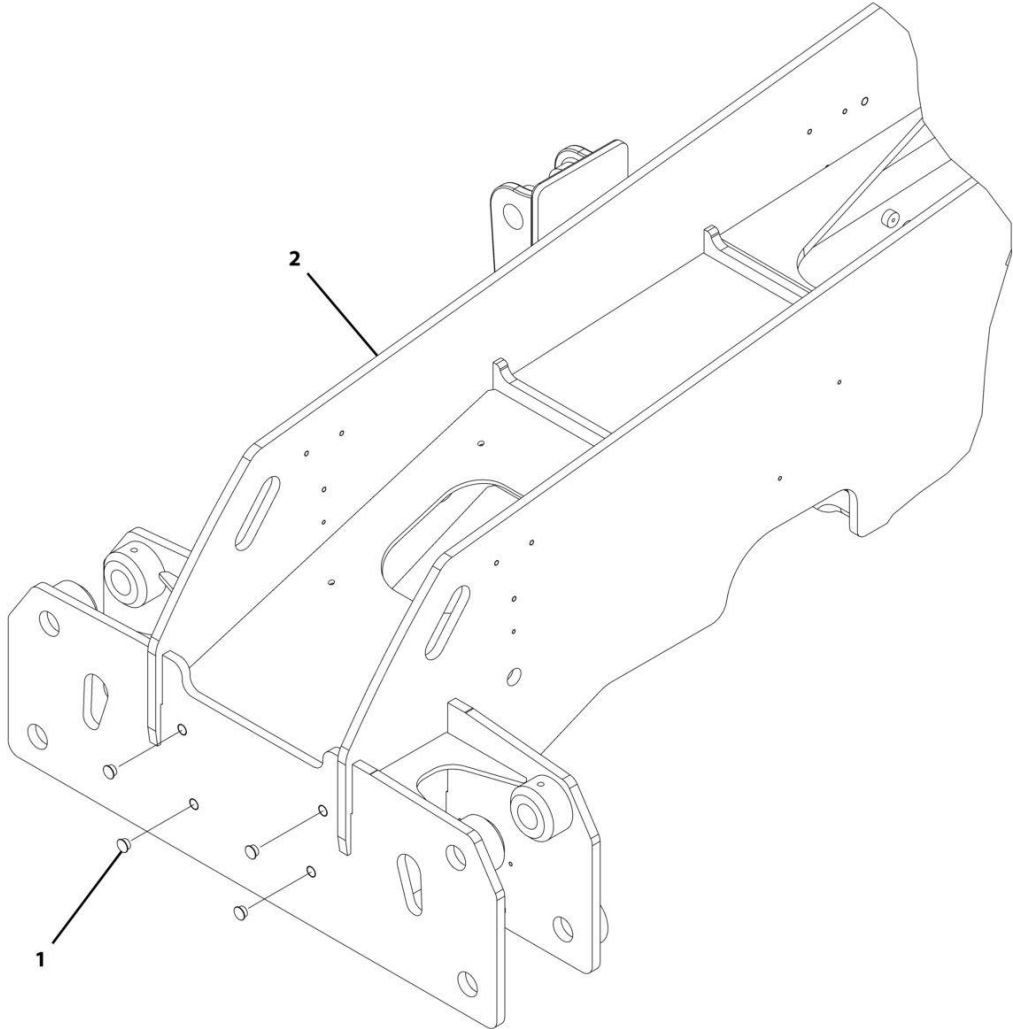
# SECTION 1 - FRAME & ATTACHING PARTS

## FIGURE 1-1. FRAME INSTALLATION - 3614RS

ITEM	PART NUMBER	QTY	DESCRIPTION	REV
1	1001146014 1001091126	Ref 4	Frame Installation - 3614RS Plug	A
2	N.S.S.	1	Weldment, Frame	

**SECTION 1 - FRAME & ATTACHING PARTS**

**FIGURE 1-2. FRAME INSTALLATION - 4017RS**



ART\_1001146017



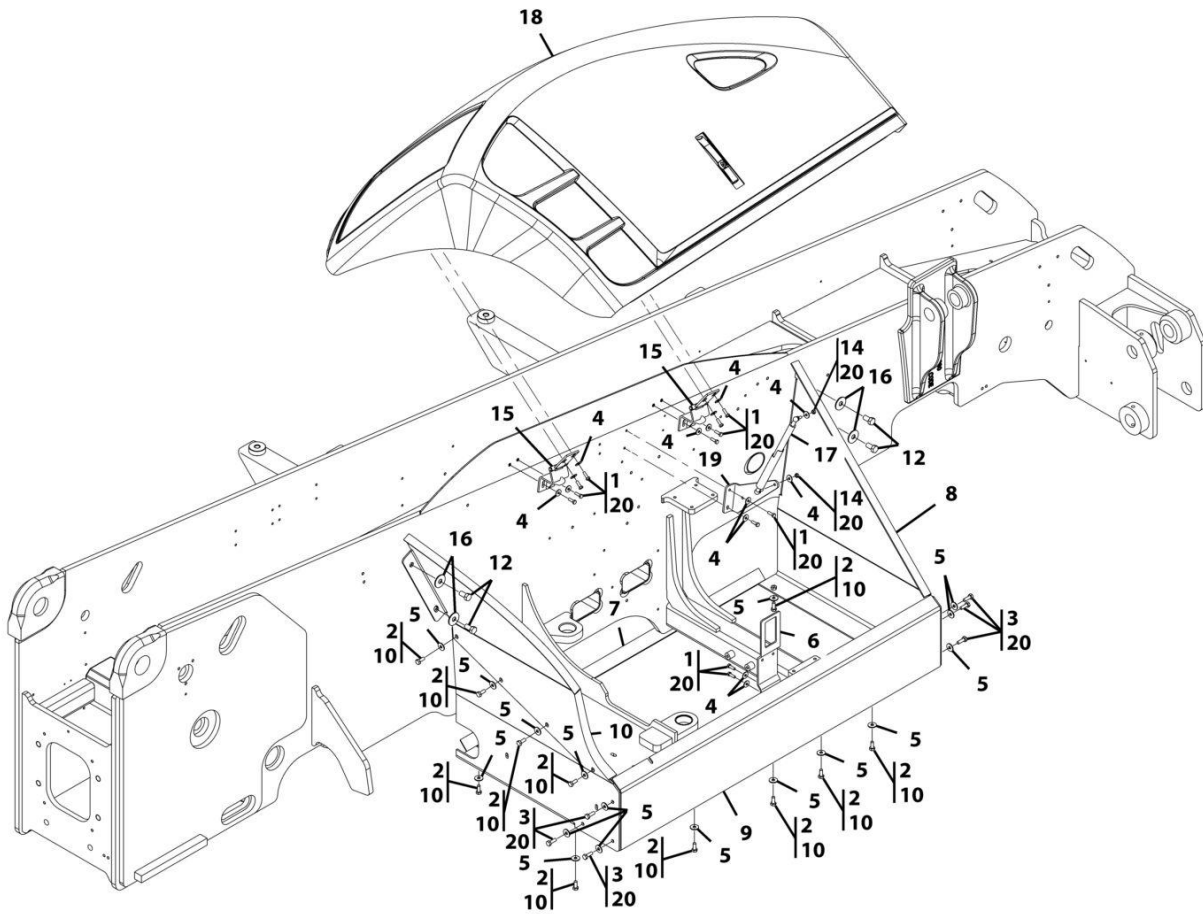
# SECTION 1 - FRAME & ATTACHING PARTS

## FIGURE 1-2. FRAME INSTALLATION - 4017RS

ITEM	PART NUMBER	QTY	DESCRIPTION	REV
1	1001146017 1001091126	Ref 4	Frame Installation - 4017RS Plug	A
2	N.S.S.	1	Weldment, Frame	

# SECTION 1 - FRAME & ATTACHING PARTS

## FIGURE 1-3. ENCLOSURE GROUP INSTALLATION



ART\_1001145381-C

## SECTION 1 - FRAME & ATTACHING PARTS

**FIGURE 1-3. ENCLOSURE GROUP INSTALLATION**

ITEM	PART NUMBER	QTY	DESCRIPTION	REV
	1001145381	Ref	Enclosure Group Installation	C
1	0760812	12	Bolt, M8X25	
2	0761012	11	Bolt, M10X25	
3	0761014	6	Bolt, M10X30	
4	4811902	14	Washer, M8	
5	4812002	17	Washer, M10	
6	1001154688	1	Plate, Latch	
7	1001145307	1	Plate, Belly Pan	
8	1001145312	1	Panel, Front	
9	1001145313	1	Panel, Side	
10	1001149046	1	Panel, Rear	
12	0761614	4	Bolt, M16X30	
14	3290801	2	Nut, M8X1.25	
15	4806433	2	Hinge, Hood	
16	1001092256	4	Washer, M17	
17	1001112426	1	Spring, Hood	
18	1001150144	1	Assembly, Hood (See Hood Assembly for Details)	
19	1001150624	1	Bracket, Hood	
20	1001095650	AR	Compound, Locking	

**SECTION 1 - FRAME & ATTACHING PARTS**

**FIGURE 1-4. MIRROR INSTALLATION - 3614RS**

