



Illustrated Parts Manual

***Models
266, 307,
266 LoPro,
Agrovector
26.6, 30.7,
26.6 LP***

3126025

*Revised
April 3, 2014*



EFFECTIVITY PAGE

January 14, 2005 - A - Original Issue Of Manual

April 8, 2005 - B - Revised Manual

November 23, 2005 - C - Revised Manual and added 266 LoPro

January 2, 2007 - D - Revised Manual

January 2, 2008 - E - Revised Manual

May 29, 2009 - F - Revised Manual

October 8, 2009 - G - Revised Manual

September 29, 2010 - H - Revised Manual; added models 26.6, 30.7 & 26.6 LP

April 3, 2014 - I - Revised Manual

EFFECTIVITY PAGE

TABLE OF CONTENTS

FIGURE NO.	TITLE	PAGE NO.
SECTION 1 –		
FRAME & ATTACHING PARTS		1-1
1-1	Frame Shrouding & Trim, Covers	1-2
1-2	Frame Shrouding & Trim, Cab & Mirrors	1-10
1-3	Axle & Fender Installation	1-12
SECTION 2 –		
BOOM		2-1
2-1	First Boom Section	2-2
2-2	Second Boom Section	2-6
2-3	Quick Switch Assembly	2-10
2-4	Hydraulic Quick Switch Assembly	2-12
2-5	JD Quick Attach	2-14
SECTION 3 –		
ATTACHMENTS		3-1
3-1	Carriage Assembly	3-2
3-2	Buckets	3-4
3-3	Multi-Purpose Buckets	3-6
3-4	Fork Mounted Hook	3-8
3-5	Truss Boom	3-10
3-6	Manure Bucket	3-12
3-7	Fork	3-14
3-8	Side Shift Carriage	3-16
3-9	Bale Handler	3-18
3-10	Round Tine Fork	3-20
3-11	Concrete Bucket	3-22
SECTION 4 –		
ENGINE & ATTACHING PARTS		4-1
4-1	Engine Assembly	4-2
4-2	Deutz Engine	4-6
4-3	Fuel Tank & Lines	4-8
4-4	Radiator Assembly	4-10
4-5	Air Cleaner Installation	4-12
4-6	Exhaust Installation	4-14
SECTION 5 –		
DRIVE TRAIN		5-1
5-1	Front Axle	5-2
5-2	Front Axle - Housing	5-4
5-3	Front Axle - Housing and Steering Cylinder	5-8
5-4	Front Axle - Bevel Gear Set	5-12
5-5	Front Axle - Differential	5-14

TABLE OF CONTENTS

FIGURE NO.	TITLE	PAGE NO.
5-6	Front Axle - Double U-Joint	5-16
5-7	Front Axle - Brakes	5-20
5-8	Front Axle - Wheel Hub and Final Reduction	5-24
5-9	Front Axle - Transmission Housing	5-28
5-10	Front Axle - Lower and Upper Shaft	5-30
5-11	Rear Axle	5-34
5-12	Rear Axle - Housing	5-36
5-13	Rear Axle - Swivel Housing and Steering Cylinder	5-38
5-14	Rear Axle - Bevel Gear Set	5-42
5-15	Rear Axle - Differential	5-44
5-16	Rear Axle - Double U-Joint	5-48
5-17	Rear Axle - Wheel Hub and Final Reduction	5-52
5-18	Drive Shaft	5-56
5-19	Tires & Rims	5-58
SECTION 6 –		
CAB		6-1
6-1	Cab Assembly	6-2
6-2	Cab Interior Assembly	6-6
6-3	Seat Assembly	6-8
6-4	Cab Windows	6-10
6-5	Cab Door Assembly	6-12
6-6	Wiper Assembly	6-14
6-7	Air Circulation Installation	6-16
SECTION 7 –		
CONTROLS		7-1
7-1	Boom Joystick	7-2
7-2	Steering Column & Attaching Parts	7-4
7-3	Accelerator Pedal Assembly	7-6
7-4	Brake Pedal Assembly	7-8
SECTION 8 –		
HYDRAULIC CIRCUITS		8-1
8-1	Supply Circuit	8-2
8-2	Dump Circuit	8-6
8-3	Front Drive Circuit	8-10
8-4	Steer Select	8-14
8-5	Service/Park Brake	8-16
8-6	Lift Cylinder	8-18
8-7	Crowd Cylinder	8-20
8-8	Tilt & Tilt Compensating Cylinder	8-24
8-9	Auxiliary Function	8-28
8-10	Rear Hydraulic Outlet	8-32

TABLE OF CONTENTS

FIGURE NO.	TITLE	PAGE NO.
SECTION 9 –		
HYDRAULIC COMPONENTS		9-1
9-1	Lift Cylinder	9-2
9-2	Crowd Cylinder	9-6
9-3	Tilt Cylinder	9-10
9-4	Compensating Cylinder	9-14
9-5	Fork Locking Cylinder	9-18
9-6	Main Control Valve	9-20
9-7	Front Drive Motor	9-24
9-8	Hydrostatic Transmission Pump	9-28
9-9	Hydraulic Tank Assembly	9-30
9-10	Implement Pump	9-32
9-11	Auxiliary Diverter Valve	9-34
 SECTION 10 –		
ELECTRICAL		10-1
10-1	Electrical Installation	10-2
10-2	Engine Harness	10-6
10-3	Rear Chassis Harness	10-10
10-4	Front Chassis Harness	10-14
10-5	PWM Valve Controller Assembly	10-16
10-6	Roof Harness	10-18
10-7	Main Harness	10-20
10-8	Ground Harness	10-28
10-9	Bucket Shake Switch	10-30
10-10	LMIS Installation	10-32
10-11	LMIS Audible Tower/Beacon Installation	10-36
10-12	LSI Switch	10-38
 SECTION 11 –		
DECALS		11-1
11-1	Frame & Boom Decals	11-2
11-2	Cab Decals	11-6
11-3	Machine Decals, 266 & 266 LoPro	11-10
11-4	Machine Decals, 307	11-12
11-5	Machine Decals, 26.6 & 26.6 LP	11-14
11-6	Machine Decals, 30.7	11-16
 SECTION 12 –		
OPTIONS		12-1
12-1	Hitch Kit Assembly	12-2
12-2	Automatic Hitch Assembly	12-4
12-3	Hydraulic Hitch Installation	12-6
12-4	Front Cab Glass Shield	12-10

TABLE OF CONTENTS

FIGURE NO.	TITLE	PAGE NO.
12-5	Cab Worklight Installations	12-12
12-6	Boom Worklight Installation	12-14
12-7	Rotating Beacon Installation	12-16
12-8	Air Conditioner Installation	12-18
12-9	Wheel Chock Installation	12-24
12-10	Draw Bar Coupling Installation	12-26
12-11	Dual Boom Aux Hydraulic, Manual	12-28
12-12	Dual Boom Aux Hydraulic, Electrical	12-30
12-13	6 Ton Hitch Installation	12-32
12-14	14 Ton Hitch Installation	12-34
12-15	Speedometer Installation	12-36
12-16	Sun Screen Installation	12-38
12-17	Ground Wire Installation	12-40
12-18	Dump Valve Installation	12-42
12-19	Boom Auxiliary Electric	12-44
12-20	Hydraulic Trailer Brakes	12-46
12-21	Option Harness	12-52
SECTION 13 –		
	RECOMMENDED SPARE PARTS	13-1
SECTION 14 – PART NUMBER INDEX		14-1

SERVICE KITS

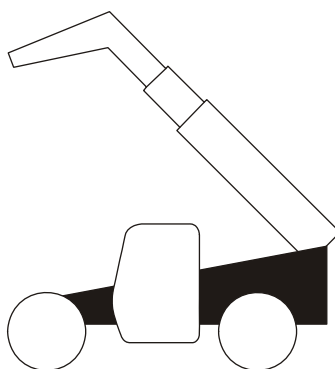
Section	Page No.	Part No.	Description
5	5-9	70022378	Steering Cylinder Seal Kit, 266/266 LoPro
5	5-11	70022378	Steering Cylinder Seal Kit, 307
5	5-15	7028405	Differential Gear Kit, 266/266 LoPro
5	5-15	7028405	Differential Gear Kit, 307
5	5-39	7028391	Steering Cylinder Seal Kit, 266/266 LoPro
5	5-41	7028391	Steering Cylinder Seal Kit, 307
5	5-45	7028480	Differential Gear Kit, 266/266 LoPro
5	5-47	8034679	Differential Gear Kit, 307
5	5-57	7028929	Universal Joint Kit
9	9-3	7029240	Lift Cylinder Seal Kit, 266/266 LoPro
9	9-5	7028318	Lift Cylinder Seal Kit, 307
9	9-7	7028328	Crowd Cylinder Seal Kit, 266/266 LoPro
9	9-9	7028328	Crowd Cylinder Seal Kit, 307
9	9-11	7028352	Tilt Cylinder Seal Kit, 266/266 LoPro
9	9-13	7028318	Tilt Cylinder Seal Kit, 307
9	9-15	7028352	Compensating Cylinder Seal Kit, 266/266 LoPro
9	9-17	7028318	Compensating Cylinder Seal Kit, 307
9	9-25	7028803	Front Drive Motor Seal Kit, 266/266 LoPro
9	9-27	7028820	Front Drive Motor Seal Kit, 307

SERVICE KITS

Section	Page No.	Part No.	Description
----------------	-----------------	-----------------	--------------------

SECTION 1

FRAME & ATTACHING PARTS





FRAME & ATTACHING PARTS

Before S/N 1160005247

Figure 1-1 Frame Shrouding & Trim, Covers

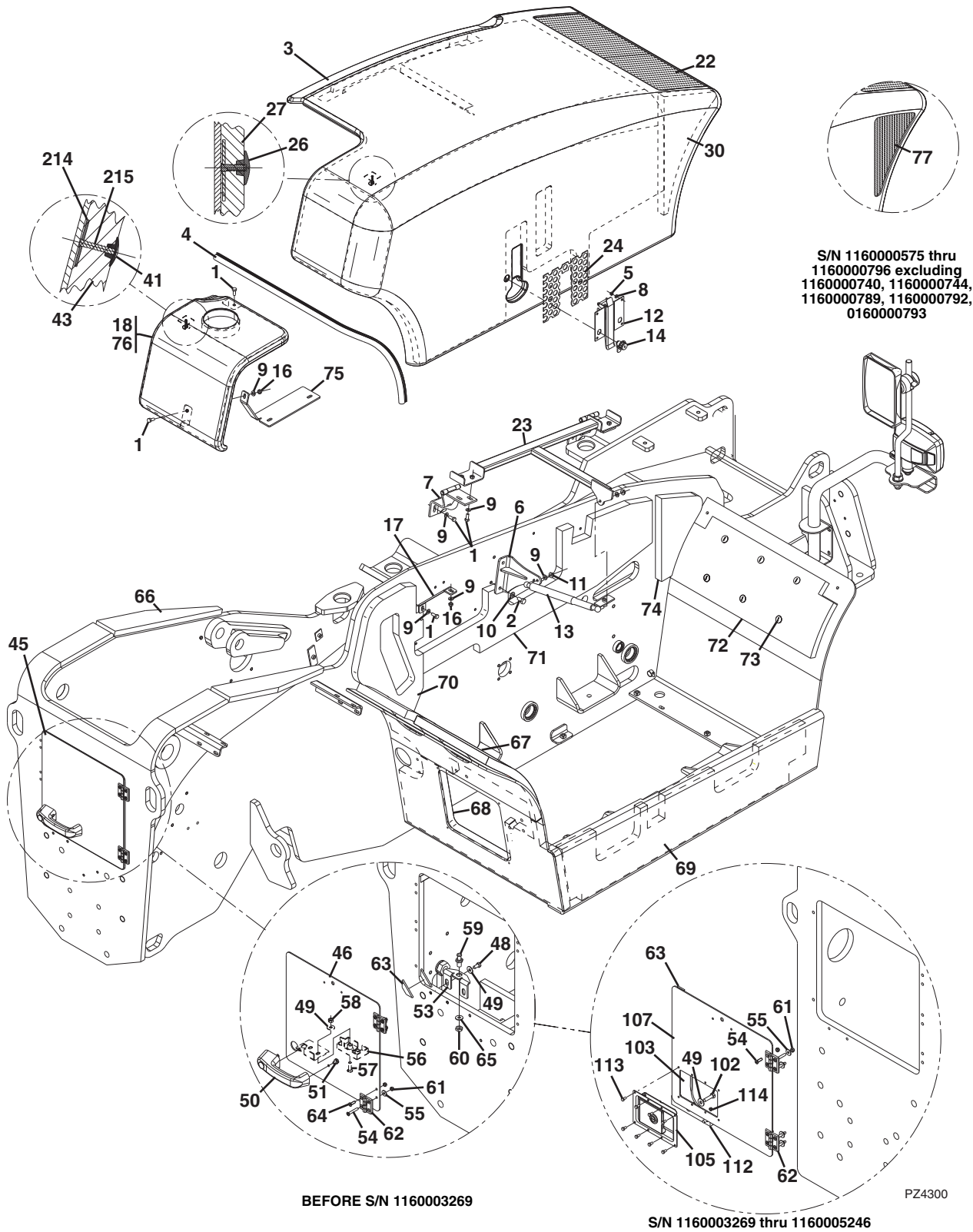




Figure 1-1 Frame Shrouding & Trim, Covers

Item	Part Number	Qty.	Description	Rev.
		Ref	ENGINE HOOD INSTALLATION, (not available to order, see items 1 thru 18 for service), (Before S/N 1160005247)	G
1	0760810	11	HEX HD CAPSCREW, M8X1.25X20, GR 8.8	
2	0761010	2	HEX HD CAPSCREW, M10X1.50X20, GR 8.8	
3		1	HOOD ASSY, (includes items 22 thru 30), (no longer available, order 1001096887 for models 266, 307, 266 LoPro or 1001096879 for models 26.6, 30.7, 26.6 LP), (Before S/N 1160005247)	K
4	2014226	6.4m	RUBBER SEAL	
5	3290605	3	HEX LOCK NUT, M6X1	
6	0903274	1	BRACKET	
7	4806433	2	HOOD HINGE	
8	4811700	3	FLAT WASHER, 6mm	
9	4811900	11	FLAT WASHER, 8mm	
10	4812000	2	FLAT WASHER, 10mm	
11	5220800	1	RIPP NUT, 8mm	
12	8000382	1	HOOD LATCH	
13	4160213	1	GAS SPRING	
14	8000801	1	HOOD LOCK	
16	3290805	2	HEX LOCK NUT, M8X1.25	
17	3575643	1	SUPPORT PLATE	
18	1671221	1	FIXED HOOD ASSY, (266, 307, 266 LoPro) , (includes items 41, 43, 76, 214 & 215)	A
	1671221G	1	FIXED HOOD ASSY, (26.6, 30.7, 26.6 LP) , (includes items 41, 43, 76, 214 & 215)	A
22	2520136	1	GRILL	
23	4340868	1	HOOD SUPPORT	
24	4806444	1	PLATE	
26	1321291	25	CAP	
27	2820220	1	ENGINE HOOD INSULATION	
30	2820230	1	RH SIDE INSULATION, HOOD	
41	1321291	7	CAP	
43	2820221	1	FIXED HOOD INSULATION	
45	8002263	1	REAR DOOR ASSY, (Before S/N 1160003269) , (includes items 46 thru 65)	H
	0275785	1	REAR DOOR ASSY, (S/N 1160003269 thru 1160005246) , (includes items 49 qty. 2, 54, 55 61 thru 64, 101 thru 114)	B
46	8004853	1	REAR DOOR, (266, 307, 266 LoPro)	
	8004853B	1	REAR DOOR, (26.6, 30.7, 26.6 LP)	
48	0760808	2	HEX HD CAPSCREW, 8-1.25x16mm, GR8.8	
49	5211902	4	RIPP WASHER, 8mm	
50	8006491	1	PUSH BUTTON HANDLE	
51	5200605	2	RIPP BOLT, 6-36X10mm	
53	8007430	1	HOLDER	
54	8006242	4	SCREW, M6X40mm	
55	5211702	4	RIPP WASHER, 6mm	
56	8004882	1	ROTARY LATCH, LOCK	
57	1398385	2	SCREW, M6X40mm	
58	3290801	2	HEX NUT, 8mmX1.25	
59	8003293	1	PIN	
60	3300497	1	HEX NUT, M12-1	
61	3290605	8	HEX LOCKNUT, 6mmX1.00	



FRAME & ATTACHING PARTS

Figure 1-1 Frame Shrouding & Trim, Covers (Continued)

Item	Part Number	Qty.	Description	Rev.
62	8006105	2	HINGE	
63	909304	.12m	RUBBER TRIM, 18X5mm	
64	0630576	4	FLAT HD CAPSCREW, M6X20mm	
65	4812100	1	FLAT WASHER, 12mm	
66	2360662	1	FRAME, (266)	
	2360662B	1	FRAME, (26.6)	
	2360663	1	FRAME, (307)	
	2360663B	1	FRAME, (30.7)	
	2360729	1	FRAME, (266 LoPro), (Before S/N 1160002183)	
	2360729B	1	FRAME, (26.6 LP), (Before S/N 1160002183)	
	2360778	1	FRAME, (266 LoPro), (S/N 1160002183 & After)	
	2360778B	1	FRAME, (26.6 LP), (S/N 1160002183 & After)	
67	2820204	1	REAR UPPER SOUND INSULATION	
68	2820205	1	REAR LOWER SOUND INSULATION	
69	2820208	1	RIGHT SIDE SOUND INSULATION	
70	2820213	1	LEFT SIDE SOUND INSULATION	
71	2820214	1	FRONT LEFT SOUND INSULATION	
72	2820229	1	RADIATOR SOUND INSULATION	
73	1321291	6	CAP	
74	2820231	1	SOUND INSULATION	
75	3575641	1	PANEL SUPPORT	
76	1671177	1	HOOD PANEL, (266, 307, 266 LoPro)	
	1671177G	1	HOOD PANEL, (26.6, 30.7, 26.6 LP)	
77	2520138	1	GRILL, (S/N 1160000575 thru 1160000796 excluding 1160000740, 1160000744, 1160000789, 1160000792 & 0160000793)	
102	0760814	2	HEX HD CAPSCREW, M8X30	
103	1001093372	1	LATCH BRACKET	
105	1001093383	1	LATCH	
107	3380756	1	REAR DOOR	
112	1001093373	1	LATCH SPACER	
113	0760505	8	HEX HD CAPSCREW, M5X10	
114	3290505	8	HEX LOCKNUT, M5X0.8	
214	3575922	7	MOUNTING STUD PLATES	
215	4300159	7	MOUNTING STUDS	

NOTE: ITEM NUMBERS NOT LISTED ARE NOT USED ON THIS FIGURE

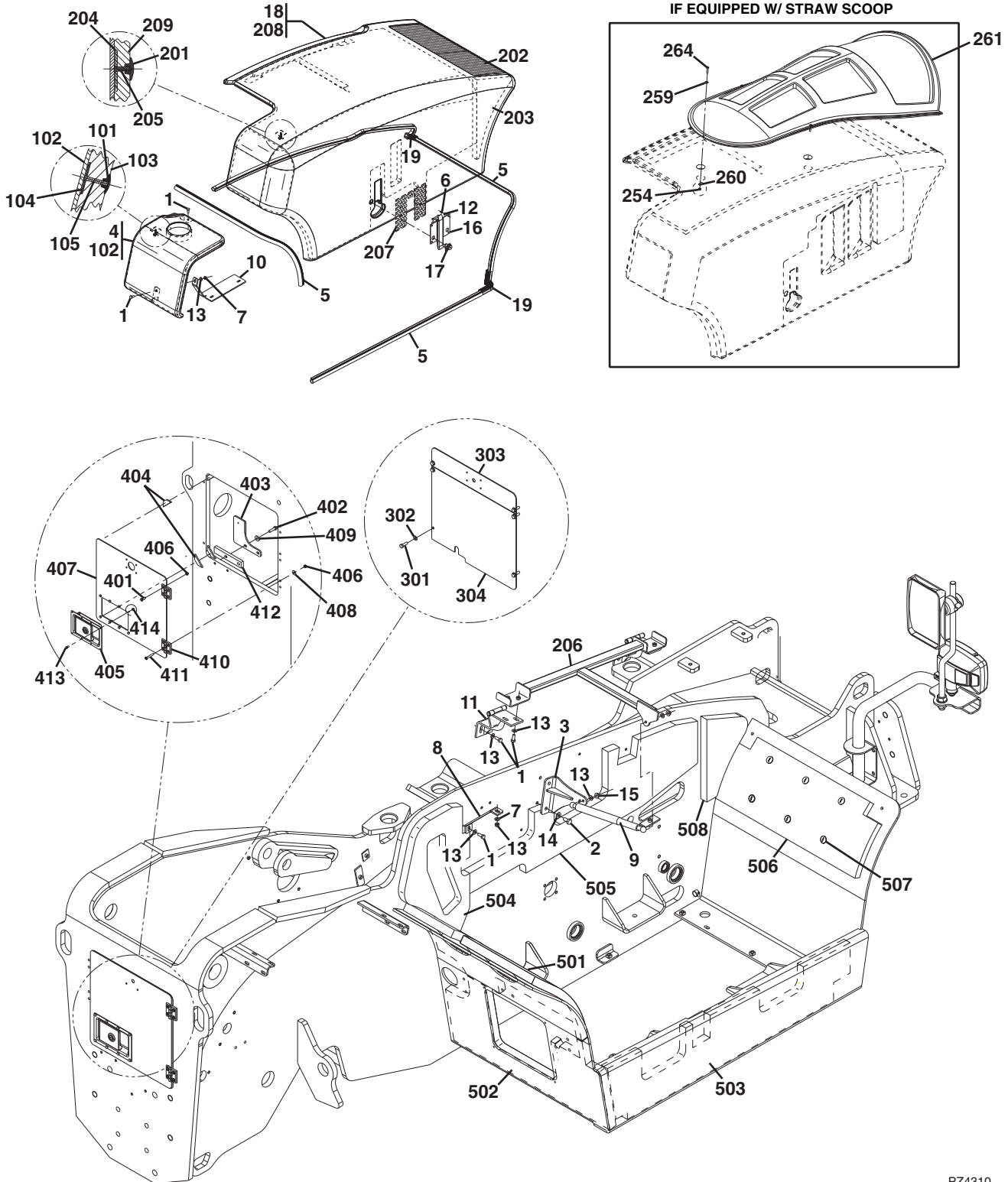
Figure 1-1 Frame Shrouding & Trim, Covers (Continued)

Item	Part Number	Qty.	Description	Rev.



FRAME & ATTACHING PARTS

Figure 1-1 Frame Shrouding & Trim, Covers



PZ4310



Figure 1-1 Frame Shrouding & Trim, Covers

Item	Part Number	Qty.	Description	Rev.
	1001096890	Ref	ENGINE HOOD INSTALLATION, (266, 307, 266 LoPro if equipped) , (not available to order, see items 1 thru 19 for service), (S/N 1160005247 & After)	B
	1001096888	Ref	ENGINE HOOD INSTALLATION, (26.6, 30.7, 26.6 LP if equipped) , (not available to order, see items 1 thru 19 for service), (S/N 1160005247 & After)	B
	1001096891	Ref	ENGINE HOOD INSTALLATION W/ STRAW SCOOP, (266, 307, 266 LoPro if equipped) , (not available to order, see items 1 thru 19 for service)	B
	1001096889	Ref	ENGINE HOOD INSTALLATION W/ STRAW SCOOP, (26.6, 30.7, 26.6 LP if equipped) , (not available to order, see items 1 thru 19 for service)	B
1	0760810	11	HEX HD CAPSCREW, M8X1.25X20, GR8.8	
2	0761010	2	HEX HD CAPSCREW, M10X1.50X20, GR8.8	
3	0903274	1	BRACKET	
4	1671221	1	FIXED HOOD ASSY, (266, 307, 266 LoPro) , (includes items 101 thru 105)	A
	1671221G	1	FIXED HOOD ASSY, (26.6, 30.7, 26.6 LP) , (includes items 101 thru 105)	A
5	2014226	6.4m	RUBBER SEAL	
6	3290605	3	HEX LOCK NUT, M6X1	
7	3290805	2	HEX LOCK NUT, M8X1.25	
8	3575643	1	SUPPORT PLATE	
9	4160213	1	GAS SPRING	
10		Ref	SUPPORT BRACKET, (see Figure 4-5 for details)	
11	4806433	2	HOOD HINGE	
12	4811700	3	WASHER, 6mm	
13	4811900	11	WASHER, 8mm	
14	4812000	2	WASHER, 10mm	
15	5220800	2	RIPP NUT, 8mm	
16	8000382	1	HOOD LATCH	
17	8000801	1	HOOD LOCK	
18	1001096887	1	HOOD ASSY, (S/N 1160005247 & After) , (266, 307, 266 LoPro if equipped) , (includes items 201 thru 209)	A
	1001096879	1	HOOD ASSY, (S/N 1160005247 & After) , (26.6, 30.7, 26.6 LP if equipped) , (includes items 201 thru 209)	A
	1001096884	1	HOOD ASSY W/ SCOOP, (266, 307, 266 LoPro if equipped) , (includes items 201 thru 209 & 254 thru 264)	A
	1001096885	1	HOOD ASSY W/ SCOOP, (26.6, 30.7, 26.6 LP if equipped) , (includes items 201 thru 209 & 254 thru 264)	A
19		Ref	HOOD CORNER SEALS INSTALLATION	
	1001103369	.255m	RUBBER SEAL	
101	1321291	7	CAP	
102	1671177	1	HOOD PANEL	
103	2820221	1	FIXED HOOD INSULATION	
104	3575922	7	MOUNTING STUD PLATES	
105	4300159	7	MOUNTING STUDS	
201	1321291	22	CAP	
202	2520136	1	GRILL	
203	2820230	1	RH SIDE INSULATION, HOOD	
204	3575922	22	MOUNTING STUD PLATES	
205	4300161	22	MOUNTING STUDS	
206	4340868	1	HOOD SUPPORT	
207	4806444	1	PLATE	
208	1001093852	1	ENGINE HOOD, (266, 307, 266 LoPro)	
	1001096893	1	ENGINE HOOD, (26.6, 30.7, 26.6 LP)	



FRAME & ATTACHING PARTS

Figure 1-1 Frame Shrouding & Trim, Covers

Item	Part Number	Qty.	Description	Rev.
209	1001096896	1	SOUND INSULATION	
254	3290601	5	HEX NUT, M6X1	
259	4811702	5	WASHER, 6mm	
260	4831700	5	LOCKWASHER, 6mm	
261	1001091976	1	AIR INTAKE COVER, (266, 307, 266 LoPro)	
	1001091976G	1	AIR INTAKE COVER, (26.6, 30.7, 26.6 LP)	
	1001103103	3.5m	FOAM SEAL	
264	1001097202	5	BUTTON HD BOLT, M6X30	
	1001102763	Ref	REAR ACCESS PANEL INSTALLATION, (if equipped), (includes items 301 thru 304 for service)	A
301	0700812	6	HEX HD CAPSCREW, M8X25, GR8.8	
302	4811900	6	WASHER, 8mm	
303	1001102756	1	PLATE	
304	1001102757	1	PLATE	
	0275785	Ref	REAR ACCESS PANEL INSTALLATION, (if equipped), (not available to order, see items 401 thru 414 for service)	B
401	0630576	1	SCREW, M6X20	
402	0760814	2	HEX HD CAPSCREW, M8X30, GR8.8	
403	1001093372	1	LATCH BRACKET	
404	909304	.12m	RUBBER TRIM, 18X5mm	
405	1001093383	1	LATCH	
406	3290605	8	HEX LOCKNUT, M6X1	
407	3380756	1	REAR DOOR	
408	5211702	4	RIPP WASHER, 6mm	
409	5211902	2	RIPP WASHER, 8mm	
410	8006105	2	HINGE	
411	8006242	4	SCREW, M6X40	
412	1001093373	1	LATCH SPACER	
413	0760505	8	HEX HD CAPSCREW, M5X10, GR8.8	
414	3290505	8	HEX LOCKNUT, M5X0.8	
501	2820204	1	REAR UPPER SOUND INSULATION	
502	2820205	1	REAR LOWER SOUND INSULATION	
503	2820208	1	RIGHT SIDE SOUND INSULATION	
504	2820213	1	LEFT SIDE SOUND INSULATION	
505	2820214	1	FRONT LEFT SOUND INSULATION	
506	2820229	1	RADIATOR SOUND INSULATION	
507	1321291	6	CAP	
508	2820231	1	SOUND INSULATION	
NOTE: ITEM NUMBERS NOT LISTED ARE NOT USED ON THIS FIGURE				



Figure 1-1 Frame Shrouding & Trim, Covers

Item	Part Number	Qty.	Description	Rev.



FRAME & ATTACHING PARTS

Figure 1-2 Frame Shrouding & Trim, Cab & Mirrors

