

### VIN PLATE DECODING INFORMATION

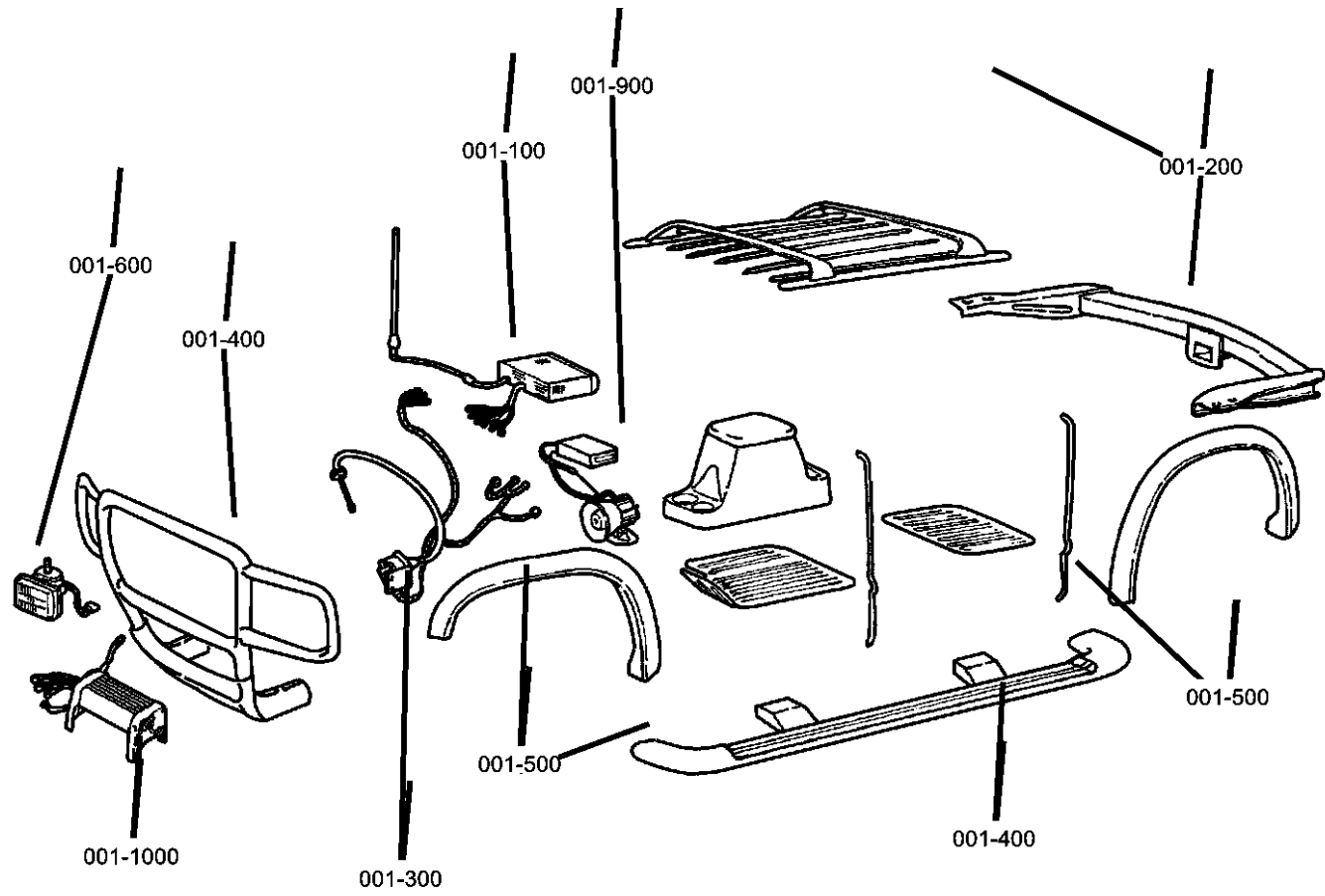
1	2	3	4	5	6	7	8	9	10	11	12 thru 17
<b>Country</b>	<b>Make</b>	<b>Vehicle Type</b>	<b>Other</b>	<b>Line</b>	<b>Series</b>	<b>Body Style</b>	<b>Engine</b>	<b>Check Digit</b>	<b>Model Year</b>	<b>Assy. Plant</b>	<b>Sequence No.</b>

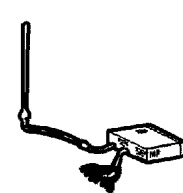
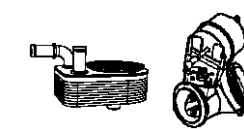

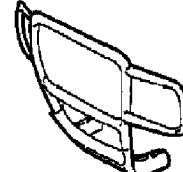

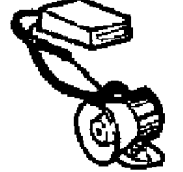
The following table interprets the VIN Plate position shown above.

Position	Interpretation	Codes = Description
1	Country of Origin	1 = Manufactured By DaimlerChrysler Corporation
2	Assembler	J = Jeep
3	Vehicle Type	7 = Truck Less Sales Code "CGS" Side Air Bags
4	GVWR & Pass. Safety	D = 1-3000 GVWR & Hyd. Brakes E = 3001-4000 GVWR & Hyd. Brakes F = 4001-5000 GVWR & Hyd. Brakes G = 5001-6000 GVWR & Hyd. Brakes
5	Vehicle Line	T = Compass / Patriot Left Hand Drive (FWD) F = Compass / Patriot Left Hand Drive (4x4) 7 = Compass / Patriot Right Hand Drive (4x4)
6	Series	2 = Patroit -74 4 = Patroit Limited -74 4 = Compass-49 5 = Compass Limited-49
7	Body Style	8 = Sport Utility 4 Door
8	Engine	K = 2.4L I4 CYL DOHC 16 Valve Dual VVT Gasoline (ED3)
9	Check Digit	0 = Check Digit
10	Model Year	6 = 2006
11	Assembly Plant	D = Belvidere
12 thru 17	Vehicle Build Sequence	Model Year Assembly Sequence

# Group - 1

## Component Parts for Mopar Accessories



<p><b>001-100</b> Audio &amp; Electronics</p> 	<p><b>001-1100</b> Powertrain</p> 	<p><b>001-200</b> Carriers &amp; Cargo Hauling</p> 	<p><b>001-300</b> Driving Convenience</p> 
<p><b>001-400</b> Exterior Appearance</p> 	<p><b>001-600</b> Fog Lights &amp; Electrical</p> 	<p><b>001-900</b> Security</p> 	

---

## Group - 1 Component Parts for Mopar Accessories

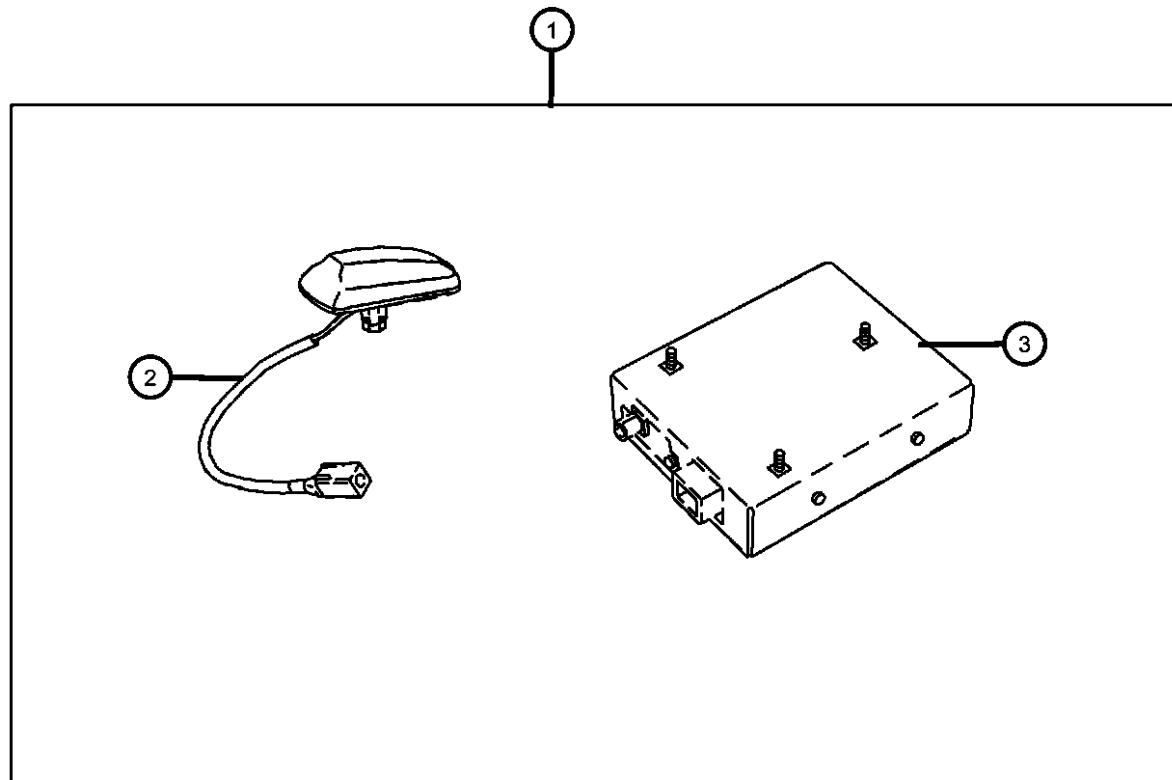
Illustration Title	Group-Fig. No.
<b>Audio &amp; Electronics</b>	
Satellite Receiver GEN 2.5 .....	Fig. 1 - 105
Install Kit - Satellite Radio .....	Fig. 1 - 107
Video Entertainment System-Compass .....	Fig. 1 - 110
Video Entertainment System-Patriot .....	Fig. 1 - 115
Navigation Kit [REC] .....	Fig. 1 - 120
Navigation Kit - Stand Alone .....	Fig. 1 - 125
Module Kit-iPod Adapter.....	Fig. 1 - 130
FMiPod Adapter .....	Fig. 1 - 135
<b>Carriers &amp; Cargo Hauling</b>	
Bike Carrier - Roof - Upright Mount.....	Fig. 1 - 205
Bike Carrier -Hitch Mount.....	Fig. 1 - 210
Bike Carrier-Roof-Fork Mount.....	Fig. 1 - 215
Luggage Carrier-Roof-Vinyl .....	Fig. 1 - 220
Ski Carrier-Roof Mount .....	Fig. 1 - 225
Ski Carrier-Ski or Snowboard .....	Fig. 1 - 230
Carrier Kit - Canoe .....	Fig. 1 - 235
Carrier Kit-Water Sports .....	Fig. 1 - 240
<b>Driving Convenience</b>	
Speed Control Kit-Patriot .....	Fig. 1 - 305
Speed Control Kit-Compass.....	Fig. 1 - 307
Remote Start .....	Fig. 1 - 310
Sensor Package Park/Distance .....	Fig. 1 - 315
Hands-Free Kit/Cellular Phone-Blue Tooth.....	Fig. 1 - 320
Hands-free Kit/Cellular Phone-Blue Tooth-Low Speed.....	Fig. 1 - 325
<b>Exterior Appearance</b>	
Wheel Kit.....	Fig. 1 - 405
Wheel Kit.....	Fig. 1 - 410
<b>Fog Lights &amp; Electrical</b>	
Off-Road/Driving Lamp Wiring Kit.....	Fig. 1 - 605
Roof Mounted Off-Road Lamp Wiring Kit .....	Fig. 1 - 610
Fog Lamp Kit .....	Fig. 1 - 615
Engine Block Heater .....	Fig. 1 - 620
<b>Security</b>	
Alarm Kit .....	Fig. 1 - 910
<b>Powertrain</b>	
Engine Oil Cooler .....	Fig. 1 - 1105
Engine Oil Cooler .....	Fig. 1 - 1110

**Satellite Receiver GEN 2.5**  
**Figure 1-105**

ITEM	PART NUMBER	QTY	LINE	SERIES	BODY	ENGINE	TRANS	TRIM	DESCRIPTION
------	-------------	-----	------	--------	------	--------	-------	------	-------------

Note: For Warranty Repair On Item 3, Order Using Z Prefix

1	82209719AC	1							RECEIVER, Satellite
2	05150048AB	1							ANTENNA, Satellite
3	68015147AD	1							RECEIVER, Satellite



**COMPASS/PATRIOT (MK)**

SERIES      LINE  
H = HIGHLINE    J = JEEP - 4WD  
L = LOWLINE     T = JEEP - 2WD  
P = PREMIUM

BODY  
49 = HATCHBACK TYPE #2  
74 = SPORT UTILITY 4-DR  
TYPE #4

ENGINE  
ED3 = 2.4L 4 Cyl DOHC 16V  
Dual VVT Engine

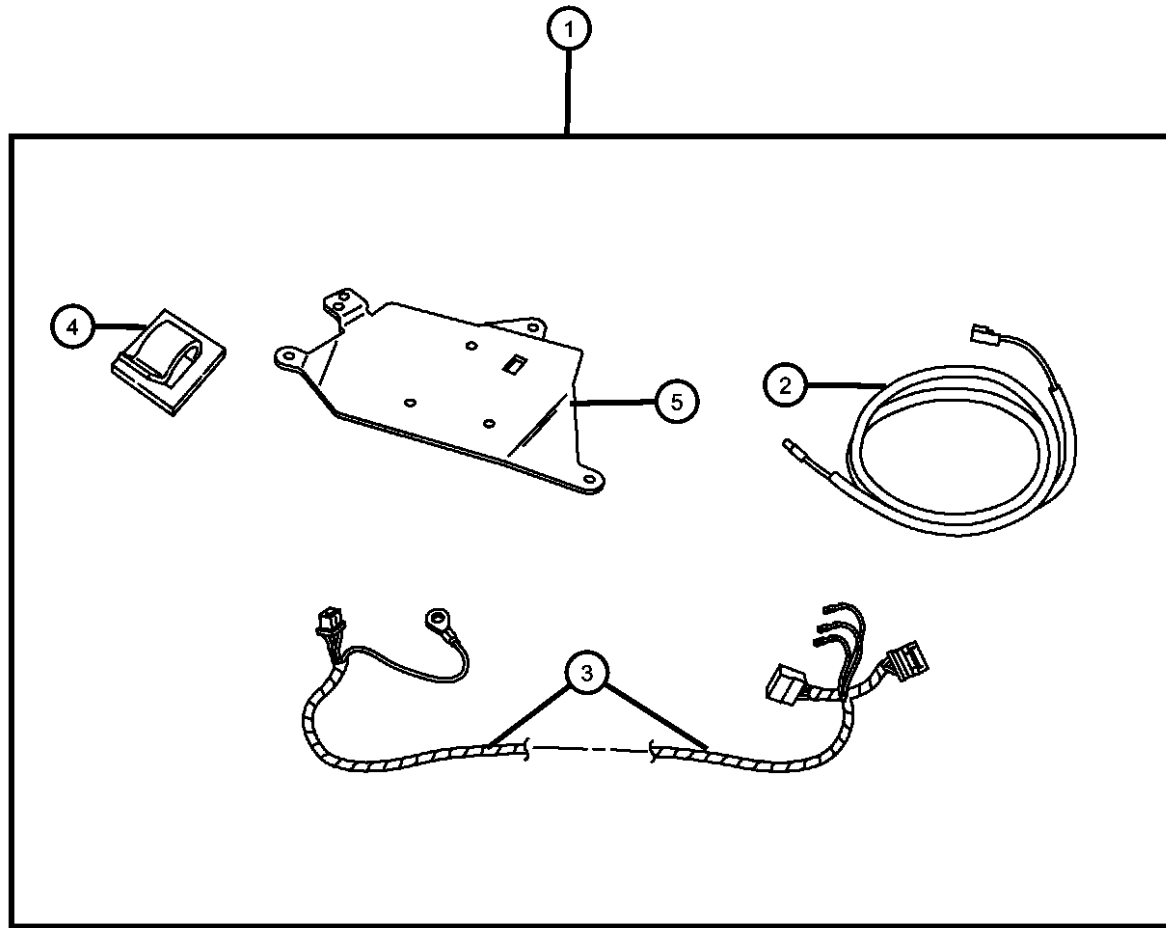
TRANSMISSION  
DD7 = 5-Speed Manual T355  
Transmission  
DEF = 6-Speed Manual Aisin BG6  
Trans  
DAV = Continuously Variable  
Transmission  
DAW = Cont.Var. w/Off-Rd Crawl  
Ratio Trans

AR = use ase required    - = Non illustrated part

2007 MK

**Install Kit - Satellite Radio  
Figure 1-107**

ITEM	PART NUMBER	QTY	LINE	SERIES	BODY	ENGINE	TRANS	TRIM	DESCRIPTION
1	82209500AB	1							INSTALL KIT, Satelite Receiver
2	05183898AA	1							CABLE, Antenna
3	05159035AA	1							HARNESS, Overlay
4	05142940AA	1							CLIP
5	05183897AA	1							BRACKET, Radio



**COMPASS/PATRIOT (MK)**

SERIES      LINE  
H = HIGHLINE    J = JEEP - 4WD  
L = LOWLINE     T = JEEP - 2WD  
P = PREMIUM

BODY  
49 = HATCHBACK TYPE #2  
74 = SPORT UTILITY 4-DR  
TYPE #4

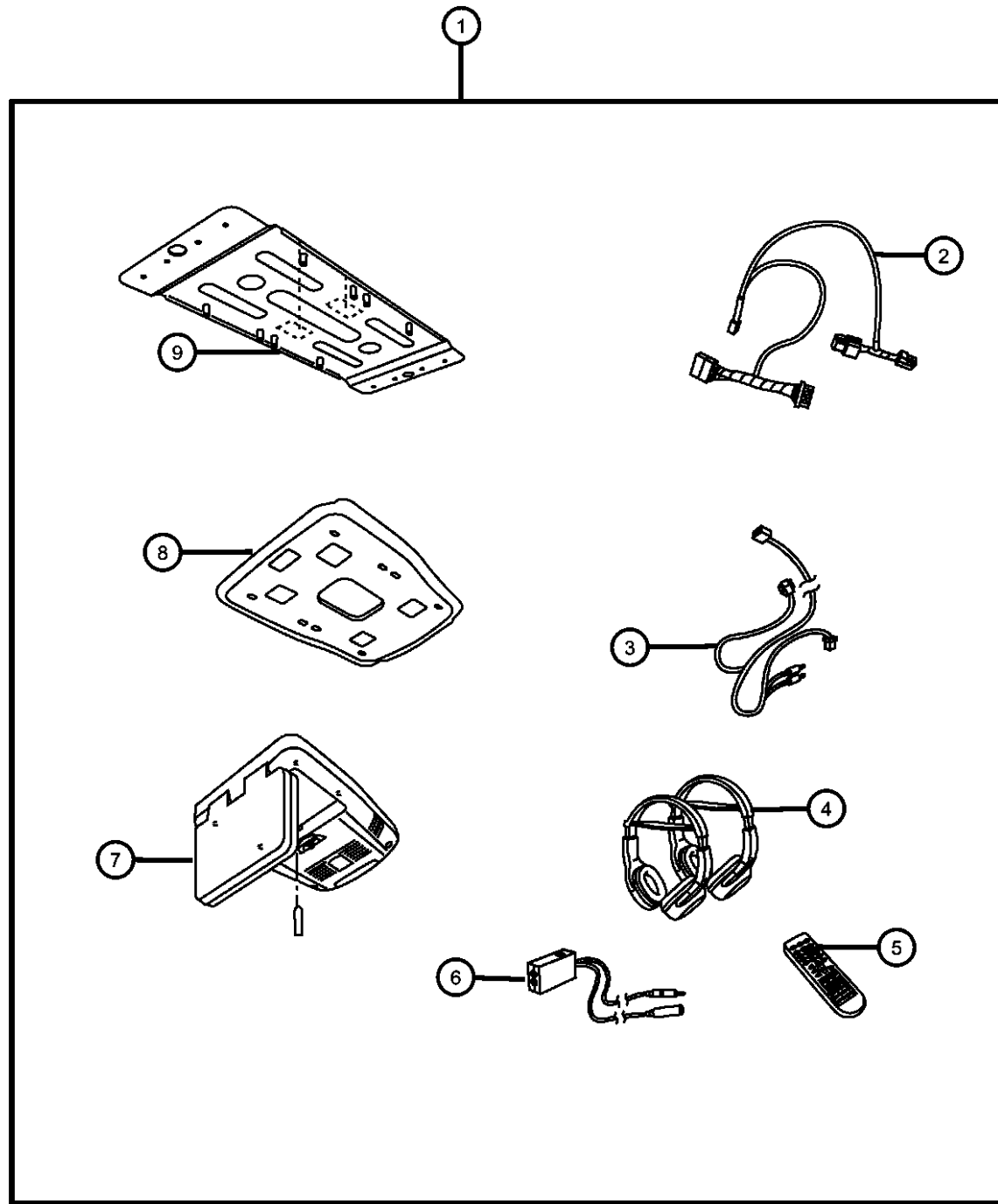
ENGINE  
ED3 = 2.4L 4 Cyl DOHC 16V  
Dual VVT Engine

TRANSMISSION  
DD7 = 5-Speed Manual T355  
Transmission  
DEF = 6-Speed Manual Aisin BG6  
Trans  
DAV = Continuously Variable  
Transmission  
DAW = Cont.Var. w/Off-Rd Crawl  
Ratio Trans

AR = use ase required    - = Non illustrated part

2007 MK

Video Entertainment System-Compass  
Figure 1-110



ITEM	PART NUMBER	QTY	LINE	SERIES	BODY	ENGINE	TRANS	TRIM	DESCRIPTION
1	82210358	1			49				MEDIA SYSTEM, Monitor with DVD
2	05191900AA	1			49				HARNESS, Wiring
3	05166870AA	1			49				HARNESS, Wiring
4	05064037AA	1			49				HEADPHONES, Wireless
5	05166873AA	1			49				REMOTE, Wireless Infrared
6	05166872AA	1			49				MODULATOR, FM
7	05166869AA	1			49				MEDIA SYSTEM, Monitor with DVD
8	68001720AA	1			49				SHROUD, SHROUD
9	68001717AA	1			49				BRACKET, Mounting

COMPASS/PATRIOT (MK)

SERIES LINE  
H = HIGHLINE J = JEEP - 4WD  
L = LOWLINE T = JEEP - 2WD  
P = PREMIUM

BODY  
49 = HATCHBACK TYPE #2  
74 = SPORT UTILITY 4-DR TYPE #4

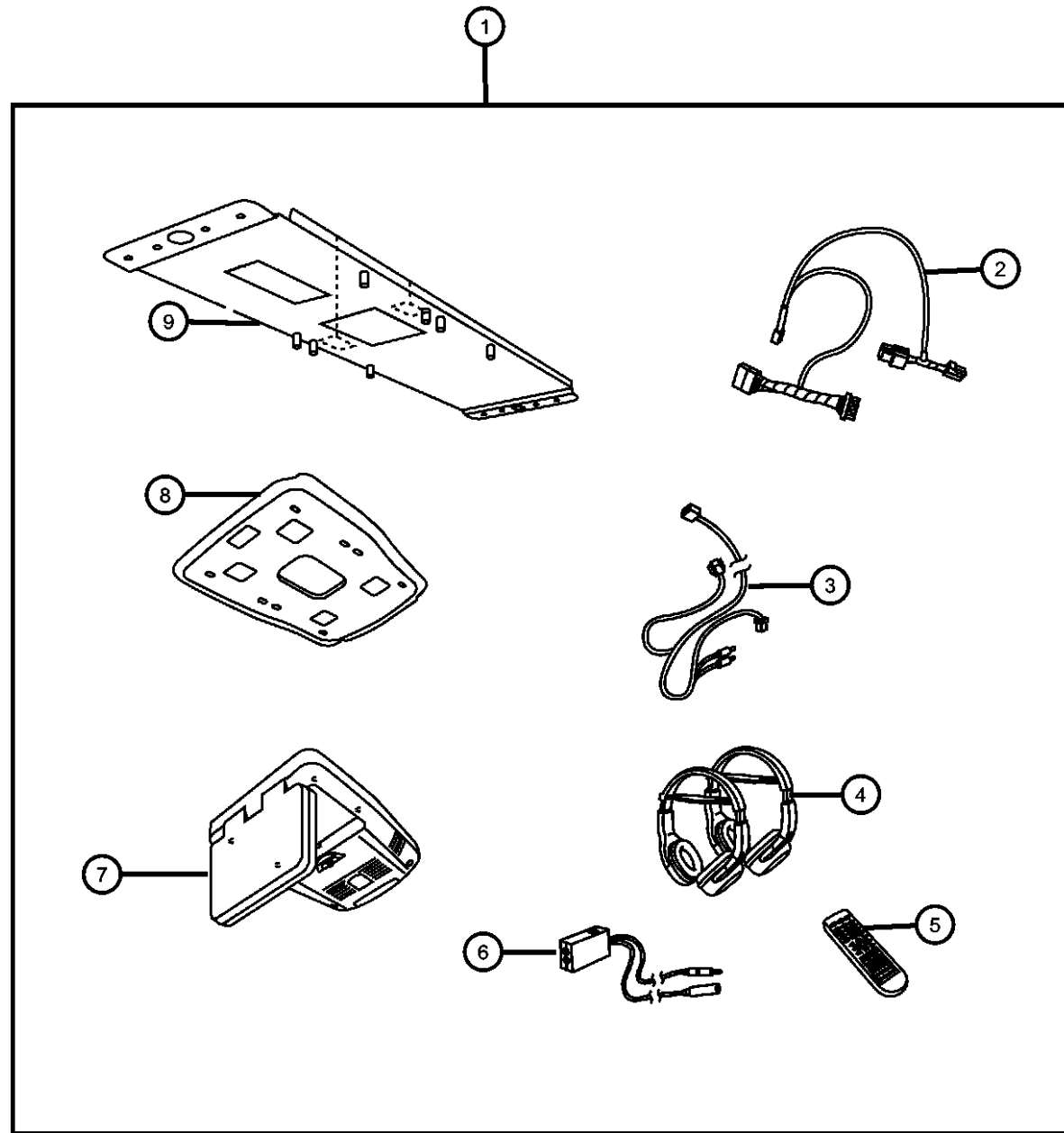
ENGINE  
ED3 = 2.4L 4 Cyl DOHC 16V Dual VVT Engine

TRANSMISSION  
DD7 = 5-Speed Manual T355 Transmission  
DEF = 6-Speed Manual Aisin BG6 Trans  
DAV = Continuously Variable Transmission  
DAW = Cont.Var. w/Off-Rd Crawl Ratio Trans

AR = use ase required - = Non illustrated part

2007 MK

**Video Entertainment System-Patriot**  
**Figure 1-115**



ITEM	PART NUMBER	QTY	LINE	SERIES	BODY	ENGINE	TRANS	TRIM	DESCRIPTION
1	82210468	1			74				MEDIA SYSTEM, Monitor with DVD
2	05191900AA	1			74				HARNESS, Wiring
3	05166870AA	1			74				HARNESS, Wiring
4	05064037AA	1			74				HEADPHONES, Wireless
5	05166873AA	1			74				REMOTE, Wireless Infrared
6	05166872AA	1			74				MODULATOR, FM
7	05166869AA	1			74				MEDIA SYSTEM, Monitor with DVD
8	68001721AA	1			74				SHROUD, SHROUD
9	68001718AA	1			74				BRACKET, Mounting

**COMPASS/PATRIOT (MK)**

SERIES      LINE  
H = HIGHLINE    J = JEEP - 4WD  
L = LOWLINE     T = JEEP - 2WD  
P = PREMIUM

BODY  
49 = HATCHBACK TYPE #2  
74 = SPORT UTILITY 4-DR  
TYPE #4

ENGINE  
ED3 = 2.4L 4 Cyl DOHC 16V  
Dual VVT Engine

TRANSMISSION  
DD7 = 5-Speed Manual T355  
Transmission  
DEF = 6-Speed Manual Aisin BG6  
Trans  
DAV = Continuously Variable  
Transmission  
DAW = Cont.Var. w/Off-Rd Crawl  
Ratio Trans

AR = use ase required - = Non illustrated part

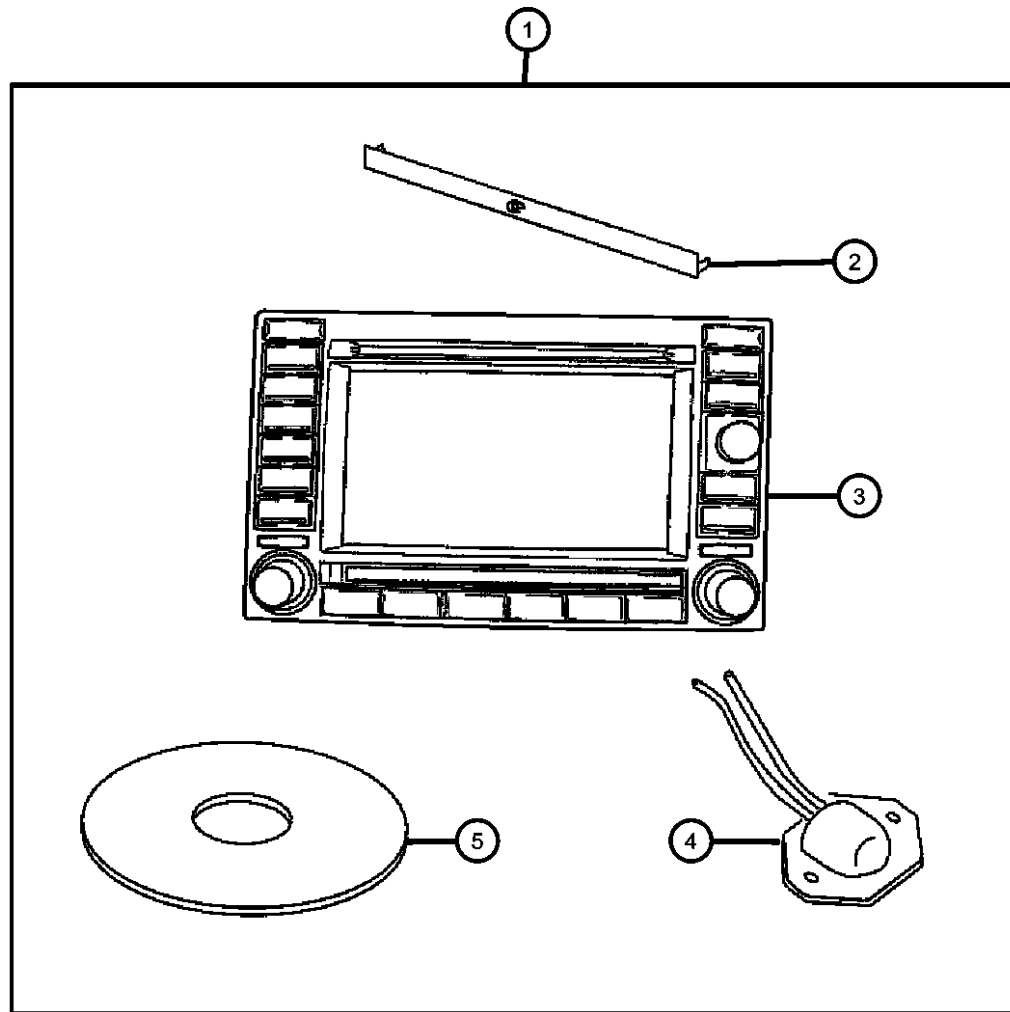
2007 MK

Navigation Kit [REC]  
Figure 1-120

ITEM	PART NUMBER	QTY	LINE	SERIES	BODY	ENGINE	TRANS	TRIM	DESCRIPTION
------	-------------	-----	------	--------	------	--------	-------	------	-------------

Note: For Warranty Repair on Item 2, Order Using Z Prefix

1	82208653AI	1							RADIO, AM/FM CD W/NAV/DVD & CD-CTRL, [REC]
2	05161571AA	1							COVER, Radio
3	82208653AI	1							RADIO, AM/FM CD W/NAV/DVD & CD-CTRL
4	56038630AA	1							ANTENNA, GPS
5	05064033AE	1							DVD, Geographic Database



COMPASS/PATRIOT (MK)

SERIES LINE  
H = HIGHLINE J = JEEP - 4WD  
L = LOWLINE T = JEEP - 2WD  
P = PREMIUM

BODY  
49 = HATCHBACK TYPE #2  
74 = SPORT UTILITY 4-DR  
TYPE #4

ENGINE  
ED3 = 2.4L 4 Cyl DOHC 16V  
Dual VVT Engine

TRANSMISSION  
DD7 = 5-Speed Manual T355  
Transmission  
DEF = 6-Speed Manual Aisin BG6  
Trans  
DAV = Continuously Variable  
Transmission  
DAW = Cont.Var. w/Off-Rd Crawl  
Ratio Trans

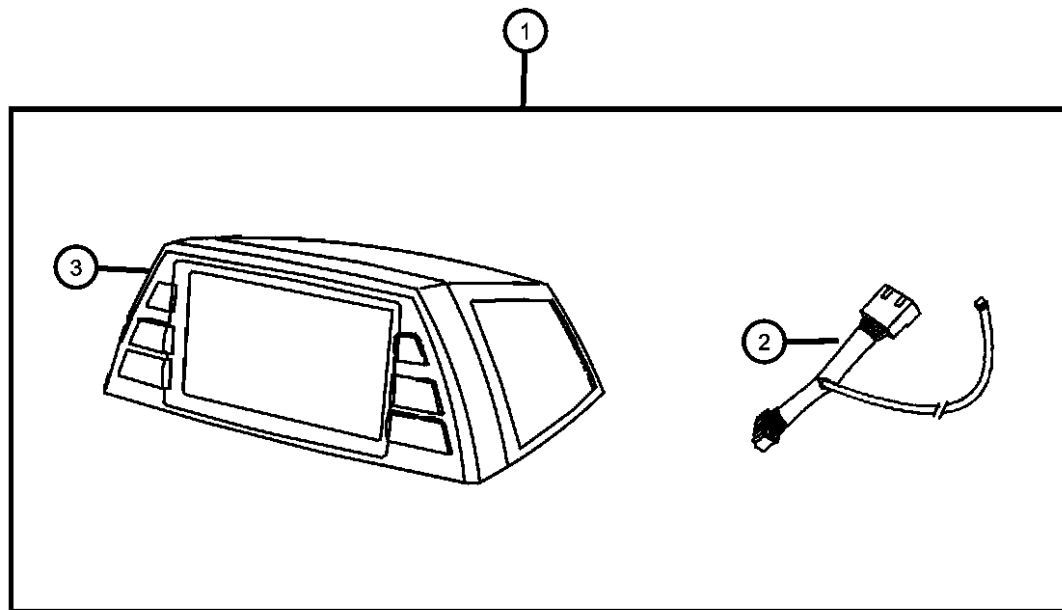
AR = use ase required - = Non illustrated part

2007 MK



**Navigation Kit - Stand Alone**  
**Figure 1-125**

ITEM	PART NUMBER	QTY	LINE	SERIES	BODY	ENGINE	TRANS	TRIM	DESCRIPTION
1	82209850	1							NAVIGATION KIT, Vehicle
2	05175003AA	1							WIRING, Navigation Display
3	05175002AA	1							MODULE, Navigation Display
-4	05175839AA	1							COVER, Radio
-5	05175016AA	1							MEMORY CARD, Map Data



**COMPASS/PATRIOT (MK)**

SERIES      LINE  
H = HIGHLINE    J = JEEP - 4WD  
L = LOWLINE     T = JEEP - 2WD  
P = PREMIUM

BODY  
49 = HATCHBACK TYPE #2  
74 = SPORT UTILITY 4-DR  
TYPE #4

ENGINE  
ED3 = 2.4L 4 Cyl DOHC 16V  
Dual VVT Engine

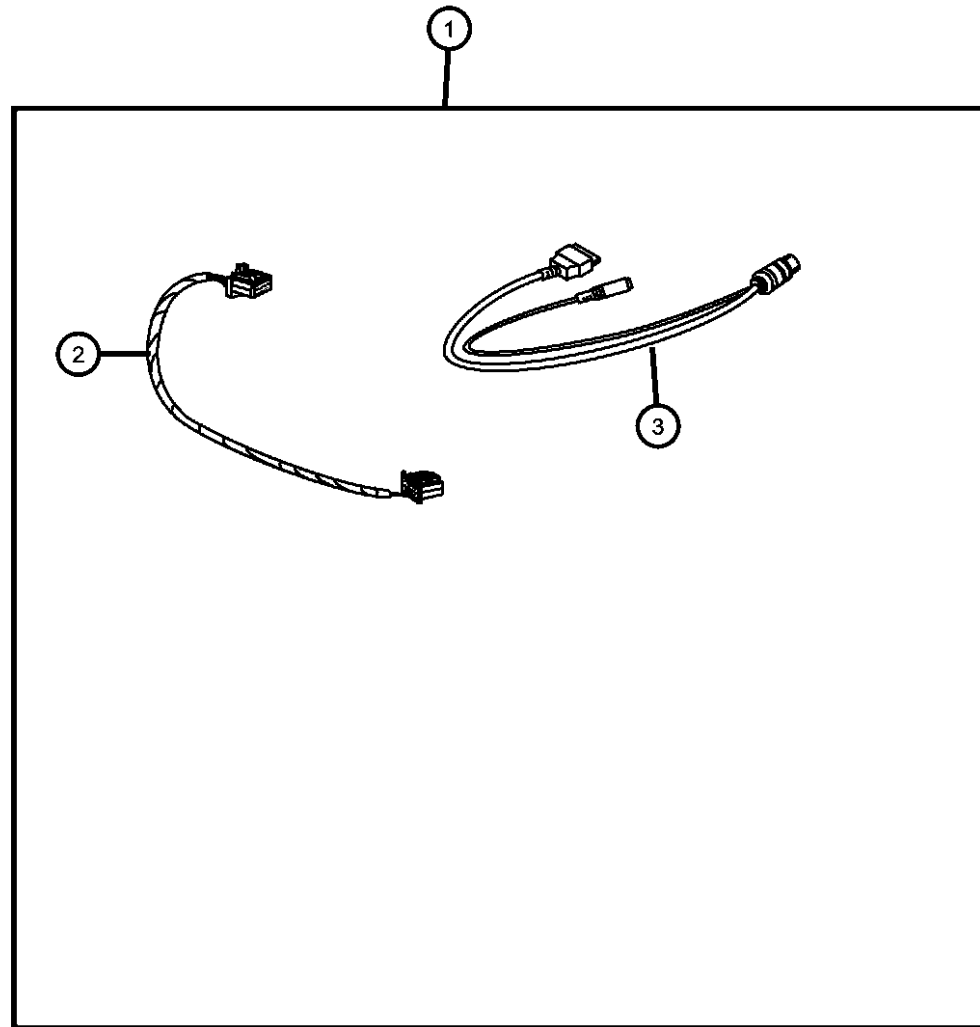
TRANSMISSION  
DD7 = 5-Speed Manual T355  
Transmission  
DEF = 6-Speed Manual Aisin BG6  
Trans  
DAV = Continuously Variable  
Transmission  
DAW = Cont.Var. w/Off-Rd Crawl  
Ratio Trans

AR = use ase required - = Non illustrated part

2007 MK

**Module Kit-iPod Adapter  
Figure 1-130**

ITEM	PART NUMBER	QTY	LINE	SERIES	BODY	ENGINE	TRANS	TRIM	DESCRIPTION
1	82209617	1							MODULE KIT, IPOD Interface
2	68029468AA	1							CABLE
3	68029461AA	1							CABLE



**COMPASS/PATRIOT (MK)**

SERIES      LINE  
H = HIGHLINE    J = JEEP - 4WD  
L = LOWLINE     T = JEEP - 2WD  
P = PREMIUM

BODY  
49 = HATCHBACK TYPE #2  
74 = SPORT UTILITY 4-DR  
TYPE #4

ENGINE  
ED3 = 2.4L 4 Cyl DOHC 16V  
Dual VVT Engine

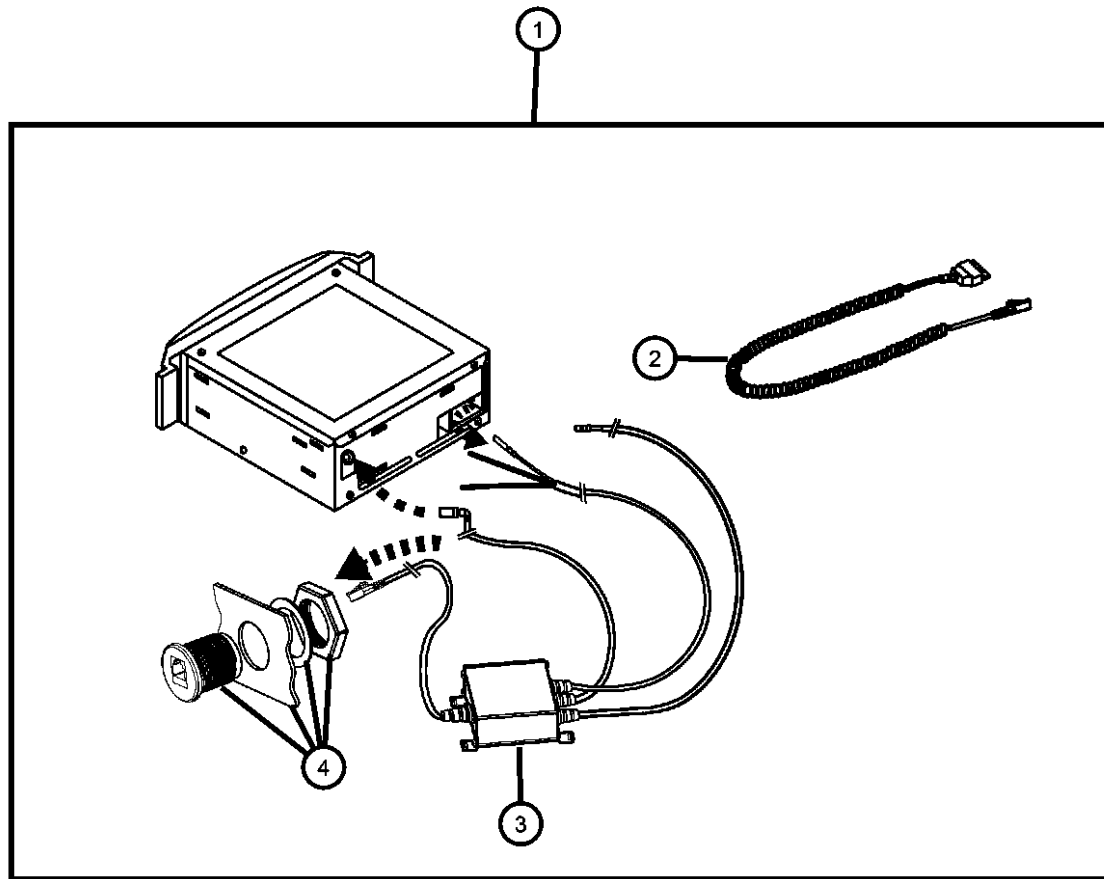
TRANSMISSION  
DD7 = 5-Speed Manual T355  
Transmission  
DEF = 6-Speed Manual Aisin BG6  
Trans  
DAV = Continuously Variable  
Transmission  
DAW = Cont.Var. w/Off-Rd Crawl  
Ratio Trans

AR = use ase required - = Non illustrated part

2007 MK

FMiPod Adapter  
Figure 1-135

ITEM	PART NUMBER	QTY	LINE	SERIES	BODY	ENGINE	TRANS	TRIM	DESCRIPTION
1	82210181	1							MODULE KIT, IPOD Interface
2	68001396AA	1							HARNESS, Jumper
3	68001396AA	1							TRANSMITTER, (NOT SERVICED)
4	68024675AA	1							HARDWARE



COMPASS/PATRIOT (MK)

SERIES LINE  
H = HIGHLINE J = JEEP - 4WD  
L = LOWLINE T = JEEP - 2WD  
P = PREMIUM

BODY  
49 = HATCHBACK TYPE #2  
74 = SPORT UTILITY 4-DR  
TYPE #4

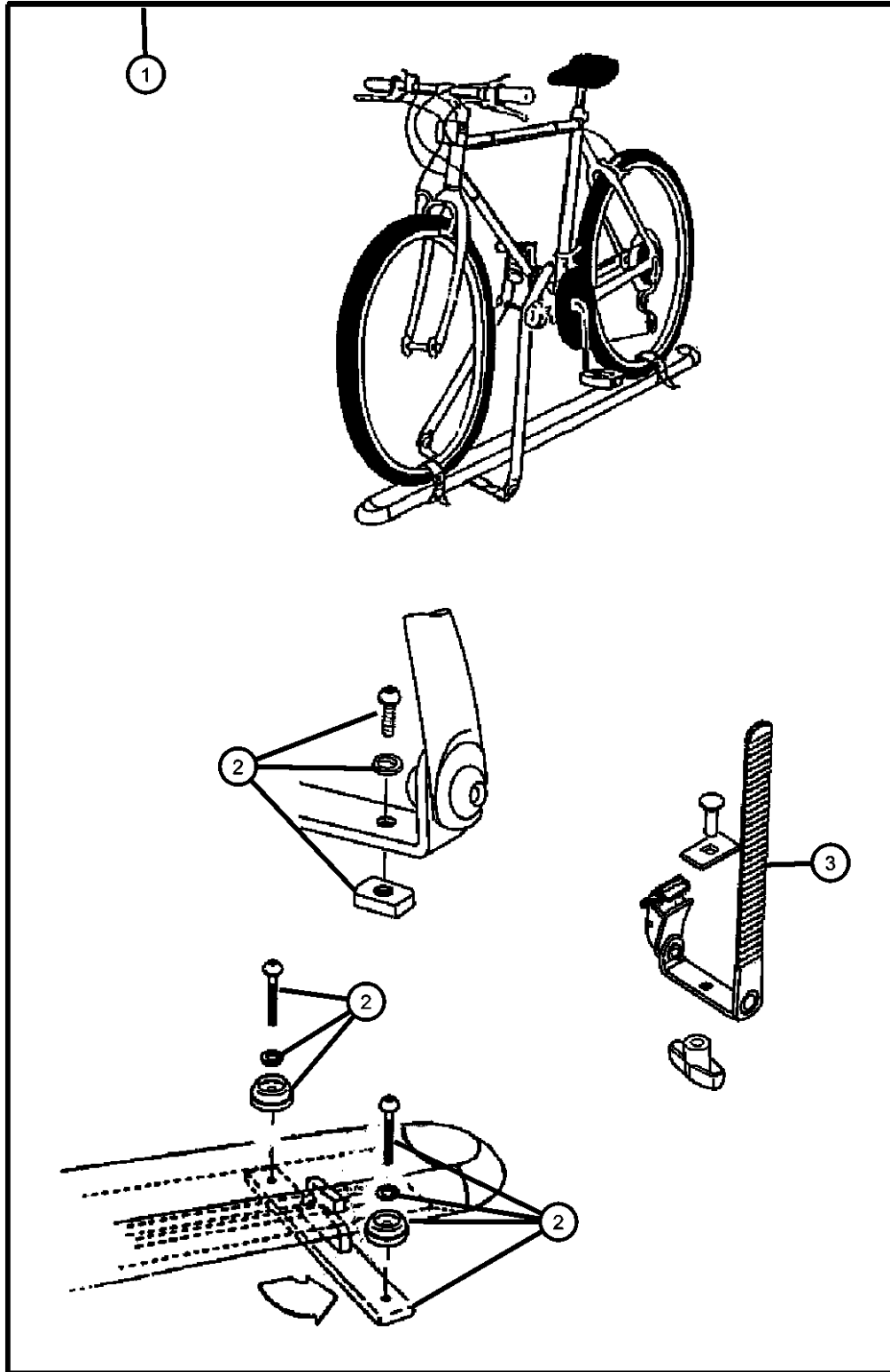
ENGINE  
ED3 = 2.4L 4 Cyl DOHC 16V  
Dual VVT Engine

TRANSMISSION  
DD7 = 5-Speed Manual T355  
Transmission  
DEF = 6-Speed Manual Aisin BG6  
Trans  
DAV = Continuously Variable  
Transmission  
DAW = Cont.Var. w/Off-Rd Crawl  
Ratio Trans

AR = use ase required - = Non illustrated part

2007 MK

**Bike Carrier - Roof - Upright Mount**  
**Figure 1-205**



ITEM	PART NUMBER	QTY	LINE	SERIES	BODY	ENGINE	TRANS	TRIM	DESCRIPTION
------	-------------	-----	------	--------	------	--------	-------	------	-------------

Note; Requires Sport Utility Rack

1	82207942	1			49				CARRIER KIT, Bike, Upright - Mount
2	05093779AA	1			49				HARDWARE KIT, Accessory, Contains:2-T-Slot Anchors,1-RR T-Slot Bar,4-Button Head Screws,2-Lockwashers,4-Round Dome Washers
3	05114532AA	1			49				STRAP, Cargo Tie Down

**COMPASS/PATRIOT (MK)**

SERIES      LINE  
H = HIGHLINE    J = JEEP - 4WD  
L = LOWLINE     T = JEEP - 2WD  
P = PREMIUM

BODY  
49 = HATCHBACK TYPE #2  
74 = SPORT UTILITY 4-DR TYPE #4

ENGINE  
ED3 = 2.4L 4 Cyl DOHC 16V Dual VVT Engine

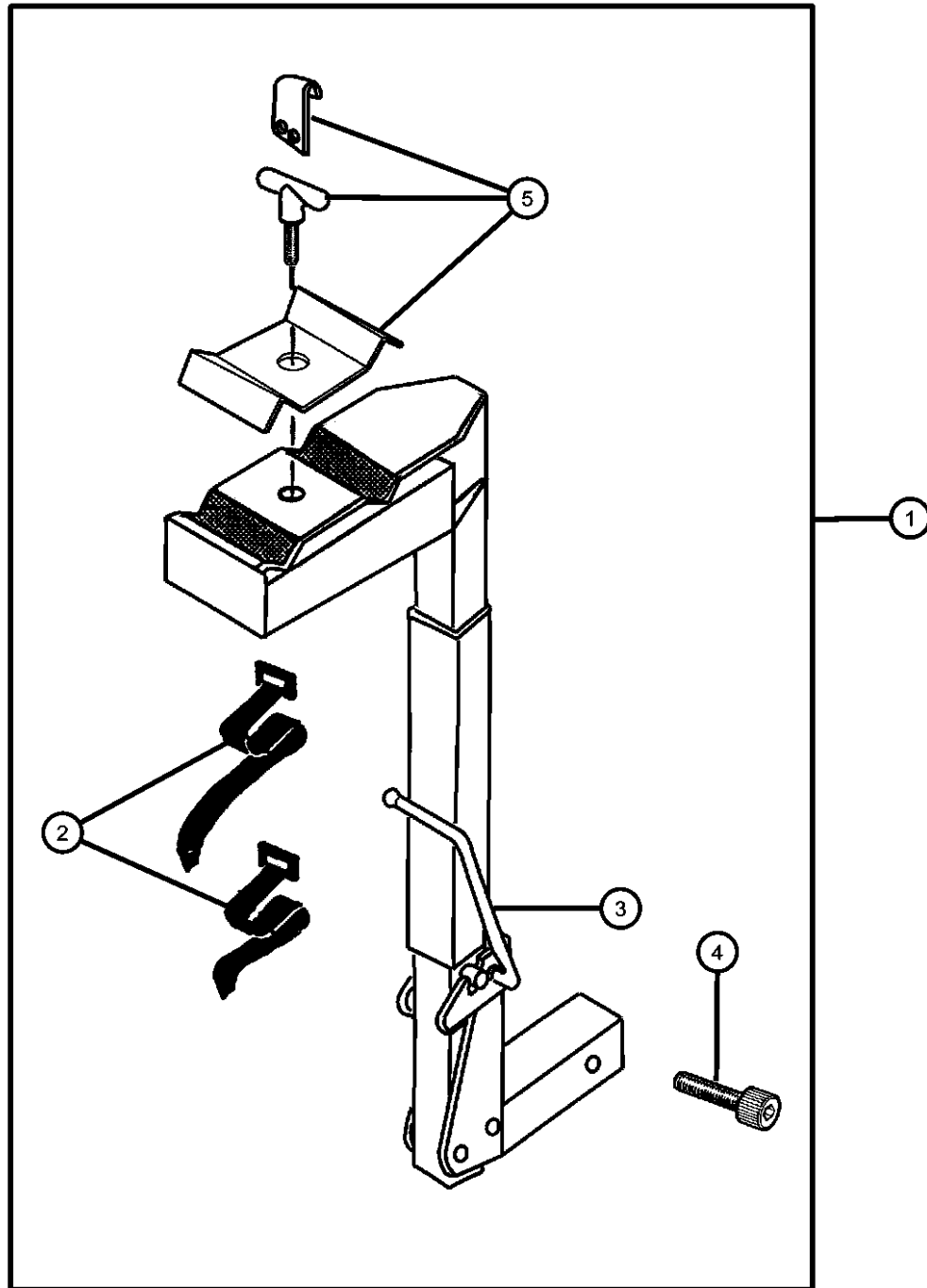
TRANSMISSION  
DD7 = 5-Speed Manual T355 Transmission  
DEF = 6-Speed Manual Aisin BG6 Trans  
DAV = Continuously Variable Transmission  
DAW = Cont.Var. w/Off-Rd Crawl Ratio Trans

AR = use ase required    - = Non illustrated part

2007 MK

**Bike Carrier -Hitch Mount  
Figure 1-210**

ITEM	PART NUMBER	QTY	LINE	SERIES	BODY	ENGINE	TRANS	TRIM	DESCRIPTION
1	82204452	1							CARRIER KIT, Bike
2	04762880	1							STRAP KIT, Velcro
3	05016775AA	1							STRAP KIT, Bike Carrier Latch
4	05016774AA	1							BOLT KIT, Security, Contains: Security Bolt & Wrench, Washer & Nut
5	05018825AA	1							HARDWARE KIT, Bike Carrier, Contains: T-Handle, Lock Strap, Top Clamp Assy. & Nylon Washer



**COMPASS/PATRIOT (MK)**

SERIES      LINE  
H = HIGHLINE    J = JEEP - 4WD  
L = LOWLINE      T = JEEP - 2WD  
P = PREMIUM

BODY  
49 = HATCHBACK TYPE #2  
74 = SPORT UTILITY 4-DR  
TYPE #4

ENGINE  
ED3 = 2.4L 4 Cyl DOHC 16V  
Dual VVT Engine

TRANSMISSION  
DD7 = 5-Speed Manual T355  
Transmission  
DEF = 6-Speed Manual Aisin BG6  
Trans  
DAV = Continuously Variable  
Transmission  
DAW = Cont.Var. w/Off-Rd Crawl  
Ratio Trans

AR = use ase required - = Non illustrated part

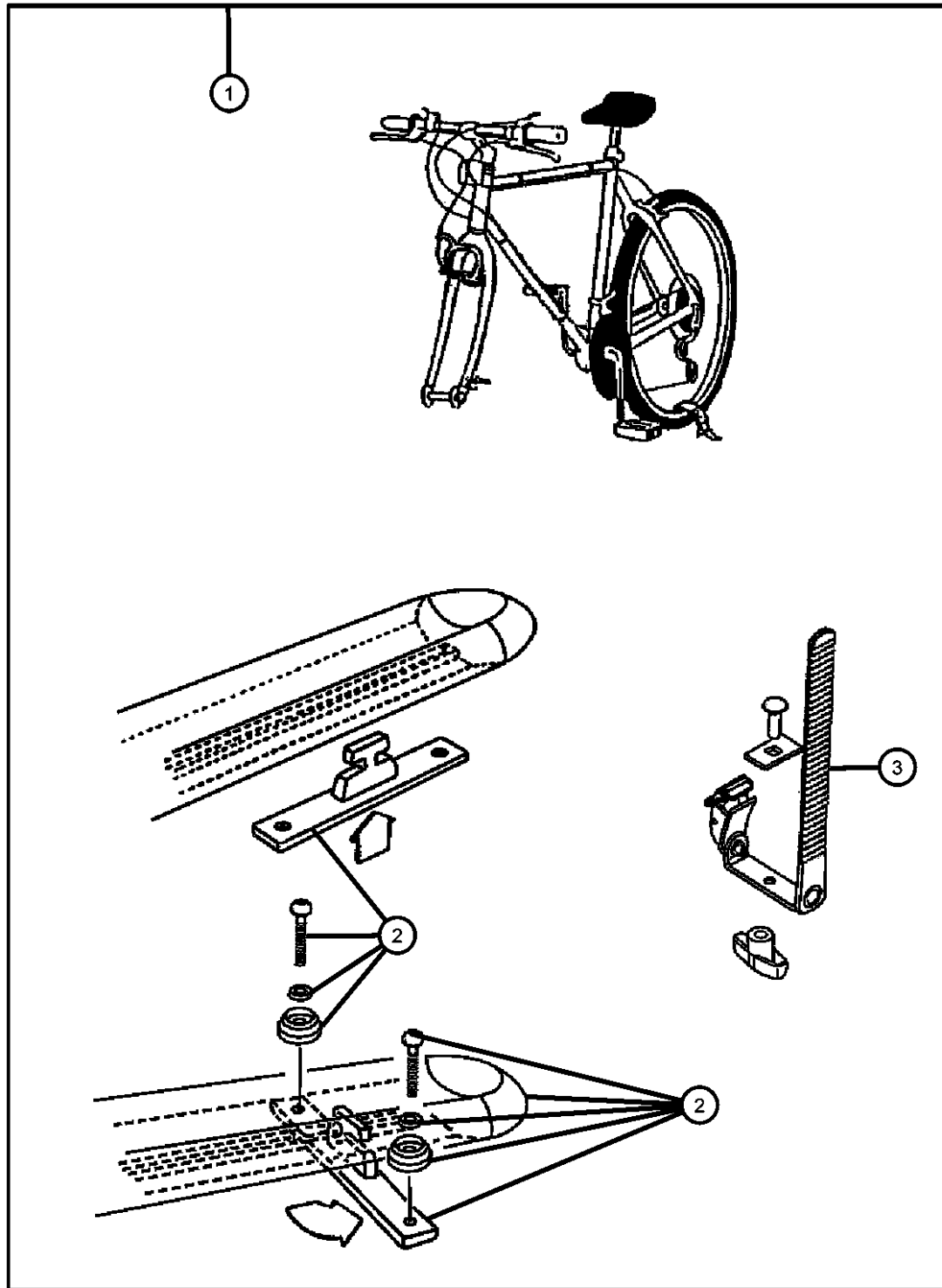
2007 MK

**Bike Carrier-Roof-Fork Mount**  
**Figure 1-215**

ITEM	PART NUMBER	QTY	LINE	SERIES	BODY	ENGINE	TRANS	TRIM	DESCRIPTION
------	-------------	-----	------	--------	------	--------	-------	------	-------------

Note; Requires Sport Utility Rack

1	82207943	1			49				CARRIER KIT, Bike, Fork - Mount
2	05093779AA	1			49				HARDWARE KIT, Accessory, Contains: 2-T-Slot Anchor, 1-RR T-Slot Bar,4-Button Head Screws,2-Lockwashers,4-Round Dome Washers
3	05114532AA	1			49				STRAP, Cargo Tie Down



**COMPASS/PATRIOT (MK)**

SERIES      LINE  
H = HIGHLINE    J = JEEP - 4WD  
L = LOWLINE     T = JEEP - 2WD  
P = PREMIUM

BODY  
49 = HATCHBACK TYPE #2  
74 = SPORT UTILITY 4-DR  
TYPE #4

ENGINE  
ED3 = 2.4L 4 Cyl DOHC 16V  
Dual VVT Engine

TRANSMISSION  
DD7 = 5-Speed Manual T355  
Transmission  
DEF = 6-Speed Manual Aisin BG6  
Trans  
DAV = Continuously Variable  
Transmission  
DAW = Cont.Var. w/Off-Rd Crawl  
Ratio Trans

AR = use ase required - = Non illustrated part

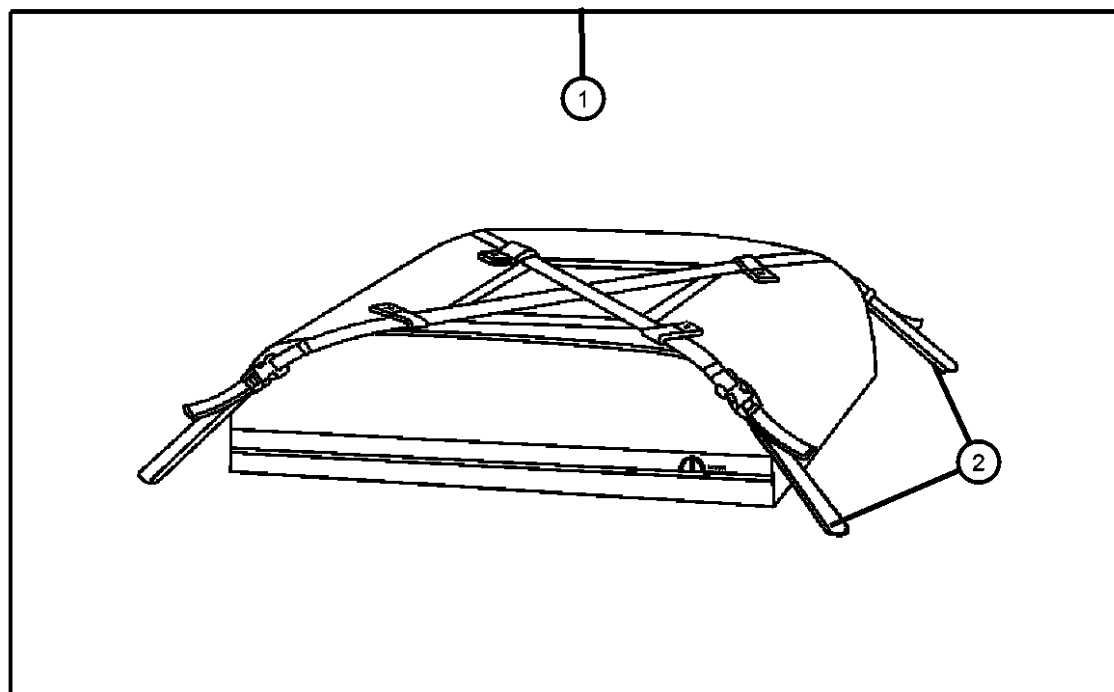
2007 MK

**Luggage Carrier-Roof-Vinyl**  
**Figure 1-220**

ITEM	PART NUMBER	QTY	LINE	SERIES	BODY	ENGINE	TRANS	TRIM	DESCRIPTION
------	-------------	-----	------	--------	------	--------	-------	------	-------------

Note; Sport Utility or Production Rack Required

1	82207198	1			49				CARRIER KIT, Luggage
2	05066332AA	1			49				STRAP KIT, Luggage Carrier



**COMPASS/PATRIOT (MK)**

SERIES      LINE  
H = HIGHLINE    J = JEEP - 4WD  
L = LOWLINE     T = JEEP - 2WD  
P = PREMIUM

BODY  
49 = HATCHBACK TYPE #2  
74 = SPORT UTILITY 4-DR  
TYPE #4

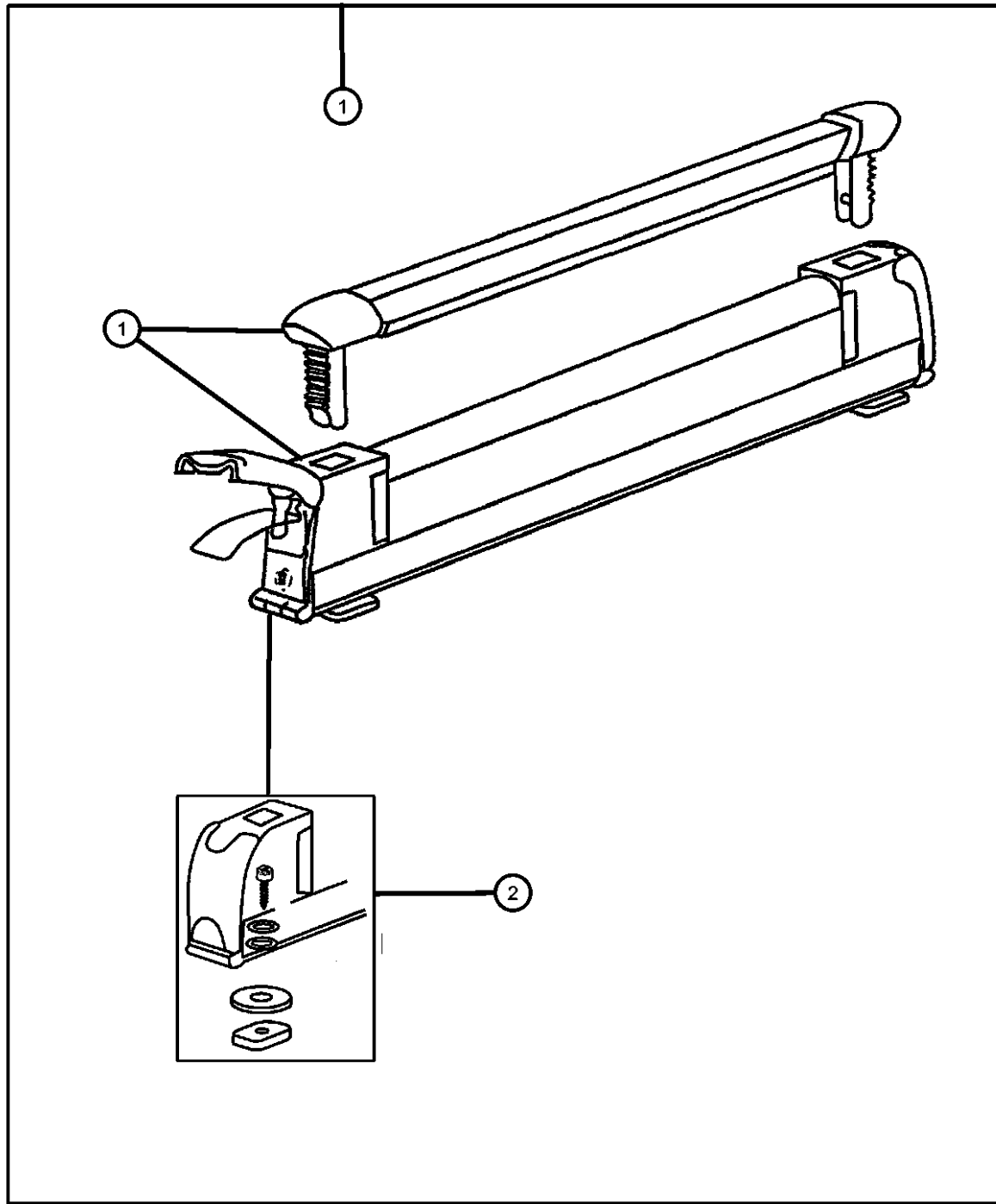
ENGINE  
ED3 = 2.4L 4 Cyl DOHC 16V  
Dual VVT Engine

TRANSMISSION  
DD7 = 5-Speed Manual T355  
Transmission  
DEF = 6-Speed Manual Aisin BG6  
Trans  
DAV = Continuously Variable  
Transmission  
DAW = Cont.Var. w/Off-Rd Crawl  
Ratio Trans

AR = use ase required - = Non illustrated part

2007 MK

**Ski Carrier-Roof Mount  
Figure 1-225**



ITEM	PART NUMBER	QTY	LINE	SERIES	BODY	ENGINE	TRANS	TRIM	DESCRIPTION
------	-------------	-----	------	--------	------	--------	-------	------	-------------

Note; Requires Sport Utility Rack

1	82207308	1			49				CARRIER KIT, Ski
2	05086158AA	1			49				HARDWARE KIT, Accessory, Contains: 4-25MM Screws,4- 16MM Screws,4-20MM Screws,4-Lockwashers 4-Flat Washer,4-T-Plates & 4-Rubber Washers
-3	05066632AA	1			49				TOOL, Screw Driver

**COMPASS/PATRIOT (MK)**

SERIES      LINE  
H = HIGHLINE    J = JEEP - 4WD  
L = LOWLINE     T = JEEP - 2WD  
P = PREMIUM

BODY  
49 = HATCHBACK TYPE #2  
74 = SPORT UTILITY 4-DR  
TYPE #4

ENGINE  
ED3 = 2.4L 4 Cyl DOHC 16V  
Dual VVT Engine

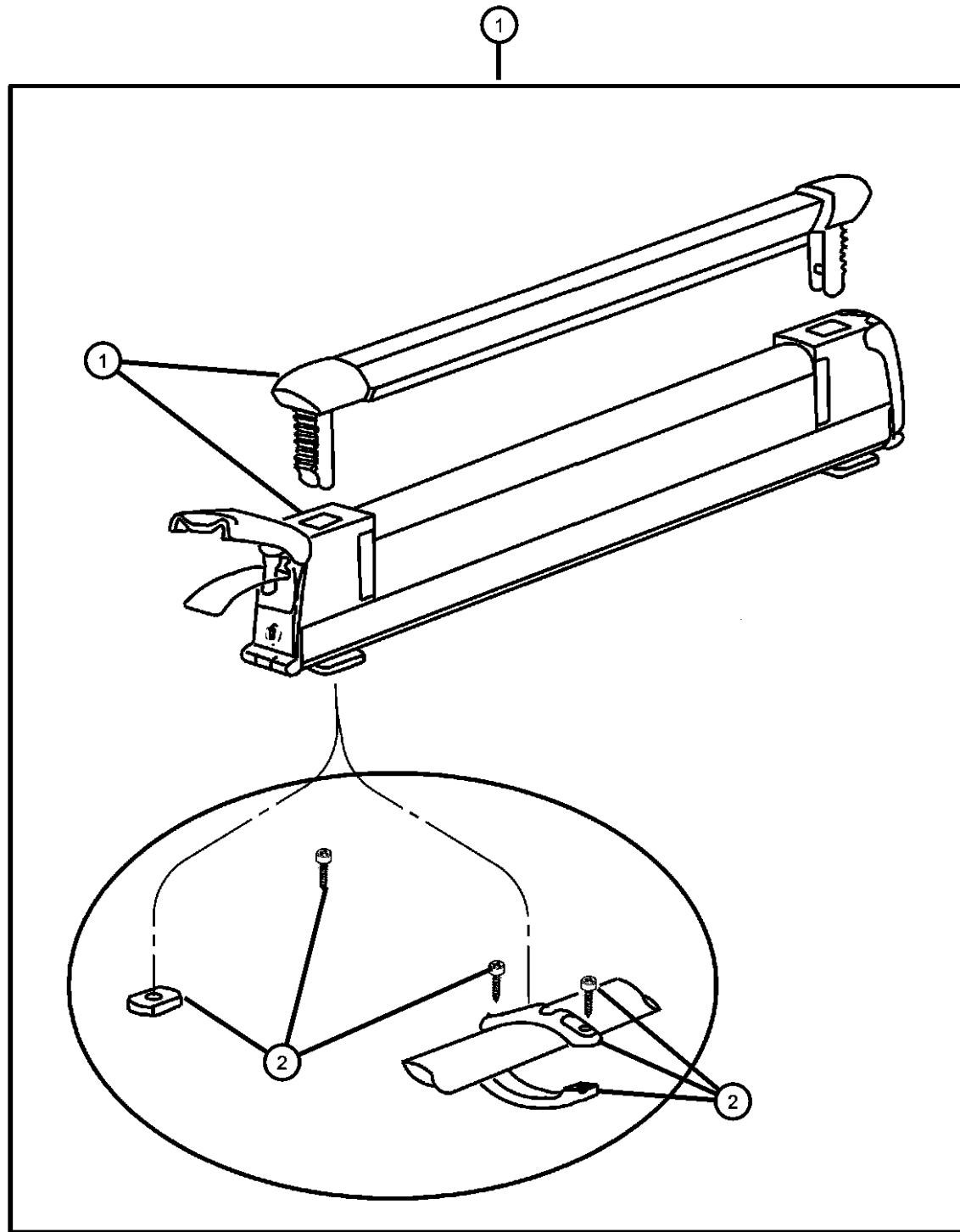
TRANSMISSION  
DD7 = 5-Speed Manual T355  
Transmission  
DEF = 6-Speed Manual Aisin BG6  
Trans  
DAV = Continuously Variable  
Transmission  
DAW = Cont.Var. w/Off-Rd Crawl  
Ratio Trans

AR = use ase required    - = Non illustrated part

2007 MK



Ski Carrier-Ski or Snowboard  
Figure 1-230



ITEM	PART NUMBER	QTY	LINE	SERIES	BODY	ENGINE	TRANS	TRIM	DESCRIPTION
1	82207312	1			74				CARRIER KIT, Ski
2	05086158AA	1			74				HARDWARE KIT, Accessory, Contains: 4-25MM Screws,4- 16MM Screws,4-20MM Screws, 4-Lockwashers,4-Flat Washers,4-T-Plates & 4-Rubber Washers
-3	05066632AA	1			74				TOOL, Screw Driver

COMPASS/PATRIOT (MK)

SERIES LINE  
H = HIGHLINE J = JEEP - 4WD  
L = LOWLINE T = JEEP - 2WD  
P = PREMIUM

BODY  
49 = HATCHBACK TYPE #2  
74 = SPORT UTILITY 4-DR  
TYPE #4

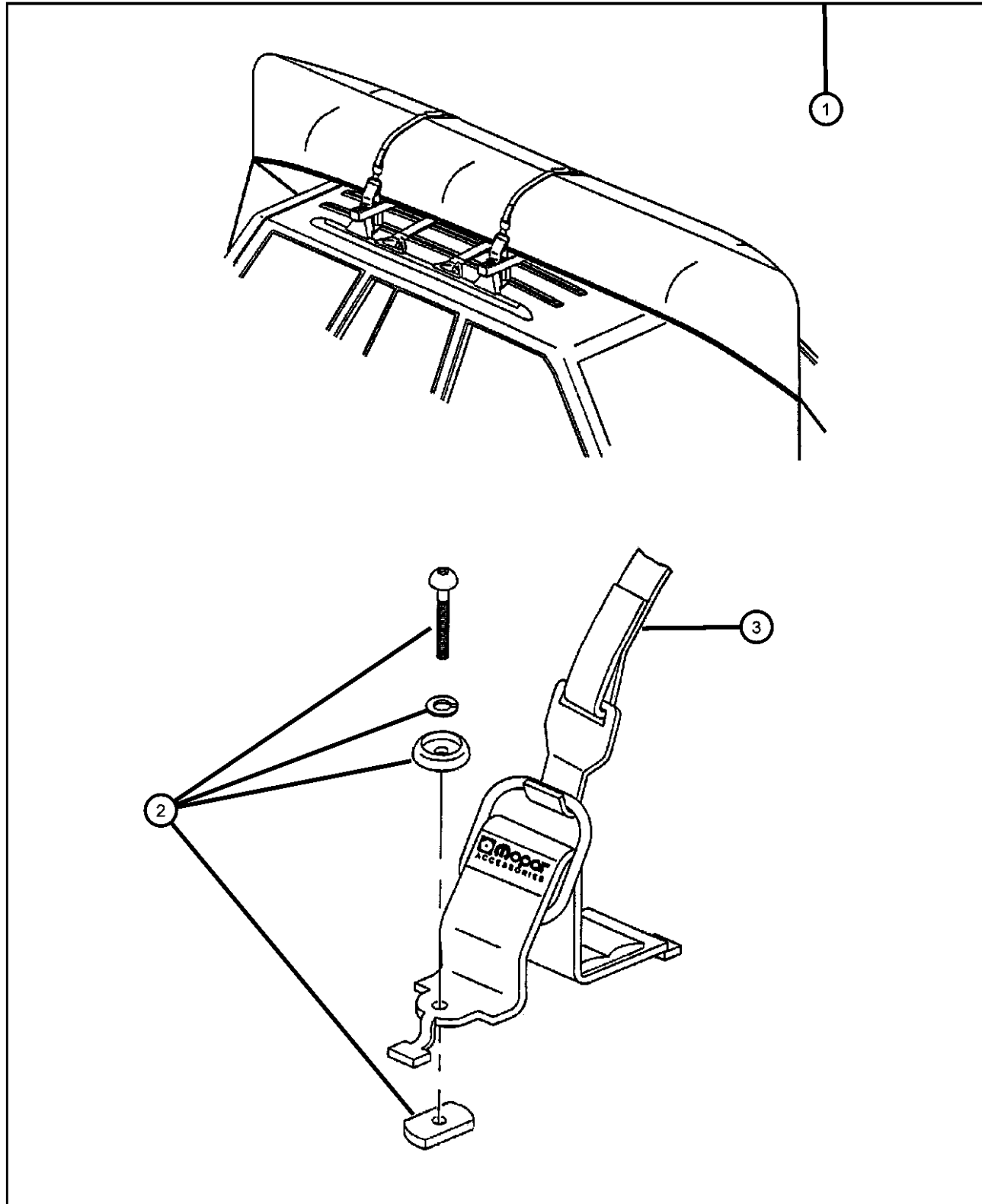
ENGINE  
ED3 = 2.4L 4 Cyl DOHC 16V  
Dual VVT Engine

TRANSMISSION  
DD7 = 5-Speed Manual T355  
Transmission  
DEF = 6-Speed Manual Aisin BG6  
Trans  
DAV = Continuously Variable  
Transmission  
DAW = Cont.Var. w/Off-Rd Crawl  
Ratio Trans

AR = use ase required - = Non illustrated part

2007 MK

Carrier Kit - Canoe  
Figure 1-235



ITEM	PART NUMBER	QTY	LINE	SERIES	BODY	ENGINE	TRANS	TRIM	DESCRIPTION
------	-------------	-----	------	--------	------	--------	-------	------	-------------

Note; Requires Sport Utility Rack

1	82204700	1							
2	05016389AA	1							
3	05016511AA	1							

CARRIER KIT, Canoe  
HARDWARE KIT, Accessory,  
Contains: 4-25MM Button Head  
Screws,4-30MM Button Head  
Screws,4-Lockwashers, 4-Dome  
Washers,4-Rubber Washers &  
4-T-Nuts  
STRAP, Cargo Tie Down

COMPASS/PATRIOT (MK)

SERIES LINE  
H = HIGHLINE J = JEEP - 4WD  
L = LOWLINE T = JEEP - 2WD  
P = PREMIUM

BODY  
49 = HATCHBACK TYPE #2  
74 = SPORT UTILITY 4-DR  
TYPE #4

ENGINE  
ED3 = 2.4L 4 Cyl DOHC 16V  
Dual VVT Engine

TRANSMISSION  
DD7 = 5-Speed Manual T355  
Transmission  
DEF = 6-Speed Manual Aisin BG6  
Trans  
DAV = Continuously Variable  
Transmission  
DAW = Cont.Var. w/Off-Rd Crawl  
Ratio Trans

AR = use ase required - = Non illustrated part

2007 MK

**Carrier Kit-Water Sports  
Figure 1-240**

ITEM	PART NUMBER	QTY	LINE	SERIES	BODY	ENGINE	TRANS	TRIM	DESCRIPTION
Note; Requires Sport Utility Rack									
1	82205416	1							CARRIER KIT, Water Sports
2	05016389AA	1							HARDWARE KIT, Accessory, Contains: 4-25MM Button Head Screws,4-30MM Button Head Screws,4-lockwashers,4-Dome Washers,4-Rubber Washers & 4-T-Nuts
3	05016511AA	1							STRAP, Cargo Tie Down

**COMPASS/PATRIOT (MK)**

SERIES      LINE  
H = HIGHLINE    J = JEEP - 4WD  
L = LOWLINE     T = JEEP - 2WD  
P = PREMIUM

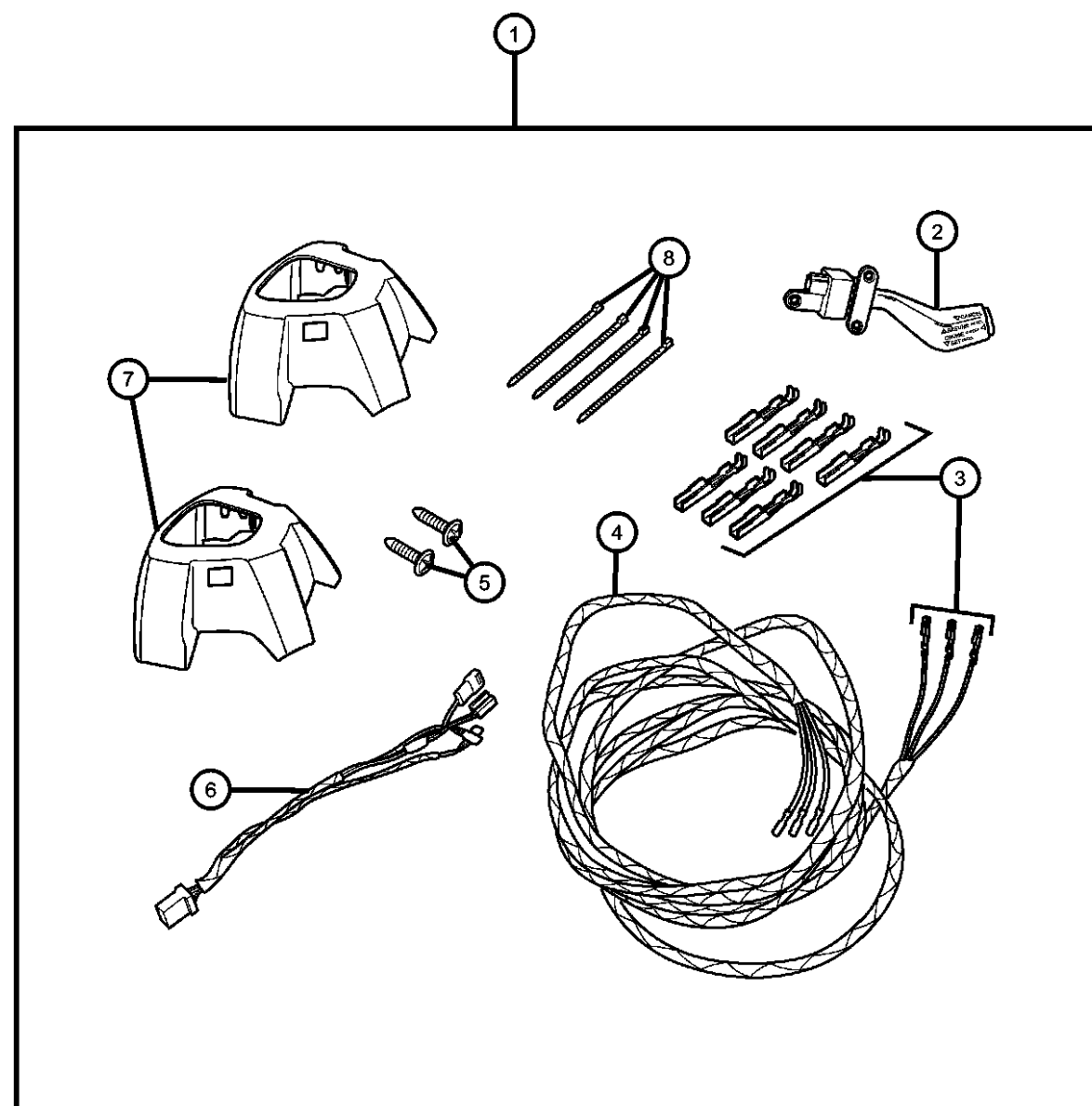
BODY  
49 = HATCHBACK TYPE #2  
74 = SPORT UTILITY 4-DR  
TYPE #4

ENGINE  
ED3 = 2.4L 4 Cyl DOHC 16V  
Dual VVT Engine

TRANSMISSION  
DD7 = 5-Speed Manual T355  
Transmission  
DEF = 6-Speed Manual Aisin BG6  
Trans  
DAV = Continuously Variable  
Transmission  
DAW = Cont.Var. w/Off-Rd Crawl  
Ratio Trans

AR = use ase required - = Non illustrated part

2007 MK



ITEM	PART NUMBER	QTY	LINE	SERIES	BODY	ENGINE	TRANS	TRIM	DESCRIPTION
1	82210878	1			74				CONTROL PACKAGE, Speed Control
2	04671929AA	1			74				SWITCH, Speed Control
3	68021170AA	1			74				TERMINAL
4	68021639AA	1			74				HARNESS, Overlay
5	68021639AA	1							SCREW, Serviced in Assy., (NOT SERVICED)
6	68000462AB	1			74				WIRING, Steering Wheel
7									COVER, Steering Wheel Back
	1EB84DK7AB	1	J, T, U		49, 74				[DK7]
	1EB84XDVAB	1	J, T, U		49, 74				[XDV]
8	06015756	1			74				STRAP, Tie, Quantity of 4

COMPASS/PATRIOT (MK)

SERIES LINE  
 H = HIGHLINE J = JEEP - 4WD  
 L = LOWLINE T = JEEP - 2WD  
 P = PREMIUM

BODY  
 49 = HATCHBACK TYPE #2  
 74 = SPORT UTILITY 4-DR TYPE #4

ENGINE  
 ED3 = 2.4L 4 Cyl DOHC 16V Dual VVT Engine

TRANSMISSION  
 DD7 = 5-Speed Manual T355 Transmission  
 DEF = 6-Speed Manual Aisin BG6 Trans  
 DAV = Continuously Variable Transmission  
 DAW = Cont.Var. w/Off-Rd Crawl Ratio Trans