

# Service Manual

3CX, 4CX, 214e, 214, 215,  
217 & VARIANTS

# Backhoe Loader

From M/c No. 930000 Onwards  
From M/c No. 903000 Onwards (USA)

PUBLISHED BY THE  
TECHNICAL PUBLICATIONS DEPARTMENT  
OF JCB SERVICE; © WORLD PARTS CENTRE,  
WATERLOO PARK, UTTOXETER, ST14 5PA  
ENGLAND  
Tel. ROCESTER (01889) 590312  
PRINTED IN ENGLAND

Publication No. 9803/3280 Issue 4

General Information	1
Care & Safety	2
Routine Maintenance	3
Attachments	A
Body & Framework	B
Electrics	C
Controls	D
Hydraulics	E
Transmission	F
Brakes	G
Steering	H
Engine	K

## Introduction

This publication is designed for the benefit of JCB Distributor Service Engineers who are receiving, or have received, training by JCB Technical Training Department.

These personnel should have a sound knowledge of workshop practice, safety procedures, and general techniques associated with the maintenance and repair of hydraulic earthmoving equipment.

Renewal of oil seals, gaskets, etc., and any component showing obvious signs of wear or damage is expected as a matter of course. It is expected that components will be cleaned and lubricated where appropriate, and that any opened hose or pipe connections will be blanked to prevent excessive loss of hydraulic fluid and ingress of dirt. Finally, please remember above all else **SAFETY MUST COME FIRST!**

The manual is compiled in sections, the first three are numbered and contain information as follows:

**1** = **General Information** - includes torque settings and service tools.  
**2** = **Care & Safety** - includes warnings and cautions pertinent to aspects of workshop procedures etc.  
**3** = **Routine Maintenance** - includes service schedules and recommended lubricants for all the machine.

The remaining sections are alphabetically coded and deal with Dismantling, Overhaul etc. of specific components, for example:

**A** = **Attachments**  
**B** = **Body & Framework** ...etc.

The page numbering in each alphabetically coded section is not continuous. This allows for the insertion of new items in later issues of the manual.

Section contents, technical data, circuit descriptions, operation descriptions etc are inserted at the beginning of each alphabetically coded section.

All sections are listed on the front cover; tabbed divider cards align directly with individual sections on the front cover for rapid reference.

Where a torque setting is given as a single figure it may be varied by plus or minus 3%. Torque figures indicated are for dry threads, hence for lubricated threads may be reduced by one third.

With the exception of slewing operations 'Left Hand' and 'Right Hand' are as viewed from the rear of the machine facing forwards.








## Machine Nomenclature

In this Service Manual, reference is made to machine models, e.g. 3CX, 4CX, these are European machine model names. North American machine models have different names, the table below shows the European and the equivalent North American nomenclature.

European		North American
3CX	=	214
4CX	=	214S, 215S, 217S

## Colour Coding

The following colour coding, used on illustrations to denote various conditions of oil pressure and flow, is standardised throughout JCB Service publications.

-  **Red** — **Full Pressure**  
Pressure generated from operation of a service. Depending on application this may be anything between neutral circuit pressure and M.R.V. operating pressure.
-  **Pink** — **Pressure**  
Pressure that is above neutral circuit pressure but lower than that denoted by red.
-  **Orange** — **Servo**  
Oil pressure used in controlling a device (servo).
-  **Blue** — **Neutral**  
Neutral circuit pressure.
-  **Green** — **Exhaust**
-  **Light Green** — **Cavitation**  
Oil subjected to a partial vacuum due to a drop in pressure (cavitation).
-  **Yellow** — **Lock Up**  
Oil trapped within a chamber or line, preventing movement of components (lock up).

A390940

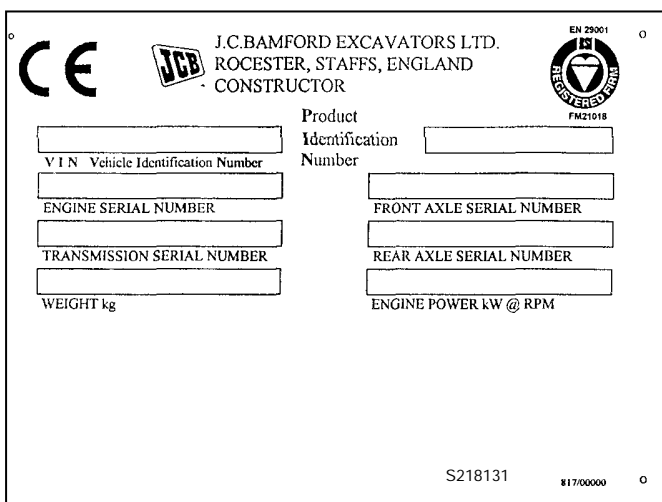
<b>Contents</b>	<b>Page No.</b>
Machine Identification Plate	1 - 1
Typical Vehicle Identification Number (VIN)	1 - 1
Typical Engine Identification Number	1 - 1
Serial Plates	1 - 2
Torque Settings	2 - 1
Service Tools Numerical List	3 - 1
Service Tools	
- Body & Framework	4 - 1
- Electrics	4 - 4
- Hydraulics	4 - 6
- Transmission	4 - 10
- Engine	4 - 19*
Sealing and Retaining Compounds	5 - 1

### Machine Identification Plate

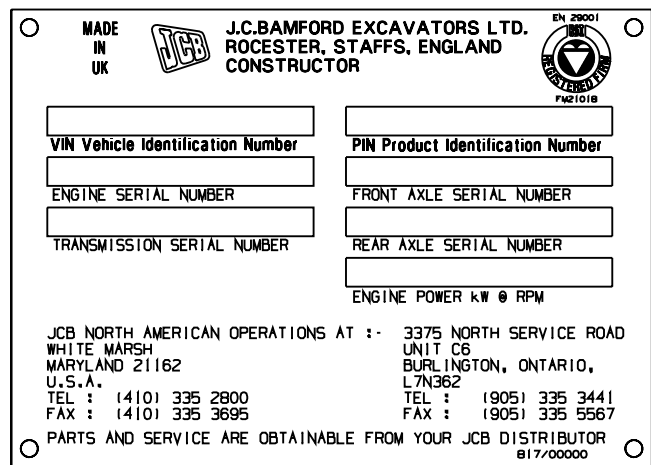
Your machine has an identification plate mounted on the loader tower. The serial numbers of the machine and its major units are stamped on the plate.

The serial number of each major unit is also stamped on the unit itself. If a major unit is replaced by a new one, the serial number on the identification plate will be wrong. Either stamp the new number of the unit on the identification plate, or simply stamp out the old number. This will prevent the wrong unit number being quoted when replacement parts are ordered.

The machine and engine serial numbers can help identify exactly the type of equipment you have.



U.K. and R.O.W.



North America

A246740

### Typical Vehicle Identification Number (VIN)

SLP 3CX T S V E 930000  
**A B C D E F G**

- A** World Manufacturer Identification
- B** Machine Model
- C** Steer Type (T= 2WS, F=4WS)
- D** Build Type (S=Sideshift, C=Centremount, L=Loader)
- E** Year of Manufacture:  
 2 = 2002  
 3 = 2003  
 4 = 2004  
 5 = 2005  
 6 = 2006  
 7 = 2007  
 8 = 2008
- F** Manufacturer Location (E = England)
- G** Product Identification Number (PIN)

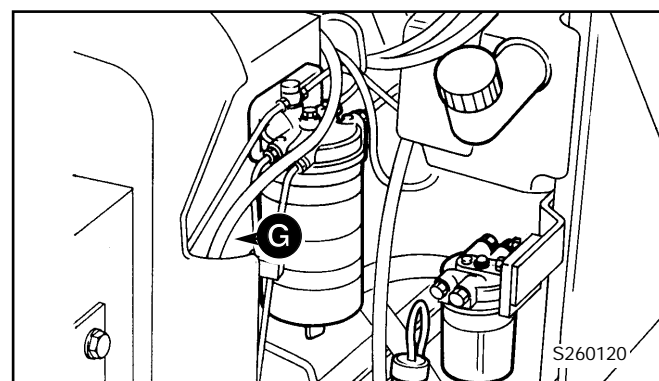
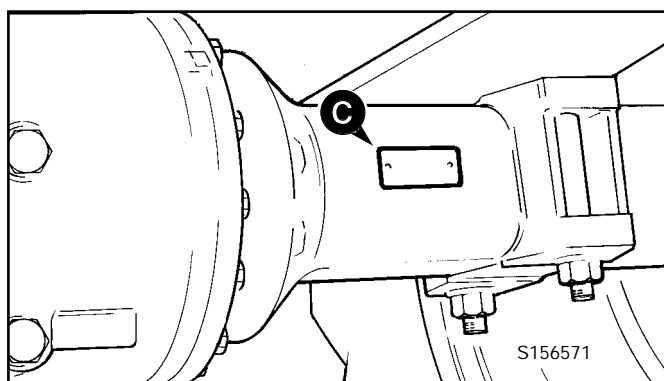
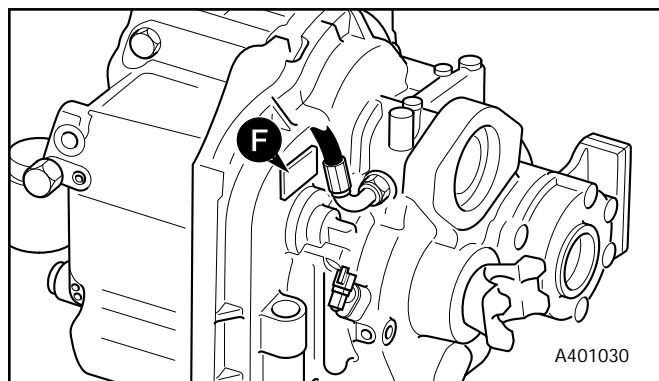
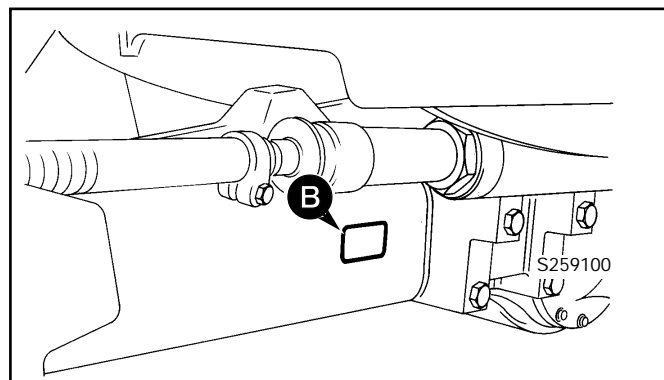
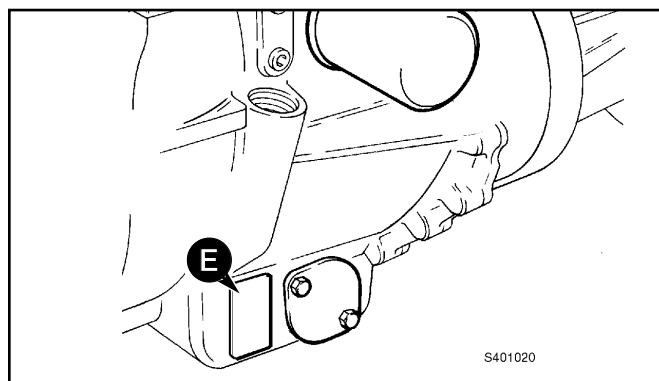
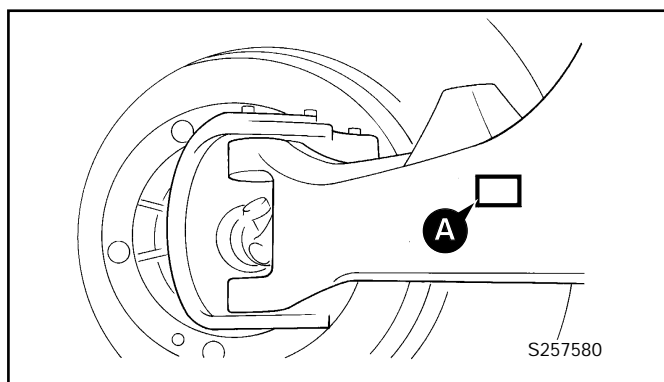
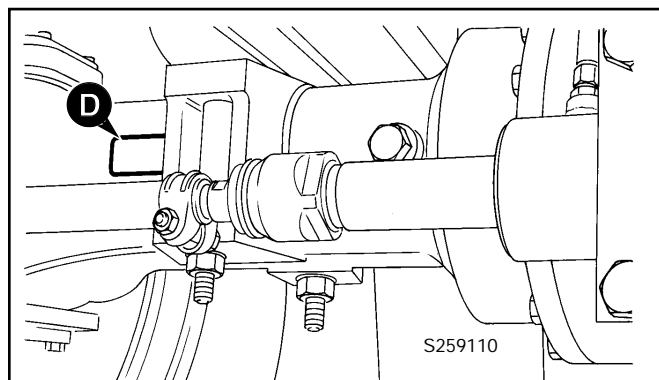
### Typical Engine Identification Number

AB 50262 U 500405 P  
**A B C D E**

- A** Engine Type  
 AB = 4 cylinder turbo
- B** Build Number
- C** Country of Origin
- D** Engine Sequence Number
- E** Year of Manufacture

### Serial Plates

- A** Front Axle (2WS machine)
- B** Front Axle (4WS machine)
- C** Rear Axle (2WS machine)
- D** Rear Axle (4WS machine)
- E** Synchro Shuttle Transmission
- F** Powershift Transmission
- G** Engine



## Torque Settings

Use only where no torque setting is specified in the text. Values are for dry threads and may be within three per cent of the figures stated. For lubricated threads the values should be REDUCED by one third.

### UNF Grade 'S' Bolts

Bolt Size in	(mm)	Hexagon (A/F) in	Torque Settings		
			Nm	kgf m	lbf ft
1/4	(6.3)	7/16	14	1.4	10
5/16	(7.9)	1/2	28	2.8	20
3/8	(9.5)	9/16	49	5.0	36
7/16	(11.1)	5/8	78	8.0	58
1/2	(12.7)	3/4	117	12.0	87
9/16	(14.3)	13/16	170	17.3	125
5/8	(15.9)	15/16	238	24.3	175
3/4	(19.0)	11/8	407	41.5	300
7/8	(22.2)	15/16	650	66.3	480
1	(25.4)	11/2	970	99.0	715
1 1/4	(31.7)	1 7/8	1940	198.0	1430
1 1/2	(38.1)	2 1/4	3390	345.0	2500

### Metric Grade 8.8 Bolts

Bolt Size	(mm)	Hexagon (A/F) mm	Torque Settings		
			Nm	kgf m	lbf ft
M5	(5)	8	7	0.7	5
M6	(6)	10	12	1.2	9
M8	(8)	13	28	3.0	21
M10	(10)	17	56	5.7	42
M12	(12)	19	98	10	72
M16	(16)	24	244	25	180
M20	(20)	30	476	48	352
M24	(24)	36	822	84	607
M30	(30)	46	1633	166	1205
M36	(36)	55	2854	291	2105

### Rivet Nut Bolts/Screws

Bolt Size	(mm)	Torque Settings (for steel rivet nuts)		
		Nm	kgf m	lbf ft
M3	(3)	1.2	0.12	0.9
M4	(4)	3.0	0.3	2.0
M5	(5)	6.0	0.6	4.5
M6	(6)	10.0	1.0	7.5
M8	(8)	24.0	2.5	18.0
M10	(10)	48.0	4.9	35.5
M12	(12)	82.0	8.4	60.5

**Note:** All bolts used on JCB machines are high tensile and must not be replaced by bolts of a lesser tensile specification.

## Service Tools Numerical List

	Page No.		Page No.
460/15708	Flow Test Adapter	4 - 13	* 823/10420 Shim Kit - Powershift gearbox,
460/15707	Banjo Bolt	4 - 13	layshaft clutch
1406/0011	Bonded Washer	4 - 7	825/00410 Crowfoot Wrench
1406/0014	Bonded Washer	4 - 7	825/99833 Adapter for 825/00410
1406/0018	Bonded Washer	4 - 7, 13	826/01099 Rivet Nut
1406/0021	Bonded Washer	4 - 6, 4 - 7	826/01101 Rivet Nut
1406/0029	Bonded Washer	4 - 7	826/01102 Rivet Nut
1604/0003	Male Adapter	4 - 7	826/01103 Rivet Nut
1604/0004	Male Adapter	4 - 7, 13	826/01104 Rivet Nut
1604/0006	Male Adapter	4 - 6, 4 - 7	826/01105 Rivet Nut
1604/0008	Adapter	4 - 6	892/00011 Spool Clamp
1606/0003	Male Adapter	4 - 7	892/00041 De-glazing Tool
1606/0004	Male Adapter	4 - 7	892/00047 Adapter
1606/0007	Male Adapter	4 - 7	892/00048 Adapter
1606/0008	Male Adapter	4 - 7	892/00049 Adapter
1606/0009	Male Adapter	4 - 7	892/00051 Adapter
1606/0012	Male Adapter	4 - 6, 4 - 7	892/00055 Blanking Plug
1606/0014	Male Adapter	4 - 7	892/00056 Blanking Plug
1606/0015	Male Adapter	4 - 6, 4 - 7	892/00057 Blanking Plug
1606/0017	Male Adapter	4 - 7	892/00058 Blanking Plug
1612/0006	Adapter	4 - 6	892/00059 Blanking Plug
2401/0222	O-ring	4 - 13	892/00060 Blanking Plug
2403/0110	O-ring	4 - 13	892/00071 Male Adapter
2403/0108	O-ring	4 - 13	892/00074 Female Connector
4101/0651	Retainer (High Strength)	5 - 1	892/00075 Female Connector
4101/0250	Threadlocker and Sealer (10 ml)	5 - 1	892/00076 Female Connector
4101/0251	Threadlocker and Sealer (50 ml)	5 - 1	892/00077 Female Connector
4101/0451	Threadlocker	5 - 1	892/00078 Connector
4102/0502	High Strength Gasketing	5 - 1	892/00137 Micro-Bore Hose 1/4in. BSP, 3 Metres
4102/0551	High Strength Threadlocker	5 - 1	892/00167 Ram Seal Protection Sleeve 90 mm
4102/0933	Clear Silicone Sealant	5 - 1	892/00174 Measuring Cup
4102/1212	Multi-Gasket	5 - 1	892/00179 Bearing Press
4102/1951	Threadseal	5 - 1	892/00180 Seal Fitting Tool
4102/2309	Black Polyurethane Sealant	5 - 1	892/00181 Replacement Plastic Boss
4103/2109	Ultra Fast Adhesive (310ml)	5 - 1	892/00182 Bearing Pad Driver
4104/0251	Activator (Aersol)	5 - 1	892/00223 Hand Pump
4104/0253	Activator (Bottle)	5 - 1	892/00224 Impulse Extractor
4104/1203	Active Wipe 205 (250g)	5 - 1	892/00225 Adapter for Extractor
4104/1206	Active Wipe 205 (30 ml)	5 - 1	892/00253 Pressure Test Kit
4104/1310	Hand Cleaner	4 - 1	892/00255 Pressure Test Adapter
4104/1538	JCB Cleaner & Degreaser	5 - 1	892/00256 Pressure Test Adapter
4104/1557	Cleaner/Degreaser (400 ml)	5 - 1	892/00257 Pressure Test Adapter
4201/4906	Black Primer 206J (30ml)	5 - 1	892/00258 Pressure Test Adapter
816/00017	Adapter	4 - 8	892/00259 Pressure Test Adapter
816/00189	Blanking Cap	4 - 8	892/00260 Pressure Test Adapter
816/00190	Blanking Cap	4 - 8	892/00261 Pressure Test Adapter
816/00193	Blanking Cap	4 - 8	892/00262 Pressure Test 'T' Adapter
816/00196	Blanking Cap	4 - 8	892/00263 Pressure Test 'T' Adapter
816/00197	Blanking Cap	4 - 8	892/00264 Pressure Test 'T' Adapter
816/00294	Blanking Cap	4 - 8	892/00265 Pressure Test 'T' Adapter
816/00439	Male Adapter	4 - 7	892/00268 Flow Monitoring Unit
816/00440	Male Adapter	4 - 7	892/00269 Sensor Head
816/15007	Male Adapter	4 - 7	892/00270 Load Valve
816/15008	Male Adapter	4 - 7	892/00271 Adapter
816/15118	Pressure Test Adapter	4 - 6	892/00272 Adapter
816/20008	Adapter	4 - 6	892/00273 Sensor Head
816/20013	Adapter	4 - 6	892/00274 Adapter
816/50005	Adapter	4 - 8	892/00275 Adapter
816/50043	Adapter	4 - 8	892/00276 Adapter
816/55038	Pressure Test 'T' Adapter	4 - 6	892/00277 Adapter
816/55040	Pressure Test 'T' Adapter	4 - 6	892/00278 Gauge
816/60096	Adapter	4 - 8	892/00279 Gauge



## Service Tools Numerical List

		Page No.			Page No.
* 892/00282	Shunt	4 - 4		Shaft Lock Screw	4 - 13
* 892/00283	Tool Kit Case	4 - 4			
892/00284	Tachometer	4 - 4	892/01078	Synchro Shuttle Gearbox Mainshaft Adjuster	4 - 13
892/00285	Hydraulic Oil Temperature Probe	4 - 4			
892/00286	Surface Temperature Probe	4 - 4			
892/00293	Connector Pipe	4 - 6	892/01076	Synchro Shuttle Support Plate	
892/00294	Connector Pipe	4 - 6		Transfer gear end float setting	4 - 13
892/00298	Fluke Meter	4 - 4	892/01082	Powershift - Assembly Cradle	4 - 17
892/00301	Flow Test Adapter	4 - 10	892/01083	Powershift - Assembly tool, transfer gear	4 - 17
892/00302	Flow Test Adapter	4 - 10			
892/00309	ARV Test Kit	4 - 7	892/01084	Powershift - Transfer gear, bearing assembly	4 - 17
892/00333	Heavy Duty Socket	4 - 11			
892/00334	Ram Seal Fitting Tool	4 - 9	892/01085	Powershift - Seal fitting tool	4 - 17
892/00335	ARV Cartridge Removal Tool	4 - 7	926/15500	Rubber Spacer Blocks	4 - 3
892/00706	Test Probe	4 - 6, 4 - 7	992/04000	Torque Multiplier	4 - 12
892/00812	Drive Coupling Spanner	4 - 10	992/04800	Flange Spanner	4 - 12
892/00817	Heavy Duty Socket	4 - 11	992/07608	Bearing Adapter	4 - 10
892/00818	Heavy Duty Socket	4 - 11	992/07609	Bearing Adapter	4 - 10
892/00819	Heavy Duty Socket	4 - 11	992/07610	Bearing Adapter	4 - 10
892/00822	Splined Bolt Socket	4 - 11	992/07611	Bearing Adapter	4 - 10
892/00836	Lifting Wire Assembly	4 - 19	992/07612	Bearing Adapter	4 - 10
892/00842	Glass Lifter	4 - 2	992/07613	Bearing Adapter	4 - 10
892/00843	Folding Stand	4 - 1	992/09100	Spool Clamp	4 - 8
892/00844	Long Knife	4 - 3	992/09200	Charging Tool	4 - 1
892/00845	Cartridge Gun	4 - 1	992/09300	Ram Spanner	4 - 8
892/00846	Glass Extractor (Handles)	4 - 2	992/09400	Ram Spanner	4 - 8
892/00847	Nylon Spatula	4 - 3	992/09500	Ram Spanner	4 - 8
892/00848	Wire Starter	4 - 2	992/09600	Ram Spanner	4 - 8
892/00849	Braided Cutting Wire	4 - 3	992/09700	Ram Spanner	4 - 8
892/00881	Spool Seal Fitting Tool	4 - 7	992/09900	Ram Spanner	4 - 8
892/00882	Alternator Pulley Socket	4 - 5	992/10000	Ram Spanner	4 - 8
892/00891	Wheel Hub Seal - Fitting Tool	4 - 10	992/12300	12V Mobile Oven	4 - 1
892/00918	Setting Tool Kit	4 - 16	992/12400	Static Oven - 2 Cartridge	4 - 2
892/00920	Flow Test Adapter	4 - 10	992/12600	Static Oven - 6 Cartridge	4 - 2
892/00922	12.2" T/C Alignment Tool	4 - 10	992/12800	Cut-Out Knife	4 - 2
892/00948	Charging Kit	4 - 9	992/12801	"L" Blades	4 - 2
892/00949	Pressure Gauge	4 - 9	993/55700	Direct Glazing Kit	5 - 1
892/00956	Timing Pin	4 - 19	993/59500	Impulse Extractor Adapter	4 - 11
892/00964	Test Point (1/8BSP)	4 - 12	993/68100	Slide Hammer Kit	4 - 3
892/00965	Test Point (3/8BSP)	4 - 12	993/69800	Seal Kit	4 - 6
892/00966	Test Point (1/4BSP)	4 - 12	993/70111	Breakback Torque Wrench	4 - 15
892/01016	Ram Seal Protection Sleeve 25 mm	4 - 9	993/85700	Battery Tester	4 - 4
892/01017	Ram Seal Protection Sleeve 30 mm	4 - 9	7210/0001	Dummy Plug	4 - 5
892/01018	Ram Seal Protection Sleeve 40 mm	4 - 9	7210/0002	Wire Seal (1.4 - 2.2 mm dia.)	4 - 5
892/01019	Ram Seal Protection Sleeve 50 mm	4 - 9	7210/0003	Wire Seal (2.2 - 2.9 mm dia.)	4 - 5
892/01020	Ram Seal Protection Sleeve 50 mm (slew ram)	4 - 9	7212/0001	2 Way Socket Connector	4 - 5
			7212/0002	2 Way Pin Housing	4 - 5
892/01021	Ram Seal Protection Sleeve 60 mm	4 - 9	7212/0003	2 Way Socket Retainer	4 - 5
892/01022	Ram Seal Protection Sleeve 60 mm (slew ram)	4 - 9	7212/0004	2 Way Pin Retainer	4 - 5
			7213/0001	3 Way Socket Connector	4 - 5
892/01023	Ram Seal Protection Sleeve 65 mm	4 - 9	7213/0002	3 Way Pin Housing	4 - 5
892/01024	Ram Seal Protection Sleeve 70 mm	4 - 9	7213/0003	3 Way Socket Retainer	4 - 5
892/01025	Ram Seal Protection Sleeve 75 mm	4 - 9	7213/0004	3 Way Pin Retainer	4 - 5
892/01026	Ram Seal Protection Sleeve 80 mm	4 - 9	7213/0005	3 Way Socket Connector (DT)	4 - 5
892/01027	Piston Seal Assembly Tool	4 - 9	7213/0006	3 Way Pin Housing (DT)	4 - 5
* 892/01033	Electronic Service Tool Kit	4 - 18	7213/0007	3 Way Socket Retainer (DT)	4 - 5
* 892/01096	Speed Sensor Test Harness	4 - 17	7213/0008	3 Way Pin Retainer (DT)	4 - 5
892/01079	Ring Socket Spanner		7214/0001	4 Way Socket Connector	4 - 5
	Mainshaft setting ring	4 - 13	7214/0002	4 Way Pin Housing	4 - 5
892/01080	Ring Socket Spanner		7214/0003	4 Way Socket Retainer	4 - 5
	Layshaft setting ring	4 - 13	7214/0004	4 Way Pin Retainer	4 - 5
892/01077	Synchro Shuttle Gearbox Selector		7216/0001	6 Way Socket Connector	4 - 5

**Service Tools Numerical List**

* 7216/0002	6 Way Pin Housing	4 - 5
* 7216/0003	6 Way Socket Retainer	4 - 5
* 7216/0004	6 Way Pin Retainer	4 - 5
* 7218/0001	8 Way Socket Connector	4 - 5
* 7218/0002	8 Way Pin Housing	4 - 5
7218/0003	8 Way Socket Retainer	4 - 5
7218/0004	8 Way Pin Retainer	4 - 5
7219/0001	10 Way Socket Connector	4 - 5
7219/0002	10 Way Pin Housing	4 - 5
7219/0003	10 Way Socket Retainer	4 - 5
7219/0004	10 Way Pin Retainer	4 - 5
7219/0005	14 Way Socket Connector	4 - 5
7219/0006	14 Way Pin Housing	4 - 5
7219/0007	14 Way Socket Retainer	4 - 5
7219/0008	14 Way Pin Retainer	4 - 5

The following parts are replacement items for kits and would normally be included in the kit numbers quoted on pages 1/3-1 and 1/3-2.

**Service Tools Numerical List****Page No.**

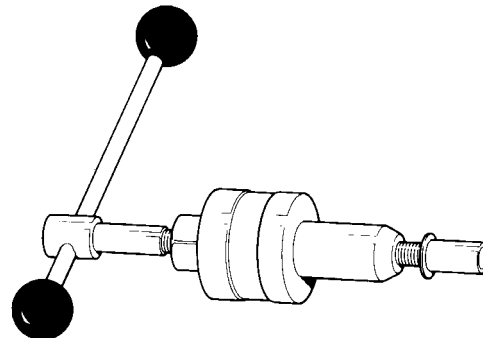
Replacement item for kit no. 892/00180		
892/00181		4 - 9
Replacement items for kit no. 892/00253		
892/00201	Replacement Gauge	4 - 6
892/00202	Replacement Gauge	4 - 6
892/00203	Replacement Gauge	4 - 6
892/00254	Replacement Hose	4 - 6
Replacement items for kit no. 892/00309		
892/00340	Test Block Body	4 - 7
892/00341	Setting Body	4 - 7
892/00343	Spanner	4 - 7
892/00345	Anti-Cavitation Lock Out Bung	4 - 7
993/68300	Adjusting Pin	4 - 7
Replacement items for kit no. 993/68100		
993/68101	Slide Hammer	4 - 3
993/68102	End Stops	4 - 3
993/68103	Adaptor - M20 x 5/8" UNF	4 - 3
993/68104	Adaptor - M20 x 1" UNF	4 - 3
993/68105	Adaptor - M20 x M20	4 - 3
993/68106	Adaptor - M20 x M24	4 - 3
993/68107	Bar - M20 x M20 X 800MM	4 - 3
993/68108	Adaptor - M20 x 7/8" UNF	4 - 3
993/68109	Adaptor - M20 x M12	4 - 3
993/68110	Adaptor - M20 x 5/8" UNF (Shoulder)	4 - 3
993/68111	Adaptor - M20 x 1/2" UNF	4 - 3

**Service Tools (cont'd)**

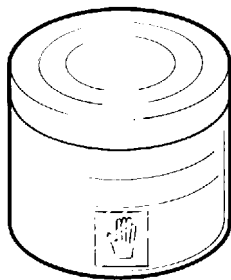
**Section B - Body & Framework**

- 826/01099 M6 x 16mm Rivet Nut
- 826/01101 M6 x 19mm Rivet Nut
- 826/01103 M8 x 18mm Rivet Nut
- 826/01102 M8 x 21mm Rivet Nut
- 826/01104 M10 x 23mm Rivet Nut
- 826/01105 M10 x 26mm Rivet Nut

Installation Tool Available from:  
 Bollhoff Fastenings Ltd.  
 Midacre  
 The Willenhall Estate  
 Rose Hill  
 Willenhall  
 West Midlands, WV13 2JW



S261210



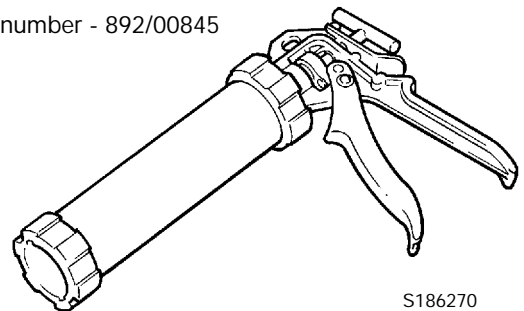
**Hand Cleaner** - special blend for the removal of polyurethane adhesives.

JCB part number - 4104/1310  
 (454g; 1 lb tub)

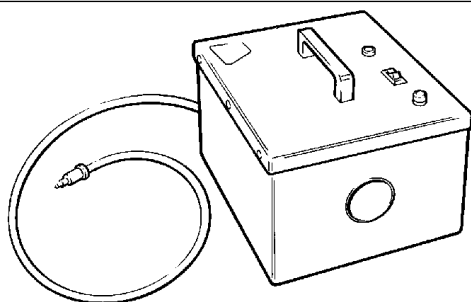
S186240

**Cartridge Gun** - hand operated - essential for the application of sealants, polyurethane materials etc.

JCB part number - 892/00845



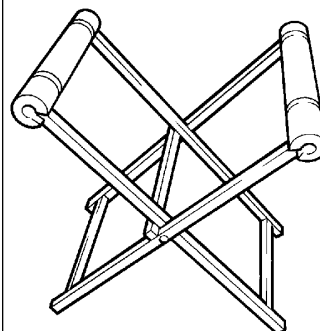
S186270



**12V Mobile Oven** - 1 cartridge capacity - required to pre-heat adhesive prior to use. It is fitted with a male plug (703/23201) which fits into a female socket (715/04300).

JCB part number - 992/12300

S186250



**Folding Stand for Holding Glass** - essential for preparing new glass prior to installation.

JCB part number - 892/00843

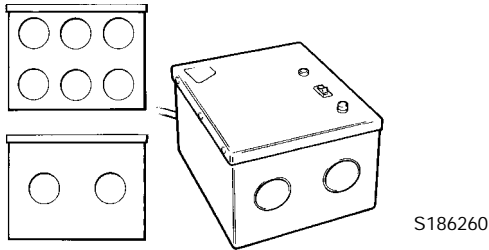
S186280

**Service Tools (cont'd)**

**Section B - Body & Framework**

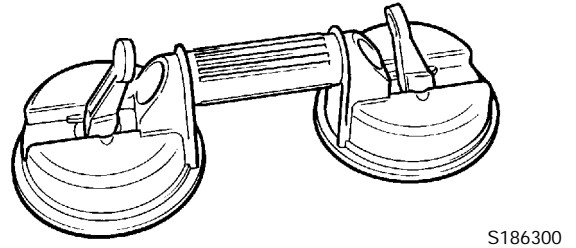
**240V Static Oven** - available with 2 or 6 cartridge capacity - required to pre-heat adhesive prior to use. No plug supplied. Note: 110V models available upon request - contact JCB Technical Service.

JCB part number:  
992/12400 - 2 Cartridge x 240V  
992/12600 - 6 Cartridge x 240V

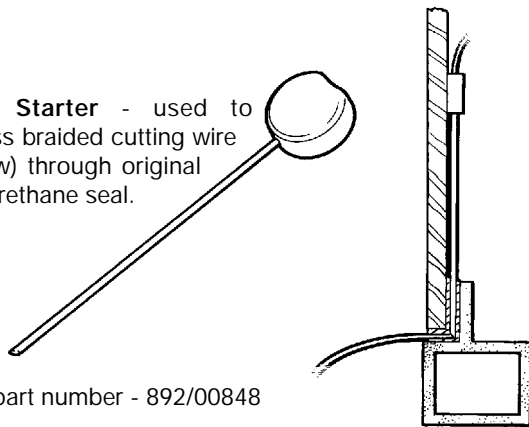


**Glass Lifter** - minimum 2 off - essential for glass installation, 2 required to handle large panes of glass. Ensure suction cups are protected from damage during storage.

JCB part number - 892/00842

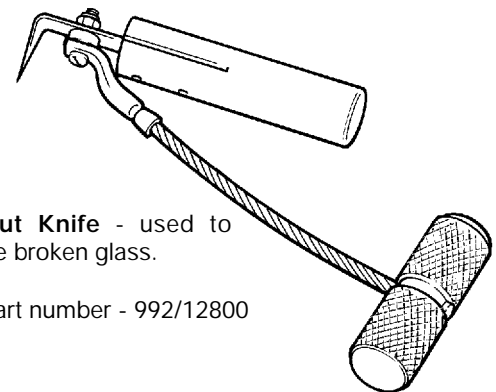


**Wire Starter** - used to access braided cutting wire (below) through original polyurethane seal.



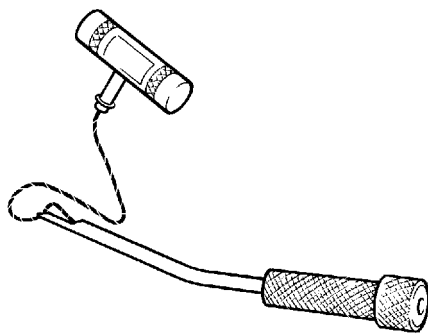
**Cut-Out Knife** - used to remove broken glass.

JCB part number - 992/12800



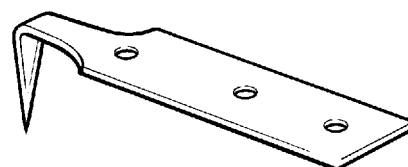
**Glass Extractor (Handles)** - used with braided cutting wire (below) to cut out broken glass.

JCB part number - 892/00846



**'L' Blades** - 25 mm (1 in) cut - replacement blades for cut-out knife (above).

JCB part number - 992/12801 (unit quantity = 5 off)

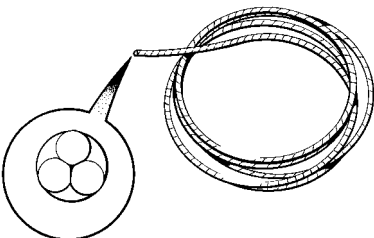


Service Tools (cont'd)

Section B - Body & Framework

**Braided Cutting Wire** - consumable heavy duty cut-out wire used with the glass extraction tool (above).

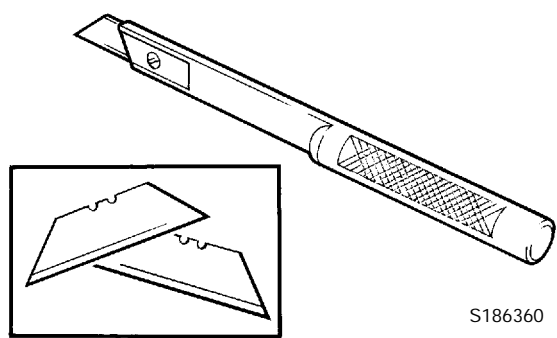
JCB part number - 892/00849  
(approx 25 m length)



S186330

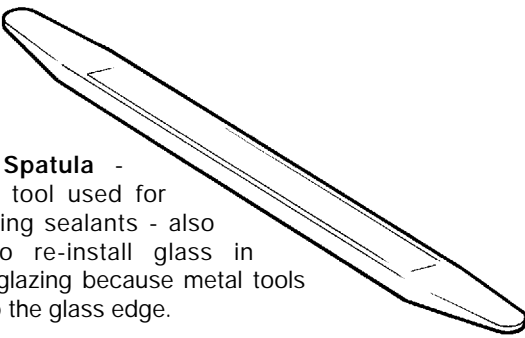
**Long Knife** - used to give extended reach for normally inaccessible areas.

JCB part number - 892/00844



S186360

**Nylon Spatula** - general tool used for smoothing sealants - also used to re-install glass in rubber glazing because metal tools will chip the glass edge.

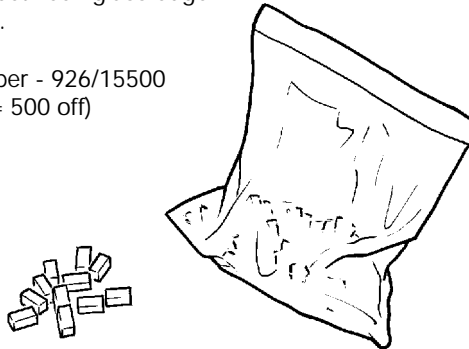


JCB part number - 892/00847

S186470

**Rubber Spacer Blocks** - used to provide the correct set clearance between glass edge and cab frame.

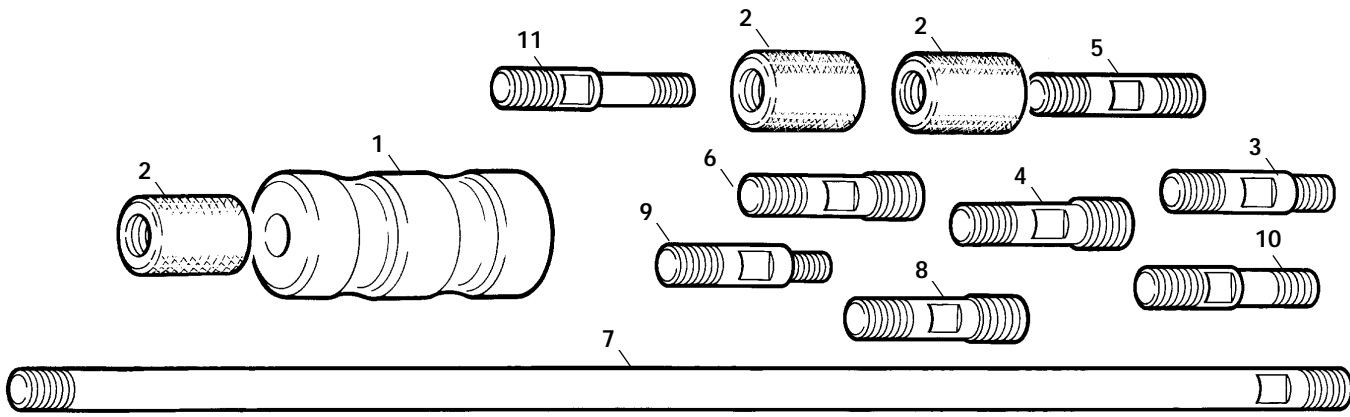
JCB part number - 926/15500  
(unit quantity = 500 off)



S186550

**Slide Hammer Kit - 993/68100**

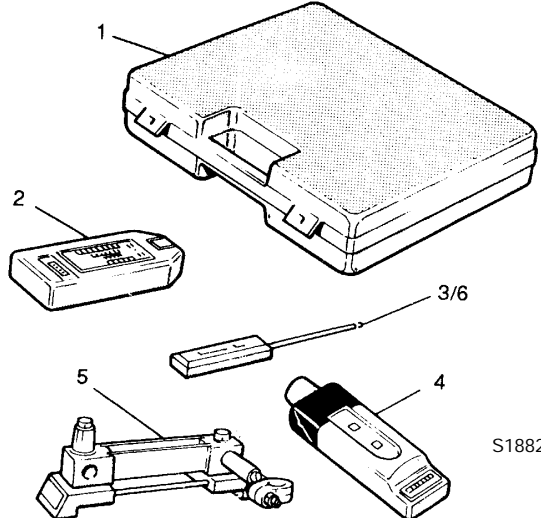
1 :993/68101	Slide Hammer	6 :993/68106	Adaptor - M20 x M24
2 :993/68102	End Stops	7 :993/68107	Bar - M20 x M20 X 800MM
3 :993/68103	Adaptor - M20 x 5/8" UNF	8 :993/68108	Adaptor - M20 x 7/8" UNF
4 :993/68104	Adaptor - M20 x 1" UNF	9 :993/68109	Adaptor - M20 x M12
5 :993/68105	Adaptor - M20 x M20	10 :993/68110	Adaptor - M20 x 5/8" UNF (Shoulder)
		11 :993/68111	Adaptor - M20 x 1/2" UNF



S196910

Service Tools (cont'd)

Section C - Electrics

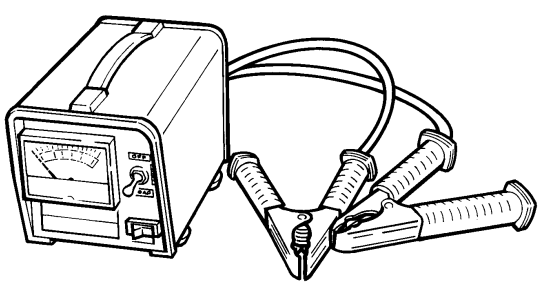


AVO Test Kit

1	892/00283	Tool Kit Case
2	892/00298	Fluke Meter 85
3	892/00286	Surface Temperature Probe
4	892/00284	Venture Microtach Digital Tachometer
5	892/00282	100 amp Shunt - open type
6	892/00285	Hydraulic Temperature Probe

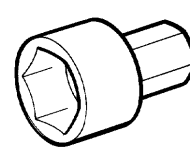
S188231

993/85700 Battery Tester



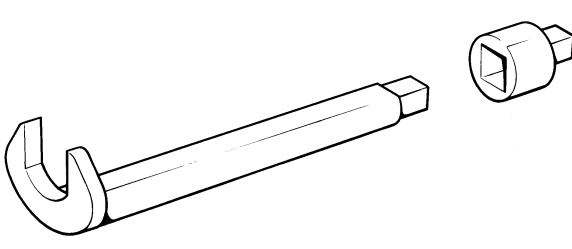
S239510

892/00882 Socket for Alternator Pulley Nut



S216770

825/00410 15 mm Crowfoot Wrench  
825/99833 Adapter



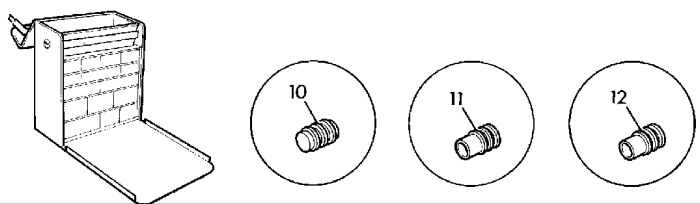
S216200

Service Tools (cont'd)

Section C - Electrics

1	Electrical Repair Kit	6A :7216/0002	6 Way Pin Housing
2A :7212/0002	2 Way Pin Housing	6B :7216/0004	6 Way Pin Retainer
2B :7212/0004	2 Way Pin Retainer	6C :7216/0003	6 Way Socket Retainer
2C :7212/0003	2 Way Socket Retainer	6D :7216/0001	6 Way Socket Connector
2D :7212/0001	2 Way Socket Connector	7A :7218/0002	8 Way Pin Housing
3A :7213/0002	3 Way Pin Housing	7B :7218/0004	8 Way Pin Retainer
3B :7213/0004	3 Way Pin Retainer	7C :7218/0003	8 Way Socket Retainer
3C :7213/0003	3 Way Socket Retainer	7D :7218/0001	8 Way Socket Connector
3D :7213/0001	3 Way Socket Connector	8A :7219/0002	10 Way Pin Housing
4A :7213/0006	3 Way Pin Housing (DT)	8B :7219/0004	10 Way Pin Retainer
4B :7213/0008	3 Way Pin Retainer (DT)	8C :7219/0003	10 Way Socket Retainer
4C :7213/0007	3 Way Socket Retainer (DT)	8D :7219/0001	10 Way Socket Connector
4D :7213/0005	3 Way Socket Connector (DT)	9A :7219/0006	14 Way Pin Housing
5A :7214/0002	4 Way Pin Housing	9B :7219/0008	14 Way Pin Retainer
5B :7214/0004	4 Way Pin Retainer	9C :7219/0007	14 Way Socket Retainer
5C :7214/0003	4 Way Socket Retainer	9D :7219/0005	14 Way Socket Connector
5D :7214/0001	4 Way Socket Connector	10 :7210/0001	Dummy Plug
		11 :7210/0002	Wire Seal (1.4 - 2.2 mm dia.)
		12 :7210/0003	Wire Seal (2.2 - 2.9 mm dia.)

1



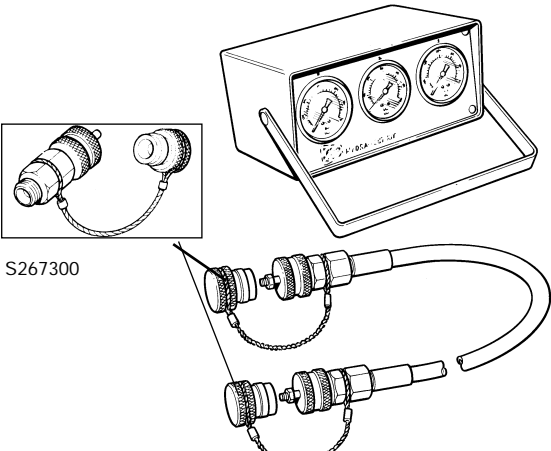
		A	B	C	D
2					
3					
4					
5					
6					
7					
8					
9					

S188380



Service Tools (cont'd)

Section E - Hydraulics

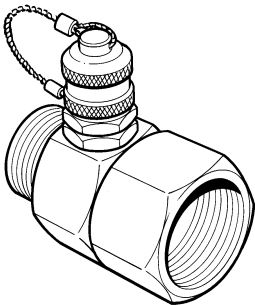


Hydraulic Circuit Pressure Test Kit

892/00253	Pressure Test Kit
:892/00201	Replacement Gauge 0-20 bar (0-300 lbf/in <sup>2</sup> )
:892/00202	Replacement Gauge 0-40 bar (0-600 lbf/in <sup>2</sup> )
:892/00203	Replacement Gauge 0-400 bar (0-6000 lbf/in <sup>2</sup> )
:892/00254	Replacement Hose
993/69800	Seal Kit for 892/00254 (can also be used with probe 892/00706)
892/00706	Test Probe

S267300

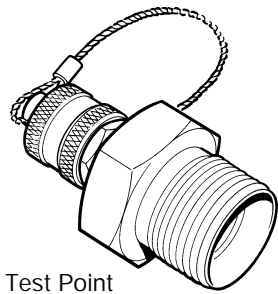
S188121



S188131

Pressure Test 'T' Adapters

892/00262	1/4 in M BSP x 1/4 in F BSP x Test Point
816/55038	3/8 in M BSP x 3/8 in F BSP x Test Point
816/55040	1/2 in M BSP x 1/2 in F BSP x Test Point
892/00263	5/8 in M BSP x 5/8 in F BSP x Test Point
892/00264	3/4 in M BSP x 3/4 in F BSP x Test Point
892/00265	1 in M BSP x 1 in F BSP x Test Point



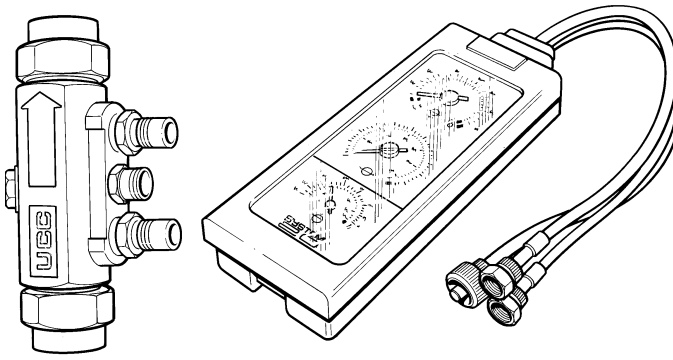
S200141

Pressure Test Adapters

892/00255	1/4 in BSP x Test Point
892/00256	3/8 in BSP x Test Point
892/00257	1/2 in BSP x Test Point
892/00258	5/8 in BSP x Test Point
816/15118	3/4 in BSP x Test Point
892/00259	1 in BSP x Test Point
892/00260	1.1/4 in BSP x Test Point
892/00261	5/8 in UNF x Test Point

Flow Test Equipment

892/00268	Flow Monitoring Unit
892/00269	Sensor Head 0 - 100 l/min (0 - 22 UK gal/min)
892/00293	Connector Pipe
892/00270	Load Valve
1406/0021	Bonded Washer
1604/0006	Adapter 3/4 in M x 3/4 in M BSP
1612/0006	Adapter 3/4 in F x 3/4 in M BSP
892/00271	Adapter 3/4 in F x 5/8 in M BSP
892/00272	Adapter 5/8 in F x 3/4 in M BSP
816/20008	Adapter 3/4 in F x 1/2 in M BSP
892/00275	Adapter 1/2 in F x 3/4 in M BSP
892/00276	Adapter 3/4 in F x 3/8 in M BSP
892/00277	Adapter 3/8 in F x 3/4 in M BSP
892/00273	Sensor Head 0 - 380 l/min
892/00294	Connector Pipe
1606/0015	Adapter 1.1/4 in M BSP x 1 in M BSP
892/00078	Connector 1 in F x 1 in F BSP
1604/0008	Adapter 1 in M x 1 in M BSP
1606/0012	Adapter 1 in M x 3/4 in M BSP
816/20013	Adapter 3/4 in F x 1 in M BSP



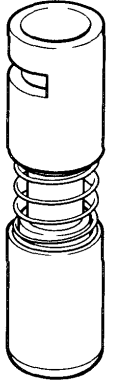
S188151



Service Tools (cont'd)

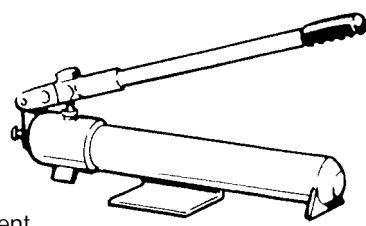
Section E - Hydraulics

892/00881 Valve Spool Seal Fitting Tool



S261220

Hand Pump Equipment



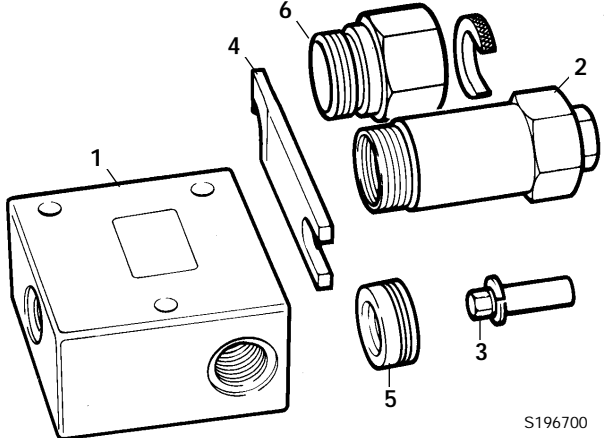
892/00223 Hand Pump  
 892/00137 Micro-bore Hose 1/4 in BSP x 3 metres  
 892/00274 Adapter 1/4 in M BSP x 3/8 in M BSP Taper  
 892/00262 1/4 in M BSP x 1/4 in F BSP x Test Point  
 892/00706 Test Probe  
 892/00278 Gauge 0 - 40 bar (0 - 600 lbf/in<sup>2</sup>)  
 892/00279 Gauge 0 - 400 bar (0 - 6000 lbf/in<sup>2</sup>)

S193850

Components for Valve Block A.R.V. Testing

For 4CX Variable Flow machines use 25/201103


892/00309	A.R.V. Pressure Test Kit
1 : 892/00340	Test Block Body
2 : 892/00341	Setting Body
3 : 993/68300	Adjusting Pin
4 : 892/00343	Spanner
5 : 892/00345	Anti-cavitation Lock Out Bung
6 : 892/00335	A.R.V. Cartridge Removal Tool



S196700

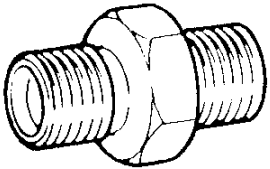
Bonded Washers

1406/0011	1/4 in. BSP
1406/0018	1/2 in. BSP
1406/0014	5/8 in. BSP
1406/0021	3/4 in. BSP
1406/0029	1.1/4 in. BSP



S188140

<p>Male Adapters - BSP x NPT (USA only)</p> <p>816/00439 3/8 in. x 1/4 in.              816/00440 1/2 in. x 1/4 in.              816/15007 3/8 in. x 3/8 in.              816/15008 1/2 in. x 3/8 in.</p>	<p>Male Adapters - BSP x BSP</p> <p>1606/0003 3/8 in. x 1/4 in.              1604/0003 3/8 in. x 3/8 in.              892/00071 3/8 in. x 3/8 in. taper              1606/0004 1/2 in. x 1/4 in.              1606/0007 1/2 in. x 3/8 in.              1604/0004 1/2 in. x 1/2 in.              1606/0017 5/8 in. x 1/2 in.              1606/0008 3/4 in. x 3/8 in.              1606/0009 3/4 in. x 1/2 in.              1604/0006 3/4 in. x 3/4 in.              1606/0012 3/4 in. x 1 in.              1606/0014 3/4 in. x 1.1/4 in.              1606/0015 1 in. x 1.1/4 in.</p>
---	---

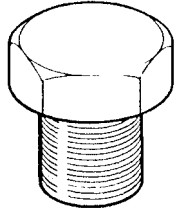


S193860

Service Tools (cont'd)

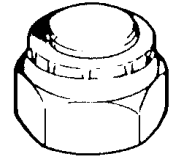
Section E - Hydraulics

Female Cone Blanking Plug  
 892/00055 1/4 in. BSP  
 892/00056 3/8 in. BSP  
 892/00057 1/2 in. BSP  
 892/00058 5/8 in. BSP  
 892/00059 3/4 in. BSP  
 892/00060 1 in. BSP

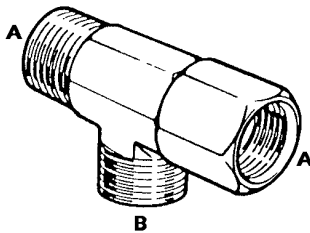


S193870

Male Cone Blanking Cap  
 816/00294 1/4 in. BSP  
 816/00189 3/8 in. BSP  
 816/00190 1/2 in. BSP  
 816/00197 5/8 in. BSP  
 816/00196 3/4 in. BSP  
 816/00193 1 in. BSP

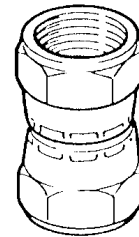


S193880



S193890

892/00047 3/8 in. BSP (A) x 1/4 in. BSP (B)  
 892/00048 1/2 in. BSP (A) x 1/4 in. BSP (B)  
 892/00049 5/8 in. BSP (A) x 1/4 in. BSP (B)  
 816/50043 3/4 in. BSP (A) x 1/4 in. BSP (B)  
 892/00051 1 in. BSP (A) x 1/4 in. BSP (B)  
 816/50005 1/2 in. BSP (A) x 1/2 in. BSP (B)  
 816/60096 3/4 in. BSP (A) x 3/4 in. BSP (B)  
 816/00017 1 in. BSP (A) x 1 in. BSP (B)

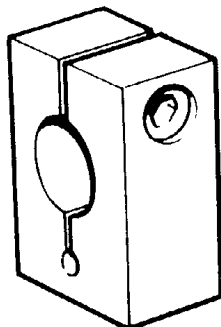


S193900

Female Connectors

892/00074 3/8 in. BSP x 3/8 in. BSP  
 892/00075 1/2 in. BSP x 1/2 in. BSP  
 892/00076 5/8 in. BSP x 5/8 in. BSP  
 892/00077 3/4 in. BSP x 3/4 in. BSP

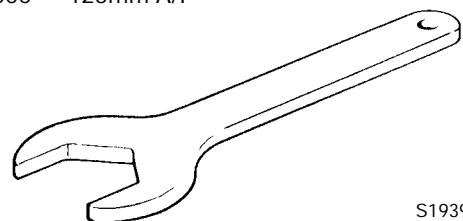
992/09100 Excavator Spool Clamp  
 892/00011 Spool Clamp



S216210

Hexagon Spanners for Ram Pistons and End Caps

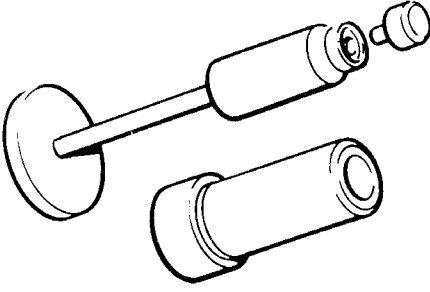
992/09300 55mm A/F  
 992/09400 65mm A/F  
 992/09500 75mm A/F  
 992/09600 85mm A/F  
 992/09700 95mm A/F  
 992/09900 115mm A/F  
 992/10000 125mm A/F



S193930

Service Tools (cont'd)

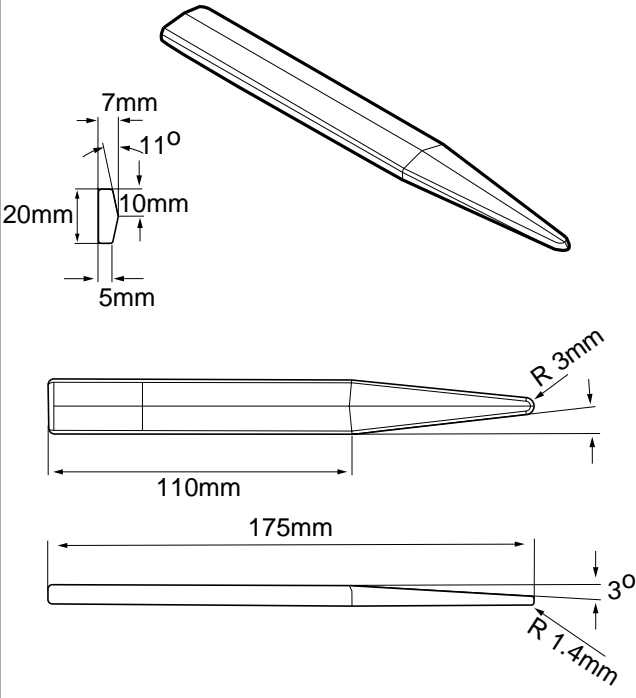
Section E - Hydraulics



S216230

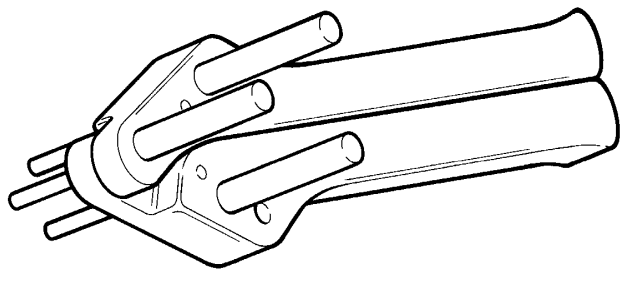
892/00180 Seal Fitting Tool for fitting 'O' ring and kin ring to Hydraulic Steer Unit

892/00181 Replacement Plastic Boss



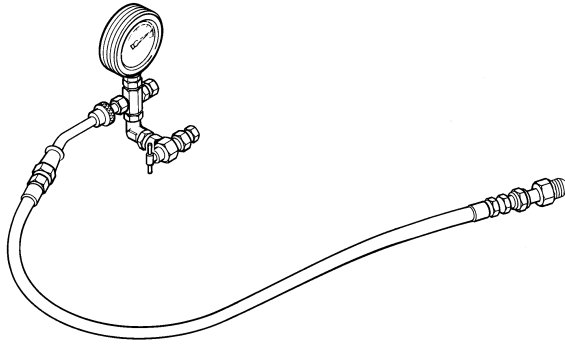
892/01027 Piston Seal Assembly Tool

338500



S216250

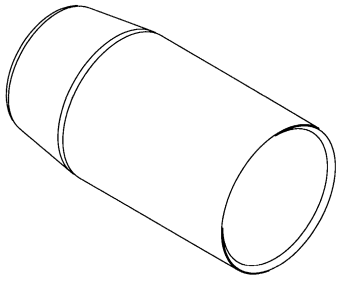
892/00334 Ram Seal Fitting Tool



S308271

892/00948 Charging Kit (without gauge)

892/00949 Gauge



S338410

Ram Seal Protection Sleeves

- 892/01016 For 25 mm Rod Diameter
- 892/01017 For 30 mm Rod Diameter
- 892/01018 For 40 mm Rod Diameter
- 892/01019 For 50 mm Rod Diameter
- 892/01020 For 50 mm Rod Diameter (slew ram)
- 892/01021 For 60 mm Rod Diameter
- 892/01022 For 60 mm Rod Diameter (slew ram)
- 892/01023 For 65 mm Rod Diameter
- 892/01024 For 70 mm Rod Diameter
- 892/01025 For 75 mm Rod Diameter
- 892/01026 For 80 mm Rod Diameter
- 892/00167 For 90 mm Rod Diameter

Service Tools (cont'd)

Section F - Transmission

