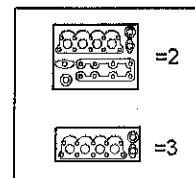
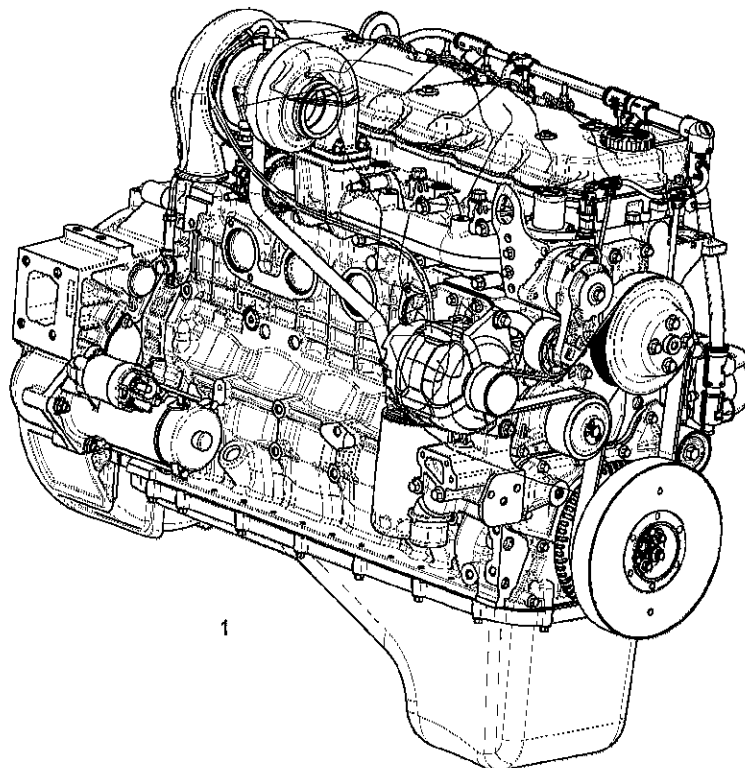




COMPLETE ENGINE

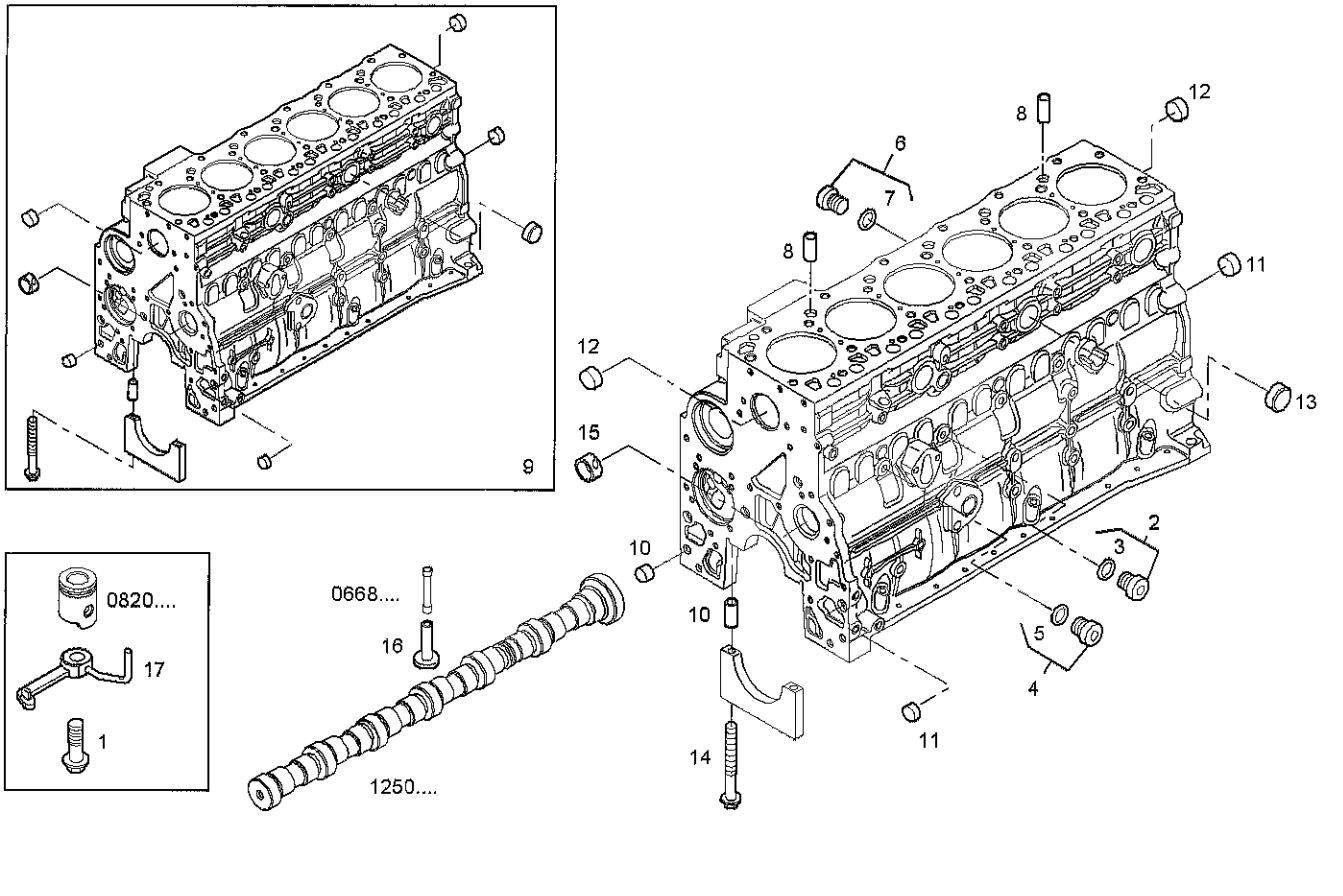
0002.014



Item	Part number	Q.ty	Description	See also	Producer Note
1	504146245	1	ENGINE COMPLETE		
2	8099009	1	KIT-OVERHAL.GASKET		
3	8099010	1	VALVES GRIND SET		

**CRANKCASE**

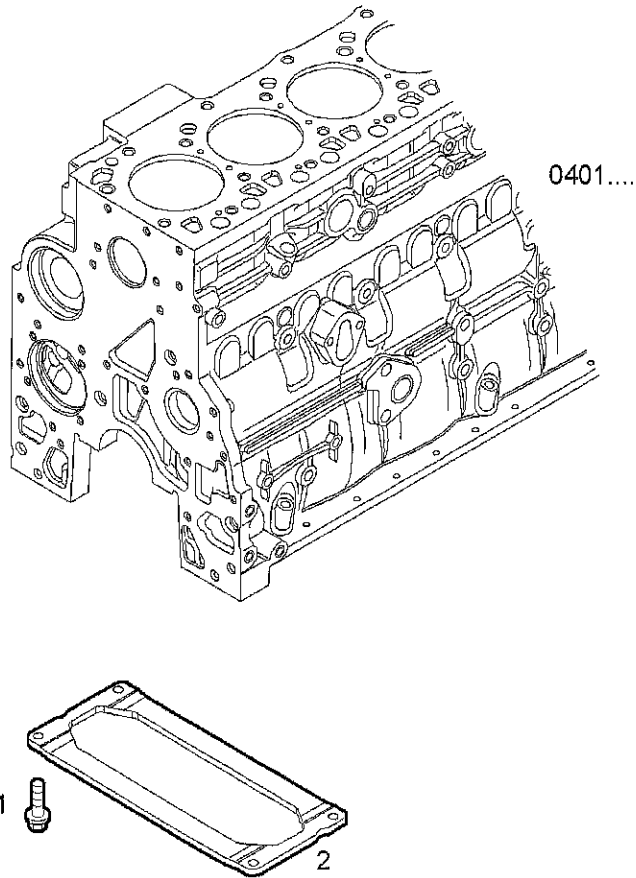
0401.010



Item	Part number	Q.ty	Description	See also	Producer Note
1	4894218	6	SCREW CONNECTOR M8X1.25		
2	4895605	2	PLUG ASSY M14X1,5		
3	4899115	2	O-RING		
4	4899009	2	THREADED PLUG ASSY M10X1		
5	4899072	2	O-RING		
6	4895392	3	THREADED PLUG ASSY M18X1,5		
7	4895393	2	O-RING		
8	4895049	2	DOWEL PIN		
9	2830076	1	CRANKCASE ASSY		
10	4899026	14	DOWEL PIN		
11	4895039	3	PLUG Ø17 MM		
12	4895038	6	PLUG Ø58 MM		
13	4895228	3	PLUG Ø35 MM		
14	4891353	14	HEXAGON BOLT M12X120 MM		
15	4895040	1	CAMSHAFT BEARING		
16	4899803	12	TAPPET		
17	504054307	6	OIL NOZZLE ASSY		

**BEDPLATE**

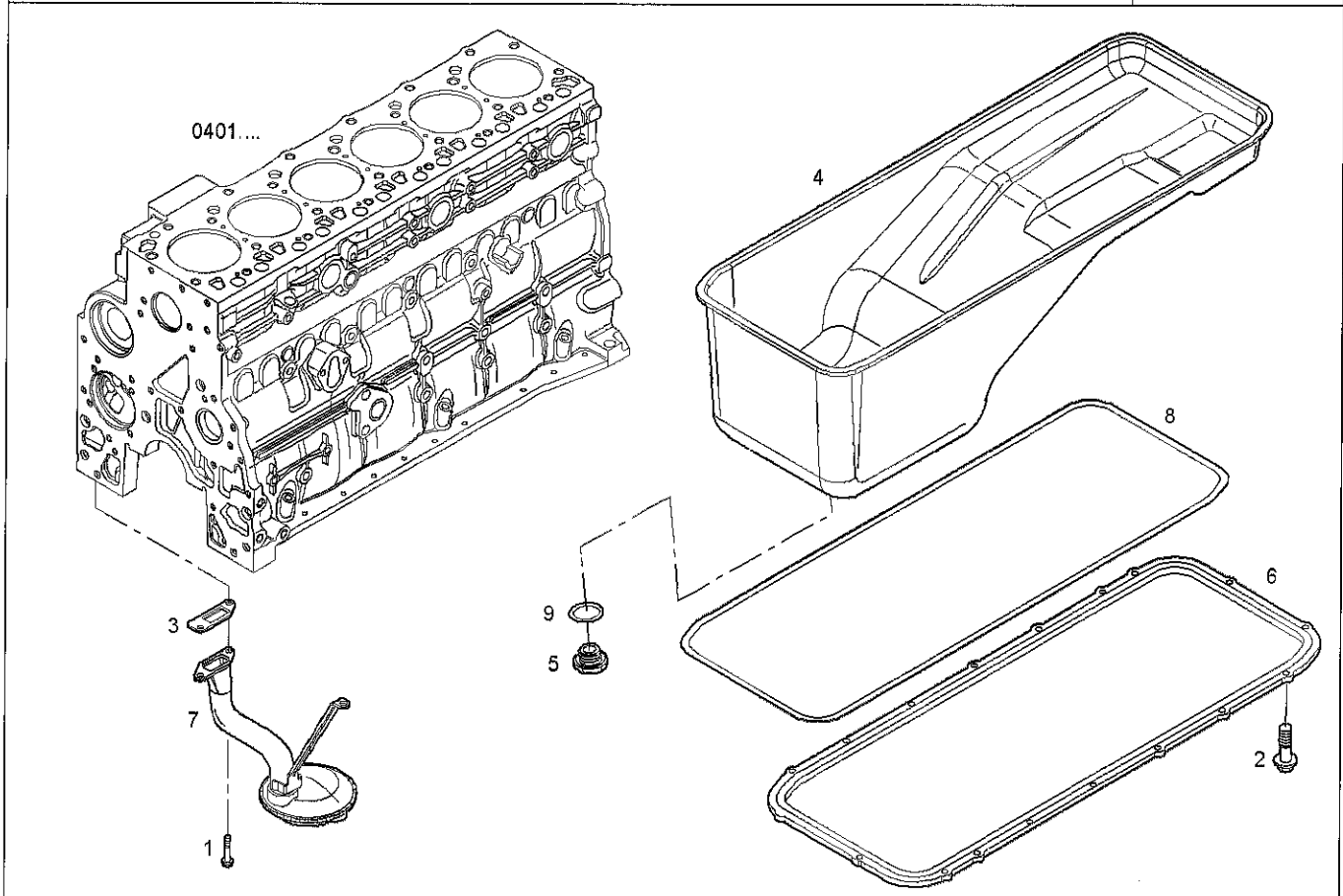
0409.002



Item	Part number	Q.ty	Description	See also	Producer Note
1	4899032	4	HEXAGON BOLT M10X25 MM		
2	504076109	1	STIFFENING PLATE		

OIL SUMP

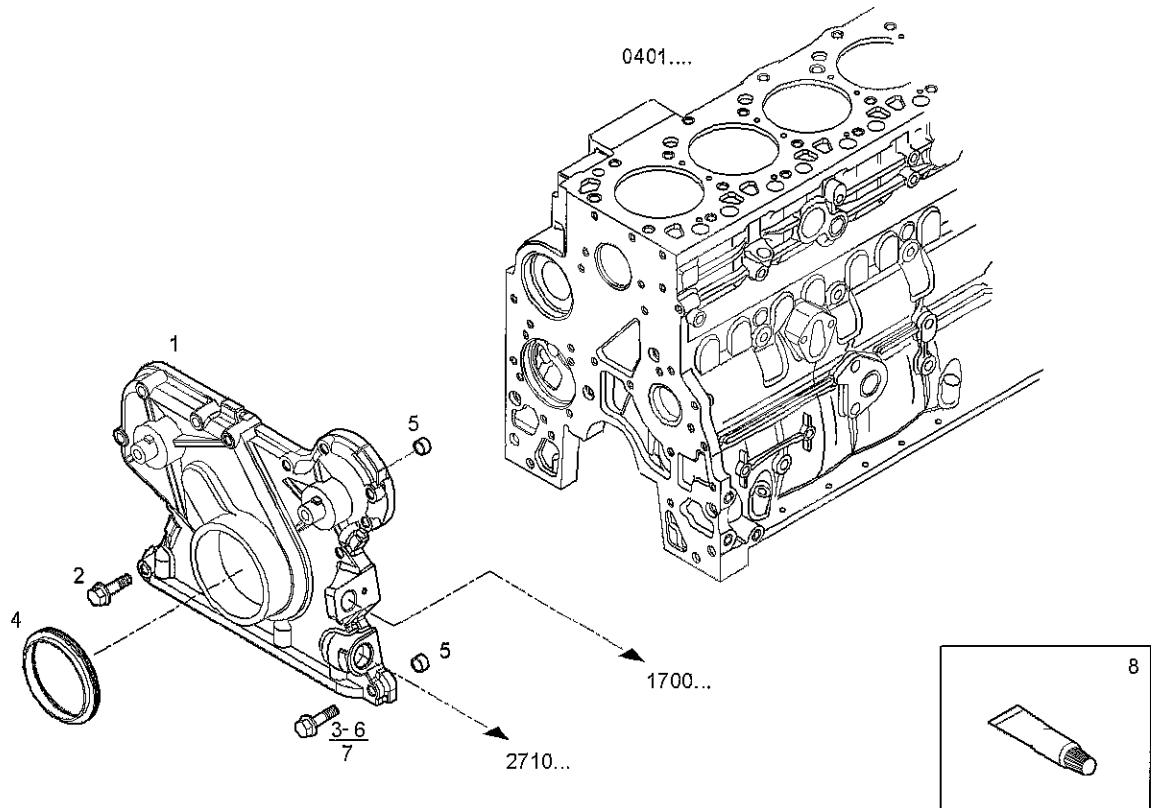
0420.161



Item	Part number	Q.ty	Description	See also	Producer Note
1	16586325	2	HEXAGON BOLT M8X20 MM		
2	4899091	18	HEXAGON BOLT		
3	4898301	1	FLAT ENGINE GASKET		
4	500388254	1	OIL SUMP ASSY		
5	4894139	1	THREADED PLUG M22X1,5		
6	4897858	1	SPACING BAR		
7	500388257	1	SUCTION STRAINER		
8	4897861	1	OIL SUMP GASKET		
9	17282280	1	O-RING Ø2,62X23,47 MM		

FRONT C.CASE COVER

0431.015



Item	Part number	Q.ty	Description	See also	Producer Note
1	4897027	1	FRONT C.CASE COVER		
2	4899078	5	HEXAGON BOLT		
3	4899063	7	HEXAGON BOLT M8X30 MM [UP TO # 22680]		
4	4890832	1	SHAFT SEAL		
5	4891209	2	DOWEL PIN		
6	4899019	1	HEXAGON BOLT M8X35 MM [UP TO # 22680]		
7	4899063	8	HEXAGON BOLT M8X30 MM [FROM # 22681]		
8	2992504	1	ADHESIVE/STICKER LOCTITE		