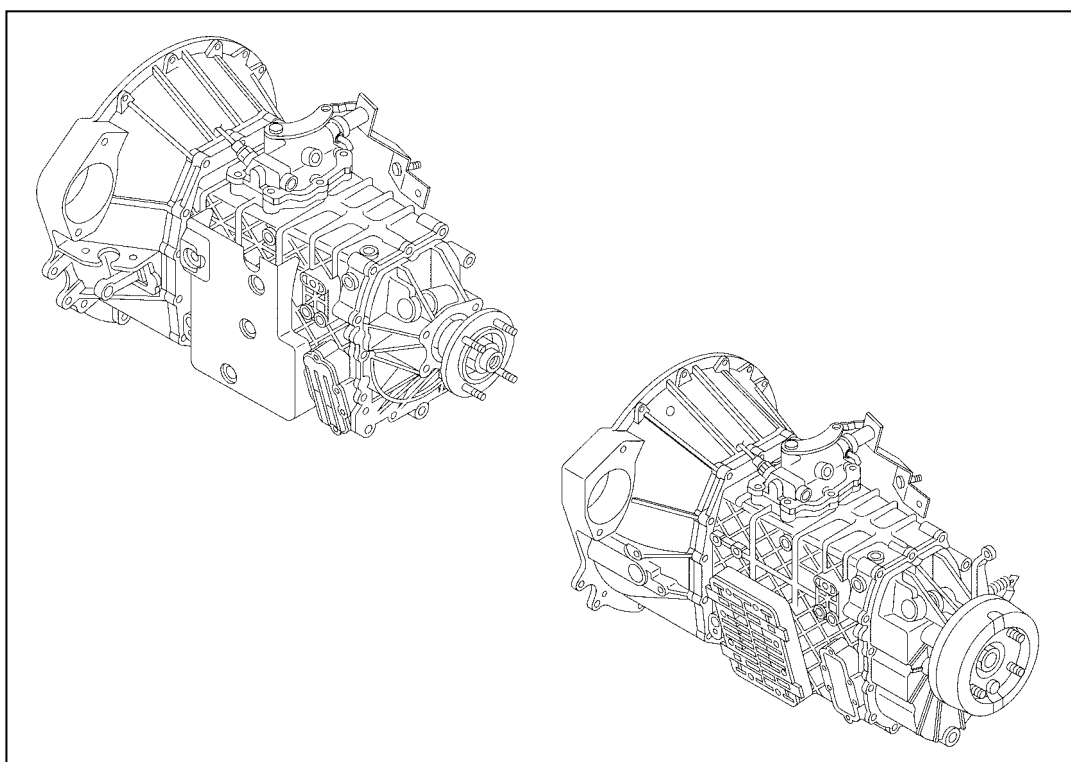


FOR SERVICE TRAINING

MYY & MZZ TYPE TRANSMISSION



Applicable Model

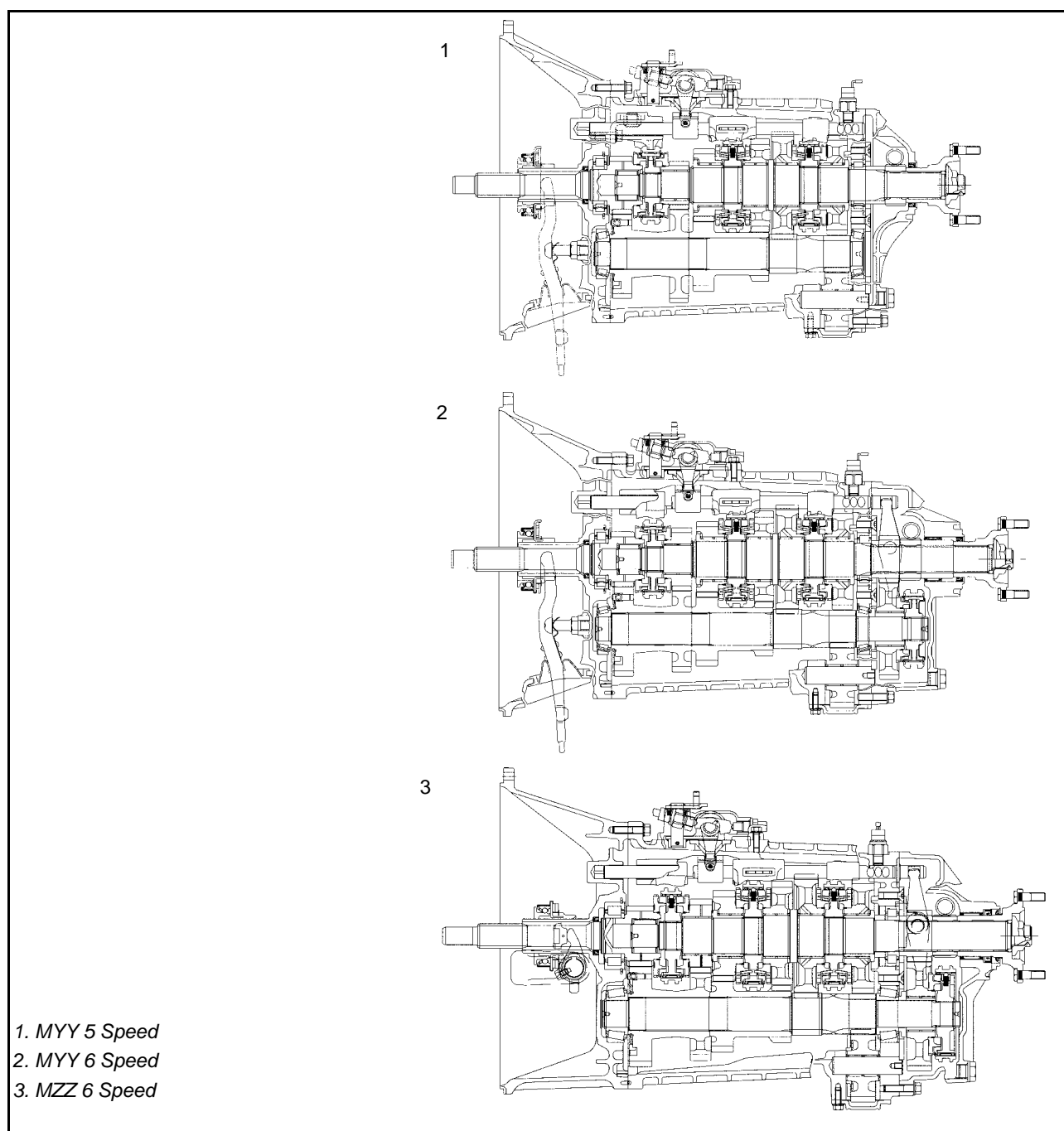
<i>Model Year</i>	<i>Vehicle Model</i>	<i>Destination</i>
2003	N*R	All

ISUZU
ISUZU MOTORS LIMITED

CONTENTS

	<i>Page</i>
INTRODUCTION -----	1
<i>MAIN FEATURES OF MYY & MZZ</i> -----	2
<i>GEAR RATIO</i> -----	3
<i>PTO (POWER TAKE OFF)</i> -----	3
CONSTRUCTION PARTS	
<i>TRANSMISSION CASE (MYY 5 SPEED)</i> -----	5
<i>TRANSMISSION CASE (MYY 6 SPEED)</i> -----	6
<i>TRANSMISSION CASE (MZZ)</i> -----	7
<i>TOP GEAR SHAFT (MYY & MZZ)</i> -----	8
<i>MAIN-SHAFT (MYY 5 SPEED)</i> -----	9
<i>MAIN-SHAFT (MYY 6 SPEED)</i> -----	10
<i>MAIN-SHAFT (MZZ)</i> -----	11
<i>COUNTER-SHAFT (MYY 5 SPEED)</i> -----	12
<i>COUNTER-SHAFT (MYY 6 SPEED & MZZ)</i> -----	12
<i>CONTROL BOX</i> -----	14
<i>GEAR SELECT & SHIFT CONTROL</i> -----	15
<i>INDEX-BALL TYPE SYNCHRONIZER</i> -----	16
<i>DETENT ASSEMBLY</i> -----	17
<i>SPEED METER GEAR</i> -----	17
<i>SECTION VIEW (MYY 5 SPEED)</i> -----	18
<i>SECTION VIEW (MYY 6 SPEED)</i> -----	19
<i>SECTION VIEW (MZZ)</i> -----	20
SERVICING	
<i>OIL LEVEL CHECK</i> -----	21
<i>PROBLEM & INSPECTION</i> -----	22
<i>MEASUREMENT ITEM</i> -----	23
SPECIAL TOOLS -----	26

INTRODUCTION



The 2003 model year vehicle with manual transmission model, MYY & MZZ type transmission has newly adopted instead of MXA & MBP type.

By reason of construction change, transmission weight is reduced and allowable maximum input torque is upped.

The MYY type has mainly employed to 4J series engine which is mounted NHR, NKR or some NPR trucks. And, it has also employed to 4H series engine with low output which is mounted NKR or NPR trucks.

The MZZ type has mainly employed to 4H series engine with high output which is mounted NPR or NQR trucks.

Both type of transmission has very similar features, and construction & operation are nearly same. So that, the service procedures such as overhaul repair will be understood by disassembly either MYY or MZZ .