
ENGINE

Cooling System

TABLE OF CONTENTS

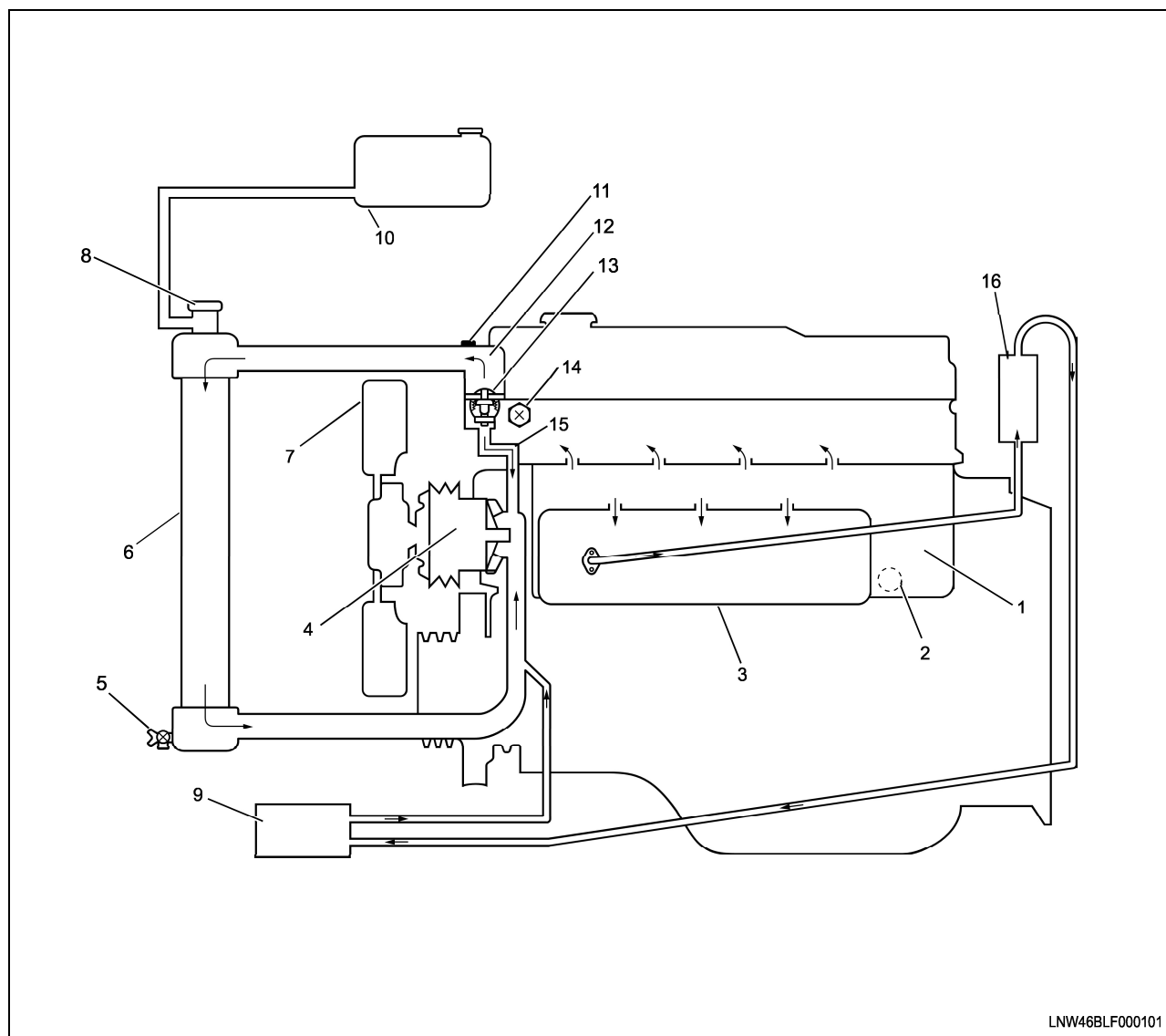
Cooling System	6B-2
Service Precautions	6B-2
Functional check	6B-5
A list of defective phenomena	6B-7
Main Data and Specifications	6B-7
Water Pump	6B-9
Components	6B-9
Removal	6B-10
Inspection	6B-11
Installation	6B-11
Torque Specifications	6B-13
Thermostat	6B-14
Components	6B-14
Removal	6B-14
Inspection	6B-14
Installation	6B-15
Radiator and Intercooler	6B-16
Components	6B-16
Removal	6B-16
Inspection	6B-17
Installation	6B-18
Drive Belt	6B-20
Components	6B-20
Inspection	6B-20
Torque Specifications	6B-22

6B-2 Cooling System**Cooling System****Service Precautions****WARNING:**

Do not remove the radiator cap when the cooling water is at high temperature. Steam or boiling water will gush out and you may be burnt. To open the radiator cap, cover the cap with a thick cloth when the cooling water is cool, release the pressure by slowly turning the cap, and then remove the cap.

Explanations on functions and operation**Cooling water system**

The cooling water system, which is the forced circulation system, consists of a water pump, thermostat, and radiator as its main components. The oil in automatic transmission is cooled due to the cooling water in the radiator.



LNW46BLF000101

Legend

- | | |
|-----------------|-------------------------|
| 1. Water Jacket | 9. Heater Core |
| 2. Drain Plug | 10. Reserve Tank |
| 3. Oil Cooler | 11. Air Bleeding Plug |
| 4. Water Pump | 12. Water Outlet Pipe |
| 5. Drain Cock | 13. Thermostat (2 nos.) |
| 6. Radiator | 14. Thermometer Unit |
| 7. Cooling Fan | 15. Bypass Route |
| 8. Radiator Cap | 16. EGR Cooler |