

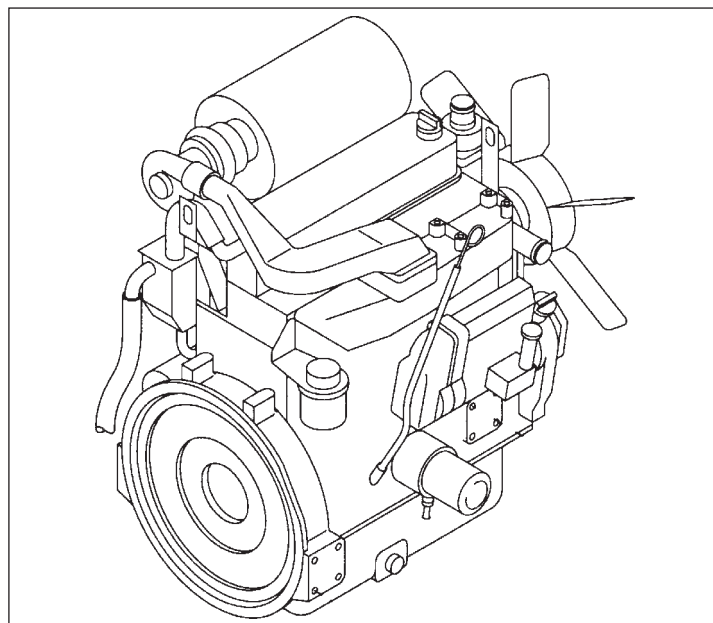
Form No.
917063

Revision B
01/07

ISUZU 4JG1-TPA Engine

(P/N 185187)

**Used in: Gehl CTL70 and
Mustang MTL20 Track Loaders**



ENGINE PARTS MANUAL

Introduction

This manual covers the Isuzu 4JG1-TPA engine (P/N 185187), used in Gehl CTL70 and Mustang MTL20 track loaders.

When ordering service parts, specify the correct part number, full description, quantity required, and the engine model number and serial number.

Items shown that do not have a part number are shown for reference purposes only and are not available for purchase. Part numbers may change. Your Gehl or Mustang dealer will have the latest part number.

Gehl® Company and the Mustang® Manufacturing Co., Inc., reserve the right to make changes or improvements in the design or construction of any part of the unit without incurring the obligation to install such changes on any previously delivered units.

TABLE OF CONTENTS

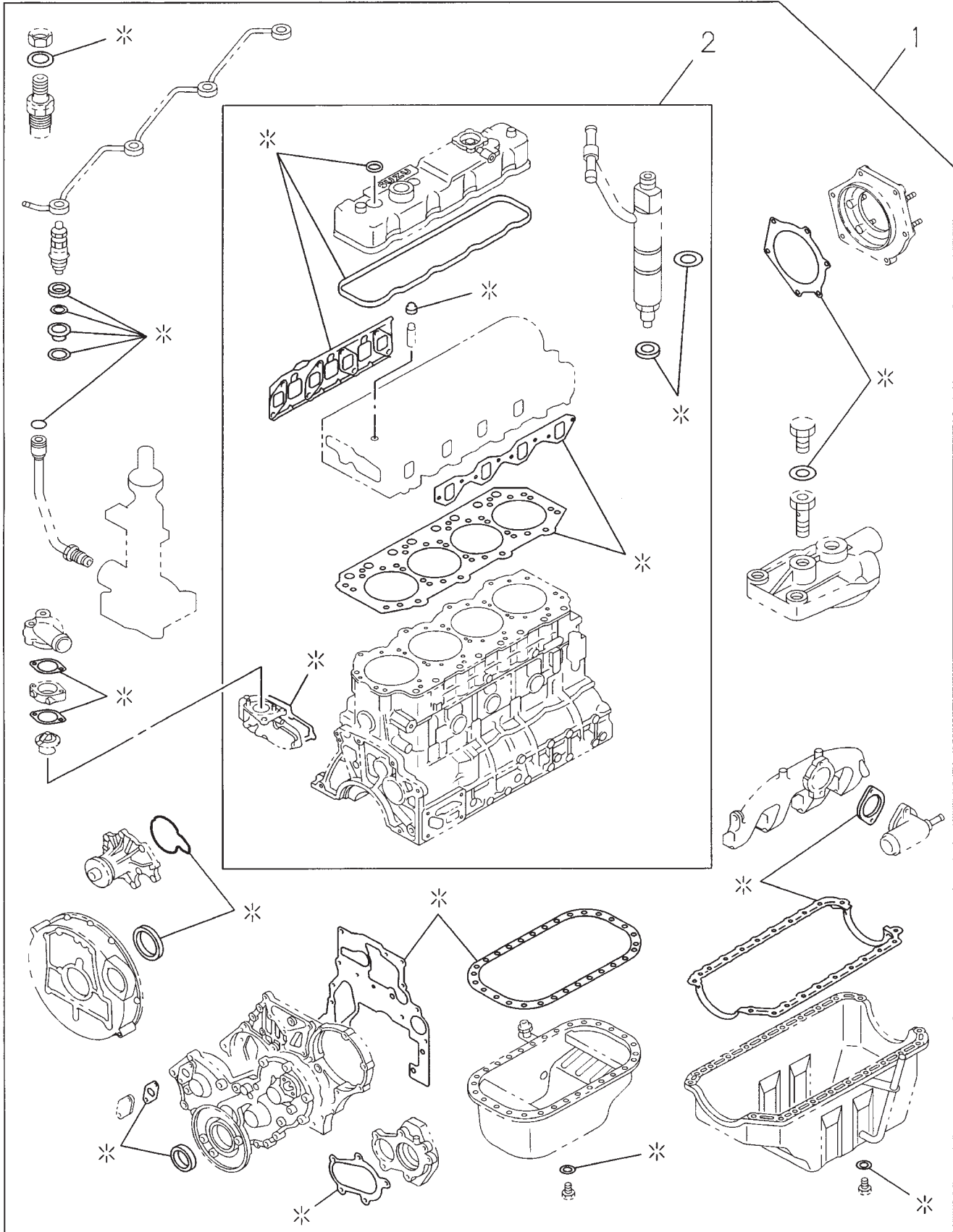
DESCRIPTION

PAGE

ENGINE SERVICE PARTS

| | |
|-------------------------------------------|----|
| Engine Gasket Kit | 1 |
| Cylinder Head | 3 |
| Cylinder Block | 5 |
| Oil Pan and Level Gauge | 7 |
| Camshaft and Valve | 9 |
| Crankshaft, Piston and Flywheel | 11 |
| Gear Case and Flywheel Housing | 13 |
| Engine Mounting | 15 |
| Manifold | 17 |
| Ventilation System | 19 |
| Water Pump | 23 |
| Thermostat and Housing | 25 |
| Fan and Fan Belt | 27 |
| Turbocharger System | 29 |
| Fuel Injection System | 31 |
| Fuel Filter and Bracket | 33 |
| Fuel Pump and Pipe | 35 |
| Oil Cooler and Oil Filter | 37 |
| Oil Pump and Oil Strainer | 39 |
| Oil and Vacuum Piping; Engine | 41 |
| Electrical Control Parts | 43 |
| Starter | 45 |
| Generator | 47 |
| Injection Pump | 49 |
| Governor; Injection Pump | 53 |
| Feed Pump; Injection Pump | 57 |
| Coupling; Injection Pump | 59 |
| Sub Tank | 61 |
| Fuel Tank | 63 |
| Water Sedimenter; Fuel | 65 |
| Numerical Index | 68 |

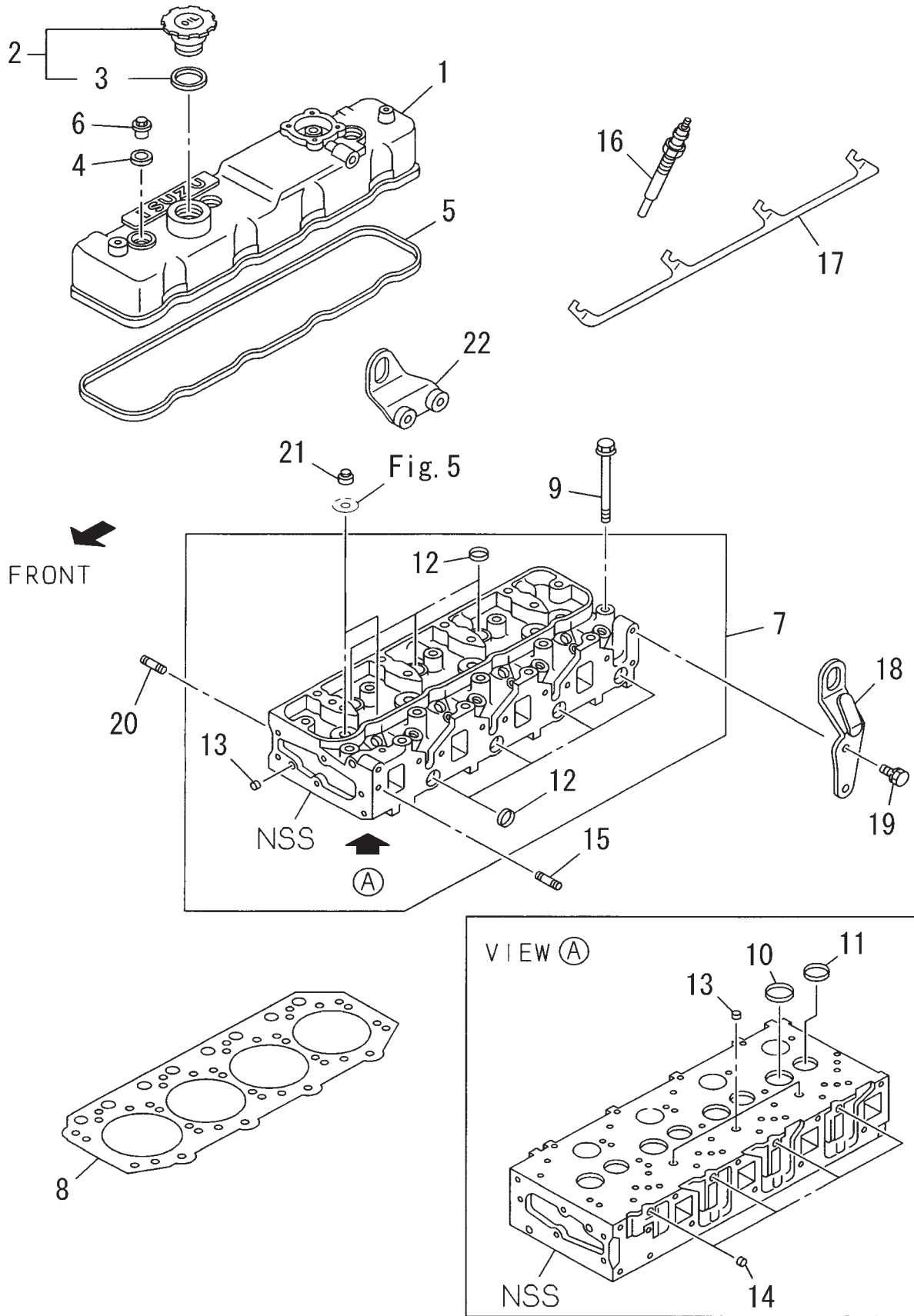
ENGINE GASKET KIT



ENGINE GASKET KIT

| Ref. No. | Part No. | Description | Quantity |
|-----------------|-----------------|---------------------------|-----------------|
| 1 | 182312 | GSKET SET/ENG OVERHAUL | 1 |
| 2 | 182311 | GSKET SET/ENG HD OVERHAUL | 1 |

CYLINDER HEAD



| Ref. No. | Part No. | Description | Quantity |
|----------|-----------|-----------------------|----------|
| 1 | 425-34345 | COVER/CYL HD | 1 |
| 2 | 425-36017 | CAP/OIL FILLER | 1 |
| 3 | 425-35982 | GASKET/OIL FILLER | 1 |
| 4 | 425-34451 | GASKET/HD COVER | 3 |
| 5 | 425-34449 | GASKET/HD TO COVER | 1 |
| 6 | 182340 | NUT/CAP, HD COVER | 3 |
| 7 | 182439 | HEAD ASM/CYL | 1 |
| 8 | 182402 | GASKET/CYL HD | 1 |
| 9 | 182442 | BOLT/CYL HD TO BLOCK | 18 |
| 10 | 182492 | SEAT/VLV INSERT | 4 |
| 11 | 182493 | SEAT/VLV INSERT | 4 |
| 12 | 182471 | CUP/SEALING, CYL HEAD | 7 |
| 13 | 425-34499 | CUP/SEALING, CYL HEAD | 3 |
| 14 | 425-34495 | CUP/SEALING, CYL HEAD | 5 |
| 15 | 425-36071 | STUD/INL MANIF | 2 |
| 16 | 182404 | PLUG/GLOW | 4 |
| 17 | 182328 | CONNECTOR/GLOW PLUG | 1 |
| 18 | 182411 | HANGER/ENG, RR | 1 |
| 19 | 182158 | BOLT/HANGER | 2 |
| 20 | 182397 | STUD/EXH MANIF | 2 |
| 21 | 425-34520 | SEAL/OIL VLV STEM | 8 |
| 22 | 182375 | HANGER/ENG, FRT | 1 |