

H PARTS LIST

SOFTEK® • STEERTEK NXT •
STEERTEK • AIRTEK® for
International Truck Vehicles

LIT NO: SP-182

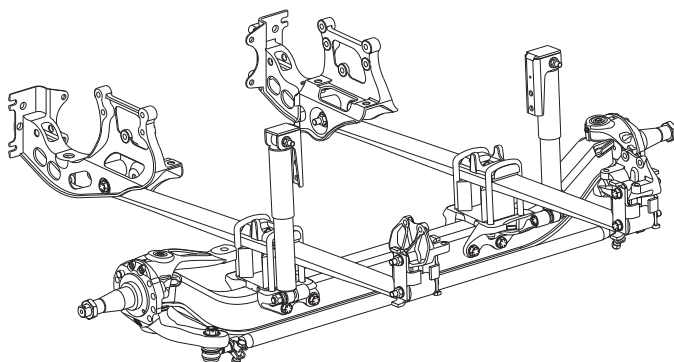
DATE: December 2011

REVISION: D

CONTENTS

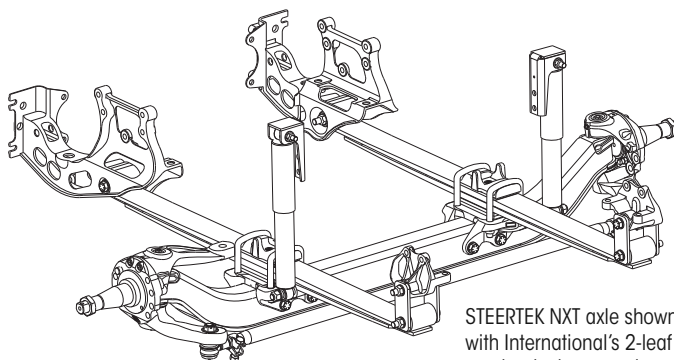
SOFTEK Monoleaf

- Vehicles built with **STEERTEK NXT** axle
AFTER August 1, 2011 2
 - LoneStar - 12.35K
 - ProStar - 12K, 12.35K
 - TranStar - 12K
- Vehicles built with **STEERTEK** axle
PRIOR to August 1, 2011 6
 - LoneStar - 12.35K
 - ProStar - 12K, 12.35K
 - TranStar - 12K
 - 9200 / 9400 / 8600 - 12K



2-Leaf Mechanical Suspension

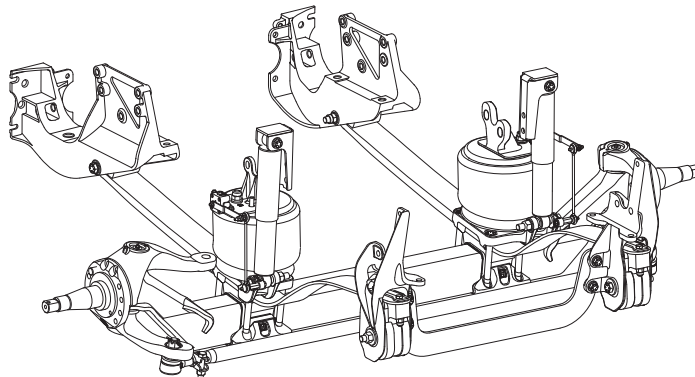
- Vehicles built with **STEERTEK NXT** axle
AFTER August 1, 2011 8
 - ProStar - 12K, 12.35K, 13.2K, 14K, 14.6K
 - TranStar - 12K, 12.35K, 14K
 - LoneStar - 12.35K, 13.2K, 14K, 14.6K
- Vehicles built with **STEERTEK** axle
PRIOR to August 1, 2011 12
 - ProStar - 12K, 12.35K, 13.2K, 14K, 14.6K
 - TranStar - 12K, 13K, 14K
 - LoneStar - 12.35K, 13.2K, 14K, 14.6K
 - 9200 / 9400 / 8600 - 12K



STEERTEK NXT axle shown with International's 2-leaf mechanical suspension

AIRTEK

- New Engine Configuration (NEC)
 Vehicles built **AFTER** 9/06 14
- Prior to New Engine Configuration (PEC)
 Vehicles built **PRIOR** to 9/06 16
- Dual Height Control Valve Conversion Service Kit . . . 18
- PEC Replacement Service Kits Reference 19
- PEC Component Replacement Guide 19



SOFTEK[®] Monoled for International Truck Vehicles



Vehicles built with STEERTEK NXT axle after August 1, 2011

International Truck Models • LoneStar - 12.35K • ProStar - 12K, 12.35K • TranStar - 12K

