

ETACS

Vehicle : All

Chonan Overseas A/S training center

ETACS General information

TACU

ETACS OPTIONAL

ETACS ONLY

ETACS + Anti – theft Function

ETACS Module Function Control Items

Washer and Wiper

INT. Wiper control by Vehicle Speed

Defogger Timer with Out side mirror heated

Room Lamp Delay Out

IGN. Key Hole Illumination

IGN. Key Reminder

Central Door Lock

Seat Belt Warning

Power Window Timer

IGN. Key operated warning

Auto Door Lock - signal from Vehicle Speed Sensor

IGN. Off Unlock Control

Auto Door Unlock - signal from A/BAGCM

Tail Lamp Auto Cut

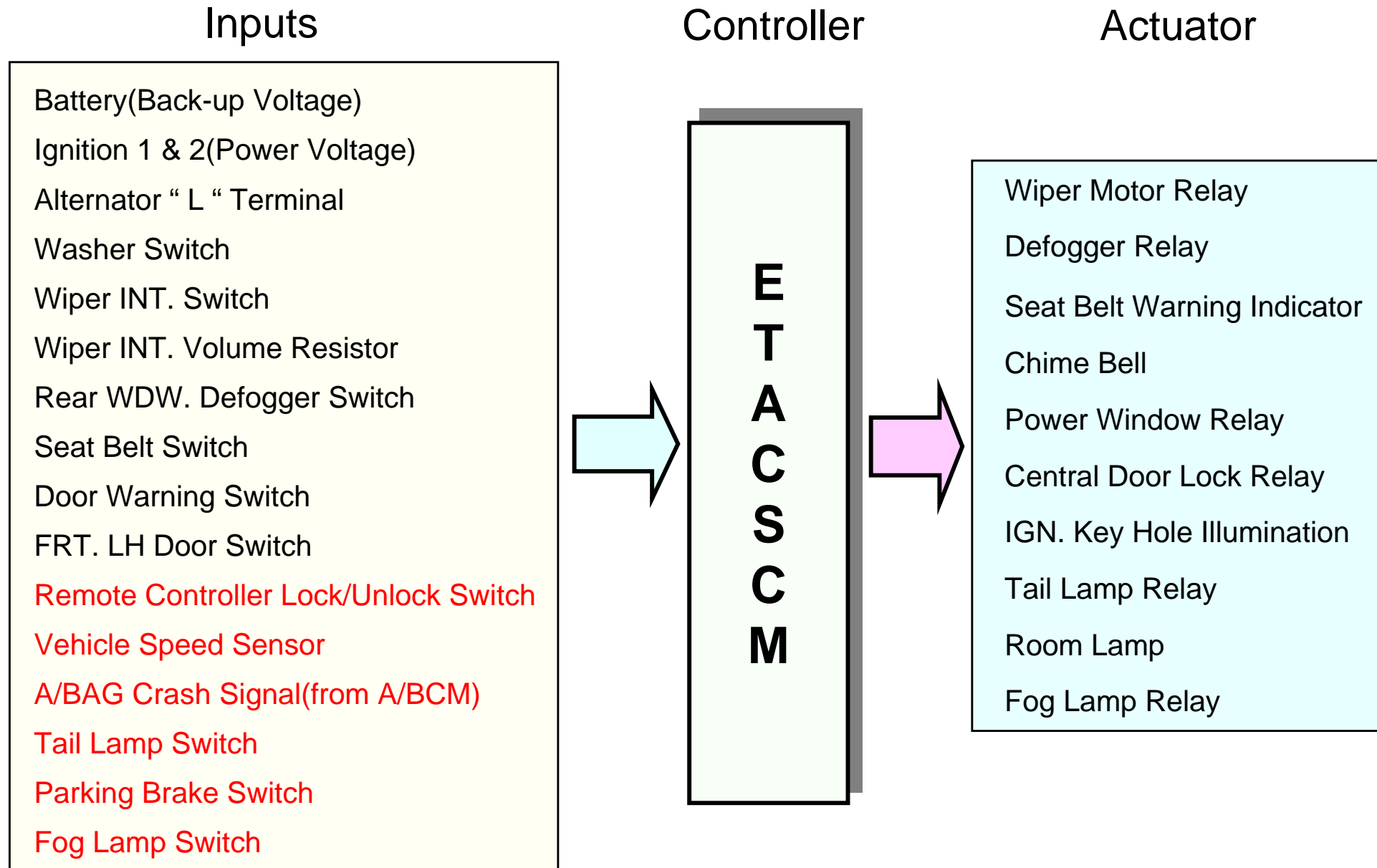
Parking Brake "ON" start Warning

Anti - theft Function & Keyless Entry Function

ETACS FUNCTION COMPARISON

ETACS FUNCRIION		LC	EF	XG	FO	SM	XD	REMARK
E T A C S C M	Washer & Wiper Control	o	o	o	o	o	o	
	Intermittent Wipe Control	o	o				o	: control by VSS
	Park'g Brake Warning start(GEN. only)					o		
	Defogger Time Control	o	o	o	o	o	o	
	Seat Belt Warning Time	o	o	o	o	o	o	
	Room Lamp Delay out & K/less Unlock delay	o	o	o	o		o	:TX Unlock Button receive
	IG. Key Hole Illumination	o	o	o	o	o	o	
	Power Window Timer	o	o	o	o	o	o	
	IG. Key Operated Warning(except EC)	o	o	o	o	o	o	
	IG. Key Reminder	o	o	o	o	o	o	
	Lamp Auto Cut			o	o	o	o	o : control by ETACS CM
	Auto Door Lock(GEN. only)			o	o	o		o : control by VSS
	Auto Door Unlock(GEN. only)							: by shock sensor : by A/BAG CM
	Unlock Control after Key removed(GEN. only)			o		o		
	Rear Fog Lamp Auto Cut Control (EC only)							: control by ETACS CM
	Trunk Room Lamp "ON" maintenance						o	o : for 10 minutes
	Central Door Lock Control(Keyless Entry)	o	o	o	o	o	o	Keyless + Anti-theft function
Anti-theft Function - Arm Function - Disarm Function - Alarm Function	o	o	o	o	o	o	Keyless + Anti-theft function	

ETACS INPUT OUTPUT Diagram

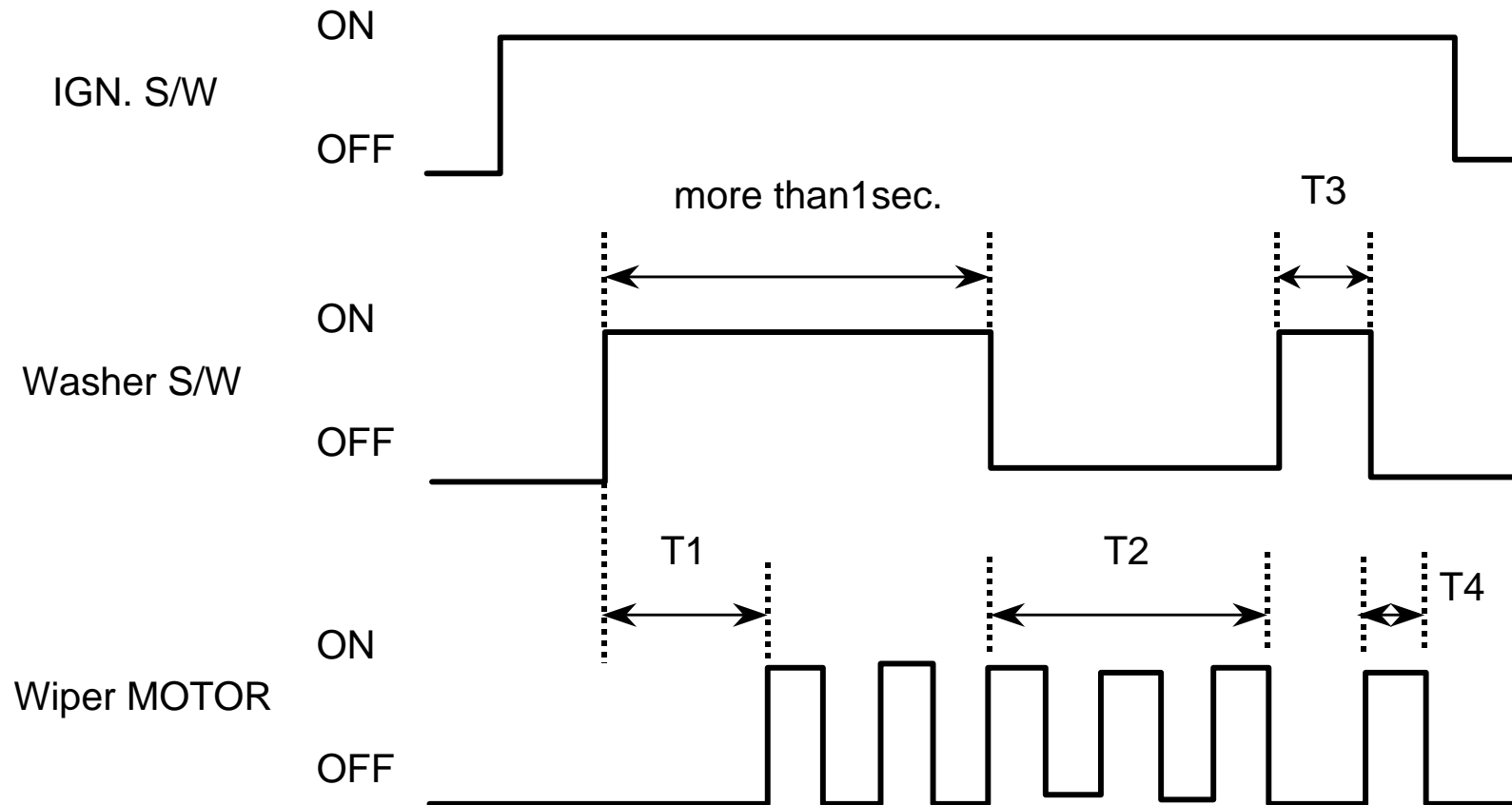


ETACS

FUNCTION

Detail

Washer & Wiper Control



* T1 : 0.6 ± 0.1 sec. * T2 : 2.5~3.8 sec. * T4 : 0.7 ± 0.1 sec. * T3 : 0.2~0.6 sec.(MAX) T4 : MIST FUNCTION

ETACS -- FUNCTION

Washer & Wiper Circuit

