

# SERVICE MANUAL

*R22* 22-7

SER. NO. HY2270001~





# INTRODUCTION

To insure a long life for the machine and the engine and to prevent failure and problems, proper operation, maintenance and repairs are indispensable.

This service manual includes an “outline,” “structure and operation,” “inspection and adjustment,” “disassembly and assembly,” “standard maintenance,” and “repair and replacement of parts” of the machine which are necessary to carry out the inspections and repairs in the repair shop.

We hope that this manual helps you to efficiently and effectively carry out repairs by providing an accurate description of the product and the correct repair techniques.



# CONTENTS

1. Precautions on Maintenance
2. Outline
3. Attachment
4. Engine
5. Main Pump
6. Hydraulic Oil Filter
7. Control Valve
8. Joystick
9. Slew Motor
10. Travel Motor
11. Hydraulic Cylinder
12. Swivel Joint
13. Crawler
14. Spring Case and Grease Cylinder
15. Idler
16. Sprocket
17. Track Roller
18. Electrical Equipment
19. Troubleshooting

# 1 PRECAUTIONS ON MAINTENANCE

## 1. Correct operation

Correct operation means to follow the correct “procedure” and “method.”

Procedure focuses on speed and accuracy of each job.

In the method, are addressed what type of facility, tools, instruments, materials, oil should be used, how and which part should be checked, adjusted or disassembled, and what matters to attend to.

## 2. Precautions on operation

### 1. Safety check

Check that stoppers and sleepers are correctly installed for the vehicle jack-up operation.

### 2. Preparation

Prepare all of the tools and inspect and adjust the instruments.

### 3. For efficiency

#### 1) Understand the state before disassembly.

What is the problem? Is disassembly absolutely necessary?

#### 2) Before disassembly

Determine whether match marks are necessary. For the electrical system, disconnect the cable from the battery terminal.

#### 3) Precautions for disassembly

In stead of checking all of the disassembled parts at once, check each part individually as it is disassembled. When removing the hydraulic unit or the hoses, mount a dust cap on the connection.

#### 4) Repair of disassembled parts

Keep the disassembled parts in order. Clearly distinguish the parts to be replaced with new parts from those to be reused. Packings, seals, rings, split pins must be replaced.

#### NOTE:

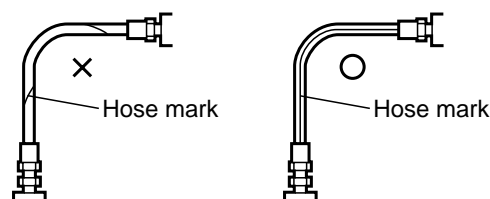
Electrical equipment, rubbers and V belts (which are easily affected by water and oil) must be handled carefully in order to prevent soiling them.

#### 5) Clean disassembled parts

Thoroughly clean the disassembled parts.

#### 6) Assembly

Perform the assembly correctly (tightening torque, application of Three Bond, screw lock, grease, use of seal tape, etc.). Also install the hose correctly.

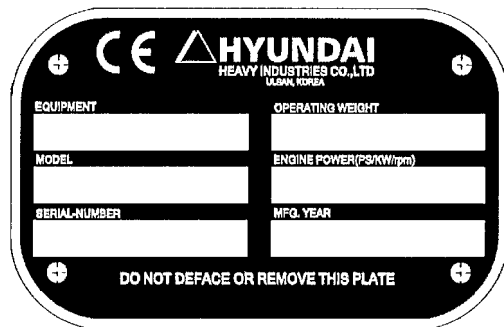
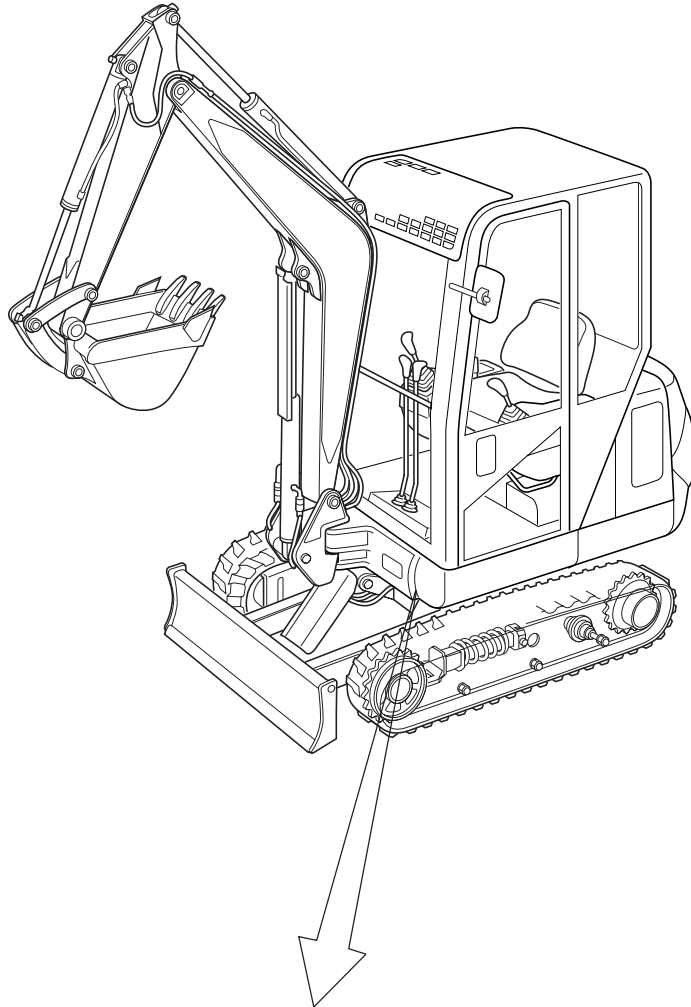


## **2** OUTLINE

### **CONTENTS**

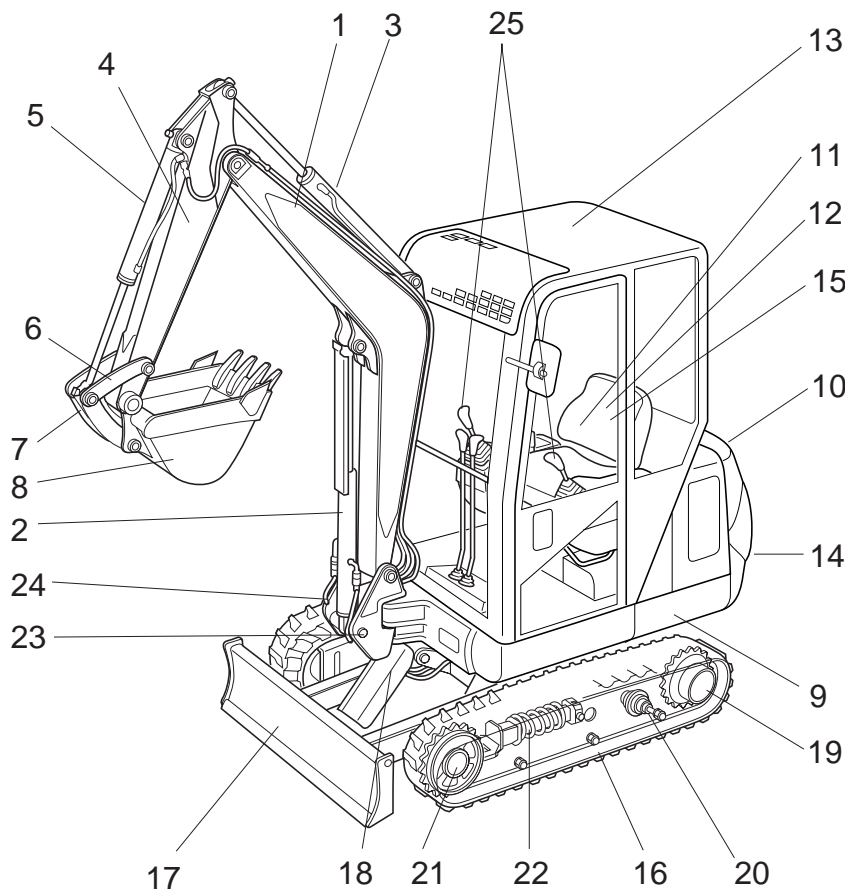
- 2-1 Location of serial No.
- 2-2 Name of each part
- 2-3 Dimensions and specification
- 2-4 Weight list
- 2-5 Oil and grease supply points
- 2-6 List of supply oil and grease
- 2-7 When to repair
- 2-8 Hydraulic circuit diagram

## 2-1 Location of Serial Number

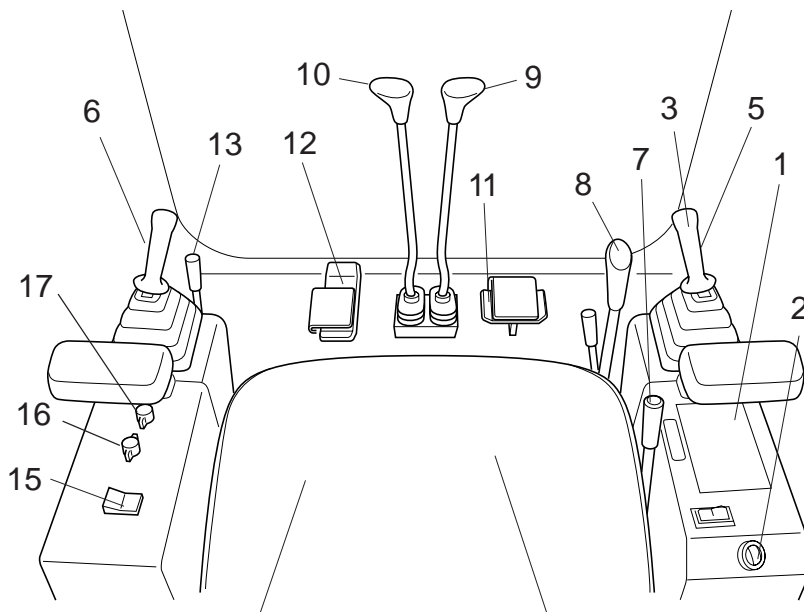




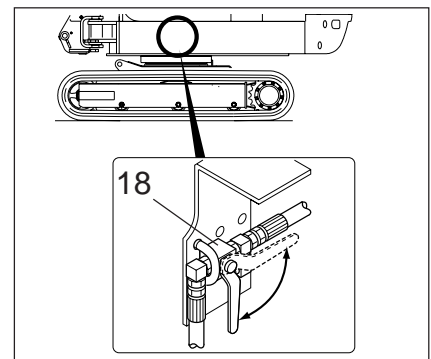
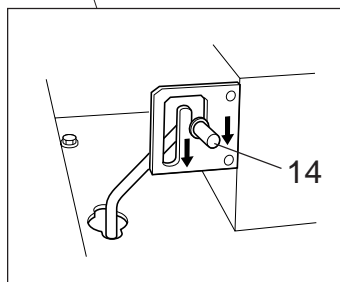
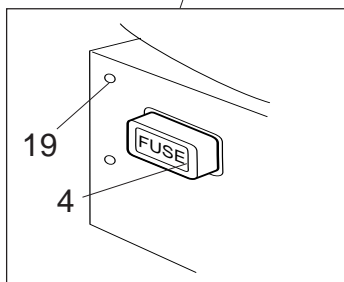
## 2-2 Name of each part



1. Boom
2. Boom cylinder
3. Arm cylinder
4. Arm
5. Bucket cylinder
6. Bucket links
7. Dump link
8. Bucket
9. Swing frame
10. Engine cover
11. Fuel tank
12. Hydraulic tank
13. Cabin
14. Counter weight
15. Operator's seat
16. Crawler
17. Dozer blade
18. Dozer cylinder
19. Travelling motor
20. Track roller
21. Front idler
22. Grease cylinder
23. Swing post
24. Swing cylinder
25. Operation levers



1. Meter unit
2. Starter switch
3. Horn switch
4. Fuse box
5. Right operation lever
6. Left operation lever
7. Accelerator lever
8. Dozer operation lever
9. Right travelling lever
10. Left travelling lever
11. Swing pedal
12. P.T.O. pedal
13. Safety lock lever
14. Slew lock pin
15. Overdrive switch
16. Heater switch(for Cabin)
17. Wiper switch(for Cabin)
18. Manual boom lowering lever
19. Cigarette lighters



## 2-3 Dimensions and Specifications

