

# **PARTS MANUAL**

---

**H36.00XM, H40/44/48.00XM-12,  
H36.00XMS-12, H40/44/48.00XMS  
(A917)**

**CUSTOMER EDITION**

---

# ***HYSTER***



**SECTIONS**

<b>1</b>	<b>FRAME</b>
<b>2</b>	<b>ENGINES</b>
<b>3</b>	<b>FUEL SYSTEM</b>
<b>4</b>	<b>ELECTRICAL SYSTEM</b>
<b>5</b>	<b>TRANSMISSION</b>
<b>6</b>	<b>DRIVE AXLE</b>
<b>7</b>	<b>STEERING SYSTEM</b>
<b>8</b>	<b>BRAKE SYSTEM</b>
<b>9</b>	<b>HYDRAULIC SYSTEM</b>
<b>10</b>	<b>ATTACHMENTS</b>
<b>11</b>	<b>OPTIONS</b>
<b>12</b>	<b>NUMERICAL INDEX</b>

This Parts Manual is divided into 12 major sections which are listed above. Quick reference to these sections can be made by placing the right thumb on the tab of the desired section, bending the book back and thumbing the pages to the corresponding tab.



**TABLE OF CONTENTS**

DESCRIPTION	PAGE
<b>Numbers/Symbols</b>	
3-POINT SEAT BELT .....	11-28
<b>A</b>	
ACCESSORY DRIVE PULLEY	
→ S/N A917E01548F .....	2-4
S/N A917E01549F → .....	2-5
ACCUMULATOR	
BRAKE .....	9-34
LIFT .....	9-32
AIR CLEANER PLUMBING .....	2-36
AIR COMPRESSOR INTAKE CONNECTOR .....	2-50
AIR CONDITIONER	
CLIMATE CONTROL CAB - MCC .....	1-120
AIR CONDITIONER ASSEMBLY	
AURORA (→ S/N A917E01504E) .....	1-66
WITH TWO-FAN CONDENSER SYSTEM - MCC .....	1-94
AIR CONDITIONER CONTROL PANEL .....	4-18
AIR CONDITIONER SYSTEM	
CLIMATE CONTROL CAB - MCC .....	1-118
WITH TWO-FAN CONDENSER SYSTEM - MCC .....	1-92
AIR CONDITIONER SYSTEM ASSEMBLY	
WITH TWO-FAN CONDENSER SYSTEM - MCC .....	1-90
AIR DUCT	
LOUVER, CLIMATE CONTROL CAB .....	1-112
AIR DUCT ASSEMBLY	
AIR CONDITIONING - WITH TWO-FAN CONDENSER SYSTEM, MCC .....	1-96
HEATER - WITH TWO-FAN CONDENSER SYSTEM, MCC .....	1-84
AIR FILTER ASSEMBLY	
→ S/N A917E01504E .....	3-26
S/N A917E01505E → .....	3-27
AIR FILTER SYSTEM .....	3-24
AIR HORN	
→ S/N A917E01563G .....	1-106
S/N A917E01564G → .....	1-108
AIR TRANSFER CONNECTION .....	2-37
ALTERNATOR .....	4-30
ALTERNATOR DRIVE PULLEY .....	4-36
ALTERNATOR MOUNTING .....	4-32
ARMREST ASSEMBLY	
HYDRAULIC LEVERS .....	1-60
JOYSTICK .....	1-62
ARMREST SWITCHES	
HYDRAULIC LEVERS .....	4-22
JOYSTICK .....	4-23
AXLE HOUSING .....	6-2
<b>B</b>	
BRAKE AND INCHING PEDAL LINKAGE .....	8-10

## TABLE OF CONTENTS (continued)

DESCRIPTION	PAGE
BRAKE ASSEMBLY	
PARK BRAKE .....	8-6
SERVICE BRAKES .....	8-8
BRAKE SYSTEM .....	8-2
BRAKE VALVE (WET BRAKE) .....	8-12
BREATHER PLUMBING .....	2-38
<b>C</b>	
CAB	
MAIN DOOR WINDOW - RIGHT AND LEFT HAND .....	1-24
CAB AND ATTACHING PARTS .....	1-14
CAB ASSEMBLY	
CLIMATE CONTROL CAB .....	1-122
CAB DASH AND AIR DUCT ASSEMBLY .....	1-40
CAB DOOR	
LEFT HAND (→ S/N A917E01548F) .....	1-20
LEFT HAND (S/N A917E01549F →) .....	1-22
RIGHT HAND (→ S/N A917E01548F) .....	1-16
RIGHT HAND (S/N A917E01549F →) .....	1-18
CAB DOOR ATTACHING PARTS .....	1-26
CAB FLOORMATS .....	1-42
CAB MOUNTING AND TILT .....	1-130
CAB PANELS .....	1-38
CAB RECIRCULATING FAN .....	1-43
CAB SOUND REDUCTION .....	1-41
CAB SUNSHADE	
REAR .....	1-36
TOP .....	1-34
CAB TILT ELECTRIC PUMP .....	1-126
CAB WINDOWS INSTALLATION .....	1-28
CAM FOLLOWER LEVERS .....	2-12
CAMSHAFT .....	2-11
CARRIAGE ASSEMBLY	
SIDE-SHIFT .....	10-20
STANDARD .....	10-18
CARRIAGE HYDRAULICS	
SIDE-SHIFT .....	10-26
STANDARD .....	10-24
CLIMATE CONTROL SYSTEM	
MCC .....	1-116
COMPRESSOR MOUNTING	
S/N A917E01549F → .....	2-48
CONDENSER	
TWO-FAN SYSTEM - MCC .....	1-86
CONDENSER SYSTEM	
WITH TWO-FAN CONDENSER - MCC .....	1-88
CONTROL PANEL ASSEMBLY	
WITH TWO-FAN CONDENSER SYSTEM - MCC .....	1-98
COOLANT HEATER STARTING AID .....	2-39

**TABLE OF CONTENTS (continued)**

<b>DESCRIPTION</b>	<b>PAGE</b>
COOLING SYSTEM .....	2-92
CORROSION RESISTOR .....	2-76
COUNTERWEIGHT .....	1-10
COVERS .....	1-4
CRANKSHAFT .....	2-31
CRANKSHAFT AND MAIN BEARINGS .....	2-32
OPTIONAL .....	2-34
CYLINDER BLOCK .....	2-22
CYLINDER BLOCK PLUMBING .....	2-29
CYLINDER HEAD .....	2-20
CYLINDER LINER .....	2-24
<b>D</b>	
DC-DC CONVERTER AND ATTACHING PARTS .....	4-7
DELUXE SUSPENSION SEAT .....	1-44
DIFFERENTIAL AND CARRIER .....	6-4
DRIVE TIRES AND WHEELS	
18.00 X 33 .....	11-22
DUST SHIELD .....	1-6
<b>E</b>	
ELECTRIC HORN .....	4-161
ELECTRICAL ACCESSORIES .....	4-26
ELECTRICAL SYSTEM .....	4-4
EMPTY SEAT ENGINE SHUTDOWN	
3/2010 → .....	11-25
ENGINE ASSEMBLY .....	2-3
ENGINE BLOCK HEATER 240V	
S/N A917E01572H → .....	11-26
ENGINE COMPARTMENT AND STAIR LIGHTS .....	11-10
ENGINE CONTROL SYSTEM .....	4-24
ENGINE MOUNTS .....	2-96
EXHAUST MANIFOLDS .....	2-82
EXHAUST OUTLET CONNECTION .....	2-84
EXHAUST SYSTEM .....	2-90
<b>F</b>	
FAN DRIVE AND SPACER .....	2-16
FLOORPLATES, STEPS, AND RAILS .....	1-8
FLOW AMPLIFIER AND ATTACHING PARTS .....	9-62
FLYWHEEL .....	2-52
FLYWHEEL HOUSING .....	2-54
FORK MOUNTED CONTAINER HANDLER .....	10-54
FORK MOUNTED CONTAINER HANDLER INSTALLATION .....	10-56
FORK POSITIONER	
SIDE-SHIFT CARRIAGE .....	10-12
STANDARD CARRIAGE .....	10-14
FORK POSITIONER CYLINDER .....	10-16
FORKS .....	10-17
FRONT DRIVE TRAIN .....	2-51

## TABLE OF CONTENTS (continued)

DESCRIPTION	PAGE
FRONT ENGINE SUPPORT .....	2-86
FRONT GEAR COVER .....	2-68
FRONT LIGHTS .....	11-12
FUEL FILTER AND WATER SEPARATOR .....	3-20
FUEL FILTER PLUMBING .....	3-14
FUEL INJECTOR .....	3-16
FUEL PUMP ASSEMBLY .....	3-10
FUEL PUMP COUPLING .....	3-12
FUEL PUMP DRIVE .....	3-6
FUEL PUMP INTAKE FITTING .....	3-8
FUEL PUMP PLUMBING .....	3-18
FUEL SYSTEM	
→ S/N A917E01542F .....	3-2
S/N A917E01543F → .....	3-4
FUSE BOX .....	4-39
<b>G</b>	
GEAR HOUSING .....	2-66
<b>H</b>	
HAND HOLE COVER	
S/N A917E01549F → .....	2-88
HAND LEVER INSTALLATION	
FORKLIFT TRUCK AND CONTAINER HANDLER .....	9-74
HAND PUMP	
CAB TILT .....	1-128
HEADER HOSES	
4267 MM, 7010 MM, 8534 MM LIFT HEIGHTS (→ S/N A917E01542F) .....	10-30
4267 MM, 7010 MM, 8534 MM LIFT HEIGHTS (S/N A917E01543F →) .....	10-34
9144 MM, 9754 MM, 12650 MM LIFT HEIGHTS (→ S/N A917E01542F) .....	10-38
9144 MM, 9754 MM, 12650 MM LIFT HEIGHTS (S/N A917E01543F →) .....	10-42
HEATED TOP WINDOW	
CLIMATE CONTROL CAB .....	11-24
HEATER AND AIR CONDITIONER ASSEMBLY	
WITH THREE-FAN CONDENSER SYSTEM - AURORA .....	1-70
HEATER AND AIR CONDITIONER HOSES	
→ S/N A917E01502D .....	1-74
S/N A917E01503D ↔ 7/2008 .....	1-76
7/2008 → .....	1-78
HEATER AND AIR CONDITIONER MOUNTING	
WITH THREE-FAN CONDENSER SYSTEM - AURORA .....	1-72
HEATER AND AIR DUCT	
WITH TWO-FAN CONDENSER SYSTEM - MCC .....	1-80
HEATER ASSEMBLY	
WITH THREE-FAN CONDENSER SYSTEM - AURORA .....	1-68
WITH TWO-FAN CONDENSER SYSTEM - MCC .....	1-82
HEATER CONTROL PANEL .....	4-16
HEATER SYSTEM	
WITH TWO-FAN CONDENSER SYSTEM - MCC .....	1-81



**TABLE OF CONTENTS (continued)**

<b>DESCRIPTION</b>	<b>PAGE</b>
HUB AND SHAFT	
→ 10/2010 .....	6-8
10/2010 → .....	6-12
HYDRAULIC ATTACHMENT STOPS .....	10-57
HYDRAULIC CONTROL VALVE	
ATTACHING PARTS .....	9-30
AUXILIARY SECTION ASSEMBLY .....	9-22
CAP AND SUPPORT KIT .....	9-28
LIFT AND TILT SECTION ASSEMBLY .....	9-26
LIFT SECTION ASSEMBLY .....	9-24
HYDRAULIC CONTROLS MOUNTING .....	9-16
HYDRAULIC HOSE ASSEMBLY .....	9-70
HYDRAULIC PUMP	
MAIN .....	9-58
STEERING .....	9-60
HYDRAULIC SUPPLY AND RETURN	
SHEET 1 OF 5 .....	9-2
SHEET 2 OF 5 .....	9-4
SHEET 3 OF 5 .....	9-8
SHEET 4 OF 5 (→ 11/2009) .....	9-10
SHEET 4 OF 5 (11/2009 →) .....	9-12
SHEET 5 OF 5 .....	9-14
HYDRAULIC TANK AND ATTACHING PARTS .....	9-18
<b>I</b>	
IDLER GEAR .....	2-18
INDICATOR DISPLAY AND CONTROLS .....	4-14
INTAKE MANIFOLD .....	2-80
<b>J</b>	
JOYSTICK ASSEMBLY .....	9-68
JOYSTICK INSTALLATION	
CONTAINER HANDLER .....	9-66
FORKLIFT TRUCK .....	9-64
<b>L</b>	
LABELS	
EXTERIOR .....	1-100
INTERIOR .....	1-102
LIFT CYLINDER	
MAST - 4267 MM, 8534 MM, 9144 MM LIFT HEIGHTS .....	10-46
MAST - 7010 MM AND 9754 MM LIFT HEIGHTS .....	10-48
MAST - 12650 MM LIFT HEIGHT .....	10-50
LIFTING BRACKET .....	2-6
LIGHT BAR AND MOUNT	
TWISTLOCK MODULE .....	4-34
LIGHT SWITCHES .....	4-10
LOUVER	
CLIMATE CONTROL CAB .....	1-110

## TABLE OF CONTENTS (continued)

DESCRIPTION	PAGE
<b>M</b>	
MAIN MANIFOLD	
→ 4/2010 .....	9-36
4/2010 ↔ S/N A917E01585J .....	9-38
MAIN MANIFOLD AND ATTACHING PARTS	
→ S/N A917E01585J .....	9-40
S/N A917E01586J → .....	9-42
MAIN MANIFOLD ASSEMBLY	
PAGE 1 OF 2 (S/N A917E01586J →) .....	9-44
PAGE 2 OF 2 (S/N A917E01586J →) .....	9-46
MANIFOLD	
BRAKE .....	9-56
CAB .....	9-52
CAB - ATTACHING PARTS .....	9-54
LIFT AND TILT .....	9-48
LIFT AND TILT - ATTACHING PARTS .....	9-50
MAP LIGHT .....	4-9
MAST	
4267 MM, 7010 MM, 8534 MM LIFT HEIGHTS .....	10-4
9144 MM, 9754 MM, 12650 MM LIFT HEIGHTS .....	10-8
MAST INSTALLATION .....	10-2
<b>N</b>	
NOISE PANEL .....	2-85
<b>O</b>	
OIL COOLER WATER PLUMBING .....	2-61
OIL FILLER .....	2-58
OIL FILTER .....	2-60
OIL FILTER AND COOLER HEAD .....	2-56
OIL LEVEL GAUGE .....	2-59
OIL PAN	
→ S/N A917E01514E (300 HP ENGINE) → S/N A917E01522E (335 HP ENGINE) .....	2-70
S/N A917E01515E → 300 HP ENGINE S/N A917E01523E → (335 HP ENGINE) .....	2-72
OIL PUMP AND ATTACHING PARTS .....	2-74
OPTIONAL MOUNTING EQUIPMENT (HANDLE) .....	11-2
OVERHEAD GUARD	
WIRE MESH .....	1-12
<b>P</b>	
PILOT VALVE ASSEMBLY	
JOYSTICK .....	9-72
PISTON AND CONNECTING ROD .....	2-26
PISTON COOLING NOZZLE .....	2-28
PIVOT ARM ASSEMBLY .....	1-64
<b>R</b>	
RADIATOR ASSEMBLY .....	2-94
RADIATOR PLUMBING .....	2-78
RADIO CONSOLE .....	4-20

**TABLE OF CONTENTS (continued)**

<b>DESCRIPTION</b>	<b>PAGE</b>
RADIO PREPARATION .....	1-104
RELAYS AND FUSES	
→ S/N A917E01501D .....	4-40
S/N A917E01502D ↔ 2/2008 .....	4-44
2/2008 ↔ 3/2010 .....	4-48
3/2010 → .....	4-52
ROCKER LEVERS .....	2-14
<b>S</b>	
SEAT AND SUSPENSION MOUNTING .....	1-50
SEAT ASSEMBLY .....	1-46
CLIMATE CONTROL CAB .....	1-114
SEAT SUSPENSION ASSEMBLY	
AIR .....	1-56
MECHANICAL .....	1-52
SECOND 12V SOCKET OPTION	
CLIMATE CONTROL CAB .....	4-160
SIDE-SHIFT CYLINDER ASSEMBLY .....	10-52
SOLENOID VALVE .....	9-80
SOUND REDUCTION	
5385WB .....	11-4
5900WB .....	11-6
START AID .....	4-159
STARTER MOTOR	
→ S/N A917E01548F .....	4-37
S/N A917E01549F → .....	4-38
STEER AXLE AND ATTACHING PARTS .....	7-2
STEER AXLE ASSEMBLY .....	7-4
STEER COLUMN ASSEMBLY .....	7-10
STEER CYLINDER	
→ S/N A917E01587J .....	7-6
S/N A917E01588J → .....	7-7
STEERING COLUMN .....	7-12
STEERING COLUMN AND ATTACHING PARTS .....	7-8
STEERING CONTROL VALVE .....	7-14
STROBE LIGHT	
WITH AIR CONDITIONING .....	11-15
WITHOUT AIR CONDITIONING .....	11-14
<b>T</b>	
TAIL LIGHTS AND BACK-UP ALARM .....	11-16
THERMOSTAT .....	2-10
THERMOSTAT HOUSING .....	2-8
THROTTLE PEDAL LINKAGE .....	3-22
TILT CYLINDER	
CAB .....	1-134
TILT CYLINDER AND ATTACHING PARTS .....	9-78
TILT PLATFORM ASSEMBLY	
H36.00XMS-12, H40.00XM-12, H44.00XM-12 .....	1-138

## TABLE OF CONTENTS (continued)

DESCRIPTION	PAGE
H48.00XM-12 .....	1-136
<b>TIRES AND WHEELS</b>	
DRIVE - 18.00 X 25 .....	11-18
STEER - 16.00 X 25 AND 18.00 X 25 .....	11-20
<b>TRAINING SEAT</b> .....	1-124
<b>TRANSMISSION</b>	
<b>ASSEMBLY</b> .....	5-10
CASE AND REAR COVER .....	5-18
CONTROL VALVE ASSEMBLY .....	5-50
CONTROL VALVE MOUNTING .....	5-48
FIRST SPEED CLUTCH SHAFT .....	5-28
FIRST SPEED GEARS .....	5-26
FIRST SPEED SHAFT AND IDLER GEAR .....	5-27
FORWARD CLUTCH SHAFT .....	5-22
FORWARD, REVERSE AND SECOND, - AND THIRD OR FOURTH CLUTCH SHAFTS .....	5-21
FOURTH SPEED CLUTCH SHAFT .....	5-36
INPUT DRIVE GEARS .....	5-14
LINES AND ATTACHING PARTS (→ S/N A917E01564G) .....	5-2
LINES AND ATTACHING PARTS (S/N A917E01565G →) .....	5-6
OUTPUT SHAFT .....	5-38
PUMP DRIVE .....	5-12
REGULATOR VALVE AND HYDRAULIC PUMP ARRANGEMENT .....	5-40
REMOTE FILTER AND ADAPTOR .....	5-54
REVERSE AND SECOND CLUTCH SHAFT .....	5-24
SPEED SENSORS .....	5-20
THIRD SPEED CLUTCH SHAFT .....	5-32
THIRD SPEED GEARS .....	5-31
TORQUE CONVERTER AND DRIVE PLATE .....	5-42
TORQUE CONVERTER HOUSING .....	5-44
TURBINE SHAFT, STATOR SUPPORT, AND OIL BAFFLE .....	5-16
UNIVERSAL SHAFT .....	5-56
<b>TRANSMISSION CONTROLLER AND SHIFT LEVER</b> .....	4-12
<b>TURBOCHARGER</b>	
→ S/N A917E01548F .....	2-40
S/N A917E01549F → .....	2-44
<b>TURBOCHARGER PLUMBING</b> .....	2-46
<b>V</b>	
<b>VALVE COVER</b> .....	2-7
<b>VIBRATION DAMPER</b> .....	2-75
<b>W</b>	
<b>WATER PUMP</b>	
→ S/N A917E01548F .....	2-62
S/N A917E01549F → .....	2-64
<b>WINDOW WIPER SYSTEM</b>	
<b>REAR AND ROOF WIPER KITS - AND FRONT WIPER OPTIONS</b> .....	1-32
<b>WASHER BOTTLE KIT</b> .....	1-30

**TABLE OF CONTENTS (continued)**

DESCRIPTION	PAGE
<b>WIRE HARNESS</b>	
ARMREST - CLOSED CAB .....	4-144
CAB LIGHT .....	4-136
CAB SIDE CONSOLE - SHEET 1 OF 3 (S/N A917E01502D ↔ 2/2008) .....	4-66
CAB SIDE CONSOLE - SHEET 2 OF 3 (S/N A917E01502D ↔ 2/2008) .....	4-70
CAB SIDE CONSOLE - SHEET 3 OF 3 (S/N A917E01502D ↔ 2/2008) .....	4-74
CAB SIDE CONSOLE - SHEET 1 OF 3 (2/2008 ↔ 3/2010) .....	4-76
CAB SIDE CONSOLE - SHEET 2 OF 3 (2/2008 ↔ 3/2010) .....	4-80
CAB SIDE CONSOLE - SHEET 3 OF 3 (2/2008 ↔ 3/2010) .....	4-84
CAB SIDE CONSOLE - SHEET 1 OF 3 (3/2010 →) .....	4-86
CAB SIDE CONSOLE - SHEET 2 OF 3 (3/2010 →) .....	4-90
CAB SIDE CONSOLE - SHEET 3 OF 3 (3/2010 →) .....	4-94
CAB, CALIBRATION SWITCH .....	4-96
CAB, SIDE CONSOLE, SHEET 1 OF 3 (→ S/N A917E01501D) .....	4-56
CAB, SIDE CONSOLE, SHEET 2 OF 3 (→ S/N A917E01501D) .....	4-60
CAB, SIDE CONSOLE, SHEET 3 OF 3 (→ S/N A917E01501D) .....	4-64
CARRIAGE - STANDARD .....	4-155
CARRIAGE - SIDE-SHIFT .....	4-156
CHASSIS, SHEET 1 OF 2 (→ S/N A917E01501D) .....	4-98
CHASSIS, SHEET 1 OF 2 (S/N A917E01502D ↔ S/N A917E01548F) .....	4-106
CHASSIS, SHEET 1 OF 2 (S/N A917E01549F →) .....	4-114
CHASSIS, SHEET 2 OF 2 (→ S/N A917E01501D) .....	4-102
CHASSIS, SHEET 2 OF 2 (S/N A917E01502D ↔ S/N A917E01548F) .....	4-110
CHASSIS, SHEET 2 OF 2 (S/N A917E01549F →) .....	4-118
CLOSED CAB (→ S/N A917E01501D) .....	4-128
CLOSED CAB (S/N A917E01502D →) .....	4-132
ENGINE COMPARTMENT .....	4-154
FRONT LIGHTS .....	4-163
HYDRAULIC LEVERS SWITCHES .....	4-126
HYDRAULIC RELAYS .....	4-148
LIGHT SWITCH .....	4-153
MAST .....	4-125
POWERED CAB TILT .....	4-158
POWERTRAIN .....	4-122
REAR .....	4-157
REAR WIPER EXTENSION .....	4-135
STAIR LIGHT .....	4-152
STEERING COLUMN .....	4-138
UNDERFLOOR .....	4-140
WINDOW WASH PUMPS .....	4-162
<b>WIRING ACCESSORIES</b>	
ELECTRONIC CONTROL MODULE .....	4-28
<b>WORK LIGHTS</b>	
HALOGEN AND HID .....	11-8

**ABBREVIATIONS QUICK REFERENCE SHEET**

Listed below are abbreviations used in parts manuals to denote the following expressions:

<b>TERM</b>	<b>DEFINITION</b>	<b>TERM</b>	<b>DEFINITION</b>
Amp	Amperes	FRE	Freezer Environment
AR	As Required	in.	inches
BDI	Battery Discharge Indicators	LPG	Liquefied Petroleum Gas
BWI	Brush Wear Indicator	MAP	Manifold Absolute Pressure
CE	Communicator End	mm	millimeters
CRE	Corrosive Environment	MSTS	Microprocessor Spark Timing System
D/B	Date Break	NPT	National Pipe Threads
dbA	Decibel "A" Scale	O/S	Oversize
DE	Drive End	PTO	Power Take Off
ECH	Empty Container Handler	RPM	Revolutions per Minute
ECH-3	Empty Container Handler - 3 High Stacking	S/N	Serial Number
ECH-4	Empty Container Handler - 4 High Stacking	TMM	Truck Management Module
ECH-5	Empty Container Handler - 5 High Stacking	UL Type D	Diesel-Powered Safety Rating
ECH-6	Empty Container Handler - 6 High Stacking	UL Type DS	Diesel-Powered Safety Rating
ECH-7	Empty Container Handler - 7 High Stacking	UL Type E	Battery-Powered Safety Rating
ECM	Electronic Control Module	UL Type EE	Battery-Powered Safety Rating
ECN	Engineering Change Notice	UL Type ES	Battery-Powered Safety Rating
EEPROM	Electrically Erasable Programmable Read Only Memory	UL Type G	Gasoline-Powered Safety Rating
EPA	US Environmental Protection Agency	UL Type GS	Gasoline-Powered Safety Rating
EPROM	Electrically Programmable Read Only Memory	UL Type LP	Gas-Powered Safety Rating
		UL Type LPS	LP Gas-Powered Safety Rating
		U/S	Undersize
		UL	Underwriters Laboratory
		V	Volts

### HOW TO USE THE ILLUSTRATED PARTS MANUAL

This parts manual describes and illustrates assemblies, subassemblies, and detail parts needed for service replacement.

The different constructions are indicated by keys and footnotes. The callouts correspond to descriptions found on the next page.

The diagram illustrates the layout of the illustrated parts manual with callouts 1 through 10 pointing to various sections and tables:

- 1:** Points to the 'SECTIONS' table.
- 2:** Points to the 'MAST-TWO STAGE LIMITED' section in the 'SECTIONS' table.
- 3:** Points to the 'TABLE OF CONTENTS' section.
- 4:** Points to the 'DESCRIPTION' and 'PAGE' columns in the 'TABLE OF CONTENTS'.
- 5:** Points to the 'NUMERICAL INDEX' table.
- 6:** Points to the 'DESCRIPTION' column in the 'TRANSMISSION HOUSING' table.
- 7:** Points to the 'TRANSMISSION HOUSING' title.
- 8:** Points to the 'ITEM' column in the 'TRANSMISSION HOUSING' table.
- 9:** Points to the 'QTY' columns in the 'TRANSMISSION HOUSING' table.
- 10:** Points to the 'KEY' section above the 'TRANSMISSION HOUSING' table.

**TABLE OF CONTENTS**

DESCRIPTION	PAGE
ACCELERATOR/MONOTROL PEDAL.....	5-2
BACKUP ALARM .....	
BATTERY CONNECTOR .....	
BRAKE ASSEMBLY .....	
BRAKE MASTER CYLINDER .....	
BRAKE PEDAL LINKAGE .....	
CARRIAGE .....	
THREE STAGE FULL .....	
TWO STAGE FULL .....	
TWO STAGE LIMITED .....	
CONTROL VALVE .....	
COUNTERWEIGHT .....	
DASH DISPLAY .....	
DC-DC CONVERTER .....	

**SECTION 11 NUMERICAL INDEX**

PART NO.	PG	ITEM	PART NO.	PG	ITEM	PART NO.	PG	ITEM
138	5-9	31	5-17	42	16481	6-25	3	6-7
139	5-13	31	7-13	8	6-25	4	16882	9-7
12921	5-9	32	1-3	6	6-25	53	16883	6-25
14269	5-13	32	1-4	45	6-25	65	16882	7-5
			5-9	16	10-3	16		8-5
			5-13	16	6-25	48	16989	9-5
				16	6-11	3	16989	6-25
				23	16484	6-11	9	7-5
				42		6-13	101	8-5
				34		6-13	101	9-5
				13		6-25	7	6-25
				10		6-25	8	17061
				11		6-25	11	3-9
				21		6-25	20	3-11
				27		9-7	7	6-25
								22

**TRANSMISSION HOUSING (= S/N G160-2628)**

KEY:  
A: Diesel  
B: Gasoline and LPG

ITEM	PART NO.	DESCRIPTION	QTY	
			A	B
		Transmission.....	1	1
	2022547	Transmission.....	1	1
	2023329	Transmission.....	2	2
	2064470	Case.....	4	4
1	2023418	Bearing Cap.....	1	1
2	296426	Washer.....	2	2
3	293692	Capscrew.....	2	2
4	2021390	Cover.....	4	4
5	1371656	Collar Pin.....	1	1
6	2021329	O-Ring.....	4	4
7	2021915	Plug.....	22	22
8	2021675	Housing.....	39	39
9	2021336	Capscrew.....	1	1
10	287860	Pin.....	1	1
11	292682	Lockwasher.....	8	8
12		Hydraulic Pump (see Figure 6-6).....	8	8
13		Gasket.....	1	1
14	2021345	Capscrew.....	1	1
15	214364	Washer.....	1	1
16	296418	Temperature Switch.....	1	1
17	2021388	Breather.....	9	9
18	2021389	Dipstick.....	9	9
19	2021383	Capscrew.....	2	2
20	292515	Nut.....	3	3
21	136692	Capscrew.....	3	2
22	292527	Capscrew.....	4	4
23	292531	Lockwasher.....	4	4
24	292683	Capscrew.....	1	1
25	293637	Capscrew.....	1	1
26	296420	Washer.....	1	1
	996403	Transmission Kit (Include Item 7).....		
	996405	Transmission Kit (Include Item 14).....		

This Parts Manual is divided into 11 major sections which are listed above. Quick reference can be made by placing the right thumb on the tab of the desired section, bending the bottom edge of the cover to the corresponding tab.

©2001 HYSTER COMPANY See Service Manual for service procedures. 3-15

HP990135

## HOW TO FIND THE DESIRED PART NUMBER

### WHEN THE PART NUMBER AND THE NEXT HIGHER ASSEMBLY IS NOT KNOWN:

1. Determine the function and application of the part required. Turn to the Sections Page. Choose the general area of reference most likely to include the part.
2. Turn to the section you chose. Use the Section Table of Contents to determine the assembly which would normally contain the part required. Then locate the part on the assembly breakdown page.

### WHEN THE PART NUMBER IS NOT KNOWN AND THE NEXT HIGHER ASSEMBLY IS KNOWN:

3. Determine the assembly the required part is used on. Turn to the Table of Contents (Page i).
4. Locate the assembly the required part is used on and turn to the page indicated for that assembly. Then locate the part on the assembly breakdown page.

### WHEN THE PART NUMBER IS KNOWN:

5. Use the Numerical Index (Page 12-1) to find the part number. Turn to the page listed and locate the part as indicated by the item number.

### GENERAL:

The assembly breakdowns include part numbers, descriptions, quantities required, keys and footnotes to help in selecting correct parts.

6. Parts Supersession Information. Part numbers that have this history will be displayed in the parts list in the order that they were superseded (from oldest to newest). The superseded part numbers will be shown with a line through them.

Five periods in the PART NO. column (. . . . .) indicate that the part is either *Not Serviced Separately* or there is a reference to another figure. A figure reference is denoted by a pointing hand followed by a figure number in the DESCRIPTION column (☞ Figure 10)

7. Keys are used to show two or more similar assemblies, RH and LH assembly parts, etc. Select the appropriate key, "A", "B", "C", "D", or "E" and the corresponding quantity column to find the required parts. Two periods in the QTY column (..) indicate that the part is not used for that assembly.
8. Indented descriptions under the DESCRIPTION column are used to indicate assemblies and

subparts of assemblies. In the example on the previous page, *BEARING CAP* (Item 2) is a subpart of the major assembly *CASE*.

9. Quantities shown are for one assembly. The quantities of the subpart *BEARING CAP* are indicated as two and two. This means two per *CASE* assembly.
10. Serial number breaks identify the most current parts information and are shown as follows:
  - **S/N D001H2628**  
Indicates last serial number affected.
  - S/N D001H2629** →  
Indicates the first serial number affected.
  - S/N D001H1553** ↔ **S/N D001H3291**  
Indicates a range of serial numbers affected.

ECN numbers for pending serial numbers are shown to allow for the inclusion of the most current parts information and are identified as follows:

- **S/N Pending Per ECN 63243**  
Indicates a pending serial number for last unit affected.
- S/N Pending Per ECN 63243** →  
Indicates a pending serial number for first unit affected.

Date breaks are used to indicate when a change occurred but a subsequent serial number break was not recorded. This is an arbitrary date usually based on the ECN release and are identified as follows:

- **D/B 3/00**  
Indicates that a change occurred sometime within that month for the item affected.
- D/B 3/00** →  
Indicates that a change occurred sometime within that month for the item affected.
- D/B 3/00** ↔ **D/B 4/00**  
Indicates a range of production dates of the item affected.

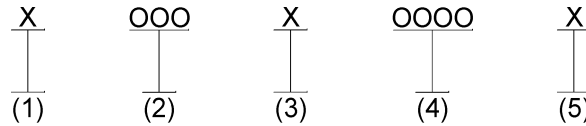
Contact your local dealer for Hyster lift trucks for serial number information for items with a ECN or a date break.

### ORDERING PARTS:

When ordering replacement parts, give the unit serial number, part number, name of part and quantity required.

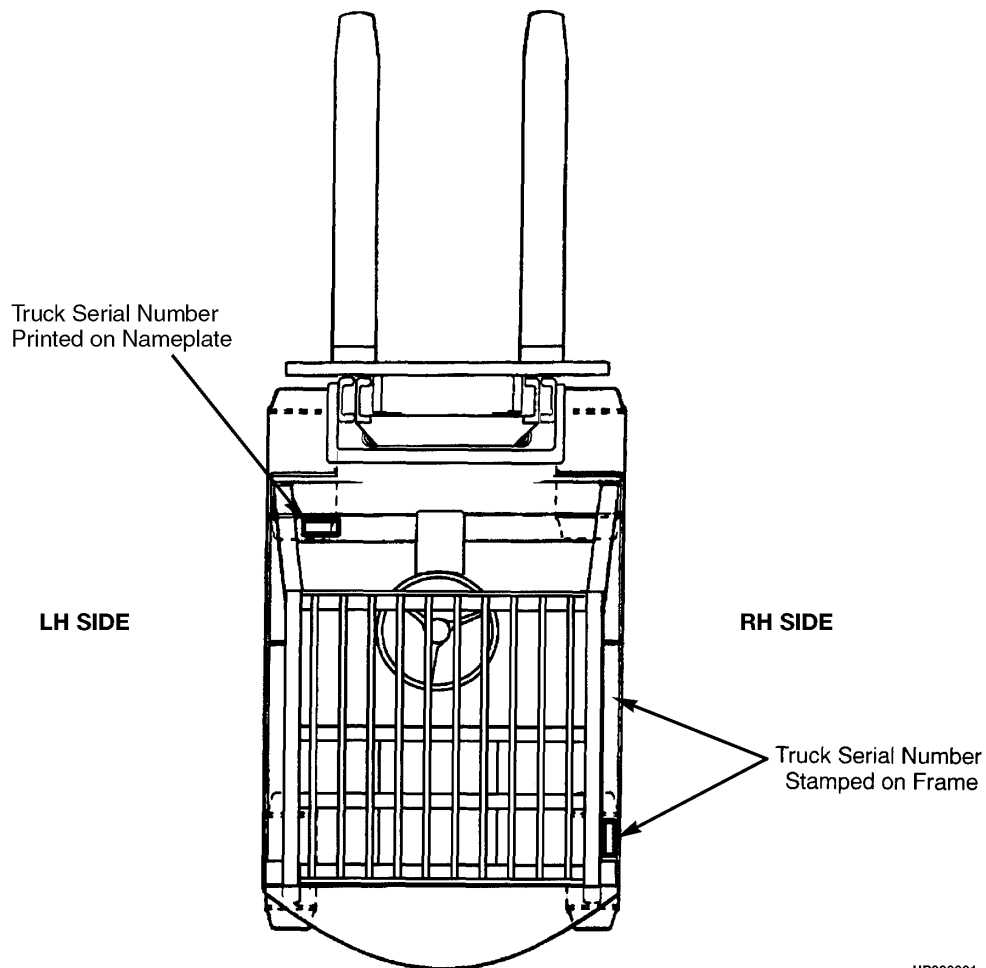
For any further information on parts, service, or ordering, consult your local dealer for Hyster lift trucks.



**IDENTIFICATION OF TRUCK SERIAL NUMBERS**

- (1) and (2) The first letter and three numbers indicate the truck unit code.
- (3) The second letter indicates the plant of manufacture.
- (4) The four or five digit number indicates the production sequence number of the truck.
- (5) The final letter indicates the year of manufacture starting with "A" in 1957, 1980, and 2003. The letters "I", "O", and "Q" will not be used.

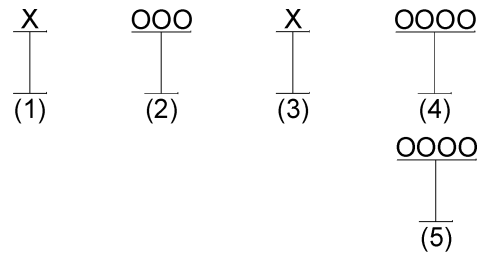
For pending serial numbers contact your local dealer for Hyster lift trucks.



HP990001

Parts referred to in this book as right or left hand parts are in accordance with the illustration above.

## IDENTIFICATION OF MAST SERIAL NUMBERS



- (1) and (2) The first letter and number indicates the mast unit code.
- (3) The second letter indicates the plant of manufacture.
- (4) The four or five digit number indicates the production sequence number of the mast.
- (5) Carriage travel in millimeters stamped just below the serial number.

Mast Group identification consists of mast unit code (1) and (2) plus carriage travel (5).

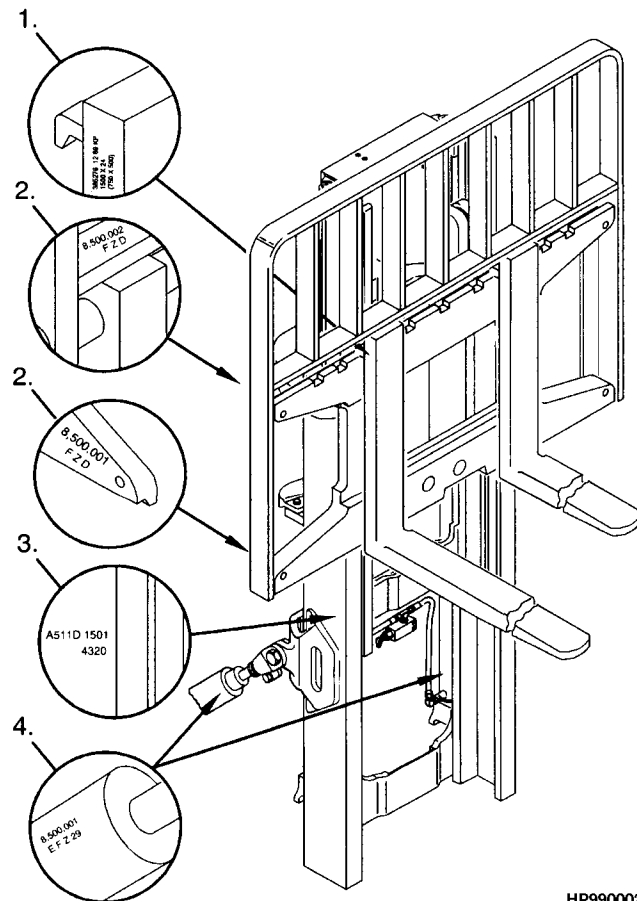
For pending production sequence numbers contact your local dealer for Hyster lift trucks.

### LIFT EQUIPMENT IDENTIFICATION

1. Fork part number, capacity rating, plant code letter, and date of manufacture are stamped approximately six inches below the top of most forks.
2. The carriage group number is stamped on the right hand side of the top crossmember (pin type) or on the back of the right hand end of the bottom crossmember (hook type). A date code has two letters in line with or below the carriage group number.
3. The mast identification number has a unit code, a letter indicating the plant of manufacture, and a serial number. Underneath the production sequence number is a four digit number that indicates the carriage travel in millimeters.
4. Tilt and lift cylinder group numbers are stamped on the cylinder shell.

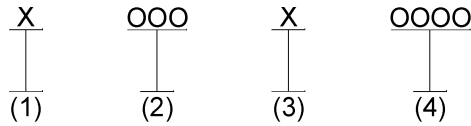
Always refer to the group, serial, or part number when ordering service parts.

Modification of masts and carriages by SPED (Special Products Engineering Department) are identified by a model prefix code beginning with the letter "S". contact your dealer for Hyster lift trucks for information on these assemblies.

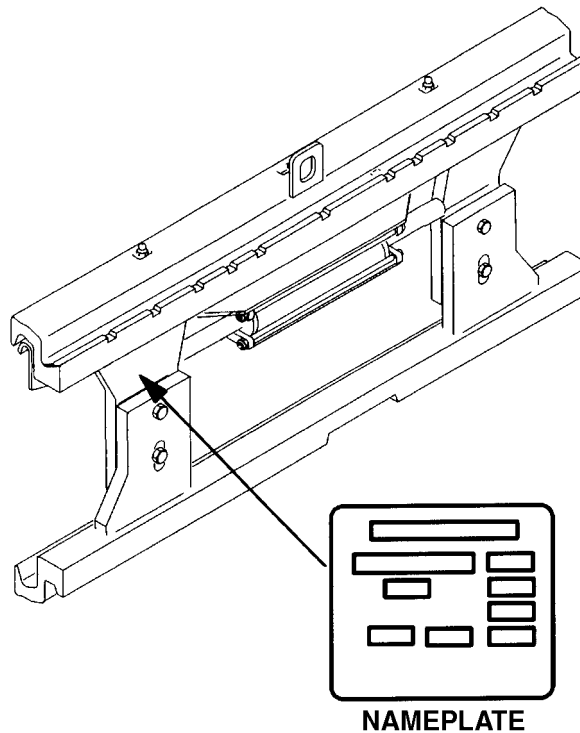


HP990002

## IDENTIFICATION OF ATTACHMENT AND SIDE-SHIFT CARRIAGE SERIAL NUMBERS



- (1) and (2) The first letter and three numbers indicate the attachment unit code.
- (3) The second letter indicates the plant of manufacture.
- (4) The four or five digit number indicates the production sequence number.
- For pending production sequence numbers contact your local dealer for Hyster lift trucks.



HP990003

Side-shift carriages and attachments have nameplates. Use the serial number found on the nameplate to identify the attachment.

Always refer to the group, serial, or part number when ordering service parts.

Modifications of attachments and side-shift carriages by SPED (Special Products Engineering Department) are identified by a model prefix code beginning with the letter "S". Contact your dealer for Hyster lift trucks for information on these assemblies.



**PUBLICATIONS**

Every new lift truck is provided with an OPERATING MANUAL. This manual has information that the operator must know for inspection and operation of the lift truck.

SERVICE MAINTENANCE MANUALS, which provide service and overhaul procedures, and PARTS

MANUALS with complete replacement part identification, are available at a nominal fee from your Hyster dealer to assist users in effectively maintaining Hyster lift trucks in a safe, useful condition. See the list below for information on ordering specific publications for this model lift truck.

---

<b>PUBLICATION</b>	<b>HYSTER PART NUMBER</b>
Operating Manual.....	1641091
Service Manual (Complete).....	1641093
Parts Manual.....	1641092