

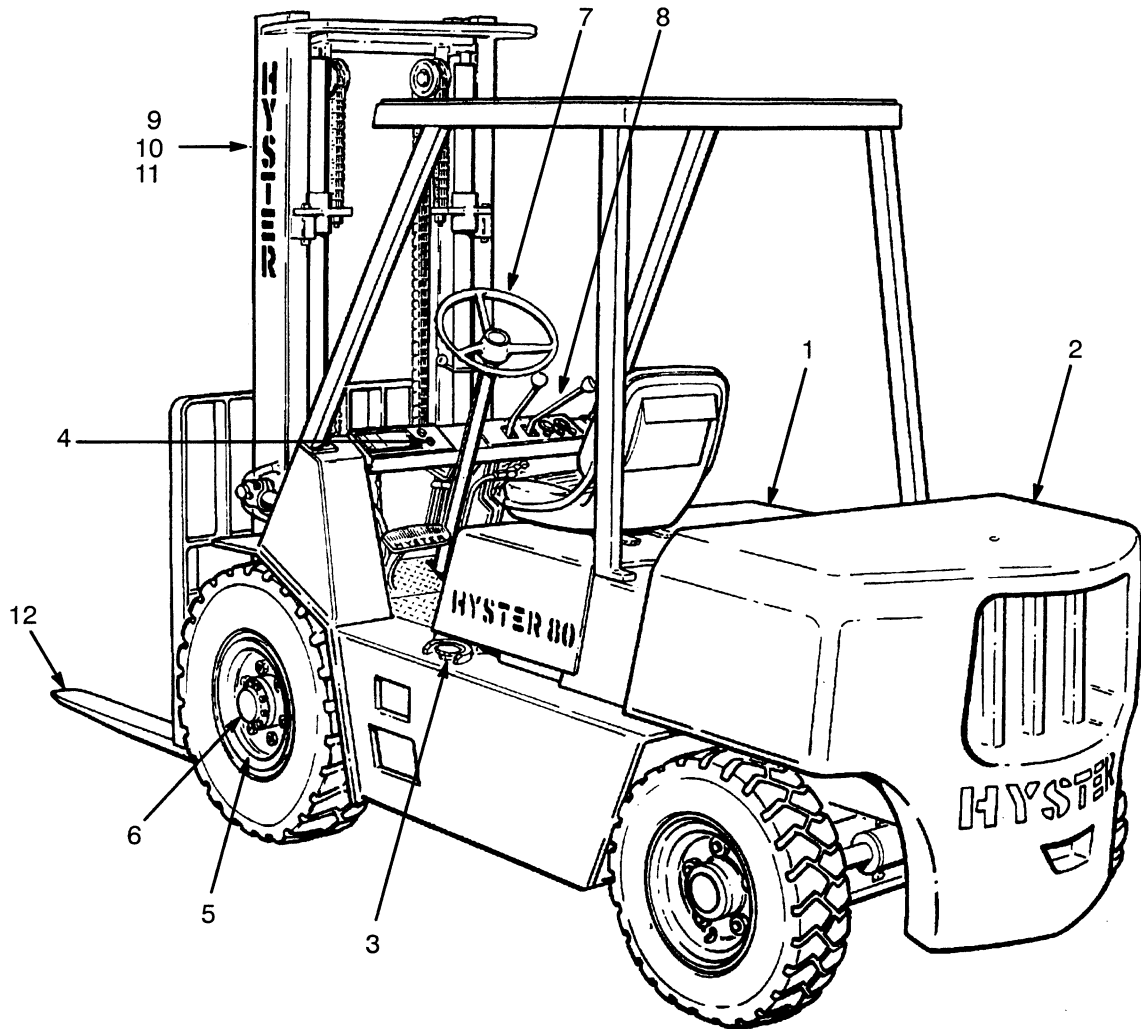
PARTS MANUAL

**CHALLENGER
H70, 80, 90, 100, & 110XL
H90XLS
(G5)**

CUSTOMER EDITION

HYSTER

ILLUSTRATED CONTENTS



REF	ITEM	PAGE
1	FRAME	5
2	ENGINE	17
3	FUEL SYSTEM	121
4	ELECTRICAL SYSTEM	173
5	TRANSMISSION	251
6	BRAKE SYSTEM	285
7	STEERING SYSTEM	299
8	HYDRAULIC SYSTEM	309
9	MAST — VISTA TWO-STAGE LIMITED FREE-LIFT (A510)	335
10	MAST — VISTA THREE-STAGE FULL FREE-LIFT (A511)	355
10	MAST — VISTA TWO-STAGE FULL FREE-LIFT (A512)	381
11	OPTIONAL EQUIPMENT	411
12	NUMERICAL INDEX	457

TABLE OF CONTENTS

<u>DESCRIPTION</u>	<u>PAGE NO.</u>
A	
AIR FILTER (Figure 85) STANDARD	Page 166
AIR FILTER (Figure 86) HEAVY DUTY GASOLINE AND LPG	Page 168
AIR FILTER (Figure 87) HEAVY DUTY DIESEL	Page 170
ALTERNATOR (Figure 103) DELCO BRAND	Page 212
ALTERNATOR (Figure 102) TYPES GS, LPS AND DS LAST USED ON S/N G005D-10596	Page 208
ALTERNATOR (Figure 104) GASOLINE , LPG AND DIESEL FIRST USED ON S/N G005D-10279	Page 216
ALTERNATOR (Figure 105) PRESTOLITE BRAND	Page 218
ALTERNATOR (Figure 106) PRESTOLITE BRAND GS, LPS, DS FIRST USED ON S/N G005D-10597	Page 220
ALTERNATOR MOUNTING (Figure 107) DIESEL 1004.42 WITH LOW EMISSIONS	Page 221
B	
BACK-UP ALARM (Figure 228)	Page 454
BRAKE (Figure 142) LAST USED ON S/N G00D-8496	Page 292
BRAKE (Figure 143) FIRST USED ON S/N G00D-8497	Page 294
BRAKE BOOSTER & MASTER CYLINDER (Figure 144)	Page 296
BRAKE LINKAGE (Figure 140) OIL CLUTCH	Page 288
BRAKE LINKAGE (Figure 141) POWERSHIFT	Page 290

TABLE OF CONTENTS

<u>DESCRIPTION</u>	<u>PAGE NO.</u>
C	
CAB (Figure 224)	Page 448
CAMSHAFT & OIL PAN (Figure 30) GASOLINE & LPG 5LM 1995 SERIES ENGINE	Page 60
CAMSHAFT AND CRANKSHAFT (Figure 17) GASOLINE & LPG 2KM 1992 SERIES ENGINE	Page 34
CAMSHAFT AND CRANKSHAFT (Figure 21) GASOLINE & LPG 3KM 1993 SERIES ENGINE	Page 42
CAMSHAFT AND OIL PAN (Figure 38) GASOLINE AND LPG 2000 SERIES ENGINE	Page 76
CAMSHAFT AND OIL PAN (Figure 26) GASOLINE & LPG 4LM 1994 SERIES ENGINE	Page 52
CAMSHAFT AND OIL SUMP (Figure 37) GASOLINE AND LPG	Page 74
CARBURETOR (Figure 67) LPG LAST USED ON S/N G005D-7759 (INCLUDING S/N 7830-7832, 7834-7837, 7840 AND 7841), EXCEPT S/N G005D-7710	Page 138
CARBURETOR (Figure 68) LPG FIRST USED ON S/N G005D-7760 (EXCEPT S/N 7830-7832, 7834-7837, 7840 AND 7841) AND INCLUDES S/N G005D-7710	Page 140
CARRIAGE (Figure 182) THREE-STAGE FFL	Page 372
CARRIAGE (Figure 183) THREE-STAGE FFL H90-100XL ATTACHMENT	Page 374
CARRIAGE (Figure 167) TWO-STAGE LFL	Page 346
CARRIAGE (Figure 168) TWO-STAGE LFL H90-100XL ATTACHMENT	Page 348

TABLE OF CONTENTS

DESCRIPTION	PAGE NO.
C (Continued)	
CARRIAGE (Figure 197) TWO-STAGE FFL	Page 402
CARRIAGE (Figure 198) TWO-STAGE FFL H90-100XL ATTACHMENT	Page 404
CHARGE PUMP (Figure 153) OIL CLUTCH	Page 316
CHARGE PUMP HYDRAULICS (Figure 152) OIL CLUTCH	Page 314
CLUTCH CONTROL LINKAGE (Figure 125) OIL CLUTCH	Page 262
CLUTCH (Figure 124) OIL CLUTCH	Page 260
CLUTCH PACK (Figure 130) POWERSHIFT	Page 270
CLUTCH PEDAL (Figure 123) OIL CLUTCH	Page 258
CONTROL VALVE ATTACHING PARTS (Figure 156) TWO FUNCTION	Page 322
CONTROL VALVE ATTACHING PARTS (Figure 158) THREE FUNCTION	Page 326
CONTROL VALVE ATTACHING PARTS (Figure 160) FOUR FUNCTION	Page 330
CONTROL VALVE (Figure 157) TWO FUNCTION	Page 324
CONTROL VALVE (Figure 159) THREE FUNCTION	Page 328
CONTROL VALVE (Figure 161) FOUR FUNCTION	Page 332
COOLANT PUMP (Figure 49) DIESEL (WITHOUT LOW EMISSIONS) LAST USED ON S/N G005D-11942	Page 98
COOLANT PUMP (Figure 57) DIESEL (WITH LOW EMISSIONS) FIRST USED ON S/N G005D-11942, LAST USED ON ENGINE S/N U892125D	Page 114

TABLE OF CONTENTS

DESCRIPTION	PAGE NO.
C (Continued)	
COOLING SYSTEM (Figure 12) GASOLINE AND LPG	Page 24
COOLING SYSTEM (Figure 40) DIESEL	Page 80
COUNTERWEIGHT (Figure 7)	Page 13
CRANKSHAFT AND PISTONS (Figure 43) DIESEL (WITHOUTLOW EMISSIONS) LAST USED ON S/N G005D-11942	Page 86
CRANKSHAFT AND PISTONS (Figure 52) DIESEL (WITH LOW EMISSIONS) FIRST USED ON S/N G005D-11942	Page 104
CYLINDER BLOCK (Figure 15) GASOLINE & LPG 2KM 1992 SERIES ENGINE	Page 30
CYLINDER BLOCK (Figure 19) GASOLINE & LPG 3KM 1993 SERIES ENGINE	Page 38
CYLINDER BLOCK (Figure 23) GASOLINE & LPG 4LM 1994 SERIES ENGINE	Page 46
CYLINDER BLOCK (Figure 27) GASOLINE & LPG 5LM 1995 SERIES ENGINE	Page 54
CYLINDER BLOCK (Figure 31) GASOLINE AND LPG	Page 62
CYLINDER BLOCK (Figure 32) GASOLINE AND LPG 2000 SERIES ENGINE	Page 64
CYLINDER BLOCK (Figure 41) DIESEL (WITHOUTLOW EMISSIONS) LAST USED ON S/N G005D-11942	Page 82
CYLINDER BLOCK (Figure 50) DIESEL (WITH LOW EMISSIONS) FIRST USED ON S/N G005D-11942	Page 100
CYLINDER HEAD (Figure 16) GASOLINE & LPG 2KM 1992 SERIES ENGINE	Page 32

TABLE OF CONTENTS

DESCRIPTION	PAGE NO.
C (Continued)	
CYLINDER HEAD (Figure 20) GASOLINE & LPG 3KM 1993 SERIES ENGINE	Page 40
CYLINDER HEAD (Figure 24) GASOLINE & LPG 4LM 1994 SERIES ENGINE	Page 49
CYLINDER HEAD (Figure 28) GASOLINE & LPG 5LM 1995 SERIES ENGINE	Page 56
CYLINDER HEAD (Figure 33) GASOLINE AND LPG	Page 66
CYLINDER HEAD (Figure 34) GASOLINE AND LPG 2000 SERIES ENGINE	Page 68
CYLINDER HEAD (Figure 42) DIESEL (WITHOUT LOW EMISSIONS) LAST USED ON S/N G005D-11942	Page 84
CYLINDER HEAD (Figure 51) DIESEL (WITH LOW EMISSIONS) FIRST USED ON S/N G005D-11942	Page 102
D	
DIFFERENTIAL (Figure 138)	Page 282
DISTRIBUTOR (Figure 96)	Page 196
DISTRIBUTOR (Figure 97)	Page 197
DRIVE AXLE (Figure 137)	Page 280
DUAL FUEL CONVERSION KIT (Figure 63) GAS TO LPG	Page 130
E	
ELECTRICAL (Figure 90) LPG FIRST USED ON S/N G005D-13154	Page 184
ELECTRICAL (Figure 91) GASOLINE FIRST USED ON S/N G005D-11942	Page 186

TABLE OF CONTENTS

<u>DESCRIPTION</u>	<u>PAGE NO.</u>
E (Continued)	
ELECTRICAL SYSTEM (Figure 88) GASOLINE AND LPG LAST USED ON S/N G005D-13153	Page 176
ELECTRICAL SYSTEM (Figure 89) GASOLINE AND LPG FIRST USED ON S/N G005D-13154	Page 180
ELECTRICAL SYSTEM (Figure 98) DIESEL LAST USED ON S/N G005D-13393	Page 198
ELECTRICAL SYSTEM (Figure 99) DIESEL FIRST USED ON S/N G005D-13394	Page 200
ENGINE CONTROL, CONTINUED (Figure 95) GASOLINE FIRST USED ON S/N G005D-14736, INCLUDING G005D-14584	Page 194
ENGINE CONTROL (Figure 92) LPG	Page 188
ENGINE CONTROL (Figure 93) GASOLINE USED ON S/N G005D-13154 THRU G005D-14735, EXCEPT G005D-14584	Page 190
ENGINE CONTROL (Figure 94) GASOLINE FIRST USED ON S/N G005D-14736, INCLUDING G005D-14584	Page 192
ENGINE HARNESS (Figure 115) GASOLINE FIRST USED ON S/N G005D-51476, G005D-51484 PILOT TRUCK ...	Page 238
ENGINE MOUNTS (Figure 10)	Page 21
EXHAUST (Figure 59)	Page 118
F	
FIRE EXTINGUISHER (Figure 219)	Page 439
FLOORPLATES AND FENDERS (Figure 5)	Page 10
FLYWHEEL HOUSING (Figure 11)	Page 22

TABLE OF CONTENTS

<u>DESCRIPTION</u>	<u>PAGE NO.</u>
F (Continued)	
FORKS (Figure 169) HOOK TYPE	Page 350
FORKS (Figure 170) HOOK TYPE	Page 351
FORKS (Figure 171) PIN TYPE	Page 352
FORKS (Figure 172) BLOCK TYPE 48 INCH CARRIAGE	Page 353
FORKS (Figure 173) BLOCK TYPE 62 INCH CARRIAGE	Page 354
FORKS (Figure 184) HOOK TYPE	Page 376
FORKS (Figure 185) HOOK TYPE	Page 377
FORKS (Figure 186) PIN TYPE	Page 378
FORKS (Figure 187) BLOCK TYPE 48 INCH CARRIAGE	Page 379
FORKS (Figure 188) BLOCK TYPE 62 INCH CARRIAGE	Page 380
FORKS (Figure 199) HOOK TYPE	Page 406
FORKS (Figure 200) HOOK TYPE	Page 407
FORKS (Figure 201) PIN TYPE	Page 408
FORKS (Figure 202) BLOCK TYPE 48 INCH CARRIAGE	Page 409
FORKS (Figure 203) BLOCK TYPE 62 INCH CARRIAGE	Page 410

TABLE OF CONTENTS

<u>DESCRIPTION</u>	<u>PAGE NO.</u>
F (Continued)	
FORWARD AND REVERSE SWITCH (Figure 133) POWERSHIFT	Page 276
FORWARD LINKAGE AND REVERSE SHIFT LEVER (Figure 132) POWERSHIFT	Page 274
FREE LIFT (Figure 178) THREE-STAGE FFL	Page 364
FREE LIFT (Figure 192) TWO-STAGE FFL	Page 388
FREE-LIFT CYLINDER (Figure 195) TWO-STAGE FFL	Page 396
FREE-LIFT CYLINDER (Figure 180) THREE-STAGE FFL	Page 368
FUEL (Figure 62) LPG FIRST USED ON S/N G005D-7760 (EXCEPT S/N 7830-7832, 7834-7837, 7840 AND 7841) AND INCLUDES S/N G005D-7710	Page 128
FUEL SYSTEM (Figure 61) LPG LAST USED ON S/N G005D-7759 (INCLUDING S/N 7830-7832, 7834-7837, 7840 AND 7841), EXCEPT S/N G005D-7710	Page 126
FUEL SYSTEM (Figure 65) GASOLINE	Page 134
FUEL TANK (Figure 60) GASOLINE	Page 124
FUEL TANK (Figure 64) DIESEL	Page 132
FUEL TANK (Figure 66) LPG	Page 136
G	
GAUGE CLUSTER (Figure 101)	Page 207
GOVERNOR (Figure 69)	Page 142

TABLE OF CONTENTS

DESCRIPTION	PAGE NO.
H	
HAND PUMP (Figure 147)	Page 305
HEADER HOSES (Figure 166) TWO-STAGE LIMITED FREE LIFT MAST	Page 344
HEADER HOSES (Figure 181) THREE-STAGE FULL FREE LIFT MAST	Page 370
HEADER HOSES (Figure 196) TWO-STAGE FULL FREE LIFT MAST	Page 398
HEATER (Figure 225)	Page 450
HIGH PRESSURE FUEL INJECTION & PUMP (Figure 83) WITHOUTLOW EMISSIONS LAST USED ON S/N G005A-10666	Page 162
HIGH PRESSURE FUEL INJECTION & PUMP (Figure 84) WITH LOW EMISSIONS FIRST USED ON S/N G005A-10667	Page 164
HOOD (Figure 4)	Page 8
HYDRAULIC PUMP (Figure 154)	Page 319
HYDRAULIC SYSTEM (Figure 150) TANK CONNECTIONS & LINES	Page 310
HYDRAULIC SYSTEM (Figure 151)	Page 312
I	
INNER MAST (Figure 163) TWO-STAGE LFL	Page 338
INNER MAST (Figure 176) THREE-STAGE FFL	Page 360
INNER MAST (Figure 190) TWO-STAGE FFL	Page 384
INSTRUMENT PANEL (Figure 100)	Page 204
INTERMEDIATE MAST (Figure 175) THREE-STAGE FFL	Page 358

TABLE OF CONTENTS

<u>DESCRIPTION</u>	<u>PAGE NO.</u>
L	
LABELS AND PAINT (Figure 8)	Page 14
LIFT CYLINDER (Figure 165) TWO-STAGE LFL	Page 342
LIFT EYE (Figure 220)	Page 440
LIFT PUMP (Figure 78) DIESEL (WITHOUT LOW EMISSIONS) LAST USED ON S/N G005A-10666	Page 154
LIFT PUMP (Figure 79) DIESEL (WITH LOW EMISSIONS) FIRST USED ON S/N G005A-10667	Page 155
LIGHTS (Figure 223)	Page 446
LOAD BACKREST EXTENSION (Figure 9)	Page 16
LOCK-OFF FILTER (Figure 70) LPG	Page 143
LOW PRESSURE FUEL INJECTION (Figure 81) WITHOUT LOW EMISSIONS LAST USED ON S/N G005A-10666	Page 158
LOW PRESSURE FUEL INJECTION (Figure 82) WITH LOW EMISSIONS FIRST USED ON S/N G005A-10667	Page 160
LPG CONVERTER (Figure 71) LAST USED ON S/N G005D-2849	Page 144
LPG CONVERTER (Figure 72) USED ON S/N G005D-2850 THRU S/N g005d-11516	Page 145
LPG CONVERTER (Figure 73) FIRST USED ON S/N g005d-11517	Page 146
M	
MAIN LIFT CYLINDER (Figure 193) TWO-STAGE FFL LAST USED ON S/N PENDING PER ECN 85020-76	Page 390
MAIN LIFT CYLINDER (Figure 194) VISTA 2 STAGE-FFL FIRST USED ON S/N PENDING PER ECN 85020-76	Page 392

TABLE OF CONTENTS

DESCRIPTION	PAGE NO.
M (Continued)	
MAIN LIFT (Figure 164) TWO-STAGE LFL	Page 340
MAIN LIFT (Figure 177) THREE-STAGE FFL	Page 362
MAIN LIFT (Figure 191) TWO-STAGE FFL	Page 386
MAIN-LIFT CYLINDER (Figure 179) THREE-STAGE FFL	Page 366
MANIFOLDS (Figure 48) DIESEL (WITHOUT LOW EMISSIONS) LAST USED ON S/N G005D-11942	Page 96
MANIFOLDS (Figure 56) DIESEL (WITH LOW EMISSIONS) FIRST USED ON S/N G005D-11942	Page 112
MONOTROL PEDAL (Figure 135) POWERSHIFT	Page 278
O	
OIL FILTER (Figure 44) DIESEL	Page 88
OIL PAN AND PUMP (Figure 46) DIESEL (WITHOUT LOW EMISSIONS) LAST USED ON S/N G005D-11942	Page 92
OIL PAN AND PUMP (Figure 54) DIESEL (WITH LOW EMISSIONS) FIRST USED ON S/N G005D-11942	Page 108
OIL PUMP (Figure 18) GASOLINE & LPG 2KM 1992 SERIES ENGINE	Page 36
OIL PUMP (Figure 22) GASOLINE & LPG 3KM 1993 SERIES ENGINE	Page 44
OIL PUMP (Figure 39) GASOLINE & LPG 4LM 1994, 5LM 1995, 1996 THRU 2000 SERIES ENGINE	Page 78
OUTER MAST (Figure 162) TWO-STAGE LFL	Page 336

TABLE OF CONTENTS

DESCRIPTION	PAGE NO.
O (Continued)	
OUTER MAST (Figure 174) THREE-STAGE FFL	Page 356
OUTER MAST (Figure 189) TWO-STAGE FFL	Page 382
OVERHEAD GUARD (Figure 6)	Page 12
P	
PARK BRAKE (Figure 139)	Page 286
S	
SEAT (Figure 3)	Page 6
SERPENTINE BELT DRIVE (Figure 13) GASOLINE AND LPG USED ON S/N G005D-4578 THRU G005D-7759 (INCLUDING S/N 7830-7832, 7834-7837, 7840, AND 7841) EXCEPT S/N G005D-7710	Page 26
SERPENTINE BELT DRIVE (Figure 14) GASOLINE AND LPG FIRST USED ON S/N G005D-7760 (EXCEPT S/N 7830-7832, 7834-7837, 7840, AND 7841) AND INCLUDES S/N G005D-7710	Page 28
SIDESHIFT CARRIAGE (Figure 205) THREE-STAGE FFL AND TWO-STAGE FFL MASTS PIN TYPE H70-80XL & H90XLS	Page 416
SIDESHIFT CARRIAGE (Figure 204) TWO-STAGE LIMITED FREE LIFT MAST PIN TYPE H70-80XL & H90XLS	Page 414
SIDESHIFT CARRIAGE (Figure 206) PIN TYPE H90-110XL	Page 418
SIDESHIFT CARRIAGE (Figure 209) HOOK TYPE TWO-STAGE LFL MAST	Page 422
SIDESHIFT CARRIAGE (Figure 210) HOOK TYPE THREE-STAGE FULL FREE LIFT MAST	Page 424
SIDESHIFT CARRIAGE (Figure 211) HOOK TYPE TWO-STAGE FULL FREE LIFT MAST	Page 426

TABLE OF CONTENTS

<u>DESCRIPTION</u>	<u>PAGE NO.</u>
S (Continued)	
SIDESHIFT CARRIAGE (Figure 212) SERIES 1356000	Page 428
SIDESHIFT CYLINDER (Figure 207) PIN TYPE IDENTIFY BY PART NUMBER	Page 420
SIDESHIFT CYLINDER (Figure 208) PIN TYPE IDENTIFY BY PART NUMBER	Page 421
SIDESHIFT CYLINDER (Figure 213) HOOK TYPE	Page 430
SIDESHIFT CYLINDER (Figure 214) SERIES 1360000	Page 431
SOUND LINER (Figure 227)	Page 453
SPEED REDUCER (Figure 131)	Page 272
STARTER (Figure 108) GASOLINE AND LPG LAST USED ON DATE BREAK 8/95	Page 223
STARTER (Figure 109) GASOLINE AND LPG USED ON S/N DATE BREAK 8/95 THRU G005D-7759 (INCLUDING S/N 7830-7832, 7834-7837, 7840 AND 7841) EXCEPT S/N G005D-7710	Page 224
STARTER (Figure 110) GASOLINE AND LPG FIRST USED ON S/N G005D-7760 (EXCEPT S/N 7830-7832, 7834-7837, 7840 AND 7841) INCLUDING S/N G005D-7710	Page 226
STARTER (Figure 111) DIESEL	Page 228
STARTER (Figure 112) DIESEL (OPTIONAL)	Page 230
STEERING AXLE (Figure 148)	Page 306
STEERING COLUMN (Figure 146)	Page 302
STEERING CYLINDER (Figure 149)	Page 308

TABLE OF CONTENTS

<u>DESCRIPTION</u>	<u>PAGE NO.</u>
S (Continued)	
STEERING (Figure 145) HYDRAULIC LINES	Page 301
STROBE LIGHT (Figure 221) MEDIUM INTENSITY	Page 442
STROBE LIGHT (Figure 222) HIGH INTENSITY	Page 444
T	
THROTTLE BODY INJECTOR (Figure 74)	Page 148
THROTTLE LINKAGE (Figure 75)	Page 150
THROTTLE PEDAL (Figure 76) OIL CLUTCH AND POWERSHIFT WITH FORWARD/REVERSE LEVER	Page 152
THROTTLE PEDAL (Figure 77) POWERSHIFT WITH MONOTROL PEDAL	Page 153
TILT CYLINDER (Figure 155)	Page 320
TIMING GEAR (Figure 45) DIESEL (WITHOUT LOW EMISSIONS) LAST USED ON S/N G005D-11942	Page 90
TIMING GEAR (Figure 53) DIESEL (WITH LOW EMISSIONS) FIRST USED ON S/N G005D-11942	Page 106
TIRES AND WHEELS (Figure 215) SINGLE DRIVE WHEEL H70-80XL & H90XLS LEMMERZ BRAND WHEELS	Page 432
TIRES AND WHEELS (Figure 216) SINGLE DRIVE WHEEL ADVANCE BRAND WHEELS	Page 434
TIRES AND WHEELS (Figure 217) DUAL DRIVE WHEEL H70-80XL & H90XLS	Page 436
TIRES AND WHEELS (Figure 218) STEER WHEEL	Page 438
TORQUE CONVERTER (Figure 129) POWERSHIFT	Page 269

TABLE OF CONTENTS

DESCRIPTION	PAGE NO.
T (Continued)	
TRANSMISSION CONTROL VALVE (Figure 126) POWERSHIFT WITH MONOTROL PEDAL	Page 264
TRANSMISSION CONTROL VALVE (Figure 127) POWERSHIFT WITH FORWARD/REVERSE LEVER	Page 266
TRANSMISSION (Figure 128) POWERSHIFT	Page 268
TRANSMISSION GEARS (Figure 121) OIL CLUTCH	Page 254
TRANSMISSION HOUSING (Figure 122) OIL CLUTCH	Page 256
TRANSMISSION PIPING (Figure 134) POWERSHIFT	Page 277
U	
UNIVERSAL JOINT (Figure 136)	Page 279
V	
VALVE COVER AND INLET MANIFOLD (Figure 36) GASOLINE AND LPG 2000 SERIES ENGINE	Page 72
VALVE COVER AND INTAKE MANIFOLD (Figure 25) GASOLINE & LPG 4LM 1994 SERIES ENGINE	Page 50
VALVE COVER AND ROCKER SHAFT (Figure 47) DIESEL (WITHOUT LOW EMISSIONS) LAST USED ON S/N G005D-11942	Page 94
VALVE COVER AND ROCKER SHAFT (Figure 55) DIESEL (WITH LOW EMISSIONS) FIRST USED ON S/N G005D-11942	Page 110
VALVE COVER (Figure 35) AND INLET MANIFOLD GASOLINE AND LPG	Page 70
VALVE COVERS & INLET MANIFOLD (Figure 29) GASOLINE & LPG 5LM 1995 SERIES ENGINE	Page 58

TABLE OF CONTENTS

DESCRIPTION	PAGE NO.
W	
WATER FILTER AND SEPARATOR (Figure 80) DIESEL	Page 156
WATER PUMP (Figure 58) DIESEL (WITH LOW EMISSIONS) FIRST USED ON ENGINE S/N U892126D	Page 116
WIPERS AND DEFROSTER FAN (Figure 226)	Page 452
WIRE HARNESS (Figure 113) GOVERNOR	Page 233
WIRE HARNESS (Figure 114) MAIN ENGINE GAS LAST USED ON S/N G005D-51475, G005D-51483 PILOT TRUCK (SHEET 1 of 4)	Page 234
WIRE HARNESS (Figure 116) ENGINE LPG	Page 242
WIRE HARNESS (Figure 117) OIL CLUTCH	Page 245
WIRE HARNESS (Figure 118) MAIN INSTRUMENT	Page 246
WIRE HARNESS (Figure 119) NEUTRAL START WITH FORWARD/REVERSE LEVER	Page 248
WIRE HARNESS (Figure 120) NEUTRAL START WITH MONOTROL PEDAL	Page 249

ABBREVIATIONS QUICK REFERENCE SHEET

Listed Below Are Abbreviations Used In Parts Manuals To Denote The Following Expressions:

2-STG	Two Stage Mast
3-STG	Three Stage Mast
4-STG	Four Stage Mast
Amp	Amperes
AR	As Required
BCS	Box Car Special
BWI	Brush Wear Indicator
CE	Commutator End
CRE	Corrosive Environment
dbA	Decibel "A" Scale
DE	Drive End
EC or ECH	Empty Container Handler Europe Empty Container Handler U.S.
EC-3 ECH-3	Empty Container Handler-3 High Stacking
EC-4 ECH-4	Empty Container Handler-4 High Stacking
EC-5 ECH-5	Empty Container Handler-5 High Stacking
EC-6 ECH-6	Empty Container Handler-6 High Stacking
EC-7 ECH-7	Empty Container Handler-7 High Stacking
ECM	Electronic Control Module
ECN	Engineering Change Notice
EEPROM	Electrically Erasable Programable Read Only Memory
EPROM	Electrically Programable Read Only Memory
EGR	Exhaust Gas Recirculation
FFL	Full Free Lift
FLT	Fork Lift Truck
FRE	Freezer Environment
in.	inches
I.D.	Inside Diameter
LFL	Limited Free Lift
LPG	Liquified Petroleum Gas
MAP	Manifold Absolute Pressure
mm	millimeters
MSTS	Microprocessor Spark Timing System

NC	Normally Closed
NDE	Not Drive End (Commutator End)
NFL	No Free Lift
NI	Not Illustrated
NO	Normally Open
NPT	National Pipe Threads
NS	Neutral Start
OC	Oil Clutch Transmission
O.D.	Outside Diameter
O/S	Oversize
PS	Powershift Transmission
PTO	Power Take Off
RPM	Revolutions per Minute
S/N	Serial Number
SFL	Semi-Free Lift
TMM	Truck Management Module
Type D	UL Type D, Diesel-Powered Safety Rating
Type DS	UL Type DS, Diesel-Powered Safety Rating
Type E	UL Type E, Battery Powered Safety Rating
Type EE	UL Type EE, Battery-Powered Safety Rating
Type ES	UL Type ES, Battery-Powered Safety Rating
Type G	UL Type G, Gasoline-Powered Safety Rating
Type GS	UL Type GS, Gasoline-Powered Safety Rating
Type LP	UL Type LP, LP Gas-Powered Safety Rating
Type LPS	UL Type LPS, LP Gas-Powered Safety Rating
U/S	Undersize
UL	Underwriters Laboratory
UK	United Kingdom
U.S.	United States
V	Volts
Xmsn	Transmission

