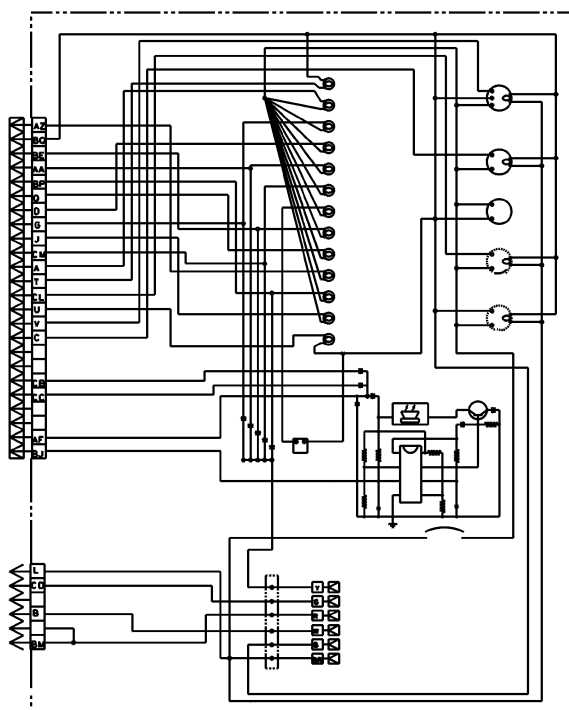


# DIAGRAMS

S2.00-3.20XM (S40-65XM) [D187]



HM210070

# **HYSTER**

# SAFETY PRECAUTIONS

## MAINTENANCE AND REPAIR

- When lifting parts or assemblies, make sure all slings, chains, or cables are correctly fastened, and that the load being lifted is balanced. Make sure the crane, cables, and chains have the capacity to support the weight of the load.
- Do not lift heavy parts by hand, use a lifting mechanism.
- Wear safety glasses.
- **DISCONNECT THE BATTERY CONNECTOR** before doing any maintenance or repair on electric lift trucks. Disconnect the battery ground cable on internal combustion lift trucks.
- Always use correct blocks to prevent the unit from rolling or falling. See **HOW TO PUT THE LIFT TRUCK ON BLOCKS** in the **Operating Manual** or the **Periodic Maintenance** section.
- Keep the unit clean and the working area clean and orderly.
- Use the correct tools for the job.
- Keep the tools clean and in good condition.
- Always use **HYSTER APPROVED** parts when making repairs. Replacement parts must meet or exceed the specifications of the original equipment manufacturer.
- Make sure all nuts, bolts, snap rings, and other fastening devices are removed before using force to remove parts.
- Always fasten a **DO NOT OPERATE** tag to the controls of the unit when making repairs, or if the unit needs repairs.
- Be sure to follow the **WARNING** and **CAUTION** notes in the instructions.
- Gasoline, Liquid Petroleum Gas (LPG), Compressed Natural Gas (CNG), and Diesel fuel are flammable. Be sure to follow the necessary safety precautions when handling these fuels and when working on these fuel systems.
- Batteries generate flammable gas when they are being charged. Keep fire and sparks away from the area. Make sure the area is well ventilated.

**NOTE:** The following symbols and words indicate safety information in this manual:



### **WARNING**

**Indicates a condition that can cause immediate death or injury!**



### **CAUTION**

**Indicates a condition that can cause property damage!**

## TABLE OF CONTENTS

Diagrams, Schematics, or Arrangements .....	1
Figure 1. GM 3.0L Gasoline Engine Wiring Diagram (Early Models) .....	2
Figure 2. GM 3.0L Gasoline Engine Wiring Diagram (Late Models) .....	6
Figure 3. GM 3.0L LPG Engine With MSTS Wiring Diagram (Early Models) .....	10
Figure 4. GM 3.0L LPG Engine With MSTS Wiring Diagram - IMPCO System .....	12
Figure 5. GM 3.0L LPG Engine With MSTS Wiring Diagram - Aisan System .....	14
Figure 6. GM 3.0L LPG Engine Without MSTS Wiring Diagram (Early Models) .....	16
Figure 7. GM 3.0L LPG Engine Without MSTS Wiring Diagram - IMPCO System .....	18
Figure 8. GM 3.0L LPG Engine Without MSTS - Aisan System .....	20
Figure 9. GM 3.0L LPG Engine Closed Loop .....	22
Figure 10. GM 3.0L Gas and LPG EPA Compliant Engine Electrical Schematic .....	26
Figure 11. Mazda 2.0L and 2.2L Gasoline Engine Wiring Diagram .....	30
Figure 12. Mazda 2.0L and 2.2L LPG Engine Wiring Diagram - IMPCO Closed-Loop .....	32
Figure 13. Mazda 2.0L and 2.2L LPG Engine Wiring Diagram - Aisan Open-Loop .....	34
Figure 14. Mazda 2.0L and 2.2L LPG Engine Wiring Diagram - Aisan Closed-Loop .....	36
Figure 15. Mazda 2.0L and 2.2L Engine Wiring Diagram - Powertrain Protection .....	37
Figure 16. Mazda 2.0L and 2.2L Engine With Dual Fuel System Wiring Diagram .....	38
Figure 17. GM 3.0L Engine With Dual Fuel System Wiring Diagram (Late Models) .....	40
Figure 18. GM 3.0L Gasoline Engine Electrical Schematic (Late Models) .....	44
Figure 19. GM 3.0L LPG Engine Electrical Schematic (Late Models) .....	48
Figure 20. Mazda 2.0L and 2.2L Gasoline Engine Electrical Schematic (Late Models) .....	54
Figure 21. Mazda 2.0L and 2.2L LPG Engine Electrical Schematic - Aisan System .....	56
Figure 22. Chassis Wiring Diagram (Late Models) .....	58
Figure 23. UL Safety Classification Wiring Diagram .....	60
Figure 24. Lights Wiring Diagram (Early Models) .....	62
Figure 25. Wiring Diagram Chassis and Cluster (Late Models) .....	64
Figure 26. Hydraulic System Schematic .....	72
Figure 27. Hydraulic System Arrangement .....	73
Figure 28. Hydraulic Schematic for Transmission (Neutral) .....	74

This section is for the following models:

S2.00-3.20XM (S40-65XM) [D187]

**"THE  
QUALITY  
KEEPERS"**

**HYSTER  
APPROVED  
PARTS**

### NOTES

---

---

---

---

---

---

---

---

---

---

---

---

---

---

---

---

---

---

---

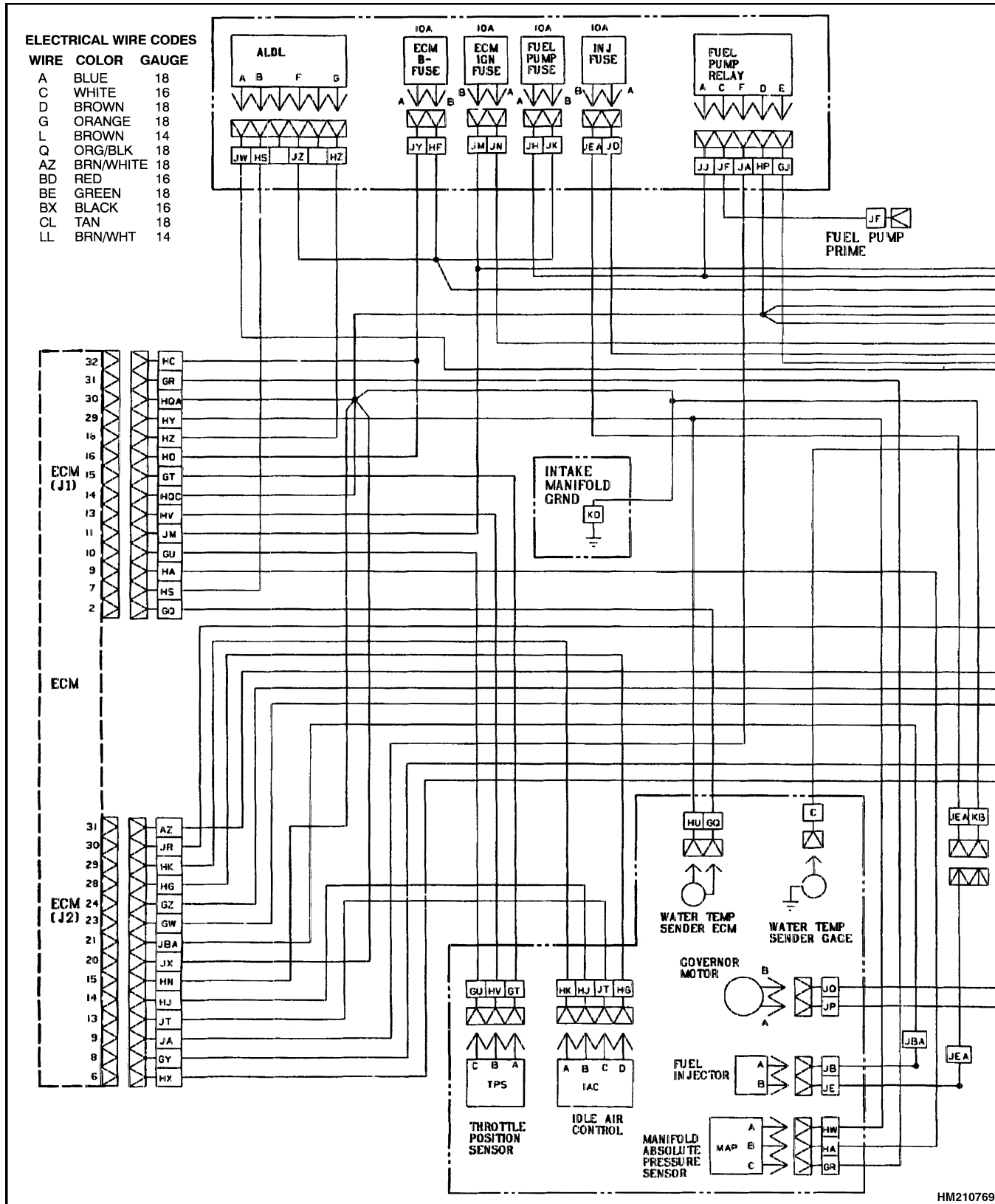
---

---

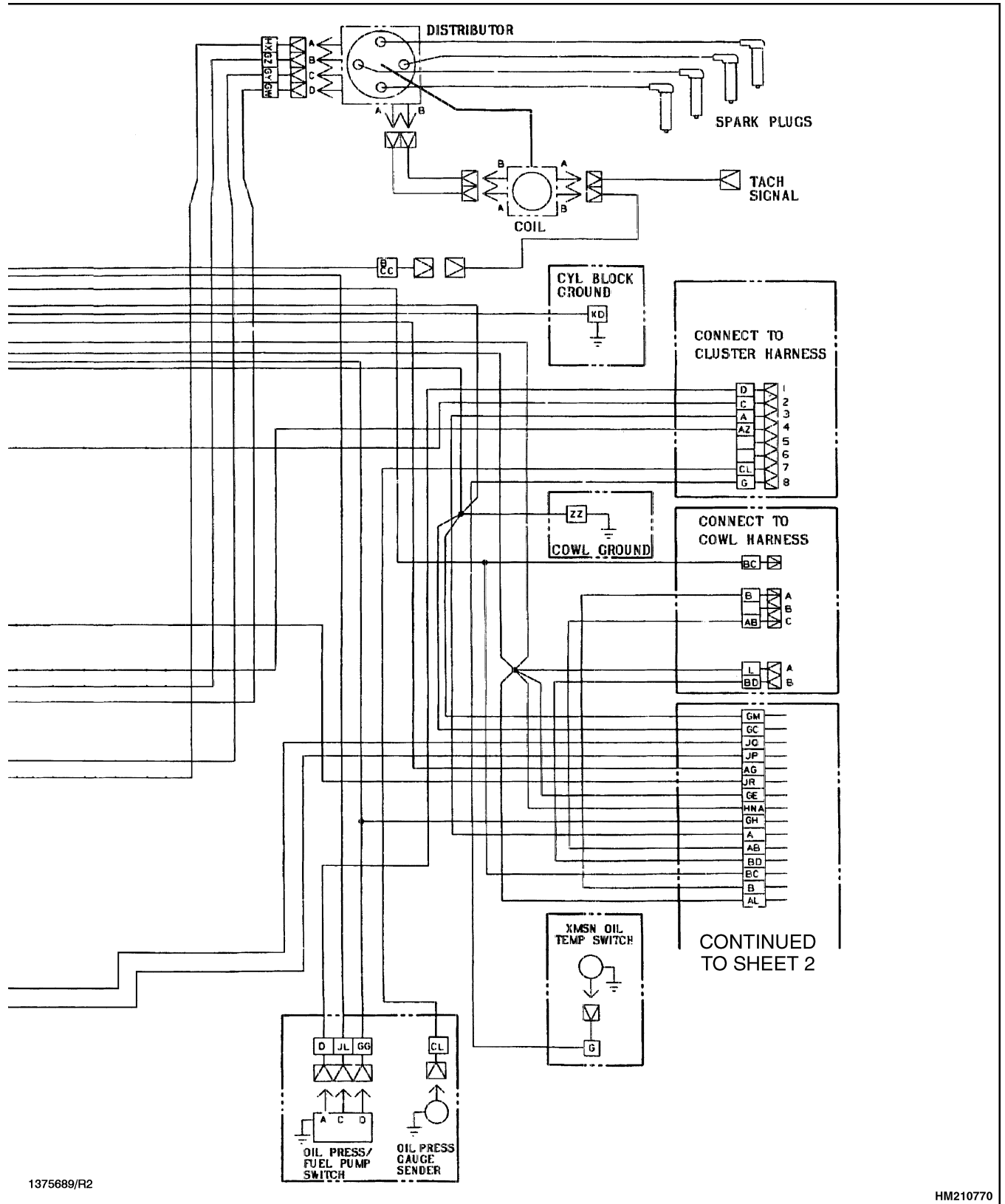
---

---

---



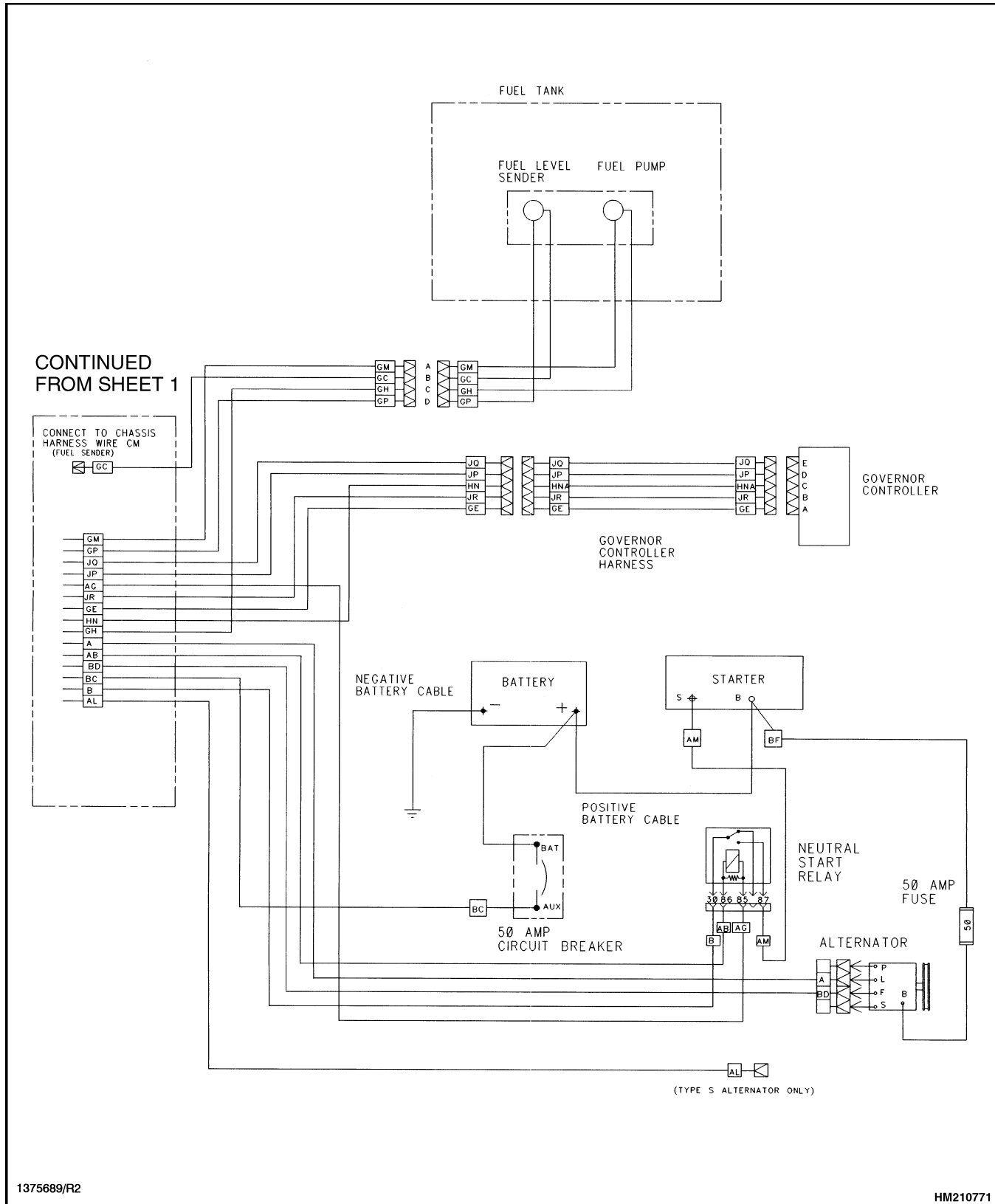
HM210769



1375689/R2

HM210770

Figure 1. GM 3.0L Gasoline Engine Wiring Diagram (Early Models) (Sheet 1 of 2)



1375689/R2

HM210771

Figure 1. GM 3.0L Gasoline Engine Wiring Diagram (Early Models) (Sheet 2 of 2)