

# 2006 DMAX SERVICE PARTS CATALOG

## COMMERCIAL HUMMER H1

### AM GENERAL LLC

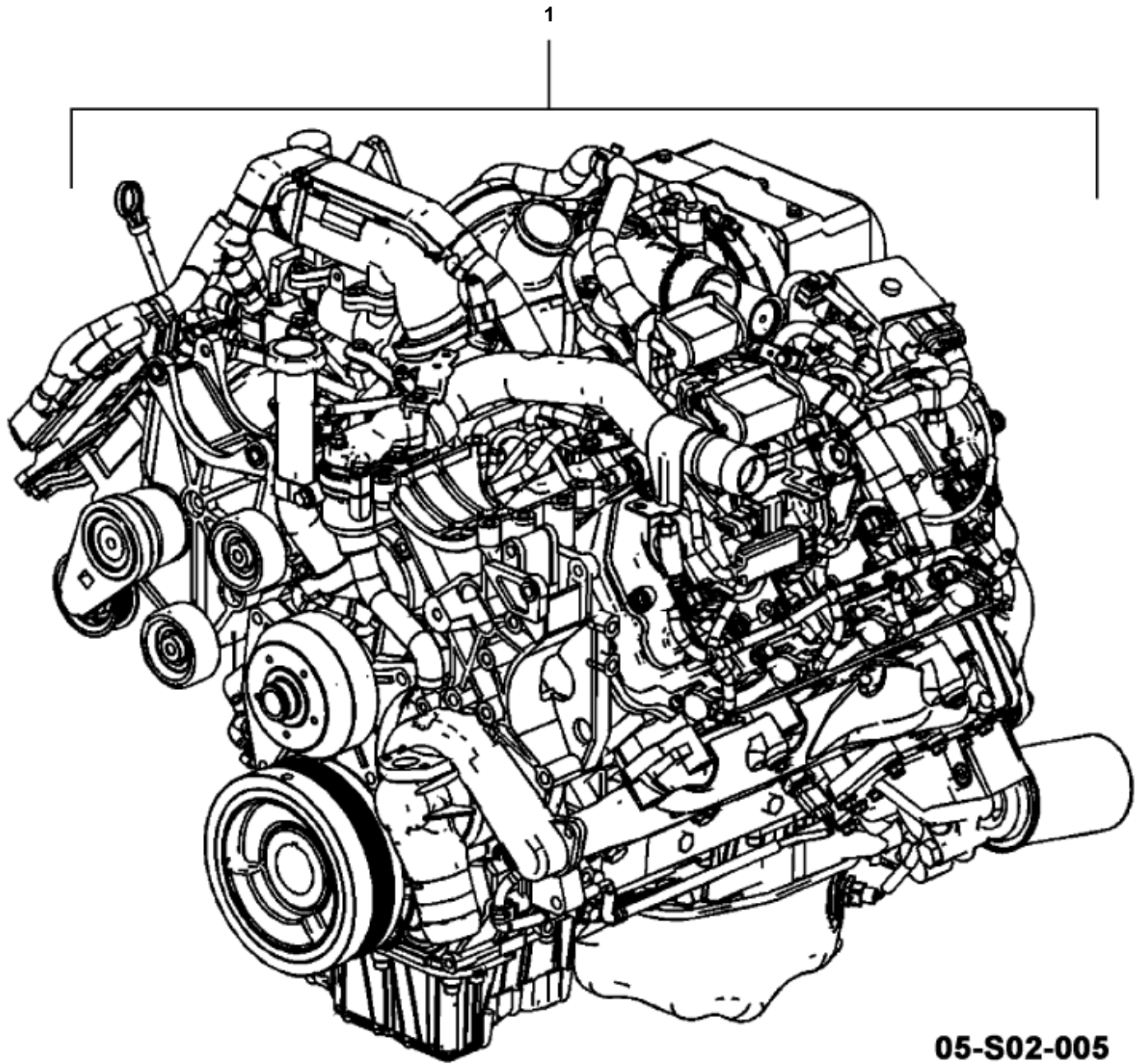
408 South Byrkit Avenue  
P.O. Box 728  
Mishawaka, Indiana 46546-0728

AM General Number  
Copyright ©2006  
All Rights Reserved. Printed in U.S.A.

HUMMER® is a registered trademark of  
General Motors Corporation.

### TABLE OF CONTENTS

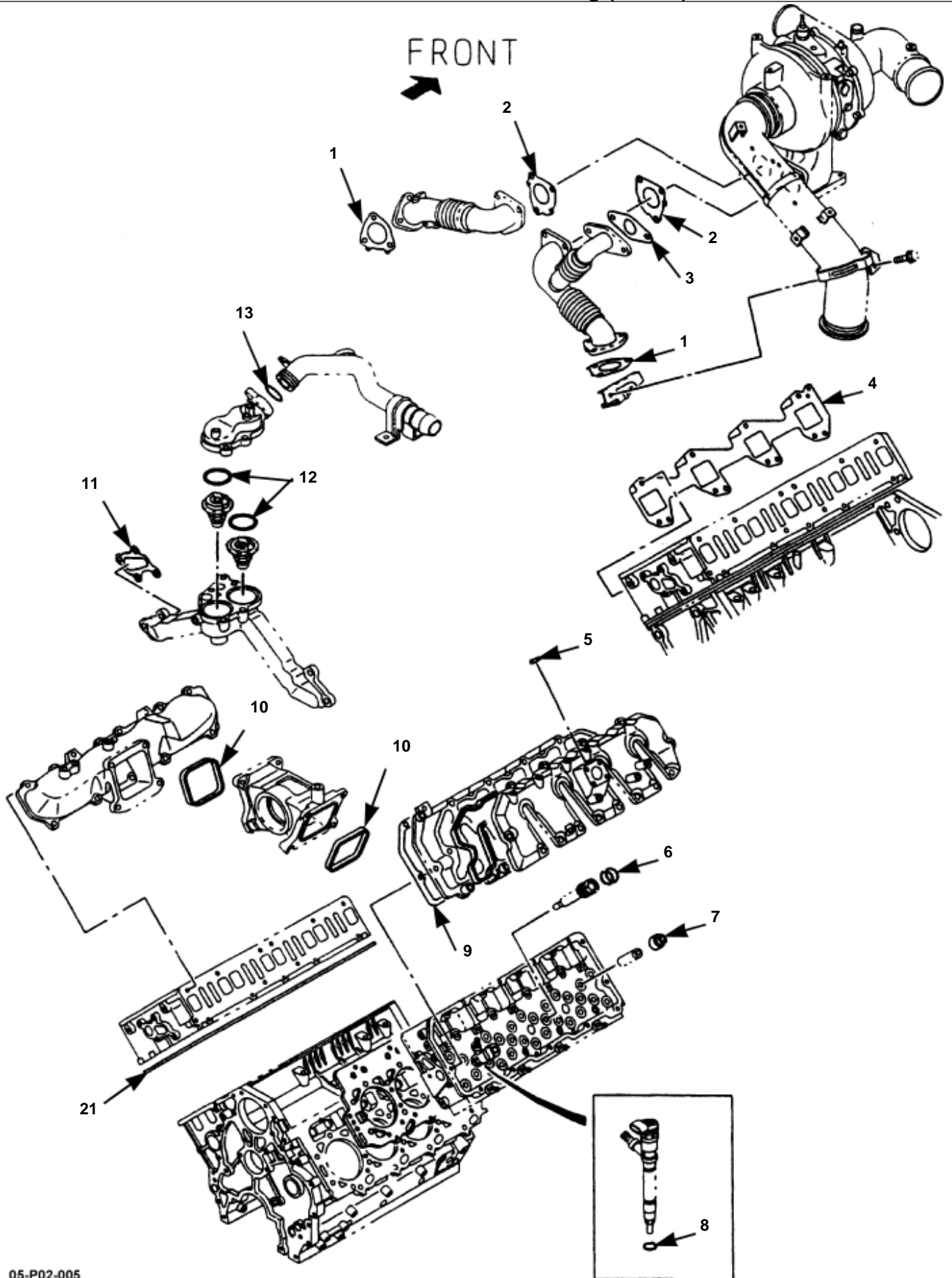
General Information	1
Engine	2
Fuel, Emissions and Exhaust	3
Cooling System	4
Transmission/Transfer Case	5
Wheels and Tires/ Central Tire Inflation System	6
Brake System	7
Steering System	8
Axles/Suspension/Frame	9
Body	10
Heating/Ventilation/ Air Conditioning (HVAC)	11
Electrical	12
Accessories	13
Index	14



## Engine Assembly

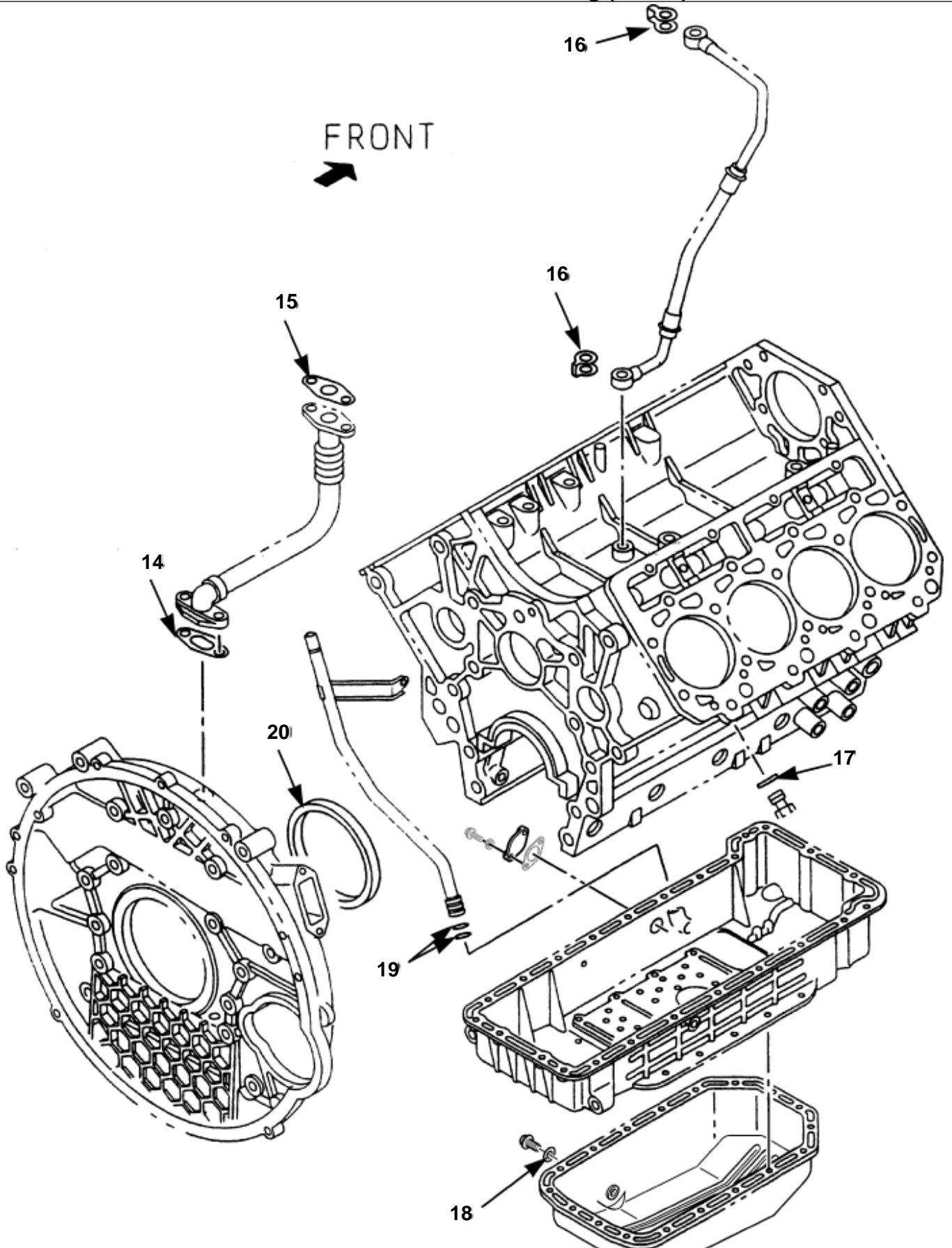
**Engine Assembly.**

Item	Part No.	Description	Qty
1	<b>6016681</b>	ENGINE, complete, DURAMAX	1
	<b>5746164</b>	ENGINE, longblock, 6.6L,, new, DURAMAX.	1



05-P02-005

### Engine Gaskets, Engine Cylinder Head (1 of 2)



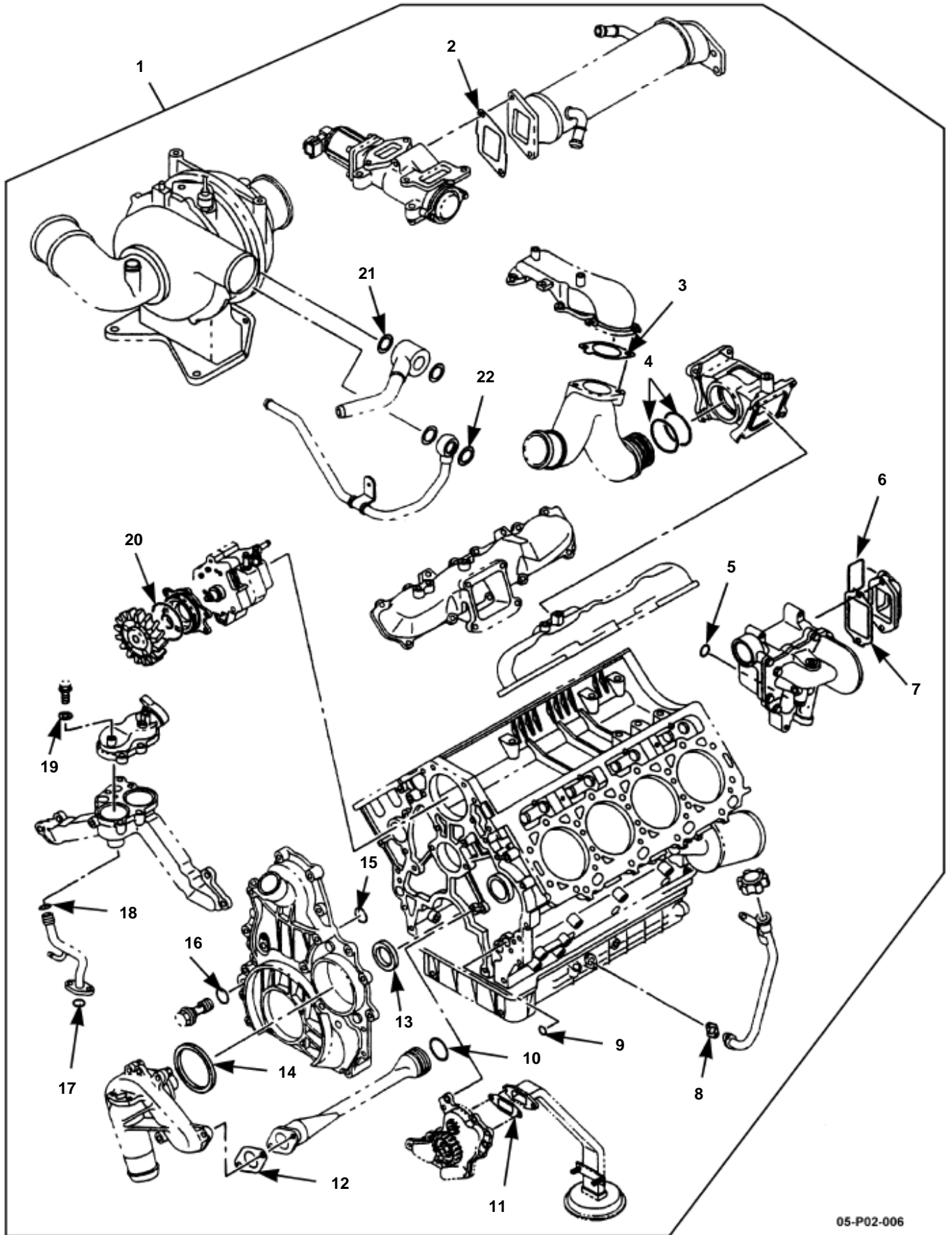
05-P02-007.2

Engine Gaskets, Engine Cylinder Head (2 of 2)

**Engine Gaskets, Engine Cylinder Head (Page 1 of 2).**

Item	Part No.	Description	Qty
1	<b>5745868</b>	.GASKET, exhaust manifold	2
2	<b>5745867</b>	.GASKET, exhaust manifold to turbo charger	2
3	<b>5745866</b>	.GASKET, exhaust pipe	1
4	<b>S.I.K.</b>	.GASKET, exhaust manifold to head, L.H.	1
	<b>S.I.K.</b>	.GASKET, exhaust manifold to head, R.H.	1
5	<b>S.I.K.</b>	.GASKET, crankcase ventilation system	1
6	<b>S.I.K.</b>	.GASKET, sleeve nozzle holder	4
7	<b>S.I.K.</b>	.GASKET, seal oil valve system	32
8	<b>5745889</b>	.O-RING, fuel injector	8
9	<b>S.I.K.</b>	.GASKET, head cover	2
10	<b>S.I.K.</b>	.GASKET, inlet pipe to manifold	2
11	<b>5745909</b>	.GASKET, thermostat housing	1
12	<b>S.I.K.</b>	.GASKET, thermostat	2
13	<b>5745864</b>	.GASKET, outlet pipe	1
14	<b>5745886</b>	.GASKET, tube, oil return, lower	1
15	<b>5745885</b>	.GASKET, tube, oil return, upper	1
16	<b>5746019</b>	.GASKET, pipe, turbo, oil feed	2
17	<b>S.I.K.</b>	.GASKET, oil pressure sensor	1
18	<b>5745879</b>	.GASKET, drain plug	1
19	<b>5745880</b>	.GASKET, tube, oil level	2
20	<b>5745875</b>	.GASKET, oil crankshaft	1
21	<b>5746012</b>	GASKET, cylinder head, L.H. GRADE A, 1.05, SEE NOTE 1	1
	<b>5746013</b>	GASKET, cylinder head, R.H. GRADE A, 1.05, SEE NOTE 1	1
	<b>5746014</b>	GASKET, cylinder head, L.H. GRADE B, 1.10, SEE NOTE 1	1
	<b>5746015</b>	GASKET, cylinder head, R.H. GRADE B, 1.10, SEE NOTE 1	1
	<b>5746016</b>	GASKET, cylinder head, L.H. GRADE C, 1.15, SEE NOTE 1	1
	<b>5746017</b>	GASKET, cylinder head, R.H. GRADE C, 1.15, SEE NOTE 1	1

NOTE 1: WHEN REPLACING THE CYLINDER HEAD GASKET, IT IS IMPORTANT TO USE THE CORRECT SIZE. PLEASE REFER TO YOUR SERVICE MANUAL.



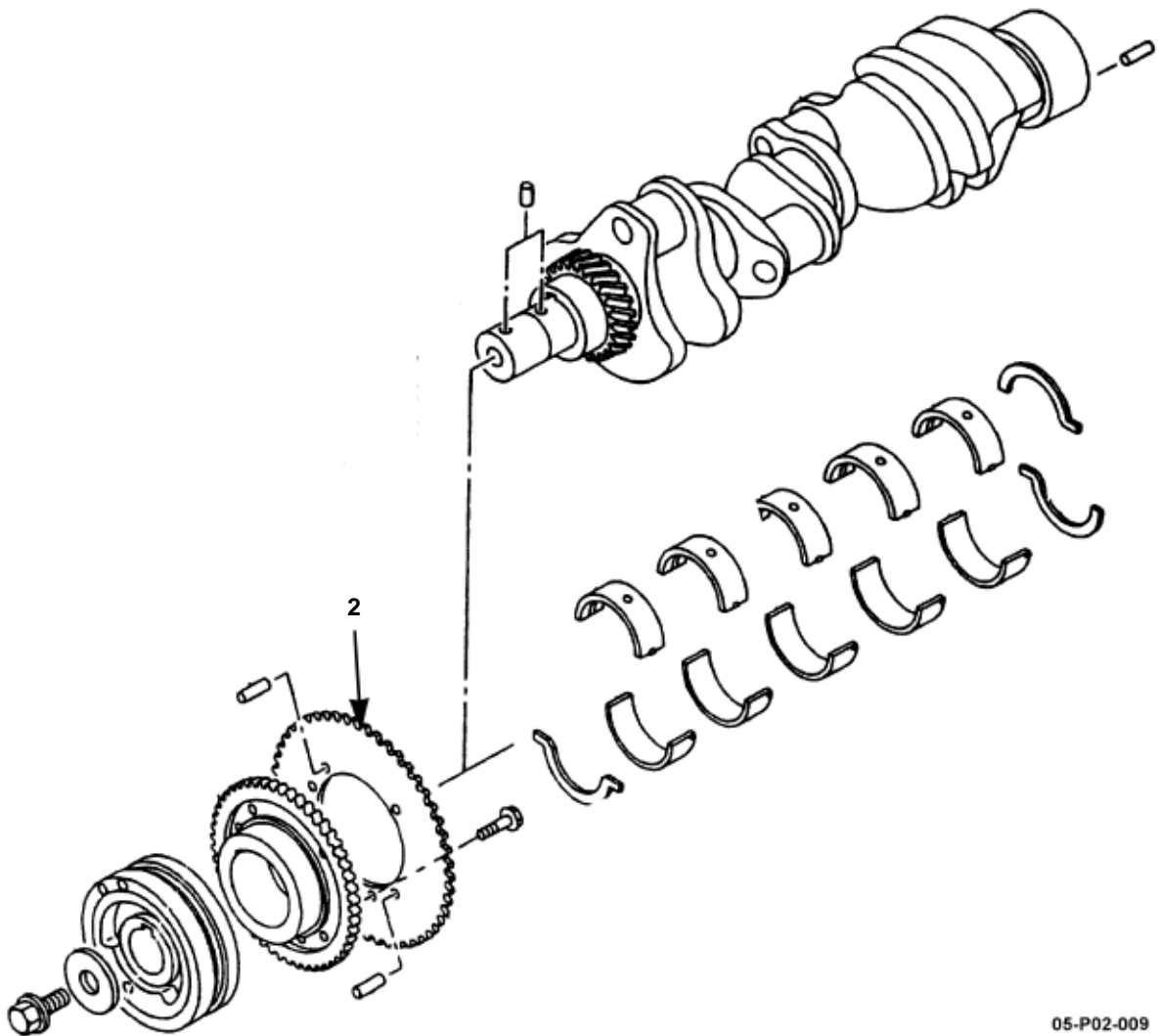
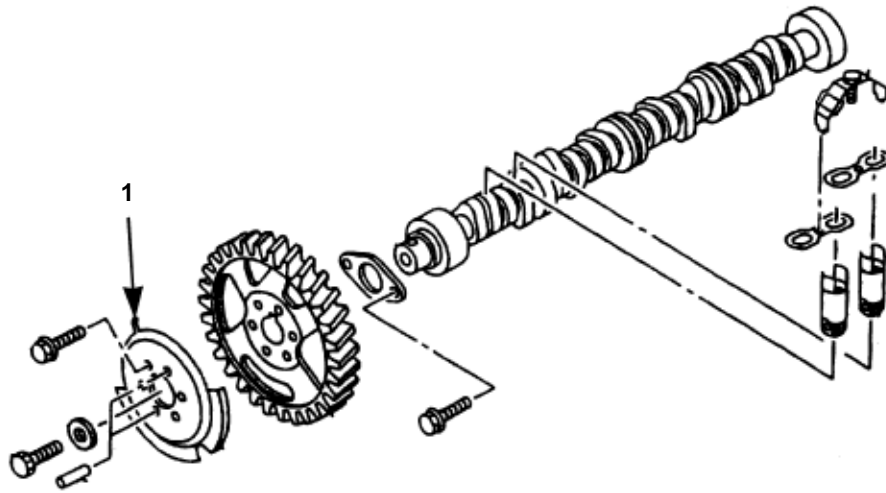
05-P02-006

## Engine Gasket Kit. Engine Overhaul

**Engine Gasket Kit. Engine Overhaul.**

Item	Part No.	Description	Qty
1	<b>5745915</b>	GASKET SET, engine overhaul	1
2	<b>5745893</b>	.GASKET, EGR cooler	1
3	<b>S.I.K.</b>	.GASKET, intake, top	1
4	<b>S.I.K.</b>	.O-RING, intake, rear	1
5	<b>S.I.K.</b>	.O-RING, oil cooler	1
6	<b>5745884</b>	.GASKET, water out	1
7	<b>5745883</b>	.GASKET, cooler adapter	1
8	<b>S.I.K.</b>	.O-RING, oil pipe, fill, (not used on duramax truck)	1
9	<b>S.I.K.</b>	.O-RING, oil pump	1
10	<b>5745912</b>	.O-RING, water pipe "A"	1
11	<b>5746018</b>	.GASKET, oil pipe	1
12	<b>5745913</b>	.GASKET, water pipe to water pump "B"	1
13	<b>5745876</b>	.SEAL, crankshaft	1
14	<b>5745911</b>	.GASKET, water pump	1
15	<b>S.I.K.</b>	.O-RING, valve, relief "A"	1
16	<b>S.I.K.</b>	.O-RING, valve, relief "B"	1
17	<b>5746006</b>	.O-RING, bypass pipe, bottom	1
18	<b>5746005</b>	.O-RING, bypass pipe, top	1
19	<b>S.I.K.</b>	.GASKET, plug	1
20	<b>S.I.K.</b>	.GASKET, fuel pump	1
21	<b>5745980</b>	.GASKET, pipe, turbo charger, large	1
22	<b>5745862</b>	.GASKET, pipe, turbo charger, water pipe	1



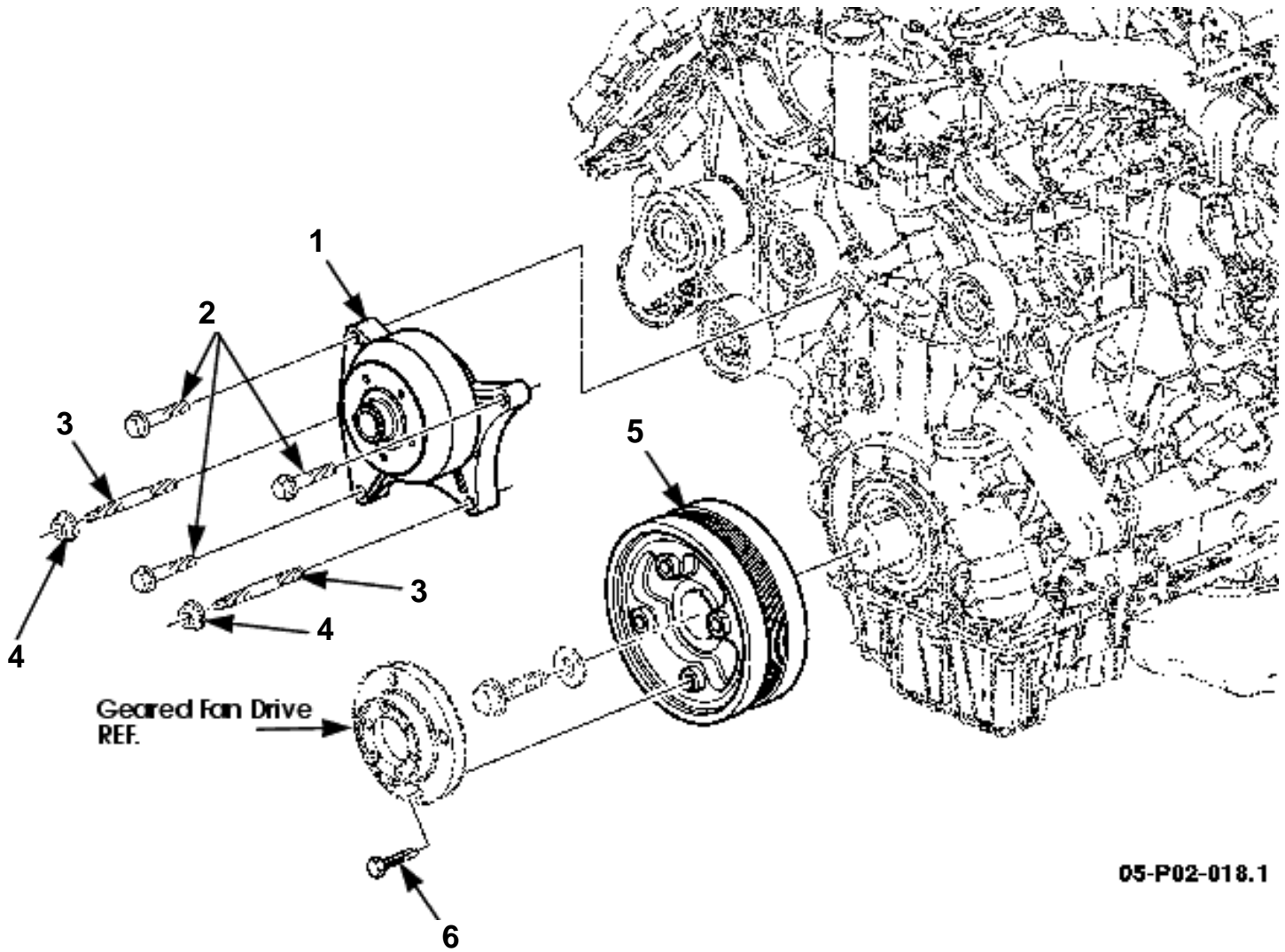


05-P02-009

## Camshaft and Crankshaft Reluctors

**Camshaft and Crankshaft Reluctors.**

Item	Part No.	Description	Qty
1	<b>5745964</b>	RELUCTOR, camshaft position	1
2	<b>5745963</b>	RELUCTOR, crankshaft position	1

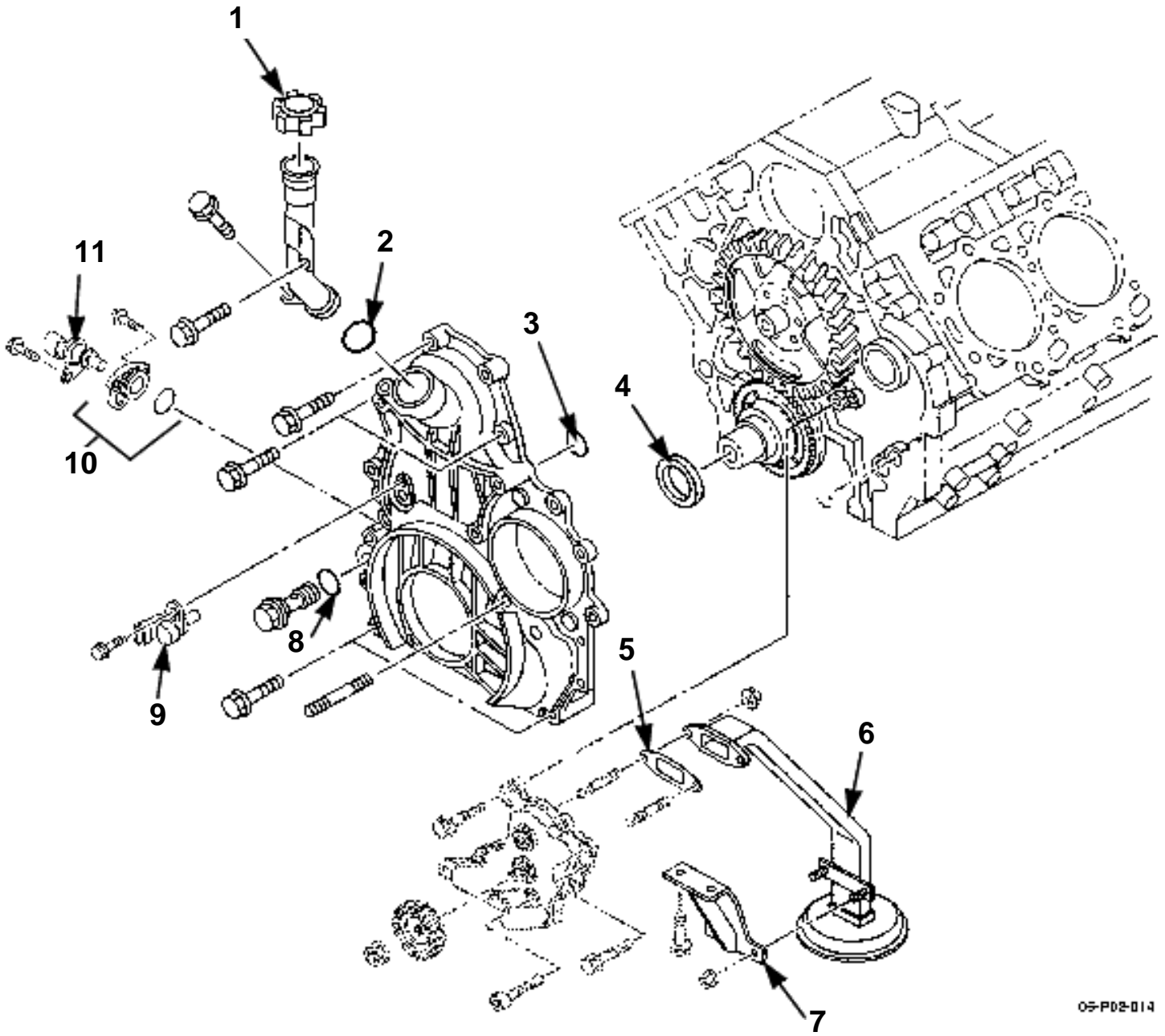


05-P02-018.1

## Crankshaft Damper and Center Idler Assembly

**Crankshaft Damper and Center Idler Assembly.**

Item	Part No.	Description	Qty
1	<b>5746335</b>	IDLER ASSEMBLY, center	1
2	<b>N/S</b>	BOLT, M10 x 90 flange bolt	3
3	<b>N/S</b>	STUD	2
4	<b>N/S</b>	NUT, M10, flanged	2
5	<b>GEP97371539</b>	CRANKSHAFT DAMPER	1
6	<b>12340845-2</b>	BOLT	4

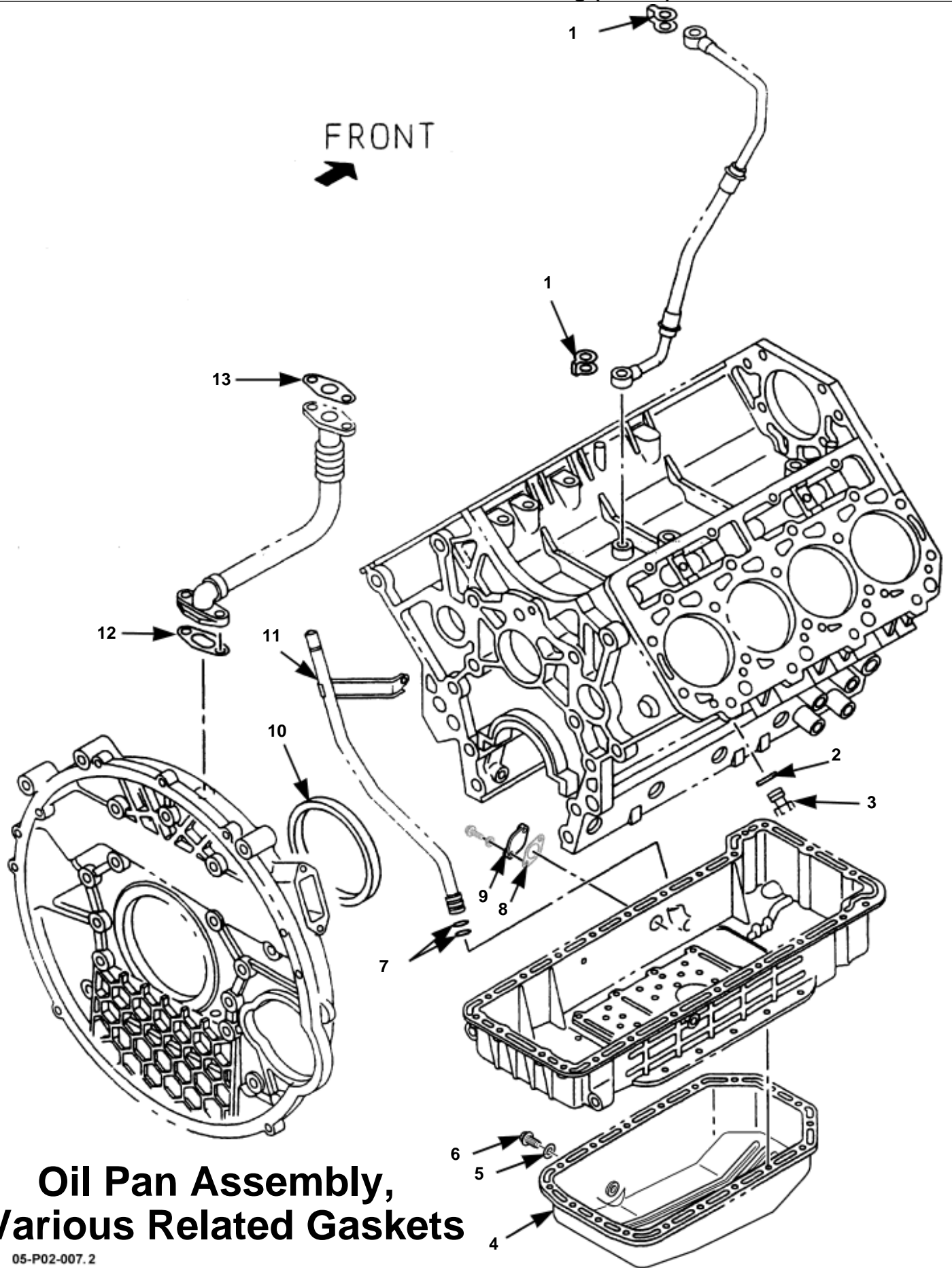


05-P02-014

# Crankshaft and Cam Position Sensors, Oil Fill Cap and Various Related Gaskets

**Crankshaft and Cam Position Sensors, Oil Fill Cap and Various Re**

Item	Part No.	Description	Qty
1	<b>5745873</b>	CAP, oil fill	1
2	<b>5745874</b>	GASKET, oil fill	1
3	<b>S.I.K.</b>	·O-RING, valve, relief "A"	1
4	<b>5745876</b>	SEAL, crankshaft	1
5	<b>5746018</b>	·GASKET, oil pipe	1
6	<b>GEP97370172</b>	OIL STRAINER	1
7	<b>GEP97374222</b>	BRACKET, oil strainer	1
8	<b>S.I.K.</b>	·O-RING, valve, relief "B"	1
9	<b>5745899</b>	SENSOR, cam position	1
10	<b>5745900</b>	GASKET, crankshaft position sensor	1
11	<b>5745902</b>	SENSOR, crankshaft position	1



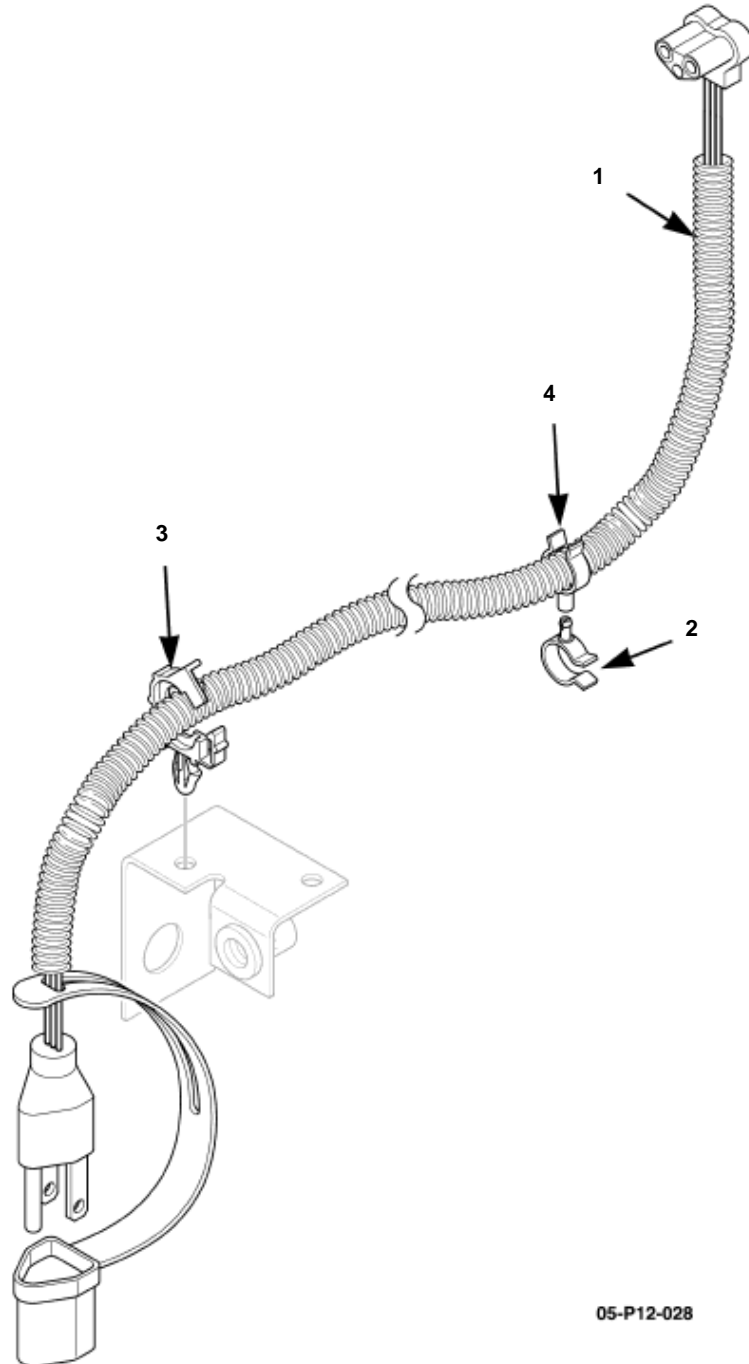
# Oil Pan Assembly, Various Related Gaskets

05-P02-007.2

**Oil Pan Assembly, Various Related Gaskets.**

Item	Part No.	Description	Qty
1	<b>5746019</b>	GASKET, pipe, turbo, oil feed	2
2	<b>S.I.K.</b>	GASKET, oil sensor	1
3	<b>5746007</b>	OIL PRESURE SENSOR	1
4	<b>GEP97370170</b>	OIL PAN ASSEMBLY	1
5	<b>5745879</b>	GASKET, drain plug	1
6	<b>5746149</b>	DRAIN PLUG	1
7	<b>5745880</b>	GASKET, tube, oil level	2
8	<b>GEP97240623</b>	GASKET, plate, crankcase	1
9	<b>GEP97370175</b>	PLATE, crankcase	1
10	<b>5745875</b>	GASKET, oil crankshaft	1
11	<b>GEP97370177</b>	TUBE, oil dip stick	1
12	<b>5745886</b>	GASKET, tube, oil return, lower	1
13	<b>5745885</b>	GASKET, tube, oil return, upper	1

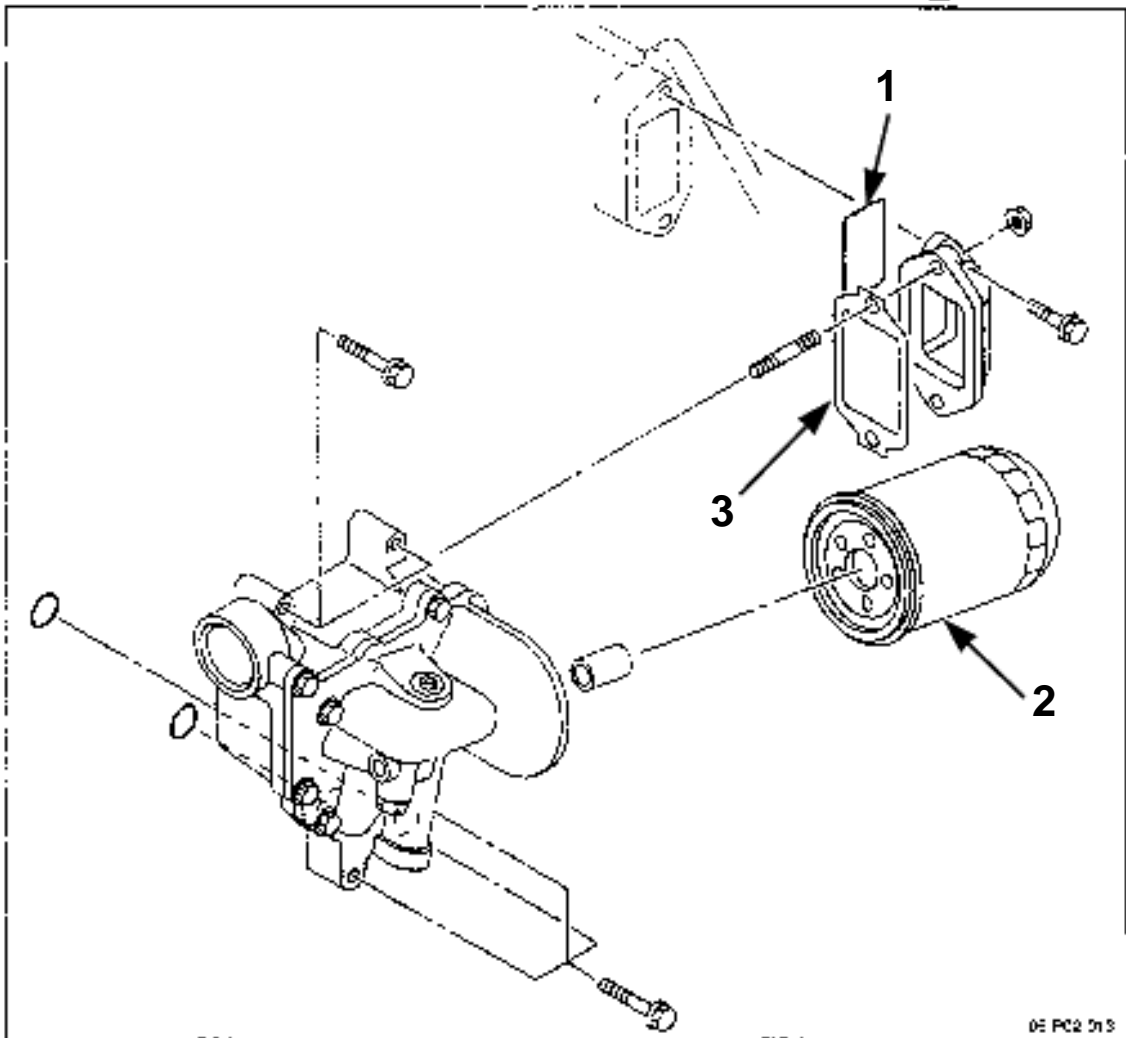
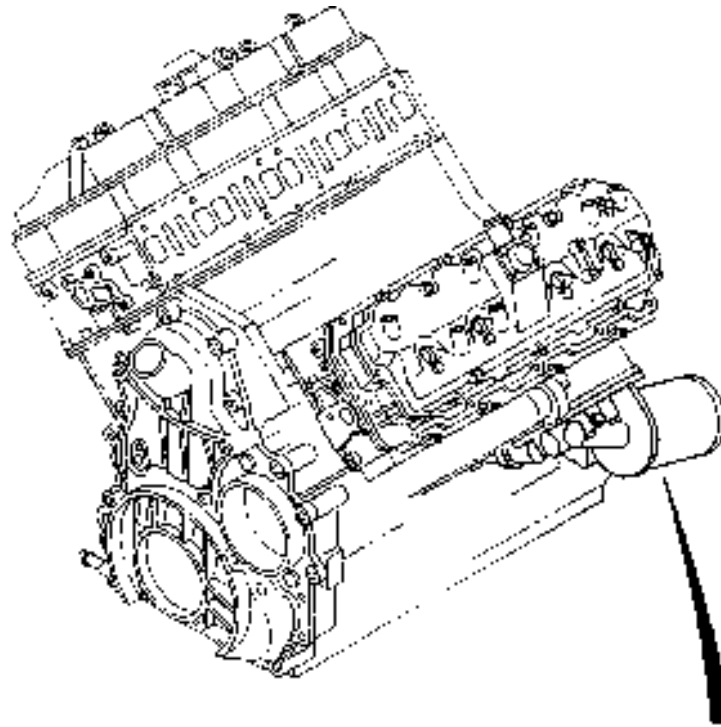




## Power Cord Assembly, Block Heater

**Power Cord Assembly, Block Heater.**

Item	Part No.	Description	Qty
1	<b>6019823</b>	POWER CORD ASSEMBLY, block heater	1
2	<b>6019627</b>	CLIP, 16MM male, swivel	3
3	<b>6014069</b>	CLIP	1
4	<b>6019628</b>	CLIP, 16MM female, swivel	3



### Oil Filter, Adapter, and Oil Line Fittings

# Hummer 2006 Parts Catalog

Full download: <http://manualplace.com/download/hummer-2006-parts-catalog/>

HUMMER H1 2006 Parts Catalog (B-Max)

## Oil Filter, Adapter, and Oil Line Fittings.

Item	Part No.	Description	Qty
1	<b>5745884</b>	GASKET, water out	1
2	<b>5745882</b>	OIL FILTER ELEMENT	1
3	<b>5745883</b>	GASKET, cooler adapter	1