

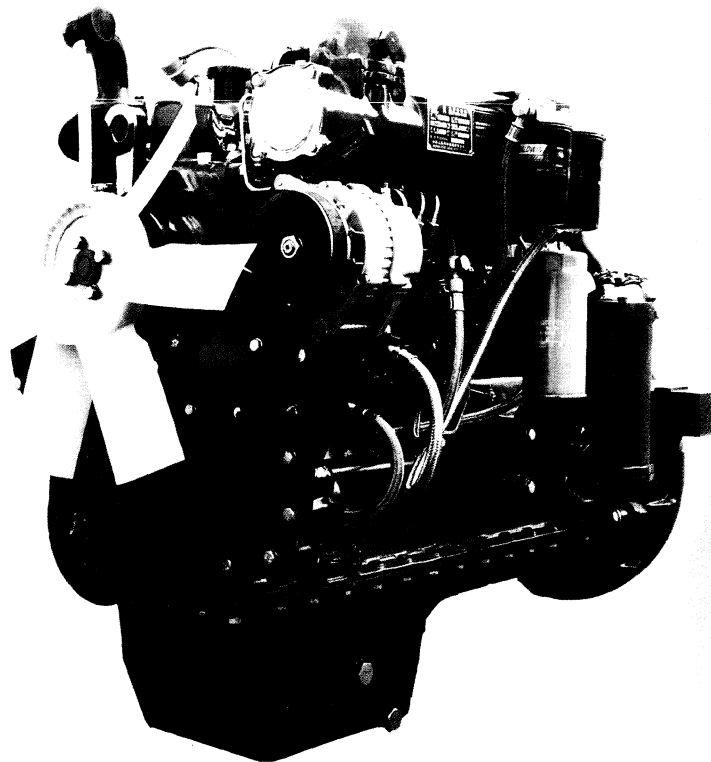
Huafengdongli R Series Sparepartcatalog

Full download: <http://manualplace.com/download/huafengdongli-r-series-sparepartcatalog/>



R 系列柴油机零件图册

R SERIES DIESEL ENGINE PARTS CATALOG



山东潍柴华丰动力有限公司

Shandong Weichai Huafeng Power Co.,Ltd

This is the cut pages sample. Download all 121 page(s) at: ManualPlace.com

R 系列柴油机零件图册

R SERIES DIESEL ENGINE PARTS CATALOG

山东潍柴华丰动力有限公司
Shandong Weichai Huafeng Power Co., Ltd

R 系列柴油机零件图册

前 言

R 系列柴油机为四冲程、水冷、直列、直喷 ω 燃烧室高速柴油机,是英国里卡多(RICARDO)公司为我国设计并与我公司联合研制的国内同类型柴油机的换代产品,具有良好的动力性、经济性、起动性能,可靠性好,寿命达到世界同类产品先进水平。

该系列柴油机有缸径为 100mm 的四缸和缸径为 105mm 的四、六缸自然吸气和增压六种通用机型,在此基础上根据使用要求对部分零件作相应变动后形成变型产品,可广泛用于拖拉机、联合收割机、汽车、工程机械、发电机组、农业、水利机械、渔船等。

为便于用户对柴油机的使用、维修,我们编写了这本包括多种机型的综合零件图册,编制原则如下:

- 1、同一功能形状不同的零件尽量并列在一起,通用型零件用实引线表示装配关系,变型零件用虚引线表示。零件之间的相互方位基本与实际情况一致。
- 2、同一功能形状相近且安装在同一零件上的零件,只画一件,其余零件不画出,其标号带括号。
- 3、外购的部件其型号标在表中相应部件代号的下方,并带括号。

4、不同机型的同样零件只画一个。

5、管路可以只画两端,中间断开,如不能用中心线相连,则要同时在二端标出同一标号。被管路连接的零件如系另一总成,用细实线画出被连结零件的局部图形,特殊情况可以用文字注明连接何零件。

6、在柴油机型号栏中,空白格为基本型,“Z”“T”“G”“D”等为结构特征符号或用途特征符号,如,R4100ZT,代表 R 系列 4 缸,缸径 100mm,涡轮增压拖拉机用柴油机。

因产品在不断改进和开发,在本图册中印出之后的零件变动不可能及时反映,敬请用户注意。

本图册由王文民、郝思先、周久生、庄龙平、杜曦、杨林、唐金池、葛红、孙恩澄、魏志友、朱元明编写,王敏、张元雄审定。

由于编者水平所限,缺点错误在所难免,恳请读者指正。

编者

2006.5

R Series Diesel Engine Parts Catalogue

PREFACE

R series diesel engine is a family of high speed engine of four – stroke , water – cooled , in – line , direct injection and ω type chamber. It is a new generation product that designed by RICARDO and developed by RICARDO and Weifang Diesel Engine Limited Company , with good dynamic characteristics , fuel economy as well as excellent starting performance , the reliability and service life of the R series engines have reached the advanced world level among the products of the kind.

R series includes 4 – cylinder (bore 100) , 4 and 6 – cylinder (bore 105) general purpose diesel engines , with natural aspirating and super charging type. According to the requirements , various versions of R Series can be developed by modifying , some parts so as to satisfy the different applications , such as tractors , trucks , combine – harvesters , engineering machinery , generating sets and water conservancy facilities , fishing boats and so on.

In order for the users to operate and maintain the diesel engines , we compile this comprehensive parts catalogue which includes many kinds of model. The compiling principle is as follow :

1. The parts with same functions but different in shape will be listed together , the continuous line indicates the assembling relations of the common parts while dash line indicates the version parts. The relative position of the parts is basically in concordance with the actual situation.

2. For the parts fitted in same sub – assembly ,with same fountions and similar in shape ,only one piece is shown,while the others are listed in the brackets.

3. The types of components purchased from other factorys indicated under the corresponding parts in brackets in the table.

4. Only one of the same parts of various engine types is described.

5. Pipes may be drawn only by the two ends with the middle interrupt. If the two ends of a pipe can not be connected by centre line ,the same marks are signed on the two ends. If the part connected by a pipe belongs to other assembly ,the partial drawing of the connected part is described with fine continuous line. Give the name of connected part at exceptional case.

6. In diesel model column of this parts catalogue ,blank forms indicate the primary model ,and “Z” , “T” , “G” , “D” etc. signals represent the structure and use features of engines. For instance ,“R4100ZT” , expresses R series ,four – cylinder ,bore 100mm ,turbocharged diesel engine which is used for tractors.

Because of the continuous improvement and development of the products ,the parts changed after this parts catalogue be printed could not be reflected timely ,so the users are requested to pay attention to this.

This parts catalogue is compiled by Wang Wenmin ,Hao Sixian ,Zhou Jiusheng ,Zhuang Rongping ,Du Xi ,Yang Lin ,Tang Jinchi ,Ge Hong ,Sun Encheng ,Wei Zhiyou ,Zhu Yuanming ,examined and approved by Wang Min ,Zhang Yuanxiong.

2006.5

目 录

CONTENTS

1. 气缸盖及罩总成
CYLINDER HEAD & COVER ASSEMBLY
2. 机体总成(机体、油底壳、正时齿轮室、后油封壳体总成)
CYLINDER BLOCK ASSEMBLY(CYLINDER BLOCK、OIL SUMP、TIMING GEAR CASE、REAR OIL SEAL HOUSING ASSEMBLY)
3. 凸轮轴总成
CAMSHAFT ASSEMBLY
4. 曲轴飞轮总成
CRANKSHAFT & FLYWHEEL ASSEMBLY
5. 活塞连杆总成
PISTON AND CONNECTING ROD ASSEMBLY
6. 齿轮系总成
GEAR SYSTEM ASSEMBLY
7. 进气系统(空滤器、进气管总成、铭牌)
AIR INTAKE SYSTEM(AIR CLEANER、AIR INLET MANIFOLD ASSEMBLY、NAME PLATE)
8. 排气系统(排气管、消声器总成)
EXHAUST SYSTEM(EXHAUST MANIFOLD、SILENCER ASSEMBLY)
9. 燃油系统(喷油泵、喷油器、柴油滤清器、高压油管、低压油管、供油提前器总成)
FUEL SYSTEM(FUEL INJECTION PUMP、INJECTOR、FUEL FILTER、HIGH PRESSURE FUEL PIPE、LOW PRESSURE FUEL PIPE、INJECTION ADVANCE DEVICE ASSEMBLY)

10. 油门操纵机构总成

FUEL CONTROLING MECHANISM ASSEMBLY

11. 润滑系统(曲轴箱通风装置、机油泵、机油集滤器、机油滤清器、机油冷却器、喷油冷却总成)

LUBRICATING SYSTEM(CRANKCASE VENTILATION、OIL PUMP、OIL GATHERER、OIL FILTER、OIL COOLER、OIL JET ASSEMBLY)

12. 冷却系统(水泵、风扇与水泵皮带轮、节温器、散热器总成)

COOLING SYSTEM(WATER PUMP、FAN & WATER PUMP AND BELT PULLEY、THERMOSTAT、RADIATOR ASSEMBLY)

13. 电器系统(起动电机、充电发电机、电压调节器、电器线路、仪表及仪表盘、蓄电池、油压传感器及报警器总成)

ELECTRICAL SYSTEM(STARTING MOTOR、ALTERNATOR、REGULATOR、ELECTRICAL WIRE、INSTRUMENT & PANEL、STORAGE BATTERY、OIL PRESSURE SENSOR & ALARM ASSEMBLY)

14. 空气压缩机总成

AIR COMPRESSOR ASSEMBLY

15. 增压器总成

TURBOCHARGER ASSEMBLY

16. 离合器总成

CLUTCH ASSEMBLY

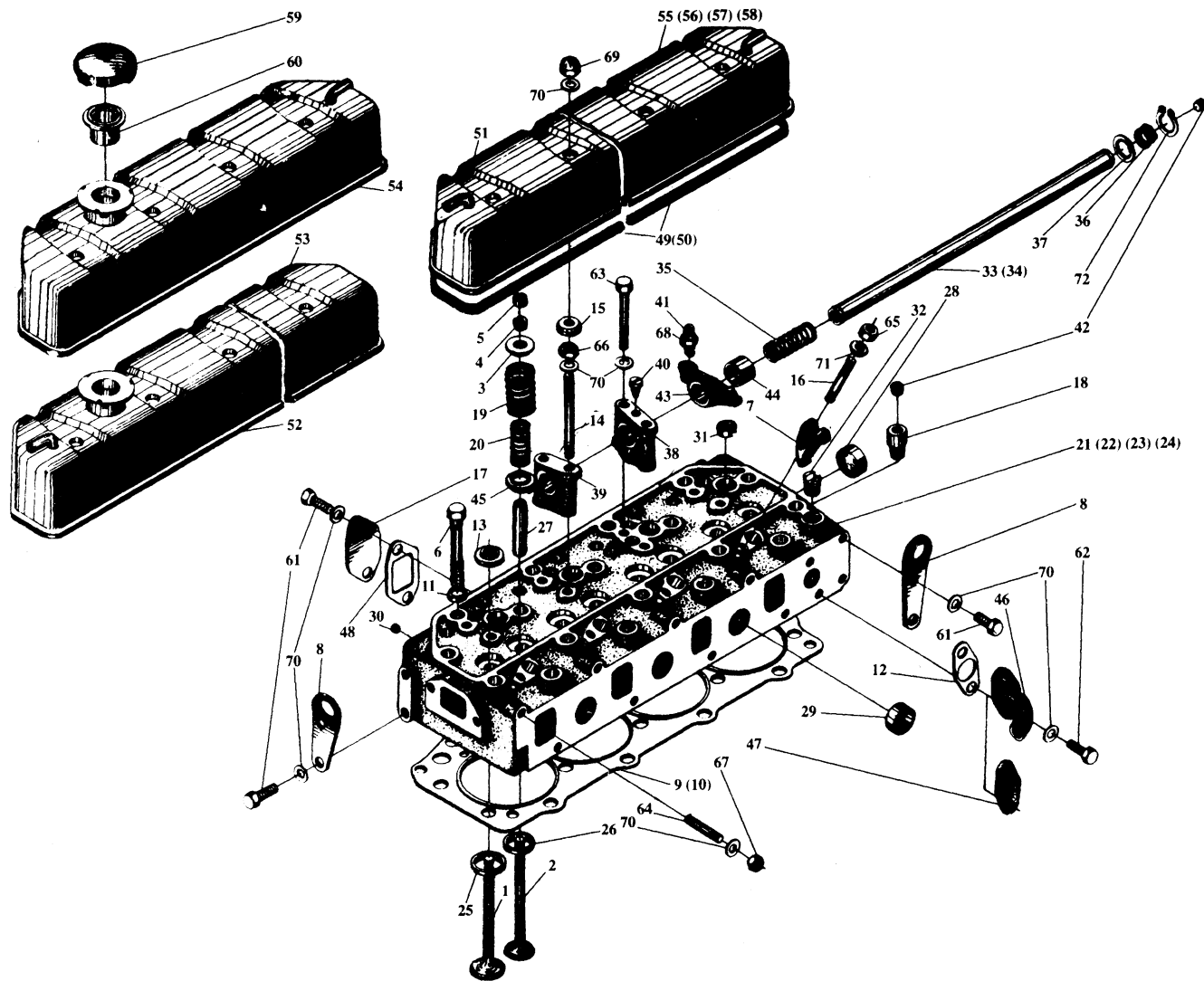
17. 支架底座总成

BRACKET AND SUPPORT SEAT ASSEMBLY

18. 随机工具

TOOLS SUPPLIED WITH ENGINE

气缸盖及罩总成



1. 气缸盖及罩总成
CYLINDER HEAD & COVER ASSEMBLY

柴 油 机 型 号 Model				R4100										R4105					R6105														
				T	T4	ZT	G	G4	G8	G9	D1	ZD1		Z	T	G	G3	P		Z	Q	Q1	Q2	P									
序号 Item	零件代号 Part No.	零 件 名 称 Description		每 台 数 量 Q'ty per set																													
1	R010001Y-1	进气门	Inlet valve	4	4	4	4	4	4	4	4	4	4	4	4	4	4	4	4	4	4	4	4	4	4	4	6	6	6	6	6	6	
2	R010002-1	排气门	Exhaust valve	4	4	4	4	4	4	4	4	4	4	4	4	4	4	4	4	4	4	4	4	4	4	4	4	6	6	6	6	6	6
3	R010004-1	气门弹簧座	Valve spring retainer	8	8	8	8	8	8	8	8	8	8	8	8	8	8	8	8	8	8	8	8	8	8	8	12	12	12	12	12	12	
4	R010005	气门锁夹	Valve lock clamp	16	16	16	16	16	16	16	16	16	16	16	16	16	16	16	16	16	16	16	16	16	16	16	24	24	24	24	24	24	
5	R010006	气门杆护帽	Valve stem cap	8	8	8	8	8	8	8	8	8	8	8	8	8	8	8	8	8	8	8	8	8	8	8	12	12	12	12	12	12	
6	R010007	气缸盖螺栓	Cylinder head bolt	18	18	18	18	18	18	18	18	18	18	18	18	18	18	18	18	18	18	18	18	18	18	18	26	26	26	26	26	26	
7	R010008	喷油器压板	Clamping plate, injector	4	4	4	4	4	4	4	4	4	4	4	4	4	4	4	4	4	4	4	4	4	4	4	6	6	6	6	6	6	
8	R010009	吊 耳	Lifting ring	2	2	2	2	2	2	2	2	2	2	2	2	2	2	2	2	2	2	2	2	2	2	2	2	2	2	2	2	2	
9	4R010011	气缸盖垫片	Cylinder head gasket	1	1	1	1	1	1	1	1	1	1	1	1	1	1	1	1	1	1	1	1	1	1								
(10)	6R010011	气缸盖垫片	Cylinder head gasket																							1	1	1	1	1	1		
11	R010012	气缸盖螺栓垫圈	Washer, cylinder head bolt	18	18	18	18	18	18	18	18	18	18	18	18	18	18	18	18	18	18	18	18	18	18	18	26	26	26	26	26	26	
12	R010013	回水接头垫片	Gasket, return water pipe joint	1	1	1	1	1	1	1	1	1	1	1	1	1	1	1	1	1	1	1	1	1	1	1	1	1	1	1	1	1	
13	R010015-1	进气门弹簧垫块	Bed plate, inlet valve spring	4	4	4	4	4	4	4	4	4	4	4	4	4	4	4	4	4	4	4	4	4	4	4	6	6	6	6	6	6	
14	R010016	摇臂座螺柱	Stud, rocker arm seat	4	4	4	4	4	4	4	4	4	4	4	4	4	4	4	4	4	4	4	4	4	4	4	6	6	6	6	6	6	