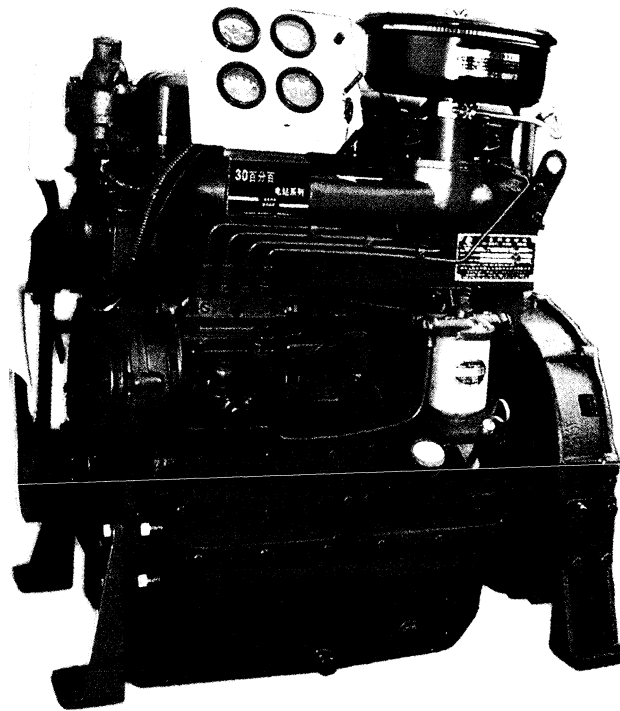


**Huafengdongli 4102series Engine Parts Catalog Drucker**

Full download: <http://manualplace.com/download/huafengdongli-4102series-engine-parts-catalog-drucker/>



# 4102 DIESEL ENGINE PARTS CATALOG



Shandong Weichai Huafeng Power Co.,Ltd

This is the cut pages sample. Download all 64 page(s) at: [ManualPlace.com](http://ManualPlace.com)

# 前 言

华丰动力牌 495 系列柴油机由全国科研院、所及生产厂家统一设计。该产品变型品种多,适应性好,被普遍用作拖拉机、发电机组、工程机械、农副业加工机械、农业排灌机械等的配套动力。4102 系列是在 495 系列基础上强化设计改进的新产品。该机配件供应充足,维修方便。

为方便用户使用、维修、保养柴油机和订购配件,我们将生产批量较大的主要机型编入《4102 系列柴油机零件图册》。图册中只画出较为典型的零件,带有括号的序号的零件在功能、结构上与图册中画出的不带括号的零件相近。需订购配件的用户,可按图册内提供的零件代号、名称、规格向当地农机供应部门或山东潍柴华丰动力有限公司以及有关协作厂联系购买。

华丰动力牌 4102 系列柴油机在不断改进、提高,因此,图册中提供的零件可能与实物稍有出入,请用户在使用时注意。

本图册由于彩虹、位云峰、孙传海、赵瑞安编写,陈玲审定。

因时间仓促、水平所限,图册中若有错误或不当之处,敬请广大读者批评指正。

编 者

2006 年 1 月

# PREFACE

Huafengdongli 495 diesel engine is designed by national scientific research institutes and the manufacture. The various versions of the products possess good adaptability in application to tractors, generating sets, engineering machinery, side-line agricultural product processing and irrigation stations. 4102 series diesel engines are strengthen the improvement design in 495 series diesel engines foundations the new product The fittings of the products are ample for supply and easy to maintain.

For convenience of the users to operate, maintain, repair the machine or order the fittings needed, we compile a large quantity of the main products in the *Series 4102 Diesel Engine Parts Catalog*. This book only gives the parts of typical cases. The function and construction of the parts in ordinal number with ( ) mark are similar in the catalog. The users who want to order the fittings can contact the nearest Agricultural Machinery Supplying Department, ShanDong Wei Chai Hua Feng Power CO., LTD. or its co-operation Manufactures according to the parts number, name and specification on the chart of the book.

Huafengdongli 4102 diesel engine will be modified from time to time. Therefore it is possible that the engine supplied may be slightly different from that given in this catalog.

The catalog is written by Yu Cai-hong, Wei Yun-feng, Sun Chuan-hai Zhao Rui-an, approved by Chen Ling.

Compilers

2006.1

# 目 录

## CONTENTS

一、机体总成(图 1、图 2)		六、冷却系统总成(图 7、图 8)	
CYLINDER BLOCK ASSEMBLY (FIG. 1、FIG. 2) .....	1	COOLING SYSTEM ASSEMBLY (FIG. 7、FIG. 8) .....	21
机体总成(图 1、图 2)零件表		冷却系统总成(图 7、图 8)零件表	
CYLINDER BLOCK ASSEMBLY (FIG. 1、FIG. 2) TABLE .....	3	COOLING SYSTEM ASSEMBLY (FIG. 7、FIG. 8) TABLE .....	23
二、凸轮轴总成(图 3)		七、进气系统总成(图 9)	
CAMSHAFT ASSEMBLY (FIG. 3) .....	9	AIR INTAKE SYSTEM ASSEMBLY (FIG. 9) .....	25
凸轮轴总成(图 3)零件表		进气系统总成(图 9)零件表	
CAMSHAFT ASSEMBLY (FIG. 3) TABLE .....	10	AIR INTAKE SYSTEM ASSEMBLY (FIG. 9) TABLE .....	26
三、气缸盖总成(图 4)		八、排气系统总成(图 10)	
CYLINDER HEAD ASSEMBLY (FIG. 4) .....	11	EXHAUST SYSTEM ASSEMBLY (FIG. 10) .....	28
气缸盖总成(图 4)零件表		排气系统总成(图 10)零件表	
CYLINDER HEAD ASSEMBLY (FIG. 4) TABLE .....	12	EXHAUST SYSTEM ASSEMBLY (FIG. 10) TABLE .....	29
四、活塞连杆总成(图 5)		九、润滑系统总成(图 11、图 12)	
PISTON AND CONNECTING ROD ASSEMBLY (FIG. 5) .....	17	LUBRICATING OIL SYSTEM ASSEMBLY (FIG. 11、FIG. 12) .....	30
活塞连杆总成(图 5)零件表		润滑系统总成(图 11、图 12)零件表	
PISTON AND CONNECTING ROD ASSEMBLY (FIG. 5) TABLE .....	18	LUBRICATING OIL SYSTEM ASSEMBLY (FIG. 11、FIG. 12) TA- BLE .....	32
五、曲轴飞轮总成(图 6)		十、机油泵部件(图 13)	
CRANKSHAFT AND FLYWHEEL ASSEMBLY (FIG. 6) .....	19	OIL PUMP SUB - ASSEMBLY (FIG. 13) .....	34
曲轴飞轮总成(图 6)零件表		机油泵部件(图 13)零件表	
CRANKSHAFT AND FLYWHEEL ASSEMBLY (FIG. 6) TABLE .....	20	OIL PUMP SUB - ASSEMBLY (FIG. 13) TABLE .....	35

十一、燃油系统总成、喷油泵总成、喷油器总成(图 14)	离合器动力输出装置总成(图 18)零件表
FUEL SYSTEM ASSEMBLY、FUEL INJECTION PUMP ASSEMBLY、	CLUTCH AND POWER TAKE - OFF ASSEMBLY
FUEL INJEC - TOR ASSEMBIY ( FIG. 14) ..... 37	( FIG. 18) TABLE ..... 49
燃油系统总成、喷油泵总成、喷油器总成(图 14)零件表	十六、底座总成(图 19)
FUEL SYSTEM ASSEMBLY、FUEL INJECTION PUMP ASSEMBLY、	BASE FRAME ASSEMBLY ( FIG. 19) ..... 52
FUEL INJEC - TOR ASSEMBIY ( FIG. 14) TABLE ..... 38	底座总成(图 19)零件表
十二、空气压缩机总成(图 15)	BASE FRAME ASSEMBLY ( FIG. 19) TABLE ..... 53
AIR COMPRESSOR ASSEMBLY ( FIG. 15) ..... 41	十七、增压器及润滑系统总成(图 20)
空气压缩机总成(图 15)零件表	TURBOCHARGER AND ITS LUBRICATING OIL SYSTEM AS-
AIR COMPRESSOR ASSEMBLY ( FIG. 15) TABLE ..... 42	SEMBLY ( FIG. 20) ..... 55
十三、电器系统总成( I )(图 16)	增压器及润滑系统总成(图 20)零件表
ELECTRICAL SYSTEM ASSEMBLY ( I ) ( FIG. 16) ..... 43	TURBOCHARGER AND ITS LUBRICATING OIL SYSTEM AS-
电器系统总成( I )(图 16)零件表	SEMBLY ( FIG. 20) TABLE ..... 56
EIECTRICAL SYSTEM ASSEMBLY ( I )( FIG. 16) TABLE ... 44	十八、H1A 涡轮增压器部件(图 21)
十四、电器系统总成( II )(图 17)	H1A TURBOCHARGER SUB - ASSEMBLY( FIG. 21) ..... 59
ELECTRICAL SYSTEM ASSEMBLY( II )( FIG. 17) ..... 45	H1A 涡轮增压器部件(图 21)零件表
电器系统总成( II )(图 17)零件表	H1A TURBOCHARGER SUB - ASSEMBLY( FIG. 21) TABLE
ELECTRICAL SYSTEM ASSEMBLY( II )( FIG. 17) ..... 46	..... 60
十五、离合器动力输出装置总成(图 18)	
CLUTCH AND POWER TAKE - OFF ASSEMBLY	
( FIG. 18) ..... 48	

# 一、机体总成(图1、图2)

## CYLINDER BLOCK ASSEMBLY (FIG. 1, FIG. 2)

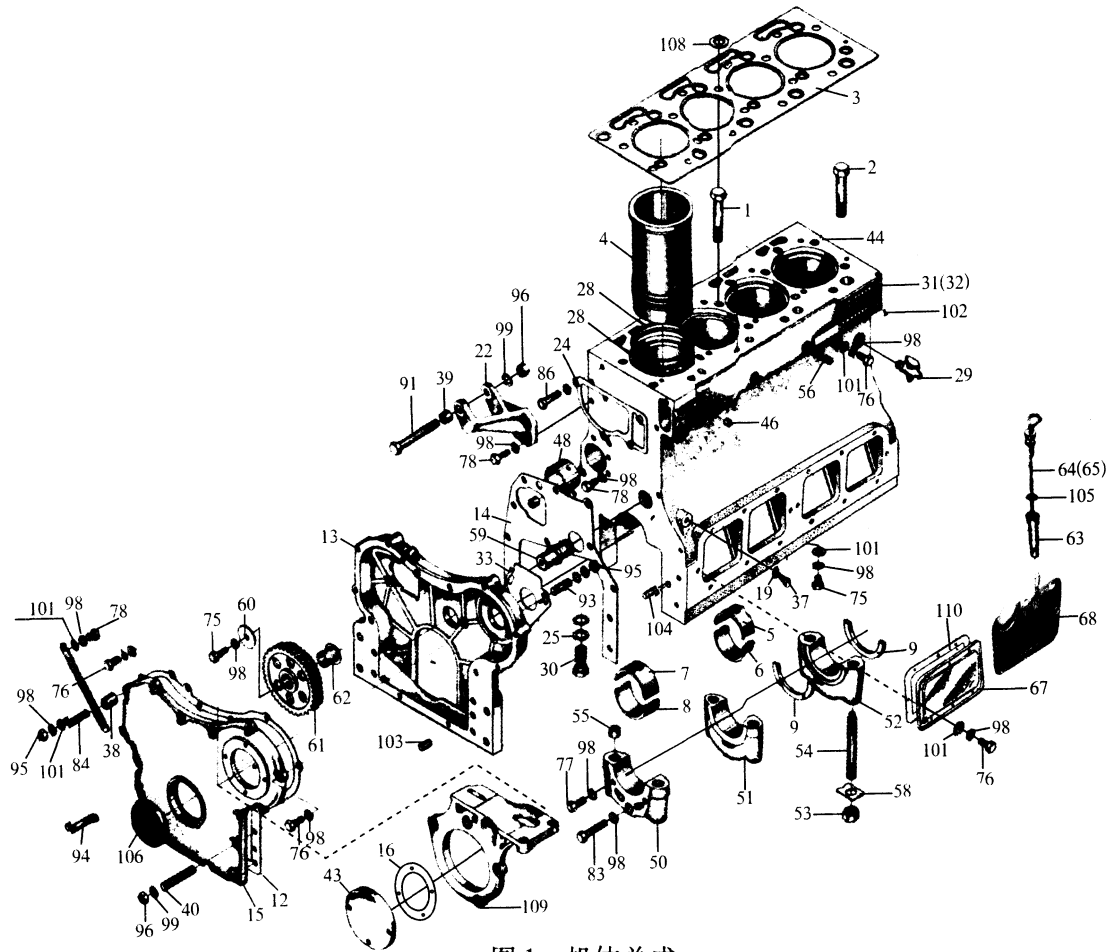


图1 机体总成

FIG. 1 CYLINDER BLOCK ASSEMBLY

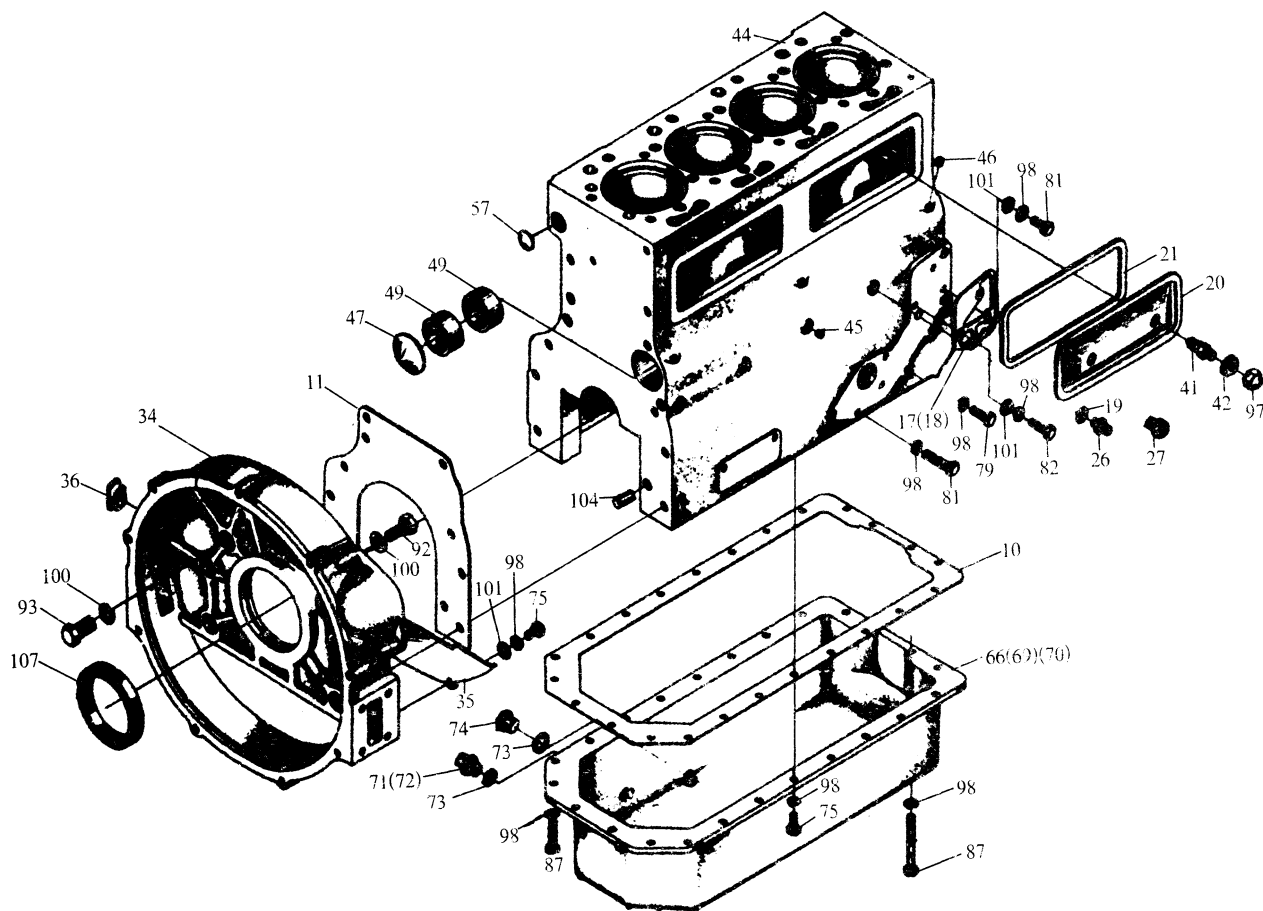


图2 机体总成

FIG. 2 CYLINDER BLOCK ASSEMBLY