



PARTS CATALOG

TRX350FE'04
FOURTRAX RANCHER 4X4 ES

TRX350FM'04
FOURTRAX RANCHER 4X4

TRX350TE'04
FOURTRAX RANCHER ES

TRX350TM'04
FOURTRAX RANCHER

AUGUST, 2003

American Honda Motor Co., Inc.

14HN44E1M (Fiche Version)

TABLE OF CONTENTS

Introduction	Grid / Page	
• HOW TO USE THIS CATALOG	A2	4
• LOCATION OF SERIAL NUMBER	A2	5
• SERIAL NUMBERS	A3	7
• CONSTRUCTION OF VEHICLE IDENTIFICATION NUMBER	A4	8
• COLOR TABLE	A4	9
• BULK HOSE PART NUMBER PATTERN.....	A8	17
• MASTER INDEX	A9	18
Part Groups		
• ENGINE SECTION	1-C1	1-1
• FRAME SECTION.....	1-E1	2-1
Index		
• PART NUMBER INDEX	B1	3-1
• DESCRIPTION INDEX	1-H1	4-1

HOW TO USE THIS CATALOG

This parts catalog is to be used when ordering replacement parts for the model (s) specified on the microfiche strip.

CATALOG PAGE BREAKDOWN (Generic layout-sample data only)

4= MODEL 5= MODEL 6= MODEL 7= MODEL		E-1							
④				Engine Serial Number					
Ref.	Description	MODEL-ID	From	To	AREA	ORG	QTY	Part Number	H/C
1	COVER SET, CYLINDER HEAD	4	15240057	-----	AC	JPN	1	12310-PE2-020	2031797
	COVER SET, CYLINDER HEAD		-----	12234811	A	USA	1	12310-PE2-030	2210888
①	②	③	⑤	⑥	⑦	⑧	⑨	⑩	

KEY TO CATALOG PAGE BREAKDOWN

1. **Ref.** - Reference numbers correspond to the reference numbers on the illustrations. All illustrations are representative only and do not necessarily correspond exactly to the actual part. "NI" signifies the part is not illustrated.

2. **Description*** - Describes the part for the related part number.

Abbreviations:

ASSY. - Assembly	V - Volt
COMP. - Complete	W - Watt
L(100L) - Link(100Links)	A.C. - Alternating Current
R. - Right	D.C. - Direct Current
L. - Left	KPH - Kilometers Per Hour
IN. - Inlet	MPH - Miles Per Hour
EX. - Exhaust	A.M. - Attaching Mark
FR. - Front	T.M. - Transcript Mark
RR. - Rear	A - Ampere
HEX. - Hexagonal	WL - With Labeling
STD. - Standard	WOL - Without Labeling
MM - Millimeter	T (22T) - Tooth
G - Gram	C.D.I. - Capacitive Discharge Ignition

3. **MODEL-ID*** - Model indicator code is unique per catalog (not consistent with other catalogs).

4. Each catalog will be represented with applicable model indicators and models.

5. **Serial Number** - Applies to Engine or Frame serial numbers depending on the section. The serial numbers of the vehicle (frame, engine, carburetor) should be checked prior to ordering parts for a specific unit. In cases where a part has been modified, the serial number of the vehicle bearing the modification is listed in the 'SERIAL NUMBER' column. The modification parts are controlled by each pertinent serial number below.

Engine serial number - Engine group parts (Block numbers beginning with 'E').

Carburetor identification number - Carburetor component parts.

Frame serial number - Frame group parts (Block numbers beginning with 'F').

A serial number chart and serial number locations are provided.

Note - Some models may be controlled by one serial number only.

6. **AREA*** - Applicable area code type is defined in the serial number chart.

7. **ORG*** - Manufacturing origin of the unit.

8. **QTY** - Quantity required per unit as specified.

A. "AR" in place of the quantity indicates AS REQUIRED.

B. "(" Parentheses in the quantity required indicate "optional".

9. **Part Number** - Part number corresponds to the reference number and application. Several part numbers may be listed under one (1) reference number. For your convenience the current supersede chain, as of print date, has been listed. Supersede chains are subject to change without notice.

10. **H/C** - The Honda Code and Part Number share a 1 to 1 relationship.

MAKE-UP OF PART NUMBERS

All parts are classified into two groups consisting of "GENERAL PARTS" and "STANDARD PARTS". All parts are numbered in accordance with the system described below:

General Parts

Example: Driver Seat Assembly Part No.	77400-634-671ZA
Function No.	77
Component No.	400
Model Code No.	-634-
Modification Process Design	671
Color Code**	ZA

A. Additional Information - The section index located at the bottom of each microfiche grid lists section titles. The Engine and Frame sections have separate section indexes.

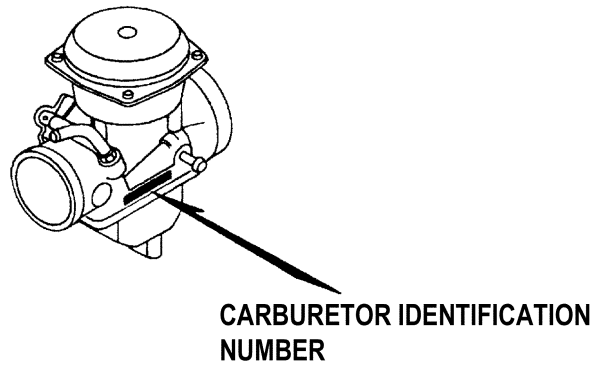
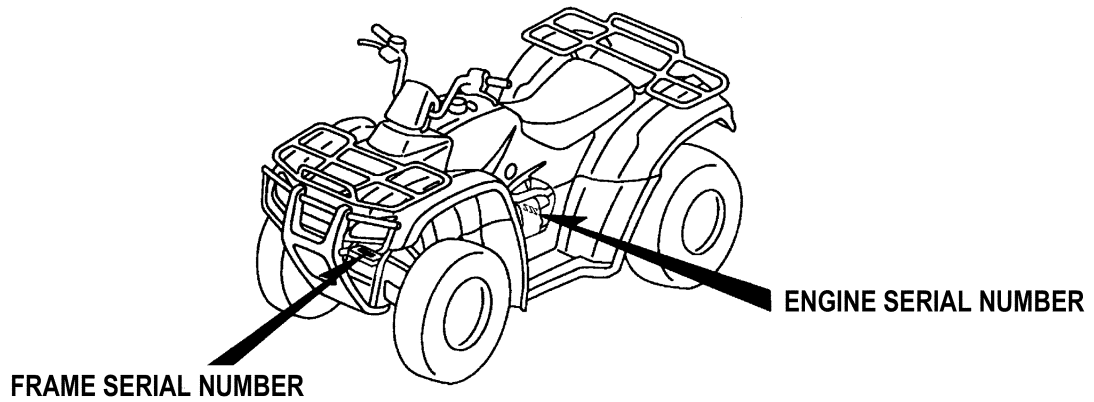
Note:

1. Rear view mirrors are standard equipment on all street legal models.

*When columns become full, additional data is displayed on a second line.

**The color code at the end of a part number indicates a color. Color codes such as ZA, ZB, ZC . . . , except ZZ, do not indicate the actual color. Actual colors are represented in code, between asterisks in the part description.

LOCATION OF SERIAL NUMBER



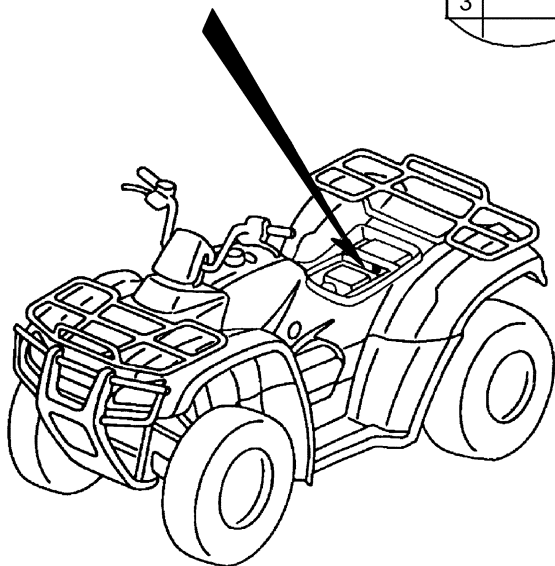
LOCATION OF SERIAL NUMBER

INSTRUCTION OF COLOR LABEL

Color Label

When ordering parts, check the model name, main color and by code observing the color label on the vehicle.
When ordering a colored part, use the Color Chart in the INSTRUCTION FOR USE OF PARTS CATALOG.

	TRX350TE	MODEL				
COLOR	R-232	COLOR				
CODE	R232	CODE				
No.	Name of colored parts	Basic part No.				
1						
2						
3						



SERIAL NUMBERS

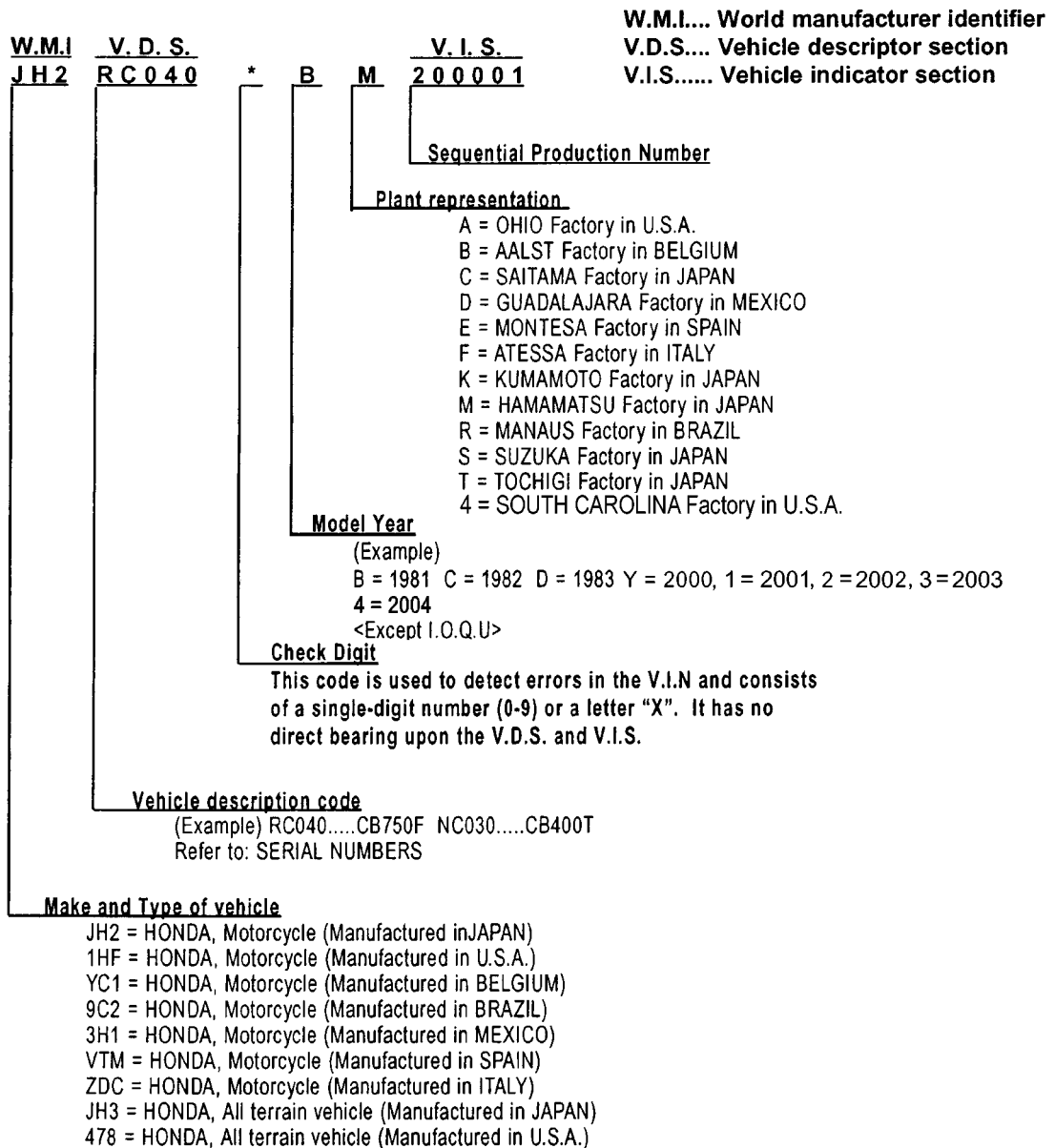
Models and applicable serial numbers

Models and applicable serial numbers given in this parts catalog can be identified as follows.

**2A = AREA CODE "A" MANUFACTURED AT THE SOUTH CAROLINA FACTORY.
IDENTIFY BY THE FRAME SERIAL NUMBER.**

Model	Area Code	Engine Serial No.	Frame Serial No.	Carburetor Serial No.
TRX350FE'04	A	TE25E-8700001~	478TE254*4A400001~	VE94E A
TRX350FE'04	2A	TE25E-8700001~	478TE254*44300001~	VE94E A
TRX350FM'04	A	TE25E-8700001~	478TE250*4A400001~	VE94E A
TRX350FM'04	2A	TE25E-8700001~	478TE250*44300001~	VE94E A
TRX350TE'04	A	TE24E-8700001~	478TE244*4A400001~	VE94E A
TRX350TE'04	2A	TE24E-8700001~	478TE244*44300001~	VE94E A
TRX350TM'04	A	TE24E-8700001~	478TE240*4A400001~	VE94E A
TRX350TM'04	2A	TE24E-8700001~	478TE240*44300001~	VE94E A

CONSTRUCTION OF VEHICLE IDENTIFICATION NUMBER



Any change or modification of parts is directly related to the V.D.S. and V.I.S.
 A V.I.S. number will appear in the "Serial No." column of the Parts Catalog if a part is changed or modified.

COMMENT:

This example is generic and applies to 1981 and newer vehicles. 1980 models and prior are referred to as "FRAME NUMBERS" and the construction is designed by using the model designation or code followed by a sequential number.

COLOR TABLE

When ordering a colored part:

1. Confirm the color code for the required part from the color table according to the part name and color type.
2. Select the corresponding part number from the appropriate PAGE/GRID.
3. Parts marked "X" are unused.
4. "***" = Basic Part Number, no extension (i.e. ZA, ZB).

TRX350FE'04 2004

No.	DESCRIPTION	COLOR CODE	G152	R232	Y151	A R E A
		BASE COLOR	Adventure green G152	Patriot red R232	Starburst yellow Y151R	
		BASIC PART NO.				
1	CARRIER, FR. LUGGAGE	81100-HN7-000	ZA	ZA	ZA	
2	CARRIER, RR. LUGGAGE	81300-HN7-000	ZA	ZA	ZA	
3	CLIP, PANEL FIXING	91549-MW0-790	ZA	ZA	ZA	
4	COVER, FUEL TANK TOP	83700-HN7-000	ZA	ZB	ZC	
5	COVER, HANDLE	53205-HN7-000	ZA	ZA	ZA	
6	COVER, L. CARBURETOR SIDE	80126-HN7-000	ZA	ZA	ZA	
7	COVER, L. TANK SIDE (WOL)	83600-HN5-M40	ZA	ZB	ZC	
8	COVER, R. CARBURETOR SIDE	80125-HN7-000	ZA	ZA	ZA	
9	COVER, R. TANK SIDE	83500-HN7-000	ZA	ZB	ZC	
10	EMBLEM, L. FUEL TANK COVER	87122-HN7-000	ZC	ZA	ZB	
11	EMBLEM, R. FUEL TANK COVER	87121-HN7-000	ZC	ZA	ZB	
12	FENDER, FR.	61100-HN7-000	ZA	ZB	ZC	
13	FENDER, RR.	80100-HN7-000	ZA	ZB	ZC	
14	GRILLE, FR.	66300-HN7-000	ZA	ZA	ZA	
15	GUARD, FR. PIPE	81170-HN7-000	ZA	ZA	ZA	
16	LABEL, COLOR	87565-HN5-M50	ZC	ZA	ZB	
17	LEVER, PETCOCK	16963-HM8-000	ZA	ZA	ZA	
18	LID, RR. FENDER	80311-HN7-000	ZA	ZB	ZC	
19	LID, TOOL BOX	80211-HN7-000	ZA	ZA	ZA	
20	LID, UTILITY BOX	83670-HN5-M40	ZA	ZB	ZC	
21	MARK	87124-HN7-000	ZC	ZA	ZB	
22	MARK, HONDA	87127-HN7-000	ZC	ZA	ZB	
23	MARK, RR.	87123-HN7-000	ZA	ZA	ZA	
24	MARK, SIDE COVER	87126-HN5-M50	ZC	ZA	ZB	
25	MUDGUARD, L. CENTER	80122-HN7-000	ZA	ZA	ZA	
26	MUDGUARD, L. FR. (LOWER)	61868-HN5-M50	ZA	ZA	ZA	
27	MUDGUARD, L. FR. SIDE	61866-HN7-000	ZA	ZA	ZA	
28	MUDGUARD, L. RR.	80251-HN7-000	ZA	ZA	ZA	
29	MUDGUARD, L. RR. SIDE	80221-HN7-000	ZA	ZA	ZA	
30	MUDGUARD, R. CENTER	80121-HN5-M50	ZA	ZA	ZA	
31	MUDGUARD, R. FR. (LOWER)	61863-HN5-M50	ZA	ZA	ZA	
32	MUDGUARD, R. FR. SIDE	61861-HN7-000	ZA	ZA	ZA	
33	MUDGUARD, R. RR.	80250-HN7-000	ZA	ZA	ZA	
34	MUDGUARD, R. RR. SIDE	80220-HN7-000	ZA	ZA	ZA	
35	PIPE, FR. CARRY	81150-HN7-000	ZA	ZA	ZA	
36	PLATE, FR. SKID	81160-HN7-000	ZA	ZA	ZA	
37	SEAT	77100-HN7-000	ZB	ZB	ZB	
38	SPACER, ACCESSORY SOCKET (INNER)	61104-HN5-670	ZA	ZA	ZA	

COLOR TABLE

TRX350FE'04 2004

No.	DESCRIPTION	COLOR CODE	G152	R232	Y151	A R E A
		BASE COLOR	Adventure green G152	Patriot red R232	Starburst yellow Y151R	
		BASIC PART NO.				
39	SPACER, ACCESSORY SOCKET (OUTER)	61103-HN5-670	ZB	ZB	ZB	
40	WHEEL SET, RR.	42650-HN5-M40	ZA	ZA	ZA	
41	WHEEL SUB-ASSY., FR.	44650-HN7-000	ZA	ZA	ZA	