

2000 HONDA RC51 / RVT1000R

PARTS INFO & DRAWINGS

2000 HONDA RVT1000R - AIR CLEANER

CLICK BELOW FOR MORE INFO

No.	Description	Price
1	HOUSING, AIR CLEANER	\$102.99
2	COVER,FR DUCT	\$24.99
3	CAP,FR COVER	\$3.99
4	PLATE,CAP	\$1.99
5	SEAL,FR DUCT	\$4.99
6	COVER,AIR/C	\$33.99
7	SEAL A, A/CLNR HSG	\$11.99
8	SEAL B, A/CLNR HSG	\$4.99
9	ELEMENT,AIR/C	\$35.99
10	FUNNEL,AIR FR.	\$5.99
11	FUNNEL,AIR RR.	\$6.99
12	SEAL A	\$6.99
13	SEAL B	\$2.99
14	RUBBER,R SIDE	\$10.99
15	RUBBER,L SIDE	\$10.99
16	RUBBER,UPPER	\$9.99

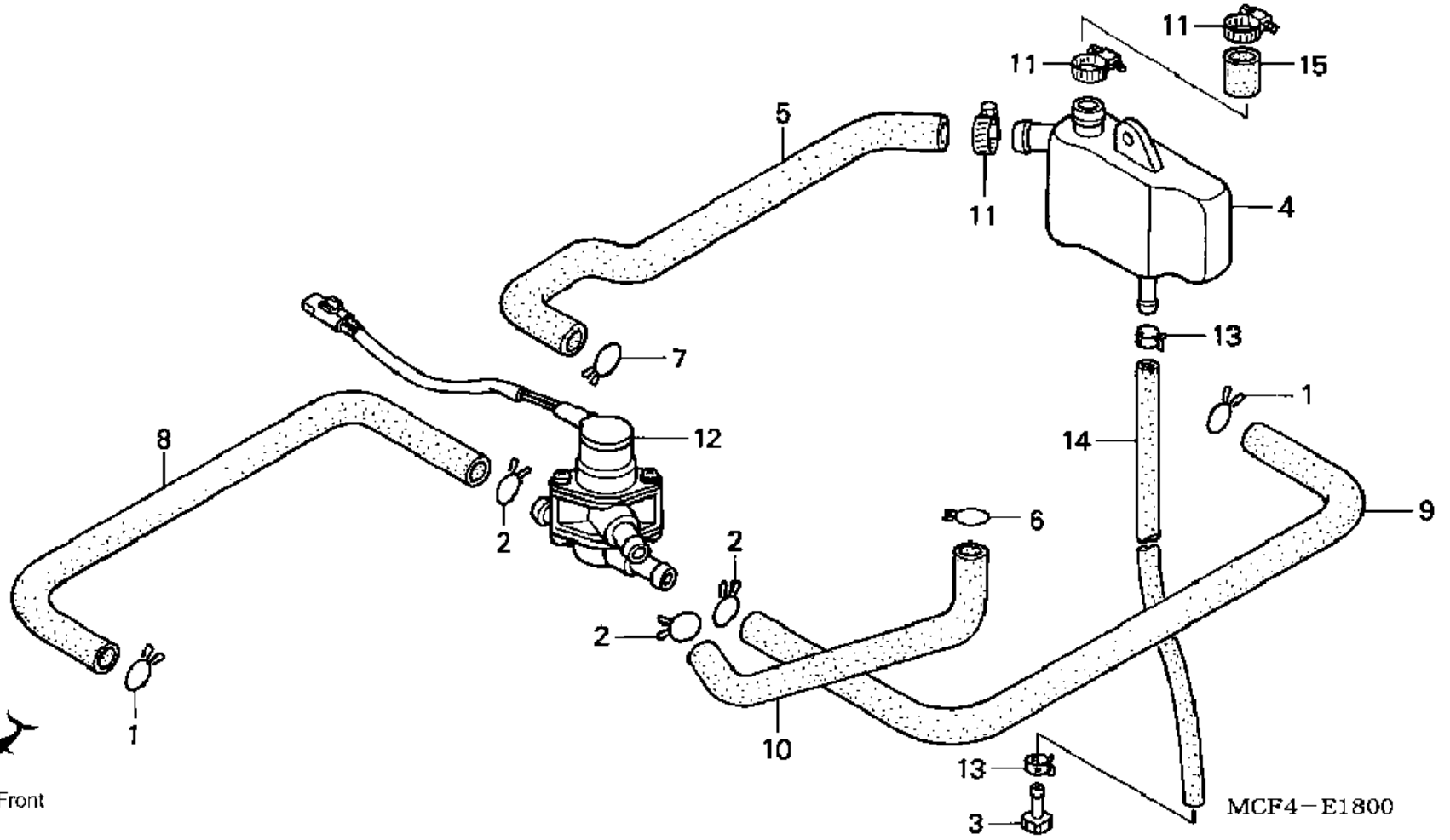
17	DUCT L INNER,AIR/	\$6.99
18	RUBBER, R.	\$22.99
19	RUBBER, L.	\$22.99
20	CHAMBER,A	\$10.99
21	PLUG, BREATHER TUBE	\$2.99
22	SENSOR ASSY., TA	\$45.99
23	CLAMP	\$8.99
24	O-RING (7.5X1.5)	\$1.99
25	SCREW, PAN (5MM)	\$2.99
26	SCREW, TAP (4X12)	\$0.99
27	SCREW, TAP (5X12)	\$0.99
28	SCREW, TAP (5X16)	\$0.99
29	SCREW, TAP (5X16)	\$0.99
30	WASHER, SPRING (5MM)	\$0.99
31	CLIP, WIRE (2X40)	\$1.99
32	BULK HOSE, VINYL	\$4.99
32	BULK HOSE, VINYL	\$29.99

2000 HONDA RVT1000R

AIR INJECTION CONTROL VALVE

CLICK BELOW FOR MORE INFO

No.	Description	Price
1	CLIP B, FUEL HOSE	\$3.99
2	CLIP, BREATHER TUBE	\$2.99
3	PLUG, BREATHER TUBE	\$2.99
4	TANK BREATHER	\$24.99
5	TUBE, BREATHER	\$10.99
6	CLIP, BREATHER TUBE	\$2.99
7	CLIP (21.5)	\$3.99
8	TUBE A, AICV	\$9.99
9	TUBE B, AICV	\$14.99
10	TUBE C, AICV	\$4.99
11	CLAMP (25MM)	\$6.99
12	VLV ASSY, EX-AI	\$64.99
13	CLAMP	\$8.99
14	BULK HOSE, VINYL	\$4.99
15	BULK HOSE (17X1000)	\$20.99



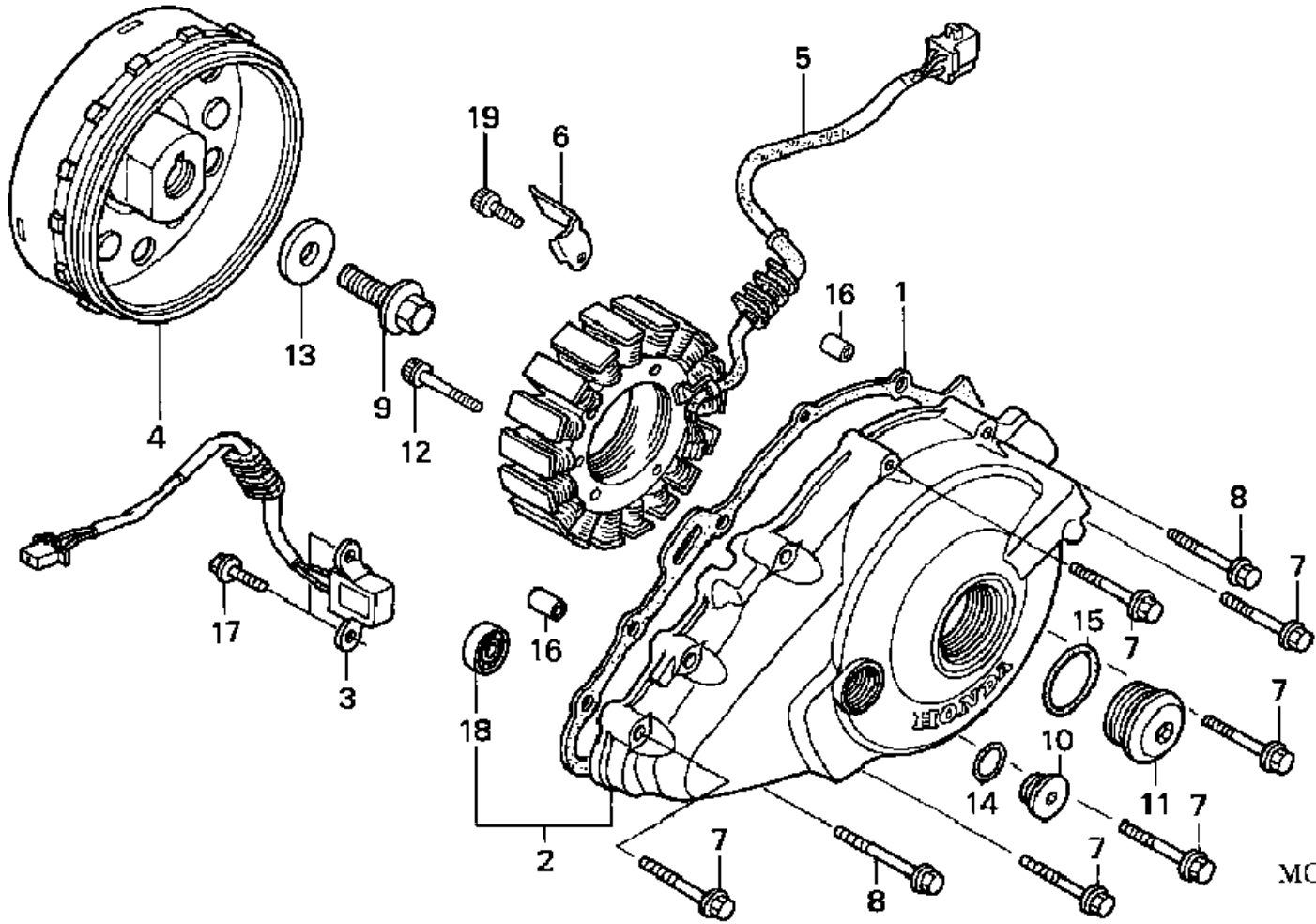
MCF4-E1800

2000 HONDA RVT1000R

ALTERNATOR

CLICK BELOW FOR MORE INFO

No.	Description	Price
1	GASKET	\$11.99
2	COVER, ALTERNATOR	\$143.19
3	PULSE GEN ASSY	\$50.99
4	FLYWHEEL COMP	\$180.19
5	STATOR COMP	\$170.89
6	CLAMP	\$3.99
7	BOLT, FLANGE (6X32)	\$2.99
8	BOLT, FLANGE (6X40)	\$2.99
9	BOLT, FLANGE (12X45)	\$4.99
10	CAP (14MM)	\$7.99
11	CAP (30MM)	\$11.99
12	BOLT, SOCKET (6X38)	\$2.99
13	WASHER (12.5X36X6)	\$2.99
14	O-RING (13.8X2.5)	\$2.99
15	O-RING (30MM)	\$2.99
15	O-RING (29.7X2.4)	\$2.99
16	PIN, DOWEL (8X14)	\$1.99
17	BOLT, FLANGE (6X14)	\$1.99
18	BEARING (6000)	\$5.99
19	BOLT, SOCKET (6X10)	\$1.99



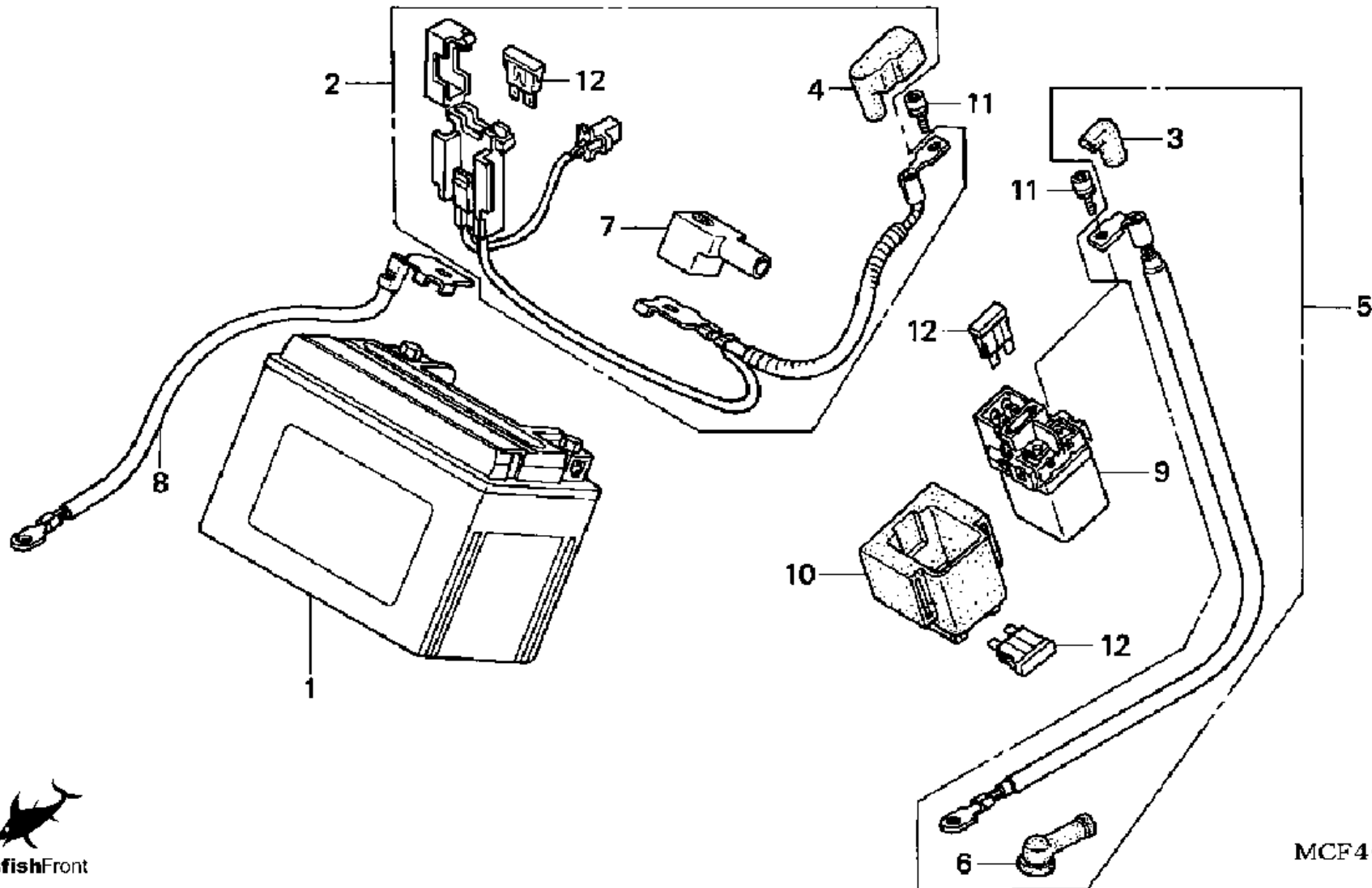
MCF4-E0800

2000 HONDA RVT1000R

BATTERY

CLICK BELOW FOR MORE INFO

No.	Description	Price
1	BATTERY (FTZ12S) (YU)	\$130.99
2	CABLE,START BAT	\$32.99
3	COVER A	\$3.99
4	COVER B	\$3.99
5	CABLE,STARTER MOT	\$21.99
6	COVER	\$5.99
7	COVER,BAT TERMINA	\$4.99
8	CABLE	\$13.99
9	SWITCH ASSY.	\$64.99
10	RUBBER, SHOCK	\$6.99
11	BOLT, SOCKET (5X9)	\$1.99
12	FUSE, BLADE (30A)	\$1.99



2000 HONDA RVT1000R

CAMSHAFT VALVE

CLICK BELOW FOR MORE INFO

No.	Description	Price
1	SEAL, EX. VALVE STEM	\$7.99
2	SEAL, VALVE STEM	\$7.99
3	CAM SHAFT COMP.FR	\$137.99
4	CAM SHAFT COMP.RR	\$137.99
5	CAM SHAFT COMP.FR	\$137.99
6	CAM SHAFT COMP.RR	\$137.99
7	GEAR TRAIN COMP,F	\$292.19
8	GEAR TRAIN COMP,R	\$292.19
9	VALVE, IN.	\$30.99
10	VALVE, EX.	\$42.99
11	LIFTER,VALVE	\$32.99
12	SPRING, VALVE	\$6.99
13	SPRING, VALVE	\$4.99
14	RETAINER, VLV SPR	\$7.99
15	SEAT, VALVE SPRING	\$3.99
16	SEAT, VALVE SPRING	\$5.99
17	COTTER, VALVE	\$3.99
19	WASHER (8MM)	\$1.99
20	PIN, DOWEL (8X31.5)	\$2.99
21	BOLT-WASHER (6X50)	\$2.99
22	BOLT, FLANGE (8X40)	\$1.99