

**HONDA**  
**ELITE 250**  
**CH250 '85 TO '88**

**PARTS MANUAL**

BEST VIEW 1024 BY 768 PIXELS

**CDS ORDER**

## HOW TO USE THIS CATALOG

This parts catalog is to be used when ordering replacement parts for the model (s) specified on the microfiche title strip.

### CATALOG PAGE BREAKDOWN

MODEL(S)	BLOCK NO.	E-1	MODEL APPLICATION								AREA CODE	ENGINE SERIAL NUMBER		PART NUMBER	HONDA CODE
			4	5	6	7	4	5	6	7		FROM	TO		
Ref. No.	DESCRIPTION		4	5	6	7	4	5	6	7					
1	2	3a	3	4	5	6	7	8	9	10	11	12	13	14	15

- 1. Ref. No.**—Reference number corresponding with the reference numbers on the illustrations.  
 \*All illustrations are representative only and do not necessarily correspond exactly to the actual part. "N" signifies the part is not illustrated.
- 2. DESCRIPTION**—Describes the part for the related part number.  
 Abbreviations:  
 ASSY. -Assembly  
 COMP. -Complete  
 R. -Right  
 L. -Left  
 STD. -Standard  
 MM -Millimeter  
 G -Gram  
 T (22T) -Tooth (22 Teeth)  
 A -Ampere  
 V -Volt  
 W -Watt  
 KPH -Kilometer Per Hour  
 MPH -Miles Per Hour  
 L (10GL) -Link (100 Links)  
 A.C. -Alternating Current  
 D.C. -Direct Current  
 IN. -Inlet  
 EX. -Exhaust  
 FR. -Front  
 RR. -Rear  
 HEX. -Hexagonal  
 A.M. -Attaching Mark  
 T.M. -Transcript Mark  
 C.D.I. -Capacitive Discharge Ignition  
 WL. -With Labelling  
 WDL. -Without Labelling  
 Decision for 'R' or 'L'.  
 'R' or 'L' in the description of a part stands for the right hand side or the left hand side which is decided by the forward direction of travel of the vehicle.
- 3. Model Application**—Model application for the various models listed within the catalog. Single model applications will not require this section.
- 3a. Model Year Guide**—A guide to the part application (prior to 1976 the guide reference is the model designation i.e. K0, K1 etc... For 1976 and above the guide reference is the last digit of the model year i.e. 1976=6; 1977=7; 1985=5 etc...)
- 4. AREA CODE**—Area codes for parts that are unique to a particular area. Area codes are defined in the Serial Number application chart when applicable. This column will not be used in catalogs which do not include unique area codes.
- 5. SERIAL NUMBER**—Applies to Engine or Frame serial numbers depending on the section.  
 The serial number of the vehicle (frame, engine, carburetor) should be checked prior to ordering parts for a specific unit.  
 In cases where a part has been modified, the serial number of the vehicle bearing the modification is listed in the 'SERIAL NUMBER' column.  
 The modification parts are controlled by each pertinent serial number below:  
 Engine serial numbers—Engine group parts (Block numbers beginning with 'E').  
 Carburetor identification number—Carburetor component parts.  
 Frame serial numbers—Frame group parts (Block numbers beginning with 'F').  
 Serial number application chart and Serial number locations are provided.  
 Note: Some models may be controlled by one serial number only.

**HOW TO USE THIS CATALOG**

6. **QTY REQ**—Quantity required per unit as specified.  
 A. "n" in place of the quantity indicates AS REQUIRED.  
 B. "( )" by the quantity required indicates "optional".
7. **PART NUMBER**—Part number corresponding to the reference numbers and application. Several part numbers may be listed under one (1) reference number. For your convenience the current supersede chain, as of print date, has been listed for you. Supersede chains are subject to change without notice.

**MAKE-UP OF PART NUMBERS**

All parts are classified into two groups consisting of "GENERAL PARTS" and "STANDARD PARTS". All parts are numbered in accordance with system described below:

**General Parts**

Example: Fork comp. Part No. ....51105-GR1-700ZA  
 Function No. ....51  
 Component No. ....105  
 Parts Classification No. ....GR1-  
 Classification No. ....700  
 \*Color Code .....ZA

**Standard Parts**

Example: 8 x 18 Hex. Bolt Part No. 92009-08018-1A  
 Function No. ....92  
 Type No. ....000  
 Dimensions .....08018-  
 ISO Standard Designation.....1  
 Chemical Surface Treatment.....A

\*The color code at the end of a General Part's part number indicate the color. However, color codes such as ZA, ZB, ZC onward except ZZ, do not indicate the color directly but refer to the notes "\*" in the Description Column of this Parts Catalog Microfiche. If the color description is not indicated in the description, refer to the color table.

8. **H/C**—The Honda Code is listed to the right of each Part Number.

- A. **Additional Information**—The table of contents located at the right of each microfiche grid lists sectioned titles in alphabetical order. Some microfiche will require separate tables of contents for the Engine and Frame sections which will be noted in a sub-heading; the introduction section (Flow "A") of these microfiche will have the contents of the Engine Section on even number grids and the contents of the Frame Section on odd number grids.

**NOTE:**

- The Block No. listed in the upper right hand corner of the Description heading refers to a complete illustration page and it's text, and should not be confused with the GRID NO. when using microfiche.
- Rear view mirrors are standard equipment on all street legal models.

## Serial Numbers

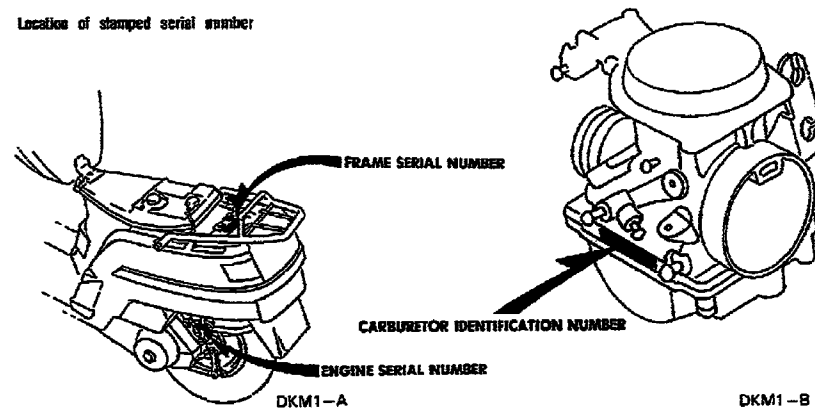
Models and applicable serial numbers  
 Models and applicable serial Nos. given in this parts catalog can be identified as follows.

Model	Area code	Type	Applicable engine serial No.	Applicable frame serial No.	Applicable carburetor identification No.
CH250 '85	A	Except California	MFD1E-5009001 To 5017726	MFD10 * FK000001 To FK013566	VE06A ☒
	AC	California	MFD1E-5006840 To 5017730	MFD11 * FK000003 To FK003257	VE13A ☒
CH250 '86	A	Except California	MFD1E-5100005 To 5109411	MFD10 * GK100001 To GK106405	VE06C ☒
	AC	California	MFD1E-5100001 To 5107040	MFD11 * GK100001 To GK104644	VE13B ☒
CH250 '87	A	Except California	MFD1E-5208001 To 5205044	MFD10 * HK200001 To HK203692	VE12A ☒
	AC	California	MFD1E-5206008 To 5205186	MFD11 * HK200001 To HK201446	VE13C ☒
CH250 '88	A	Except California	MFD1E-5300001 To 5301389	MFD10 * JK300001 To JK301100	VE12A ☒
	AC	California	MFD1E-5300011 To 5301319	MFD11 * JK300001 To JK300286	VE13C ☒

\* Of carburetor identification numbers, only the portions underlined in the example below are used for registration.

VE06A ☒ KC 7

Location of stamped serial number



## Construction of Vehicle Identification Number (V.I.N.)

(Example) W.M.I. V.D.S. V.I.S. W.M.I. ... World manufacturer identifier  
 JH2 RC040 - B M 200001 V.D.S. .... Vehicle descriptor section  
 V.I.S. .... Vehicle indicator section

Sequential Production number

**Plant representation**

- A ... OHIO factory in U.S.A
- B ... AALST factory in BELGIUM
- C ... SAITAMA factory in JAPAN
- D ... GUADALAJARA factory in MEXICO
- E ... MONTEGA factory in SPAIN
- F ... ATESSA factory in ITALY
- K ... KUMAMOTO factory in JAPAN
- M ... HAMAMATSU factory in JAPAN
- R ... MANAUS factory in BRAZIL
- S ... SUZUKA factory in JAPAN
- T ... TOCHIGI factory in JAPAN

**Model year**

(Example)

B .. 1981 C .. 1982 D .. 1983 ..... X .. 1999

<Except I.O.Q.U>

**Check digit**

This code is used to detect errors in the V.I.N. and consists of a single-digit number (0-9) or a letter "X". It has no direct bearing upon the V.D.S. and V.I.S.

**Vehicle description code**

(Example) RC040 ... CB750F NC030 ... CB400T

Refer to: SERIAL NUMBERS

**Make and Type of vehicle**

- JH2 ... HONDA, Motorcycle (Manufactured in JAPAN)
- 1HF ... HONDA, Motorcycle (Manufactured in U.S.A.)
- YC1 ... HONDA, Motorcycle (Manufactured in BELGIUM)
- 9C2 ... HONDA, Motorcycle (Manufactured in BRAZIL)
- 3H1 ... HONDA, Motorcycle (Manufactured in MEXICO)
- VTM ... HONDA, Motorcycle (Manufactured in SPAIN)
- ZDC ... HONDA, Motorcycle (Manufactured in ITALY)
- JH3 ... HONDA, All terrain vehicle (Manufactured in JAPAN)
- 478 ... HONDA, All terrain vehicle (Manufactured in U.S.A.)

Any change or modification of parts is directly related to the V.D.S. and V.I.S.  
 A V.I.S. number will appear in the "Serial No." column of the Parts Catalog if a part is changed or modified.

**COMMENT:**

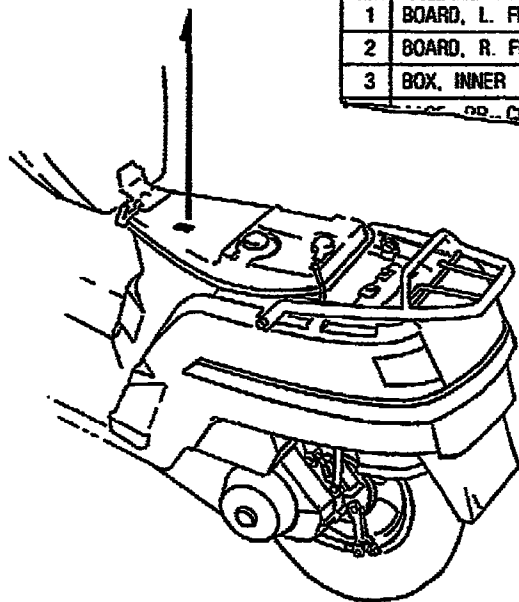
This example is generic and applies to 1981 and newer vehicles. 1980 models and prior are referred to as "FRAME NUMBERS" and the construction is designed by using the model designation or code followed by a sequential number.

## Instructions of Color Label

### Color Label

- When ordering parts, check the model name, main color and code by observing the color label on the vehicle.
- When ordering a colored part, use the Color Chart in the INSTRUCTION FOR USE OF PARTS CATALOG.

COLOR LABEL IDENTIFICATION COULEUR FARBETIKETTE			CH250 J		
MODEL / MODELE / MODELL			CH250 J		
COLOR / COULEUR / FARBE			Myth gray metallic NH-127M	Pearl gold black NH-163P	Serial No.
CODE			NH127	NH163	From
No.	Name of colored parts	Basic part No.			
1	BOARD, L. FLOOR	50614-KM1-880	ZA	ZA	
2	BOARD, R. FLOOR	50612-KM1-000	ZK	ZK	
3	BOX, INNER	64401-KM1-830	ZB	ZB	
	SEAT CUSHION UPPER		ZB	ZB	



DKM1-C

## Color Tables

**Color Application Chart**

- When ordering a part of a particular color or type, refer to the chart below for the model color and color label application.
- (WL) = Stripes and labels other than caution labels are included in parts whose part name end in (WL).
- (WOL) = Stripes and labels are not included in parts whose part name end in (WOL).

ELITE250 CH250 '85 A MF010+FK000001 To FK013566  
 ELITE250 CH250 '85 AC MF011+FK000003 To FK003257

MODEL		CH250-F				
COLOR		Candy orange red R-122C	Screamer black metallic YR-125M	Serial number		Area code
CODE				From	To	
No	Name of colored parts	Basic part No.				
1	BOARD, L. FLOOR	50614-KM1-000	ZF	ZG		
2	BOARD, R. FLOOR	50612-KM1-000	ZF	ZG		
3	BOX, INNER	64401-KM1-670	ZA	ZA		
4	CASE, RR. CUSHION UPPER (FR. CUSHION)	52450-684-721	ZR	ZR		
5	CASE, UNDER	51421-KM1-671	ZA	ZA		
6	COVER, BATTERY	80154-KM1-000	ZD	ZD		
7	COVER, BODY CENTER	80151-KM1-000	ZD	ZD		
8	COVER, CARBURETOR MAINTENANCE	80152-KM1-000	ZD	ZD		
9	COVER, FR. HANDLE	53204-KM1-000	ZD	ZE		
10	COVER, FR. UNDER	64315-KM1-000	ZF	ZG		
11	COVER, FR. UPPER (WOL)	64301-KM1-000	ZD	ZE		
12	COVER, HEADLIGHT	64304-KM1-000	ZD	ZE		
13	COVER, L. BODY (WOL)	83800-KM1-670	ZA	ZB		
14	COVER, L. PILLION STEP	50620-KM1-300	ZD	ZE		
15	COVER, R. BODY (WOL)	83500-KM1-670	ZA	ZB		
16	COVER, R. PILLION STEP	50619-KM1-300	ZD	ZE		
17	COVER, RR. BODY	80101-KM1-000	ZD	ZE		
18	COVER, RR. HANDLE	53205-KM1-000	ZD	ZD		
19	CUSHION ASSY., FR.	51406-KM1-672	ZA	ZA	FK00226	
20	CUSHION ASSY., FR.	51406-KM1-671	ZA	ZA		FK00227
21	FORK COMP., FR.	51105-KM1-670	ZA	ZA		
22	GRILLE, FR. UPPER COVER	64305-KM1-000	ZA	ZA		
23	LABEL, USE CAUTION	87511-147-670	ZB	ZB		
24	LID, FR. COVER	64302-KM1-000	ZD	ZE		
25	LID, HANDLE COVER	53207-KM1-670	ZA	ZB		
26	LID, TRUNK	64411-KM1-000	ZD	ZD		
27	MARK, DRIVE CAUTION	87560-174-770	ZB	ZB		
28	OUTLET, L. AIR	64405-KM1-000	ZD	ZD		
29	OUTLET, R. AIR	64404-KM1-000	ZD	ZD		
30	PANEL, FLOOR	64320-KM1-000	ZD	ZD		
31	PLUG, HOLE (COVER, BODY CENTER)	90655-KM1-000	ZC	ZC	FK001658	AC
32	PLUG, HOLE (COVER, BODY CENTER)	90655-KM1-000	ZC	ZC	FK006502	A
33	PLUG, HOLE (COVER, FR. HANDLE)	90655-KM1-000	ZC	ZC		
34	PROTECTOR COMP., MUFFLER	18316-KM1-000	ZA	ZA		
35	PROTECTOR, FR. (WL)	64322-KM1-670	ZA	ZB		
36	PROTECTOR, L. BODY COVER (WL)	83602-KM1-670	ZA	ZB		
37	PROTECTOR, R. BODY COVER (WL)	83601-KM1-670	ZA	ZB		
38	PROTECTOR, RR. COVER (WL)	80103-KM1-670	ZA	ZB		
39	STEP ASSY., L. PILLION	50611-KM1-000	ZD	ZE		
40	STEP ASSY., R. PILLION	50610-KM1-000	ZD	ZE		
41	STRIFE, BODY COVER PROTECTOR	83806-KM1-670	ZA	ZB		
42	STRIFE, FR. COVER PROTECTOR	64324-KM1-670	ZA	ZB		
43	STRIFE, FR. UPPER COVER	64310-KM1-670	ZA	ZB		
44	STRIFE, L. BODY COVER	83650-KM1-670	ZA	ZB		
45	STRIFE, R. BODY COVER	83550-KM1-670	ZA	ZB		
46	STRIFE, RR. COVER PROTECTOR	80107-KM1-670	ZA	ZB		
47	TRAY, INNER BOX	81146-KM1-000	ZC	ZC		

## Color Tables

ELITE250 CH250 '86 A MF010\*GK100001 To GK106405

ELITE250 CH250 '86 AC MF011\*GK100001 To GK101844

No.	MODEL		CH-250G				
	COLOR		Pearl satin white-A NH-135P-A	Pearl gold black NH-163P	Serial number		Area code
	CODE				From	To	
Name of colored parts	Basic part No.	NH135	NH163				
1	BOARD, L. FLOOR	50614-KM1-000	ZE	ZH			
2	BOARD, R. FLOOR	50612-KM1-000	ZE	ZH			
3	BOX, INNER	64401-KM1-670	ZC	ZC			
4	CASE, RR. CUSHION UPPER (FR. CUSHION)	52460-GB4-721	ZR	ZR			
5	CASE, UNDER	51421-KM1-671	ZA	ZA			
6	COVER, BATTERY	80154-KM1-000	ZE	ZE			
7	COVER, BODY CENTER	80151-KM1-670	ZC	ZC			
8	COVER, CARBURETOR MAINTENANCE	80152-KM1-000	ZE	ZE			
9	COVER, FR. HANDLE	53204-KM1-000	ZB	ZF			
10	COVER, FR. UNDER	64315-KM1-000	ZE	ZH			
11	COVER, FR. UPPER (WOL)	64301-KM1-000	ZB	ZF			
12	COVER, HEADLIGHT	64304-KM1-000	ZB	ZF			
13	COVER, L. BODY (WOL)	83600-KM1-671	ZC	ZD			
14	COVER, L. PILLION STEP	50620-KM1-310	ZB	ZF			
15	COVER, R. BODY (WOL)	83600-KM1-671	ZC	ZD			
16	COVER, R. PILLION STEP	50619-KM1-310	ZB	ZF			
17	COVER, RR. BODY	80101-KM1-000	ZB	ZF			
18	COVER, RR. HANDLE	53205-KM1-000	ZE	ZE			
19	CUSHION ASSY., FR.	51400-KM1-672	ZA	ZA			
20	EMBLEM, BODY COVER	87552-KM1-770	ZA	ZB			
21	EMBLEM, FR. HANDLE COVER	87550-KM1-770	ZA	ZB			
22	EMBLEM, FR. UPPER COVER	87551-KM1-770	ZA	ZB			
23	FORK COMP., FR.	51105-KM1-670	ZA	ZA			
24	GARNISH, RR. BODY COVER	80102-KM1-770	ZA	ZB			
25	GRILLE, FR. UPPER COVER	64305-KM1-000	ZA	ZA			
26	LABEL, USE CAUTION	87511-147-670	ZA	ZB			
27	LID, FR. COVER	64302-KM1-000	ZB	ZF			
28	LID, HANDLE COVER	53207-KM1-670	ZC	ZD			
29	LID, TRUNK	64411-KM1-000	ZE	ZE			
30	MARK, DRIVE CAUTION	87560-174-770	ZA	ZB			



## Color Tables

ELITE250 CH250 '86 A MF010\*GK100001 To GK106405

ELITE250 CH250 '86 AC MF011\*GK100001 To GK101844

No.	MODEL		CH-250G				
	COLOR		Pearl satin white-A NH-135P-A	Pearl gold black NH-163P	Serial number		Area code
	CODE				From	To	
	Name of colored parts	Basic part No.	NH135	NH163			
31	OUTLET, L. AIR	64405-KM1-000	ZE	ZE			
32	OUTLET, R. AIR	64404-KM1-000	ZE	ZE			
33	PANEL, FLOOR	64320-KM1-000	ZE	ZE			
34	PLUG, HOLE (COVER, BODY CENTER)	90656-KM1-000	ZD	ZD			
35	PLUG, HOLE (COVER, RR. HANDLE)	90656-KM1-000	ZD	ZD			
36	PROTECTOR COMP., MUFFLER	18318-KM1-000	ZB	ZB			
37	PROTECTOR, FR. COVER (WL)	64323-KM1-770	ZA	ZB			
38	PROTECTOR, L. BODY COVER (WL)	83602-KM1-770	ZA	ZB			
39	PROTECTOR, R. BODY COVER (WL)	83601-KM1-770	ZA	ZB			
40	PROTECTOR, RR. COVER (WL)	80103-KM1-770	ZA	ZB			
41	STEP ASSY., L. PILLION	50611-KM1-010	ZB	ZF			
42	STEP ASSY., R. PILLION	50610-KM1-010	ZB	ZF			
43	STRIPE, BODY COVER PROTECTOR	83606-KM1-770	ZA	ZB			
44	STRIPE, FR. COVER PROTECTOR	64324-KM1-770	ZA	ZB			
45	STRIPE, FR. UPPER COVER	64310-KM1-770	ZA	ZB			
46	STRIPE, L. BODY COVER	83650-KM1-770	ZA	ZB			
47	STRIPE, R. BODY COVER	83550-KM1-770	ZA	ZB			
48	STRIPE, RR. COVER PROTECTOR	80107-KM1-770	ZA	ZB			
49	TRAY, INNER BOX	81146-KM1-000	ZD	ZD			

Catalog Title:

CH250 '85-'88 ELITE250

### Color Tables

ELITE250 CH250 '87 A MF010\*HK200001 To HK203692  
 ELITE250 CH250 '87 AC MF011\*HK200001 To HK201446

No.	MODEL		Candy ruby red R-4C	Pearl gold black NH-163P	CH250H		Area code
	COLOR				Serial number		
	CODE				From	To	
Name of colored parts	Basic part No.	RA	NH163				
1	BOARD, L. FLOOR	50614-KM1-000	ZJ	ZJ		HK200980	AC
2	BOARD, L. FLOOR	50614-KM1-000	ZJ	ZJ		HK202534	A
3	BOARD, L. FLOOR	50614-KM1-000	ZK	ZK	HK200981		AC
4	BOARD, L. FLOOR	50614-KM1-000	ZK	ZK	HK202535		A
5	BOARD, R. FLOOR	50612-KM1-000	ZJ	ZJ		HK200980	AC
6	BOARD, R. FLOOR	50612-KM1-000	ZJ	ZJ		HK202534	A
7	BOARD, R. FLOOR	50612-KM1-000	ZK	ZK	HK200981		AC
8	BOARD, R. FLOOR	50612-KM1-000	ZK	ZK	HK202535		A
9	BOX, INNER	64401-KM1-830	ZA	ZB			
10	CASE, RR. CUSHION UPPER (FR. CUSHION)	52460-GB4-721	ZR	ZR			
11	CASE, UNDER	51421-KM1-671	ZA	ZA			
12	COVER, BATTERY	80154-KM1-000	ZF	ZE			
13	COVER, BODY CENTER	80151-KM1-670	ZD	ZC			
14	COVER, CARBURETOR MAINTENANCE	80152-KM1-060	ZF	ZE			
15	COVER, FR. HANDLE	53204-KM1-000	ZG	ZF			
16	COVER, FR. UNDER	64315-KM1-830	ZA	ZA		HK200980	AC
17	COVER, FR. UNDER	64315-KM1-830	ZA	ZA		HK202534	A
18	COVER, FR. UNDER	64315-KM1-830	ZB	ZB	HK200981		AC
19	COVER, FR. UNDER	64315-KM1-830	ZB	ZB	HK202535		A
20	COVER, FR. UPPER (WOL)	64301-KM1-000	ZG	ZF			
21	COVER, HEADLIGHT	64304-KM1-000	ZG	ZF			
22	COVER, L. BODY (WOL)	83600-KM1-671	ZE	ZD			
23	COVER, L. PILLION STEP	50620-KM1-310	ZG	ZF			
24	COVER, R. BODY (WOL)	83600-KM1-671	ZE	ZD			
25	COVER, R. PILLION STEP	50619-KM1-310	ZG	ZF			
26	COVER, RR. BODY	80101-KM1-800	ZG	ZF			
27	COVER, RR. HANDLE	53205-KM1-000	ZF	ZE			
28	CUSHION ASSY., FR.	51400-KM1-672	ZA	ZA		HK200840	AC
29	CUSHION ASSY., FR.	51400-KM1-672	ZA	ZA		HK202172	A
30	CUSHION ASSY., FR.	51400-KM1-673	ZA	ZA	HK200841		AC
31	CUSHION ASSY., FR.	51400-KM1-673	ZA	ZA	HK202173		A
32	EMBLEM, BODY COVER	87552-KM1-770	ZA	ZB			
33	EMBLEM, COVER	87553-KM1-830	ZA	ZB			
34	EMBLEM, FR. HANDLE COVER	87550-KM1-770	ZA	ZB			
35	FORK COMP., FR.	51105-KM1-670	ZA	ZA			