

Honda 70 Dax Parts Catalog Wiring

Full download: <http://manualplace.com/download/honda-70-dax-parts-catalog-wiring/>
Table of contents

- 1- Models, area codes, applicables serial number
- 2- Cylinder head cover, inlet pipe, spark plug
- 3- Cylinder head
- 4- Camshaft
- 5- Cam chain tensioner
- 6- Right crankcase alternator
- 7- Clutch
- 8- Left crankcase cover
- 9- Crankshaft piston
- 10- Gear shift drum
- 11- Transmission
- 12- Kick starter
- 13- Crankcase oil pump
- 14- Carburetor
- 15- Steering handle
- 16- Front fork front fender
- 17- Head pipe knob
- 18- Front cushion
- 19- Front wheel
- 20- Seat air cleaner
- 21- Fuel tank
- 22- Exhaust muffler (down swept)
- 23- Exhaust muffler (up swept)
- 24- Rear wheel
- 25- Rear cushion
- 26- Fork chain case
- 27- Brake pedal main stand
- 28- Rear fender
- 29- Head light speedometer
- 30- Taillight
- 31- Winker
- 32- Wire harness battery
- 33- Frame body emblem
- 34- Change pedal kick arm
- 35- Tool set

5. The part number described under the part description superseded the part number ahead.

6. Models, area codes and applicable serial numbers

Models, area codes and applicable serial Nos. given in this parts list can be identified as follows.

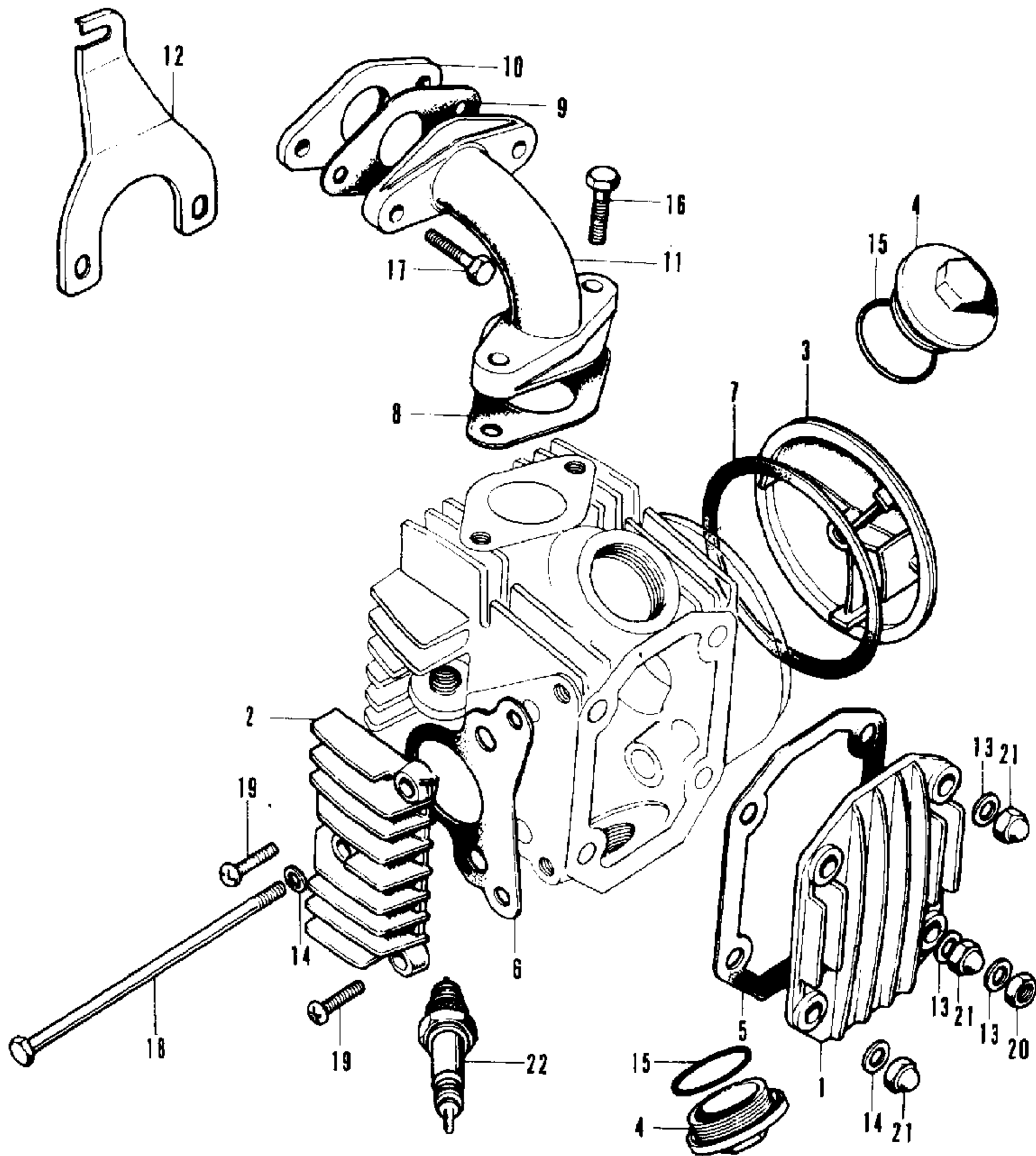
Parts with area codes are exclusive for models destined for countries designated.

If no area codes are listed, parts are for common use.

If there is a production change to a part, the frame serial number to which this part become effective will be indicated in the "Serial No." column. However, in case the part is used from the initial serial number, its applicable serial number is not shown. The applicable serial number for models are as follows.

Model	Area code	Type	Applicable frame serial No.
S T 50	B	Belgium	S T50-507263 ~549638
	DE	Denmark	S T50 539852 ~542851
	E	England	S T50-111528 ~142013
	ED	European direct sales	S T50-141894 ~546507
	G	Germany	S T50-117883 ~149244
	G2	Germany type II	S T50G-100001 ~118618
	N	Norway	S T50-148001 ~149454
S T 50K3	B	Belgium	S T50-6122733~
	DE	Denmark	S T50- *
	G	Germany	S T50-6120723~
S T 70	D1	General export type I	S T70-108801 ~147204
	D2	General export type II	S T70-505971 ~570698
	E	England	S T70-137314 ~152908
	F	France	S T70 512301 ~570948
	G	Germany	S T70-124287 ~141623
	G2	Germany type II	S T70-140864 ~153068
	U	Australia	S T70-124787 ~144323
S T 70K3	D	General export	S T70-6106893 ~
	E	England	S T70-6106173 ~
	F	France	S T70-6106183 ~
	G	Germany	S T70-6106193 ~
	SA	South Africa	S T70 6116397 ~

E-1 Cylinder head cover • Inlet pipe • Spark plug



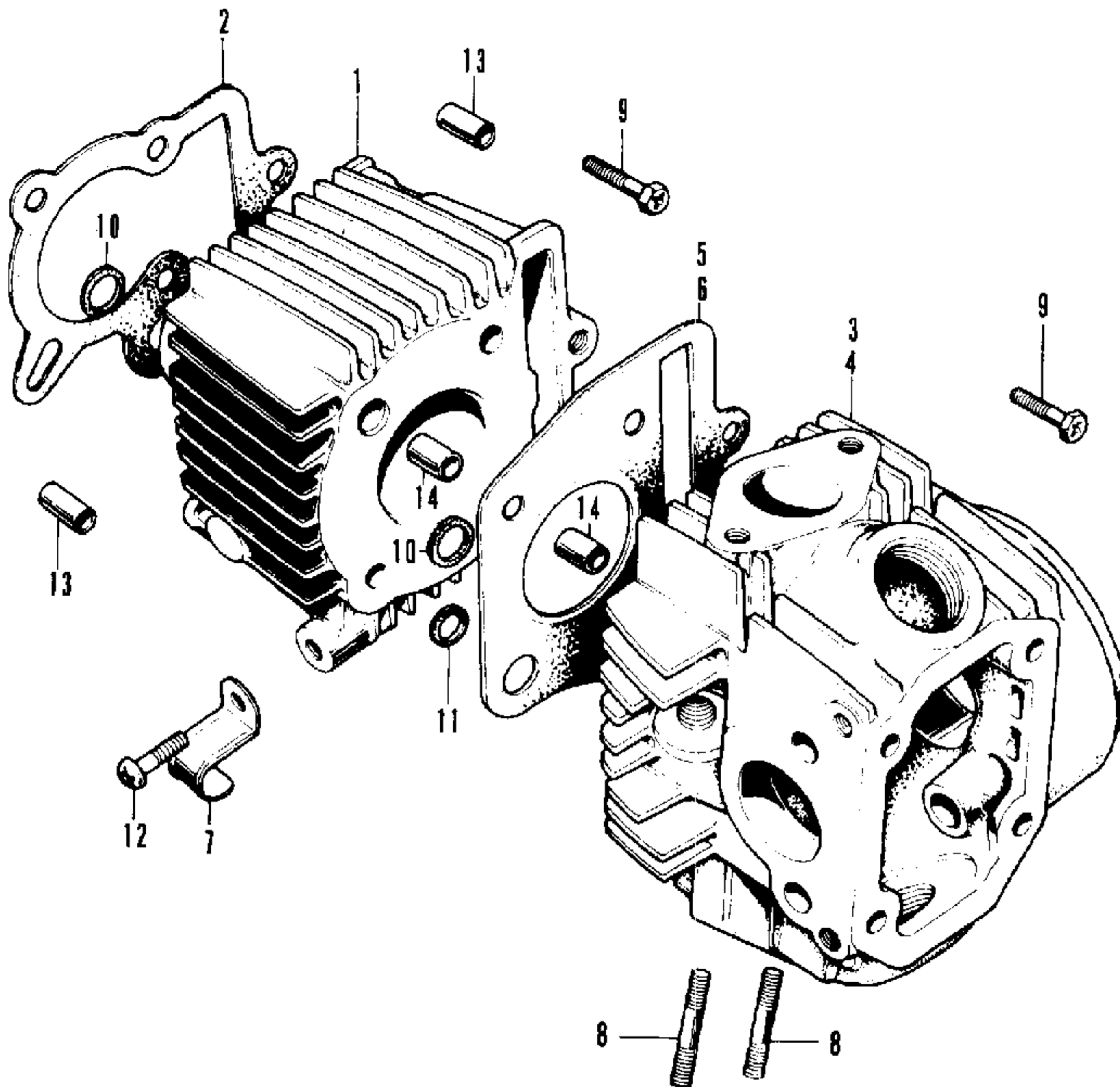
B098-2

E-1 Cylinder head cover • Inlet pipe • Spark plug

Ref. No.	Part No.	Description	Reqd. No				Serial No.	Area code
			ST 50	ST K3	ST 70	ST K3		
1	12301-035-000	COVER, CYLINDER HEAD	1	1	1	1		
2	12331-035-000	COVER, R. CYLINDER HEAD SIDE	1	1	1	1		
3	12341-035-000	COVER, L. CYLINDER HEAD SIDE	1	1	1	1		
4	12361-035-000	CAP, TAPPET ADJUSTING HOLE	2	2	2	2		
5	12391-035-000	GASKET, CYLINDER HEAD COVER	1	1	1	1		
6	12394-035-000	GASKET, R. CYLINDER HEAD SIDE COVER	1	1	1	1		
7	12395-035-000	GASKET, L. CYLINDER HEAD SIDE COVER	1	1	1	1		
8	16201-041-000	GASKET, INSULATOR	1	1			B,DE,E,ED,32,3	
	17119-035-000	GASKET, IN. PIPE			1	1		
	17119-065-740	GASKET, IN. PIPE	1				N	
9	16201-098-000	GASKET, INSULATOR	1	1	1	1		
10	16211-098-000	INSULATOR, CARBURETOR	1	1	1	1		
11	17111-045-710	PIPE, IN.	1	1			B,DE,E,ED,32,3	
	17111-098-000	PIPE, IN.			1	1		
	17111-120-690	PIPE, IN.	1				N	
12	17928-045-000	STAY, THROTTLE CABLE GUIDE			1		01	
13	90442-035-000	WASHER, SEALING, 6MM	3	3	3	3		
14	90443-035-000	WASHER A, SEALING, 6MM	2	2	2	2		
15	91302-001-020	O-RING, 30.8MM	2	2	2	2		
16	92000-06020	BOLT, HEX., 6X20	2	2	2	2		
17	92000-06025	BOLT, HEX., 6X25	2	2	2	2		
18	92000-06112	BOLT, HEX., 6X112	1	1	1	1		
19	93500-06018	SCREW, PAN, 6X18	2	2	2	2		
20	94001-06000	NUT, HEX., 6MM	1	1	1	1		
21	94021-06000	NUT, CAP, 6MM	3	3	3	3		
22	98056-56711	PLUG, SPARK (C-6H NGK)	1	1				
	98056-56721	PLUG, SPARK (U20FS ND)	1	1				
	98056-57711	PLUG, SPARK (C-7HS NGK)			1	1		
	98056-57722	PLUG, SPARK (U22FS ND)			1	1		

ENGINE GROUP

E-2 Cylinder • Cylinder head

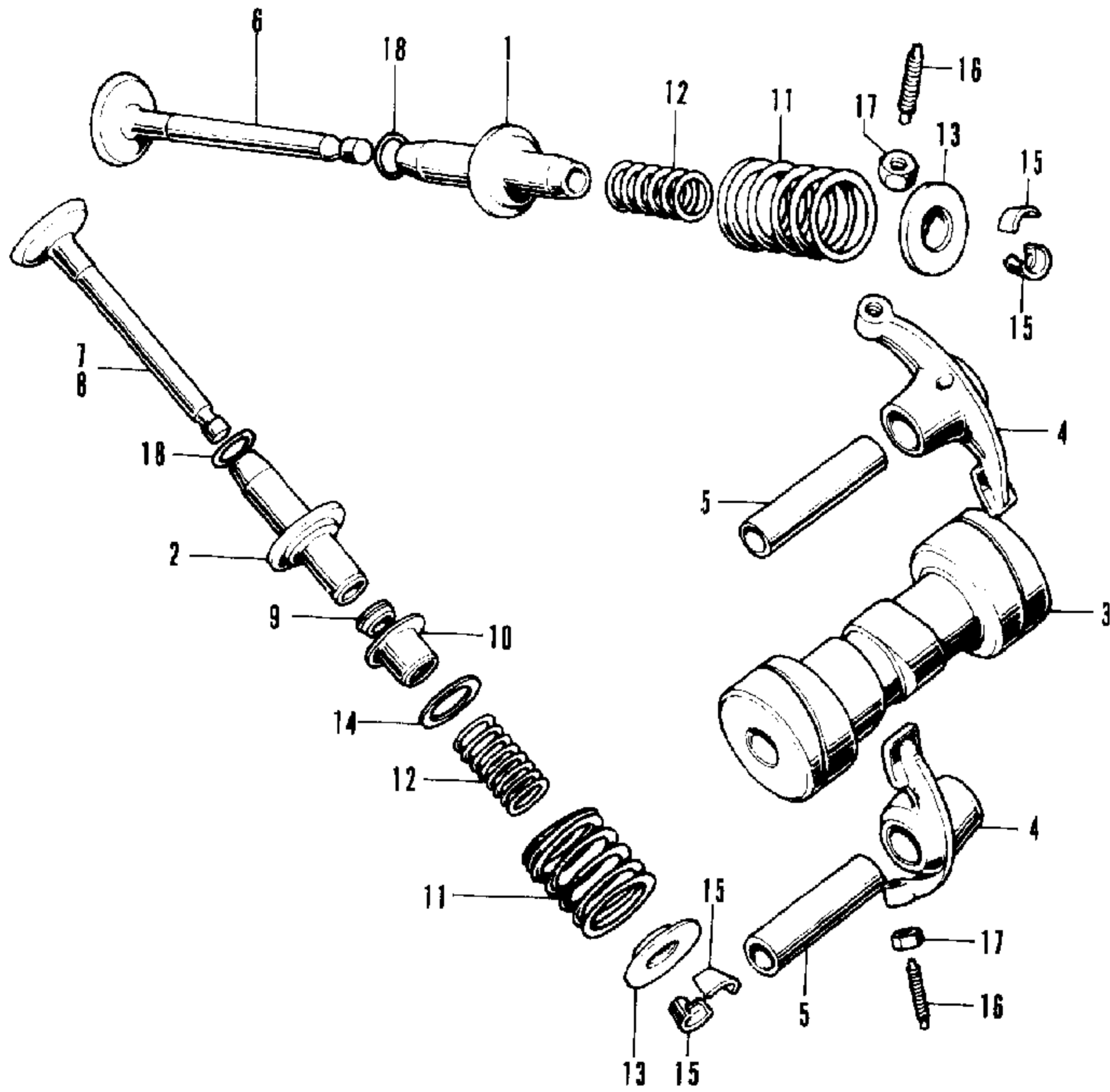


B098 3

E-2 Cylinder - Cylinder head

Ref. No.	Part No.	Description	Reqd. No.				Serial No.	Area code
			ST 50	ST 70	K3	K3		
1	12101-041-030	CYLINDER COMP.	1				6150442	
	12101-087-000	CYLINDER COMP.		1			6113512	
	12101-041-040	CYLINDER COMP.	1			6150443		
	12101-087-010	CYLINDER COMP.			1	6113513		
2	12191-035-020	GASKET, CYLINDER 12191-118-670	1	1				
	12191-118-670	GASKET, CYLINDER	1	1	1	1		
3	12200-041-020	HEAD COMP., CYLINDER 12200-041-030	1				101300 32 149294 ED 539851 B E, 3	
	12200-065-780	HEAD COMP., CYLINDER 12200-065-781	1				149294 N	
	12200-120-700	HEAD COMP., CYLINDER	1	1				DE
	12200-041-030	HEAD COMP., CYLINDER	1			101301 32 149295 ED 539852 B B, 3		
	12200-065-781	HEAD COMP., CYLINDER	1			149295		N
4	12200-087-000	HEAD COMP., CYLINDER 12200-087-305			1		142523 D1, E, 32, U 552322 D2, F 3	
	12200-087-010	HEAD COMP., CYLINDER			1	142524 D1, E, 32, U 552323 D2, F	6107692 D, E, F, 3	
	12200-087-710	HEAD COMP., CYLINDER			1	6107693		D, E, F, G SA
5	12251-036-010	GASKET, CYLINDER HEAD	1				148210 ED, 3 538745 B E	
	12251-065-740	GASKET, CYLINDER HEAD	1			148211 ED, 3 538746 B DE, 32, N B, 3		
6	12251-087-000	GASKET, CYLINDER HEAD			1		140433 D1, E, 3, U 550097 D2, F	
	12251-111-730	GASKET, CYLINDER HEAD			1	140434 D1, E, 3, U 550098 D2, F 32		
7	32906-061-000	CLIP, HIGH TENSION CORD	1	1	1	1		
8	90033-041-000	BOLT, STUD, 6X32		2	2	2		
	92700-06032	BOLT, STUD, 6X32	2					
9	90082-035-000	BOLT, HS, 6MM	2	2	2	2		
10	91303-035-000	PACKING, RUBBER, 16MM	2	2	2	2		
11	91306-035-000	GASKET, RUBBER, 7.5MM	1	1	1	1		
12	93500-06020	SCREW, PAN, 6X20	1	1	1	1		
13	94301-08120	PIN A, DOWEL, 8X12	2	2	2	2		
14	94301-08140	PIN A, DOWEL, 8X14	2	2	2	2		

E-3 Camshaft • Valve

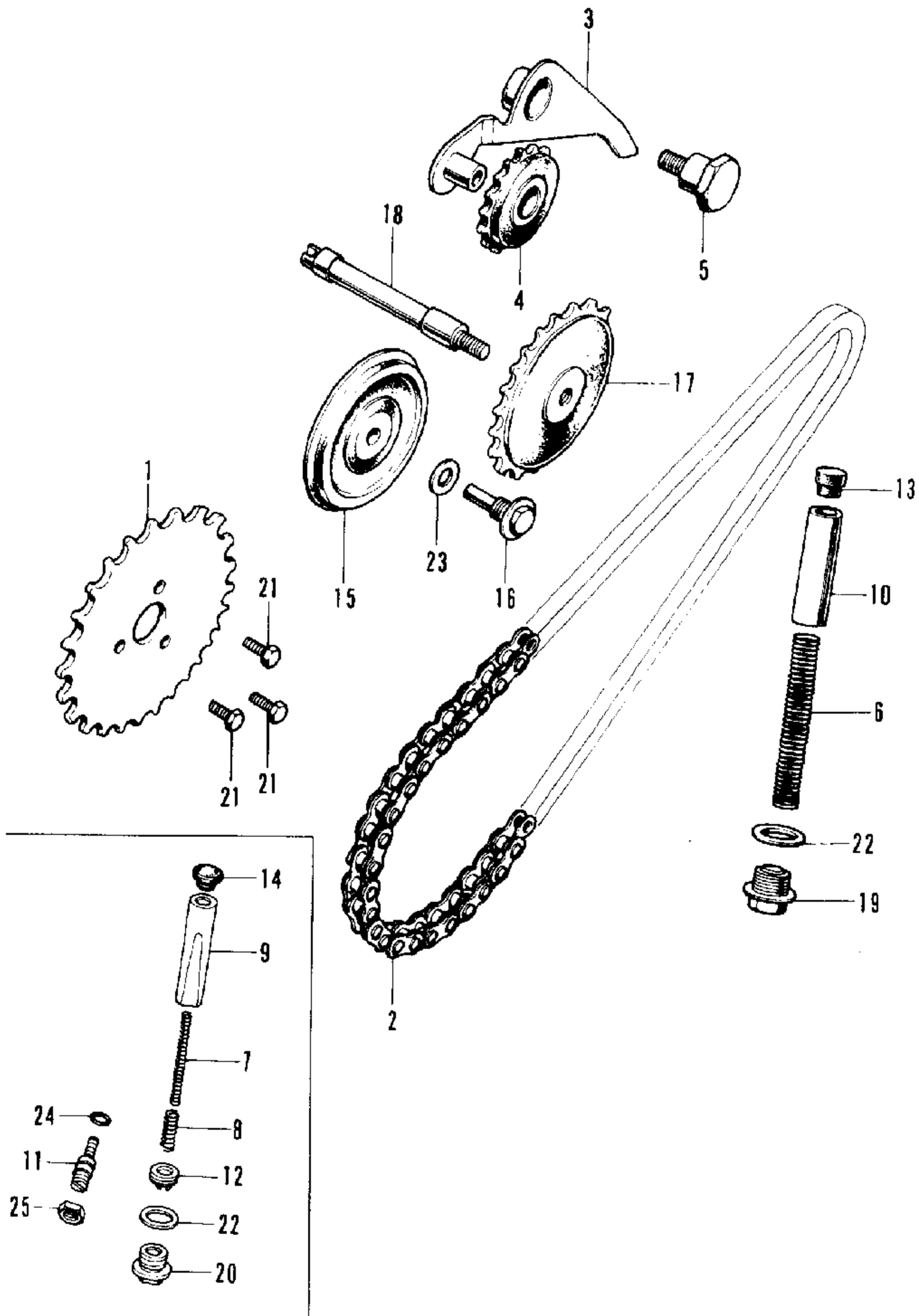


B098 -4

E-3 Camshaft • Valve

Ref. No.	Part No.	Description	Reqd. No.				Serial No.	Area code
			ST 50	ST K3	ST 70	ST K3		
1	12021-035-811	GUIDE, IN. VALVE	1	1	1	1		
2	12023-051-310	GUIDE, EX. VALVE 12023-051-320	1 1 1 1				101300 32 149294 ED,N 539851 B E,;	
	12023-051-320	GUIDE, EX. VALVE	1 1 1 1	1 1			142523 01,E,32,U 552322 02,F	
	12023-051-320	GUIDE, EX. VALVE	1 1 1 1	1 1	1		101301 32 149295 ED,N 539852 B DE 0,0,E,F,;SA 01,E,32,U 02,F	
3	14101-041-G20	CAMSHAFT	1	1	1	1		
4	14431-035-000	ARM, VALVE ROCKER	2	2	2	2		
5	14451-035-000	SHAFT, VALVE ROCKER ARM	2	2	2	2		
6	14711-036-000	VALVE, IN.	1	1				
	14711-087-000	VALVE, IN.			1		6107692 D,E,F,;	
	14711-087-710	VALVE, IN.			1	6107693	D,E,F,; SA	
7	14721-036-000	VALVE, EX.	1 1 1 1				101300 32 149294 ED,N 539851 B E,;	
	14721-036-010	VALVE, EX.	1 1 1 1	1			101301 32 149295 ED,N 539852 B DE 0,;	
8	14721-087-000	VALVE, EX. 14721-087-C10			1 1		142523 01,E,32,U 552322 02,F ;	
	14721-087-010	VALVE, EX.			1	142524 552323	01,E,32,U 02,F 6107692 D,E,F,;	
	14721-087-710	VALVE, EX.			1	6107693	D,E,F,; SA	
9	14730-028-013	SEAL, VALVE STEM	1	1	1	1		
10	14731-028-000	CAP, VALVE STEM SEAL	1	1	1	1		
11	14751-035-600	SPRING, VALVE OUTER	2	2	2	2		
12	14761-035-000	SPRING, VALVE INNER	2	2	2	2		
13	14771-035-600	RETAINER, VALVE SPRING	2	2	2	2		
14	14776-028-000	SEAT, VALVE SPRING INNER	1	1	1	1		
15	14781-001-C10	COTTER, VALVE	4	4	4	4		
16	90012-200-000	SCREW, TAPPET ADJUSTING	2	2	2	2		
17	90206-001-000	NUT, TAPPET ADJUSTING	2	2	2	2		
18	91306-028-000	O-RING, 9.5X1.6	2	2	2	2		

E-4 Cam chain tensioner



B098 -5A

E-4 Cam chain tensioner

Ref. No.	Part No.	Description	Reqd. No.				Serial No.	Area code
			ST 50	ST K3	ST 70	ST K3		
1	14321-035-010	SPROCKET, CAM (28T)	1	1	1	1		
2	14401-035-005	CHAIN, CAM (B2L TAKASAGO)	1	1	1	1		
3	14500-035-010	ARM COMP., CAM CHAIN TENSIONER	1	1	1	1		
4	14502-035-010	ROLLER, CAM CHAIN TENSIONER 14502-086-000	1		1		B, D1, D2, DE, E, ED, F, J, N, U	
	14502-086-000	ROLLER, CAM CHAIN TENSIONER	1	1	1	1		
5	14531-035-000	PIVOT, CAM CHAIN TENSIONER	1	1	1	1		
6	14541-035-010	SPRING, CAM CHAIN TENSIONER	1 1 1 1				149369 ED 539351 B E J 143383 D1, E, U 552702 D2, F	
7	14541-086-010	SPRING A, CAM CHAIN TENSIONER	1 1 1	1	1	1	149370 ED 539352 B DE, J2, N B, D, E, F, J, SA D1, E, U D2, F	
8	14542-086-000	SPRING B, CAM CHAIN TENSIONER	1 1 1	1	1	1	149370 ED 539352 B DE, J2, N B, D, E, F, J, SA D1, E, U D2, F	
9	14550-086-010	ROD COMP., CAM CHAIN TENSIONER PUSH	1 1 1	1	1	1	149370 ED 539352 B DE, J2, N B, D, E, F, J, SA D1, E, U D2, F	
10	14551-035-020	ROD, CAM CHAIN TENSIONER PUSH	1 1 1 1				149369 ED 539351 B E J 143383 D1, E, U 552702 D2, F	
11	14561-086-010	BOLT, CAM CHAIN TENSIONER ADJUSTING	1 1 1	1	1	1	149370 ED 539352 B DE, J2, N B, D, E, F, J, SA D1, E, U D2, F	
12	14562-086-000	BOLT B, CAM CHAIN TENSIONER ADJUSTING	1 1 1	1	1	1	149370 ED 539352 B DE, J2, N B, D, E, F, J, SA D1, E, U D2, F	
13	14566-035-000	RUBBER, CAM CHAIN TENSIONER PUSH ROD HEAD	1 1 1 1				149369 ED 539351 B E J 143383 D1, E, U 552702 D2, F	
14	14566-086-030	HEAD, CAM CHAIN TENSIONER PUSH ROD	1 1 1	1	1	1	149370 ED 539352 B DE, J2, N B, D, E, F, J, SA D1, E, U D2, F	