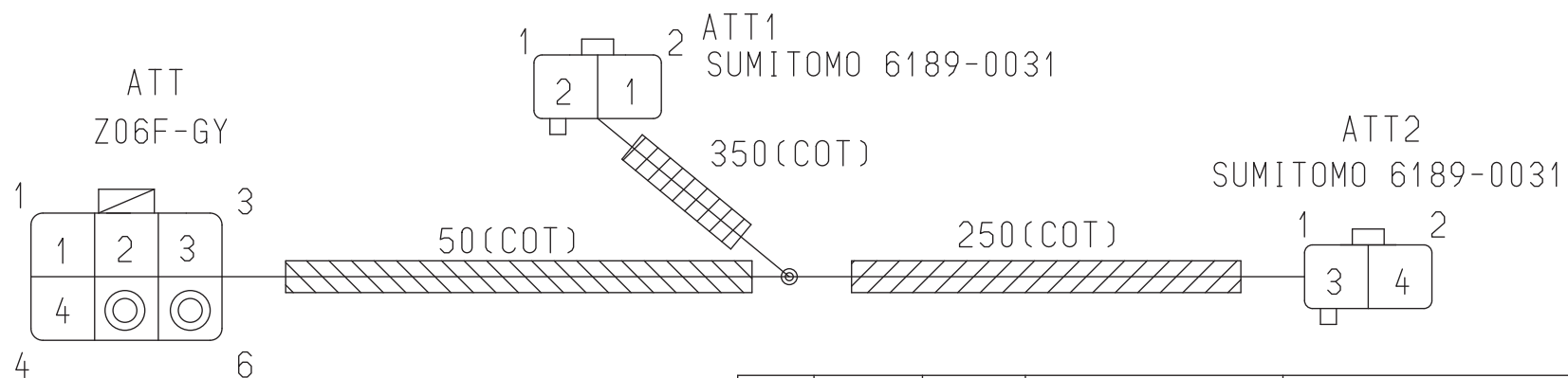


Hitachi Zx140w 3 Circuit

Full download: <http://manualplace.com/download/hitachi-zx140w-3-circuit/>

Attach to Vol. No.: TTCEB-E-00

ZAXIS140W-3 FRONT ATTACHMENT HARNESS (OPTIONAL)



| NO. | SIZE | COL. | FROM | TO | |
|-----|------|------|-------|--------|--|
| 1 | 0.5 | G | ATT-1 | ATT1-2 | |
| 2 | 0.5 | L | ATT-2 | ATT1-1 | |
| 3 | 0.5 | P | ATT-3 | ATT2-1 | |
| 4 | 0.5 | W | ATT-4 | ATT2-2 | |