



# Table of Contents

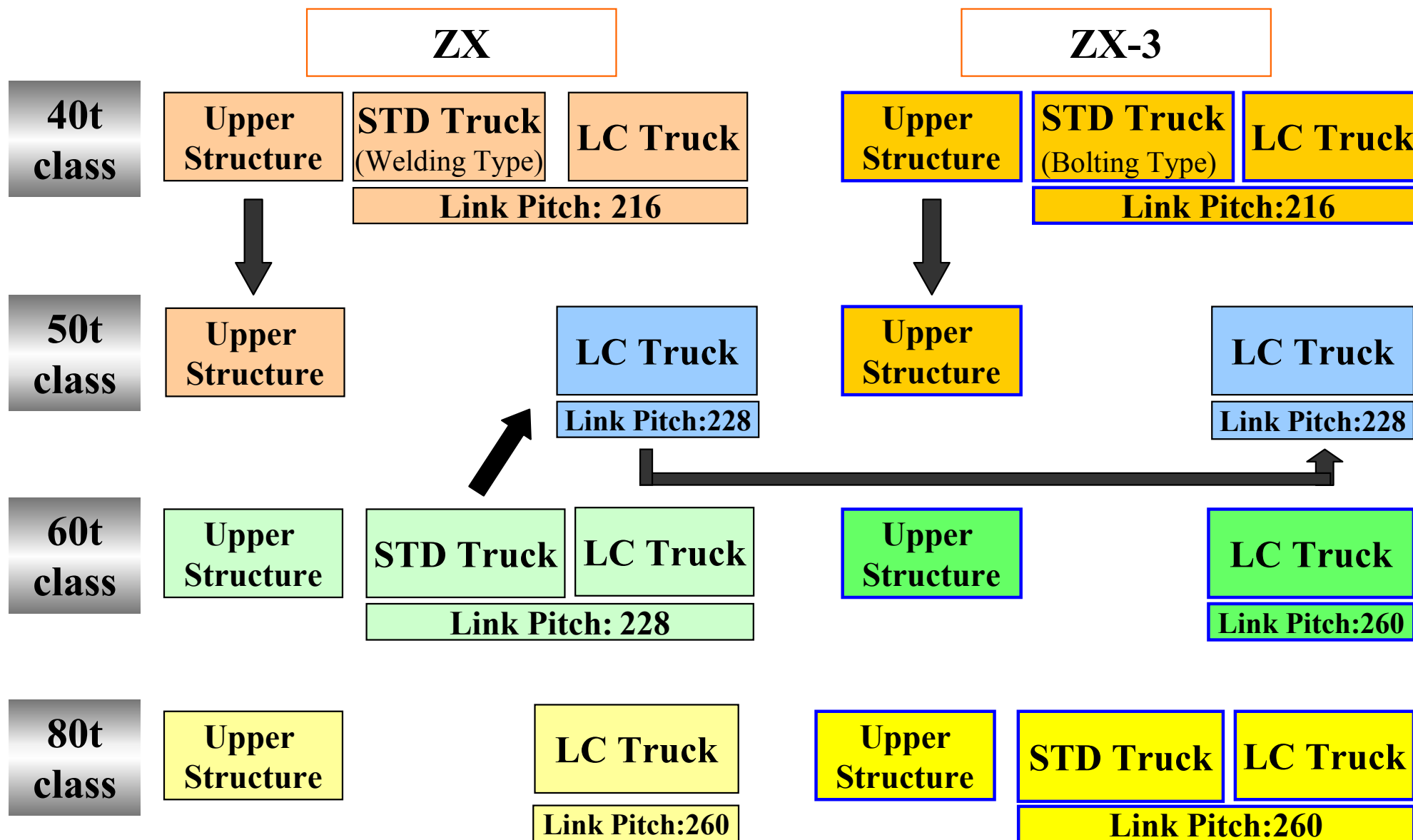
1. Model Configuration
2. Design Changes
3. Arrangement of Devices
4. Main Selling Points
5. Specification Comparison  
with Competitor's Machine
6. Component Commonality

# 1. Model Configuration

ZX380HH (ZX370MTH)	⇒	ZX400R-3 ZX400LCR-3	New New	
ZX450 ZX450LC ZX450H ZX450LCH	⇒	ZX450-3 ZX450LC-3 ZX470H-3 ZX470LCH-3 ZX470R-3 ZX470LCR-3	New New	
ZX480MT ZX480MTH ZX500LC ZX500LCH	⇒	Consolidated Consolidated ZX500LC-3 ZX520LCH-3 ZX520LCR-3	New New	
	⇒	ZX600 ZX600LC ZX650H ZX650LCH	Discontinued ZX650LC-3 Discontinued ZX670LC-3 ZX670LCR-3	New
	⇒		ZX850-3 ZX850LC-3 ZX870H-3 ZX870LCH-3 ZX870R-3 ZX870LCR-3	New New New New

- Next model name: **ZX-3**
- **STD: 00 and 50, H: +20**
- **450: Set Narrow type as a standard**
- **480 and 500: Consolidated**
- **600: Converged with LC**
- **800: Newly line up STD truck**

# Model Configuration



## 2. Design Changes