

PART NO. EM1JB-1-2

HITACHI

Operator's Manual

ZAXIS

850-3

850LC-3

870H-3

870LCH-3

Hydraulic Excavator

ZAXIS850-3 • 850LC-3 • 870H-3 • 870LCH-3 HYDRAULIC EXCAVATOR OPERATOR'S MANUAL

 **Hitachi Construction Machinery Co., Ltd.**

URL:<http://www.hitachi-c-m.com>



Recycle This book is printed on recycled paper.

PRINTED IN JAPAN (E) 2007, 10

EM1JB-1-2

Serial No 20001 and up

INTRODUCTION

Read this manual carefully to learn how to operate and service your machine correctly. Failure to do so could result in personal injury or machine damage.

This manual should be considered a permanent part of your machine and should remain with the machine when you sell it.

This machine is of metric design. Measurements in this manual are metric. Use only metric hardware and tools as specified.

- SI Units (International System of Units) are used in this manual.
For reference MKS system units and English units are also indicated in parentheses after the SI units.
Example : 24.5 MPa (250 kgf/cm², 3560 psi)

Right-hand and left-hand sides are determined by facing in the direction of forward travel.

Write product identification numbers in the Machine Numbers section. Accurately record all the numbers to help in tracing the machine should it be stolen. Your dealer also needs these numbers when you order parts. If this manual is kept on the machine, also file the identification numbers in a secure place off the machine.

Use only diesel fuel with quality specified in JIS K-2204, EN-590, ASTM D-975, GOST R52368 or GB252. Failure to use diesel fuel with quality as specified above may allow the engine to emit exhaust gas which cleanliness can not conform to the requests in various relevant regulations. In addition, serious damage to the engine may result. Consult with your nearest Hitachi dealer for detailed information.

Warranty is provided as a part of Hitachi's support program for customers who operate and maintain their equipment as described in this manual. The warranty is explained on the warranty certificate which you should have received from your dealer.

This warranty provides you the assurance that Hitachi will back its products where defects appear within the warranty period. In some circumstances, Hitachi also provides field improvements, often without charge to the customer, even if the product is out of warranty.

Should the equipment be abused, or modified to change its performance beyond the original factory specifications, the warranty will become void and field improvements may be denied.

Setting fuel delivery above specifications or otherwise overpowering machines will result in such action.

Only qualified, experienced operators officially licensed (according to local law) should be allowed to operate the machine. Moreover, only officially licensed personnel should be allowed to inspect and service the machine.

PRIOR TO OPERATING THIS MACHINE, INCLUDING SATELLITE COMMUNICATION SYSTEM, IN A COUNTRY OTHER THAN A COUNTRY OF ITS INTENDED USE, IT MAY BE NECESSARY TO MAKE MODIFICATIONS TO IT SO THAT IT COMPLIES WITH THE LOCAL REGULATORY STANDARDS (INCLUDING SAFETY STANDARDS) AND LEGAL REQUIREMENTS OF THAT PARTICULAR COUNTRY. PLEASE DO NOT EXPORT OR OPERATE THIS MACHINE OUTSIDE OF THE COUNTRY OF ITS INTENDED USE UNTIL SUCH COMPLIANCE HAS BEEN CONFIRMED. PLEASE CONTACT HITACHI CONSTRUCTION MACHINERY CO., LTD. OR ANY OF OUR AUTHORIZED DISTRIBUTOR OR DEALER IF YOU HAVE ANY QUESTIONS CONCERNING COMPLIANCE.

All information, illustrations and specifications in this manual are based on the latest product information available at the time of publication. The right is reserved to make changes at any time without notice.

INDEX

MACHINE NUMBERS

SAFETY

SAFETY SIGNS

COMPONENTS NAME

GETTING ON/OFF THE MACHINE

OPERATOR'S STATION

BREAK-IN

OPERATING THE ENGINE

DRIVING THE MACHINE

OPERATING THE MACHINE

ASSEMBLING

MAINTENANCE

HYDRAULIC CIRCUIT AND ELECTRICAL CIRCUIT

MAINTENANCE UNDER SPECIAL ENVIRONMENTAL CONDITIONS

STORAGE

TROUBLESHOOTING

SPECIFICATIONS

OPTIONAL ATTACHMENTS AND DEVICES

INDEX

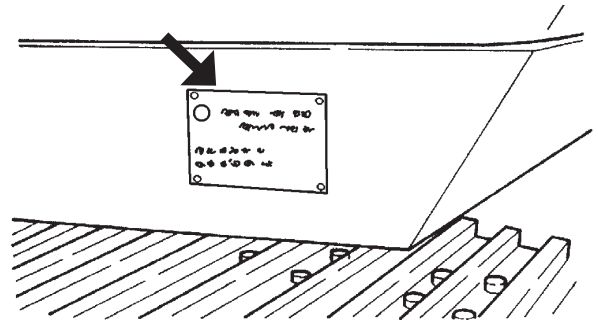
MACHINE NUMBERS

The manufacturing Nos. explained in this group is the individual number (serial No.) given to each machine and hydraulic components. These numbers are requested when inquiring any information on the machine and/or components. Fill these serial Nos. in the blank spaces in this group to immediately make them available upon request.

MACHINE

MODEL/TYPE: _____

PRODUCT IDENTIFICATION NUMBER: _____



M157-00-001

PRODUCT IDENTIFICATION NUMBER

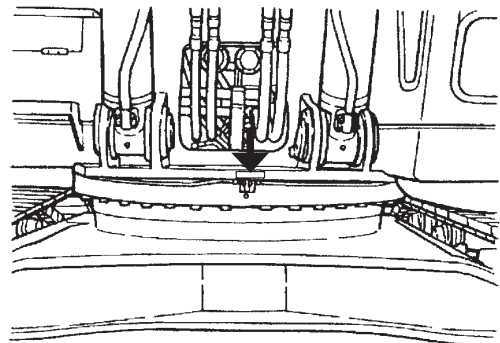
PRODUCT IDENTIFICATION NUMBER: _____

NOTE:

HCM1JB00P00020001

Marks to indicate the start and end of the PIN

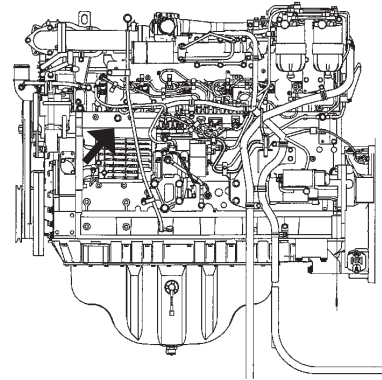
PRODUCT IDENTIFICATION NUMBER (PIN)



M111-07-010

ENGINE TYPE AND SERIAL NUMBER

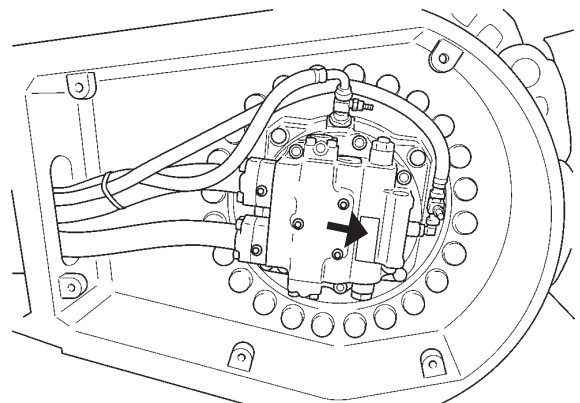
TYPE: _____
MFG. NO.: _____



M1J1-00-001

TRAVEL MOTOR TYPE AND SERIAL NUMBER

TYPE: _____
MFG. NO.: _____

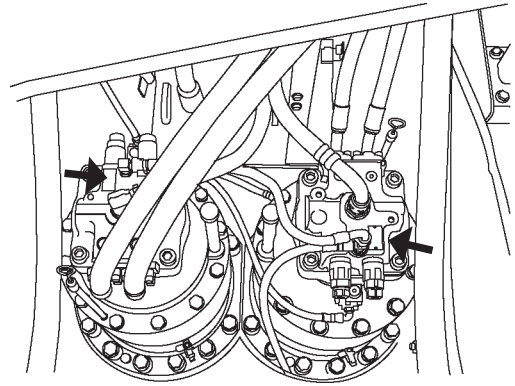


M17V-00-002

MACHINE NUMBERS

SWING MOTOR TYPE AND SERIAL NUMBER

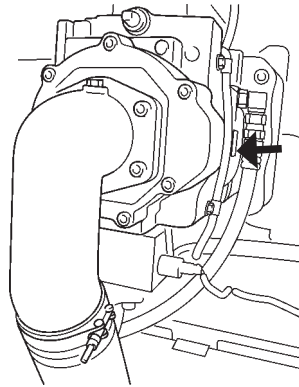
TYPE: _____
MFG. NO.: _____



M1JB-00-001

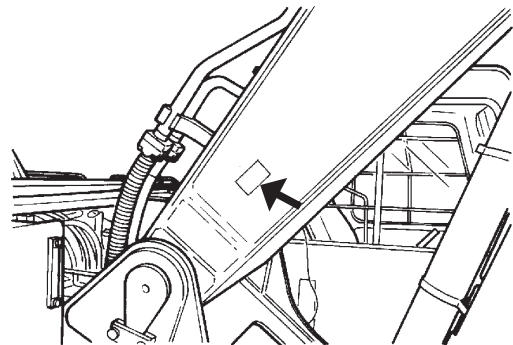
HYDRAULIC PUMP TYPE AND SERIAL NUMBER

TYPE: _____
MFG. NO.: _____



BOOM TYPE AND SERIAL NUMBER

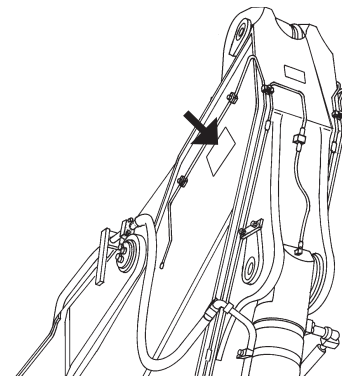
TYPE: _____
MFG. NO.: _____



M1J7-07-003

ARM TYPE AND SERIAL NUMBER

TYPE: _____
MFG. NO.: _____



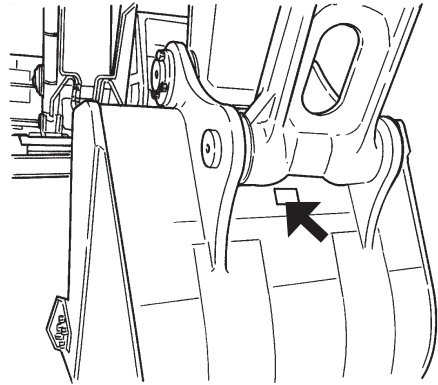
M111-12-005

M17V-00-005

MACHINE NUMBERS

BUCKET TYPE AND SERIAL NUMBER

TYPE: _____
MFG. NO.: _____



M116-12-004

MACHINE NUMBERS

MEMO

A series of horizontal dotted lines for writing.

CONTENTS

MACHINE NUMBERS

SAFETY

Recognize Safety Information	S-1
Understand Signal Words	S-1
Follow Safety Instructions	S-2
Prepare for Emergencies	S-2
Wear Protective Clothing	S-3
Protect Against Noise	S-3
Inspect Machine	S-3
General Precautions for Cab	S-4
Use Handholds and Steps	S-5
Adjust the Operator's Seat	S-5
Ensure Safety Before Rising from or Leaving Operator's Seat	S-5
Fasten Your Seat Belt	S-6
Move and Operate Machine Safely	S-6
Handle Starting Aids Safely	S-6
Operate Only from Operator's Seat	S-7
Jump Starting	S-7
Keep Riders Off Machine	S-7
Precautions for Operations	S-8
Investigate Job Site Beforehand	S-9
Equipment of Head Guard, Rops, Fops	S-10
Provide Signals for Jobs Involving Multiple Numbers of Machines	S-10
Confirm Direction of Machine to Be Driven	S-10
Drive Machine Safely	S-11
Avoid Injury from Rollaway Accidents	S-13
Avoid Injury from Back-over and Swing Accidents	S-14
Keep Person Clear from Working Area	S-15
Never Position Bucket Over Anyone	S-15
Avoid Undercutting	S-15
Avoid Tipping	S-16
Never Undercut a High Bank	S-16
Dig with Caution	S-17
Operate with Caution	S-17
Avoid Power Lines	S-18
Precautions for Lightening	S-18
Object Handling	S-18
Protect Against Flying Debris	S-19
Park Machine Safely	S-19
Handle Fluids Safely—Avoid Fires	S-19
Transport Safely	S-20
Practice Safe Maintenance	S-21
Warn Others of Service Work	S-22
Support Machine Properly	S-22
Stay Clear of Moving Parts	S-22
Prevent Parts from Flying	S-23
Store Attachments Safely	S-23
Prevent Burns	S-24
Replace Rubber Hoses Periodically	S-24
Avoid High-Pressure Fluids	S-25
Prevent Fires	S-26
Evacuating in Case of Fire	S-27

Beware of Exhaust Fumes	S-27
Precautions for Welding and Grinding	S-27
Avoid Heating Near Pressurized Fluid Lines	S-28
Avoid Applying Heat to Lines Containing Flammable Fluids	S-28
Remove Paint Before Welding or Heating	S-28
Beware of Asbestos Dust	S-29
Prevent Battery Explosions	S-29
Service Air Conditioning System Safely	S-29
Handle Chemical Products Safely	S-30
Dispose of Waste Properly	S-30

SAFETY SIGNS/Europe/Asia/Middle and Near East Model Only	S-31
---	-------------

SAFETY SIGNS/North America and Oceania Model Only	S-38
--	-------------

COMPONENTS NAME	1-1
------------------------------	------------

GETTING ON / OFF THE MACHINE	1-2
---	------------

OPERATOR'S STATION

Cab Features	1-3
Multi Function Monitor	1-5
Outline	1-6
Menu Screen (23)	1-9
Hour Meter	1-10
Fuel Gauge	1-10
Clock	1-10
Back Monitor Selector	1-10
Menu Key	1-11
Optional Function Key	1-11
Return to Basic Screen Key	1-11
Alarm Light	1-11
Optional Function Display	1-11
Coolant Temperature Gauge	1-12
Operating Status Icon Display	1-12
Alarm Occurrence Screen	1-17
Contents of Alarms	1-19
Clock Setting	1-21
Attachment Selection (Only Machines Equipped with Optional Parts)	1-22
Pump 2 Flow Rate Adjustment (Only Machines Equipped with Optional Parts)	1-25
Displaying Operating Conditions	1-26
Fuel Rate Display/No Display	1-27
Back Monitor Settings	1-35
Maintenance Settings	1-42
Mail (Optional)	1-47
Language Settings	1-49
Switch Panel	1-51
Engine Control Dial	1-52
Auto-idle Switch	1-52
Power Mode Switch	1-53

CONTENTS

Travel Mode Switch	1-53	Using Booster Batteries	3-7
Work Light Switch	1-54	Stopping the Engine	3-9
Wiper/Washer Switch.....	1-55		
Switch Panel (Optional Included).....	1-56	DRIVING THE MACHINE	
Fan Rotating Direction Device(Optional)	1-60	Drive the Machine Carefully	4-1
Key Switch.....	1-61	Steering the Machine Using Pedals	4-2
Power Boost Switch	1-61	Steering the Machine Using Levers	4-3
Horn Switch	1-61	Travel Mode Switch	4-4
Cigar Lighter.....	1-62	Travel Alarm (Optional)	4-4
Cab Light	1-63	Operating on Soft Ground	4-5
Installing Fire Extinguisher (Optional)	1-63	Raise One Track Using Boom and Arm	4-5
Pilot Control Shut-off Lever	1-64	Towing Machine a Short Distance.....	4-6
Engine Stop Switch.....	1-64	Operating in Water or Mud	4-7
Fuse Box.....	1-65	Parking the Machine on Slopes.....	4-8
Additional Fuse Box.....	1-65	Parking the Machine	4-8
Air Conditioner Operation	1-66		
Auto Air Conditioner	1-67	OPERATING THE MACHINE	
Cab Heater Operation.....	1-72	Control Lever (ISO Pattern)	5-1
Cooling Operation	1-72	Control Lever (HITACHI Pattern).....	5-2
Defroster Operation	1-73	Pilot Control Shut-off Lever	5-3
Tips for Optimal Air Conditioner Usage	1-74	Engine Speed Control.....	5-6
AM/FM Radio Operation	1-75	Auto-idle	5-7
Digital Clock Setting Procedure	1-76	Work Mode	5-8
Cab Door Release Lever	1-77	Work Mode Select.....	5-9
Opening Upper Front Window (ZAXIS850-3, 850LC-3)	1-77	Power Boost	5-10
Closing Upper Front Window.....	1-78	Power Mode	5-11
Removing and Storing Lower Front Window (ZAXIS850-3, 850LC-3).....	1-79	Operating Backhoe.....	5-12
Opening Side Windows.....	1-79	Grading Operation.....	5-12
Opening/Closing Overhead Window (ZAXIS850-3, 850LC-3).....	1-80	Precaution for Arm Roll-in/ Bucket Roll-in Combined Operation	5-13
Opening/Closing Overhead Window.....	1-80	Avoid Abusive Operation	5-13
Emergency Exit(ZAXIS850-3, 850LC-3).....	1-81	Operating Tips.....	5-14
Emergency Exit(ZAXIS870H-3, 870LCH-3)	1-82	Select Correct Track Shoes.....	5-14
Adjusting the Seat	1-83	Object Handling --- If Equipped.....	5-15
Adjusting the Seat (Heater Seat Optional).....	1-85	Overnight Storage Instructions.....	5-17
Seat With a Built-in Heater	1-86		
Adjusting the Air-suspension Seat (Optional)	1-87	ASSEMBLING	
Seat With a Built-in Heater	1-88	Precautions for Assembling.....	6-1
Adjusting Console Height.....	1-89	Precautions for Slinging Work	6-3
Seat Belt.....	1-90	Precautions for Operating Machine	6-4
		Installing Counterweight.....	6-5
BREAK-IN		Installing Boom Cylinder	6-6
Observe Engine Operation Closely.....	2-1	Installing Boom	6-8
Every 8 Hours or Daily.....	2-1	Connecting Hoses Between Boom Cylinder and Machine	6-9
After the First 50 Hours	2-1	Installing Boom Cylinder Rod	6-10
After the First 100 Hours.....	2-1	Installing Arm	6-11
		Connecting Arm Cylinder Rod.....	6-12
OPERATING THE ENGINE		Connecting Bucket Cylinder Hoses	6-13
Inspect Machine Daily Before Starting	3-1	Installing Bucket	6-14
Before Starting Engine	3-2	Final Inspection.....	6-15
Level Check.....	3-3	Transporting by Road	6-16
Starting the Engine in Ordinary Temperature.....	3-4	Transporting the Machine by Trailer	6-16
Starting in Cold Weather	3-5	Loading/Unloading on a Trailer	6-16
Check Instruments after Starting	3-6	Retracting or Extending the Side Frame.....	6-20

CONTENTS

Retracting the Side Frame.....	6-21	Change Coolant	7-60
Extending the Side Frame	6-22	Clean Radiator/ Oil Cooler/ Inter Cooler/ Fuel Cooler Core.....	7-61
Type of Packings for Transportaion	6-25	Clean Oil Cooler Front Screen	7-61
Packing Dimensions and Weights for Transportation-1 (Backhoe).....	6-26	H. Air Conditioner	7-62
Packing Dimensions and Weights for Transportation-2 (Backhoe).....	6-29	Clean and Replace Air Conditioner Filter	7-63
MAINTENANCE		Check Refrigerant (Gas) Quantity	7-65
Correct Maintenance and Inspection Procedures	7-1	Check Compressor Belt Tension	7-65
Check the Hour Meter Regularly.....	7-2	Clean Condenser Core	7-66
Use Correct Fuels and Lubricants	7-2	Check Looseness at Each of Fastened Areas.....	7-66
Prepare Machine for Maintenance	7-3	Check in-season and Off-season.....	7-67
Hood and Access Covers.....	7-4	I. Electrical System.....	7-68
Periodic Replacement of Parts.....	7-5	Batteries	7-69
Maintenance Guide	7-6	Replace Batteries	7-73
A. Greasing	7-9	Replacing Fuses.....	7-73
Automatic Lubrication --- If Equipped	7-10	Fuse Box	7-73
Front Joint Pins (Backhoe).....	7-12	Additional Fuse Box.....	7-73
Swing Bearing.....	7-14	J. Miscellaneous	7-75
Electric Grease Gun --- If Equipped	7-15	Check Bucket Teeth.....	7-76
Swing Internal Gear	7-19	Change Bucket	7-82
B. Engine Oil	7-20	Adjust the Bucket Linkage (Backhoe)	7-83
Engine Oil Level.....	7-21	Remove the Travel Levers	7-84
Change Engine Oil	7-22	Check and Replace Seat Belt	7-84
Replace Engine Oil Filter	7-22	Check Windshield Washer Fluid Level.....	7-84
C. Transmission Oil	7-24	Check Track Sag	7-85
Pump Transmission.....	7-25	Clean Cab Floor	7-87
Swing Reduction Gear	7-26	Check Tightening Torque of Bolts and Nuts	7-88
Travel Reduction Gear.....	7-27	Check O-rings in Bucket Joints	7-102
D. Hydraulic System	7-29	Retighten Cylinder Head Bolt	7-103
Inspection and Maintenance of Hydraulic Equipment.....	7-30	Inspect and Adjust Valve Clearance.....	7-103
Check Hydraulic Oil Level	7-32	Check Fuel Injection Timing	7-103
Drain Hydraulic Oil Tank Sump	7-33	Measure Engine Compression Pressure	7-103
Change Hydraulic Oil	7-34	Check Starter and Alternator	7-103
Suction Filter Cleaning	7-34	Check Water Pump.....	7-103
Replace Hydraulic Oil Tank Filter.....	7-37	Check and Replace EGR Device	7-103
Replace Pump Drain Filter	7-38	HYDRAULIC CIRCUIT AND ELECTRICAL CIRCUIT	
Replace Pilot Oil Filter	7-39	Hydraulic System	8-1
Replace Air Breather Element	7-40	Main Circuit	8-2
Check Hoses and Lines.....	7-41	Electrical Circuit	8-4
Service Recommendations for Hydraulic Fittings	7-44	Electrical Diagram	8-5
E. Fuel System	7-46	MAINTENANCE UNDER SPECIAL ENVIRONMENTAL CONDITIONS	
Drain Fuel Tank Sump	7-48	Maintenance Under Special Environmental Conditions..	9-1
Check Water Separator	7-48	STORAGE	
Replace Fuel Main Filter Element.....	7-52	Storing the Machine.....	10-1
Replace Fuel Pre-Filter Element.....	7-53	Removing the Machine from Storage.....	10-2
Clean Feed Pump Strainer	7-54	TROUBLESHOOTING	
Check Fuel Hoses.....	7-55	Engine.....	11-1
F. Air Cleaner.....	7-56	Electrical System.....	11-5
Clean the Air Cleaner Outer Element	7-56	Control Levers.....	11-9
Replace the Air Cleaner Outer and Inner Elements...	7-56	Hydraulic System.....	11-9
G. Cooling System	7-57		
Check Coolant Level	7-59		

CONTENTS

SPECIFICATIONS

Specifications (Backhoe)	
ZAXIS850-3, ZAXIS850LC-3	12-1
Working Ranges (Backhoe)	
ZAXIS850-3, ZAXIS850LC-3	12-2
Shoe Types and Applications	12-3
ZAXIS850-3	12-3
ZAXIS850LC-3	12-3
Bucket Types and Applications (Backhoe)	12-4
ZAXIS850-3, ZAXIS850LC-3	12-4
Specifications (Backhoe).....	12-5
ZAXIS870H-3, ZAXIS870LCH-3.....	12-5
Working Ranges (Backhoe).....	12-6
ZAXIS870H-3, ZAXIS870LCH-3.....	12-6
Shoe Types and Applications	12-7
ZAXIS870H-3	12-7
ZAXIS870LCH-3	12-7
Bucket Types and Applications (Backhoe)	12-8
ZAXIS870H-3, ZAXIS870LCH-3.....	12-8
Lifting Capacities	12-9
Sound Level Results (2000/14/EC)	12-10
Vibration Level.....	12-10

OPTIONAL ATTACHMENTS AND DEVICES

Hydraulic Breaker	13-1
Work Mode	13-2
Breaker Operation	13-3
Precautions for Breaker Operation.....	13-5
Breaker Maintenance	13-9
Replace Breaker Circuit Return Oil Filter	13-11
Hydraulic Crusher	13-12
Stop Valve Operation	13-13
Three-Way-Valve Operation (Machines Equipped with the Piping Common to Hydraulic Breaker and Crusher Operation)	13-14
Flow Combining Valve Operation	13-14
Precautions for Crusher Operation	13-15

INDEX	14-1
--------------------	------

SAFETY

RECOGNIZE SAFETY INFORMATION


- These are the **SAFETY ALERT SYMBOLS**.
 - When you see these symbols on your machine or in this manual, be alert to the potential for personal injury.
 - Follow recommended precautions and safe operating practices.



001-E01A-0001

SA-688

UNDERSTAND SIGNAL WORDS

- On machine safety signs, signal words designating the degree or level of hazard - **DANGER**, **WARNING**, or **CAUTION** - are used with the safety alert symbol.
 - **DANGER** indicates an imminently hazardous situation which, if not avoided, will result in death or serious injury.
 - **WARNING** indicates a potentially hazardous situation which, if not avoided, could result in death or serious injury.
 - **CAUTION** indicates a potentially hazardous situation which, if not avoided, may result in minor or moderate injury.
 - **DANGER** or **WARNING** safety signs are located near specific hazards. General precautions are listed on **CAUTION** safety signs.
 - Some safety signs don't use any of the designated signal words above after the safety alert symbol are occasionally used on this machine.
- To avoid confusing machine protection with personal safety messages, a signal word **IMPORTANT** indicates a situation which, if not avoided, could result in damage to the machine.
-  **NOTE** indicates an additional explanation for an element of information.



002-E01A-1223

SA-1223

SAFETY

FOLLOW SAFETY INSTRUCTIONS

- Carefully read and follow all safety signs on the machine and all safety messages in this manual.
- Safety signs should be installed, maintained and replaced when necessary.
 - If a safety sign or this manual is damaged or missing, order a replacement from your authorized dealer in the same way you order other replacement parts (be sure to state machine model and serial number when ordering).
- Learn how to operate the machine and its controls correctly and safely.
- Allow only trained, qualified, authorized personnel to operate the machine.
- Keep your machine in proper working condition.
 - Unauthorized modifications of the machine may impair its function and/or safety and affect machine life.
 - Do not modify any machine parts without authorization. Failure to do so may deteriorate the part safety, function, and/or service life. In addition, personal accident, machine trouble, and/or damage to material caused by unauthorized modifications will void Hitachi Warranty Policy.
 - Do not use attachments and/or optional parts or equipment not authorized by Hitachi. Failure to do so may deteriorate the safety, function, and/or service life of the machine. In addition, personal accident, machine trouble, and/or damage to material caused by using unauthorized attachments and/or optional parts or equipment will void Hitachi Warranty Policy.
- The safety messages in this SAFETY chapter are intended to illustrate basic safety procedures of machines. However it is impossible for these safety messages to cover every hazardous situation you may encounter. If you have any questions, you should first consult your supervisor and/or your authorized dealer before operating or performing maintenance work on the machine.

003-E01B-0003



SA-003

PREPARE FOR EMERGENCIES

- Be prepared if a fire starts or if an accident occurs.
 - Keep a first aid kit and fire extinguisher on hand.
 - Thoroughly read and understand the label attached on the fire extinguisher to use it properly.
 - To ensure that a fire-extinguisher can be always used when necessary, check and service the fire-extinguisher at the recommended intervals as specified in the fire-extinguisher manual.
 - Establish emergency procedure guidelines to cope with fires and accidents.
 - Keep emergency numbers for doctors, ambulance service, hospital, and fire department posted near your telephone.

004-E01A-0437



SA-437

SAFETY

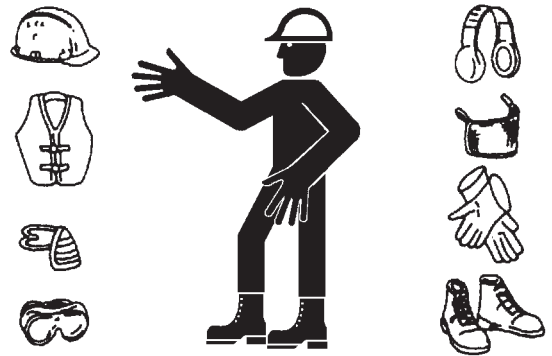
WEAR PROTECTIVE CLOTHING

- Wear close fitting clothing and safety equipment appropriate to the job.

You may need:

- A hard hat
- Safety shoes
- Safety glasses, goggles, or face shield
- Heavy gloves
- Hearing protection
- Reflective clothing
- Wet weather gear
- Respirator or filter mask.

Be sure to wear the correct equipment and clothing for the job. Do not take any chances.



SA-438

- Avoid wearing loose clothing, jewelry, or other items that can catch on control levers or other parts of the machine.
- Operating equipment safely requires the full attention of the operator. Do not wear radio or music headphones while operating the machine.

005-E01A-0438

PROTECT AGAINST NOISE

- Prolonged exposure to loud noise can cause impairment or loss of hearing.
- Wear a suitable hearing protective device such as earmuffs or earplugs to protect against objectionable or uncomfortably loud noises.



006-E01A-0434

SA-434

INSPECT MACHINE

- Inspect your machine carefully each day or shift by walking around it before you start it to avoid personal injury.
- In the walk-around inspection be sure to cover all points described in the “PRE-START INSPECTION” chapter in the operator’s manual.



007-E01A-0435

SA-435

SAFETY

GENERAL PRECAUTIONS FOR CAB

- Before entering the cab, thoroughly remove all dirt and/or oil from the soles of your work boots. If any controls such as a pedal is operated while with dirt and/or oil on the soles of the operator's work boots the operator's foot may slip off the pedal, possibly resulting in a personal accident.
- Do not leave parts and/or tools lying around the operator's seat. Store them in their specified locations.
- Avoid storing transparent bottles in the cab. Do not attach any transparent type window decorations on the windowpanes as they may focus sunlight, possibly starting a fire.
- Refrain from listening to the radio, or using music headphones or mobile telephones in the cab while operating the machine.
- Keep all flammable objects and/or explosives away from the machine.
- After using the ashtray, always cover it to extinguish the match and/or tobacco.
- Do not leave cigarette lighters in the cab. When the temperature in the cab increases, the lighter may explode.

524-E01A-0000

SAFETY

USE HANDHOLDS AND STEPS

- Falling is one of the major causes of personal injury.
 - When you get on and off the machine, always face the machine and maintain a three-point contact with the steps and handrails.
 - Do not use any controls as hand-holds.
 - Never jump on or off the machine. Never mount or dismount a moving machine.
 - Be careful of slippery conditions on platforms, steps, and handrails when leaving the machine.



008-E01A-0439

SA-439

ADJUST THE OPERATOR'S SEAT

- A poorly adjusted seat for either the operator or for the work at hand may quickly fatigue the operator leading to misoperations.
 - The seat should be adjusted whenever changing the operator for the machine.
 - The operator should be able to fully depress the pedals and to correctly operate the control levers with his back against the seat back.
 - If not, move the seat forward or backward, and check again.
 - Adjust the rear view mirror position so that the best rear visibility is obtained from the operator's seat. If the mirror is broken, immediately replace it with a new one.



009-E01A-0462

SA-378

ENSURE SAFETY BEFORE RISING FROM OR LEAVING OPERATOR'S SEAT

- Before rising from the operator's seat to open/close either side window or to adjust the seat position, be sure to first lower the front attachment to the ground and then move the pilot control shut-off lever to the LOCK position. Failure to do so may allow the machine to unexpectedly move when a body part unintentionally comes in contact with a control lever, possibly resulting in serious personal injury or death.
- Before leaving the machine, be sure to first lower the front attachment to the ground and then move the pilot control shut-off lever to the LOCK position. Turn the key switch OFF to stop the engine.
- Before leaving the machine, close all windows, doors, and access covers and lock them up.

SAFETY

FASTEN YOUR SEAT BELT

- If the machine should overturn, the operator may become injured and/or thrown from the cab. Additionally the operator may be crushed by the overturning machine, resulting in serious injury or death.
- Prior to operating the machine, thoroughly examine webbing, buckle and attaching hardware. If any item is damaged or worn, replace the seat belt or component before operating the machine.
- Be sure to remain seated with the seat belt securely fastened at all times when the machine is in operation to minimize the chance of injury from an accident.
- We recommend that the seat belt be replaced every three years regardless of its apparent condition.

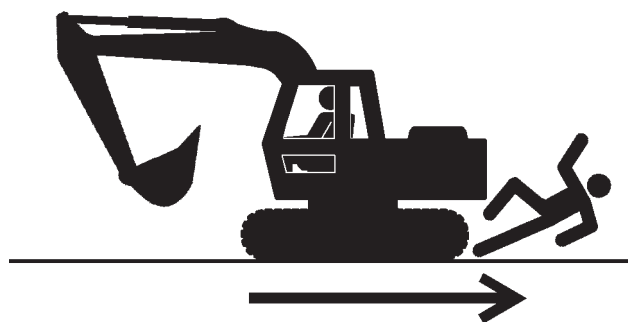


SA-237

010-E01A-0237

MOVE AND OPERATE MACHINE SAFELY

- Bystanders can be run over.
 - Take extra care not to run over bystanders. Confirm the location of bystanders before moving, swinging, or operating the machine.
 - Always keep the travel alarm and horn in working condition (if equipped). It warns people when the machine starts to move.
 - Use a signal person when moving, swinging, or operating the machine in congested areas. Coordinate hand signals before starting the machine.
 - Use appropriate illumination. Check that all lights are operable before operating the machine. If any faulty illumination is present, immediately repair it.



SA-426

011-E01A-0398

HANDLE STARTING AIDS SAFELY

Starting fluid:

- Starting fluid is highly flammable.
 - Keep all sparks and flame away when using it.
 - Keep starting fluid well away from batteries and cables.
 - Remove container from machine if engine does not need starting fluid.
 - To prevent accidental discharge when storing a pressurized container, keep the cap on the container, and store it in a cool, well-protected location.
 - Do not incinerate or puncture a starting fluid container.



036-E01A-0293-3

SA-293

SAFETY

OPERATE ONLY FROM OPERATOR'S SEAT

- Inappropriate engine starting procedures may cause the machine to runaway, possibly resulting in serious injury or death.
 - Start the engine only when seated in the operator's seat.
 - NEVER start the engine while standing on the track or on ground.
 - Do not start engine by shorting across starter terminals.
 - Before starting the engine, confirm that all control levers are in neutral.
 - Before starting the engine, confirm the safety around the machine and sound the horn to alert bystanders.



012-E01B-0431

SA-444

JUMP STARTING

- Battery gas can explode, resulting in serious injury.
 - If the engine must be jump started, be sure to follow the instructions shown in the "OPERATING THE ENGINE" chapter in the operator's manual.
 - The operator must be in the operator's seat so that the machine will be under control when the engine starts. Jump starting is a two-person operation.
 - Never use a frozen battery.
 - Failure to follow correct jump starting procedures could result in a battery explosion or a runaway machine.



S013-E01A-0032

SA-032

KEEP RIDERS OFF MACHINE

- Riders on machine are subject to injury such as being struck by foreign objects and being thrown off the machine.
 - Only the operator should be on the machine. Keep riders off.
 - Riders also obstruct the operator's view, resulting in the machine being operated in an unsafe manner.

014-E01B-0427

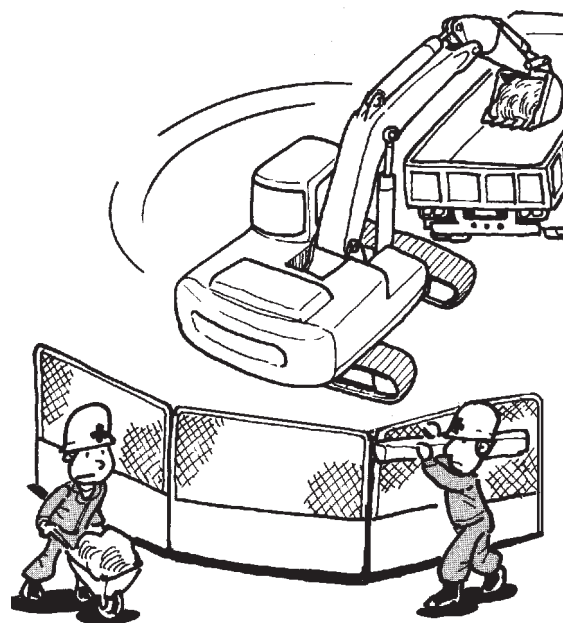


SA-379

SAFETY

PRECAUTIONS FOR OPERATIONS

- Investigate the work site before starting operations.
 - Be sure to wear close fitting clothing and safety equipment appropriate for the job, such as a hard hat, etc. when operating the machine.
- Clear all persons and obstacles from area of operation and machine movement.
Always beware of the surroundings while operating. When working in a small area surrounded by obstacles, take care not to hit the upperstructure against obstacles.
- When loading onto trucks, bring the bucket over the truck beds from the rear side. Take care not to swing the bucket over the cab or over any person.



M104-05-015