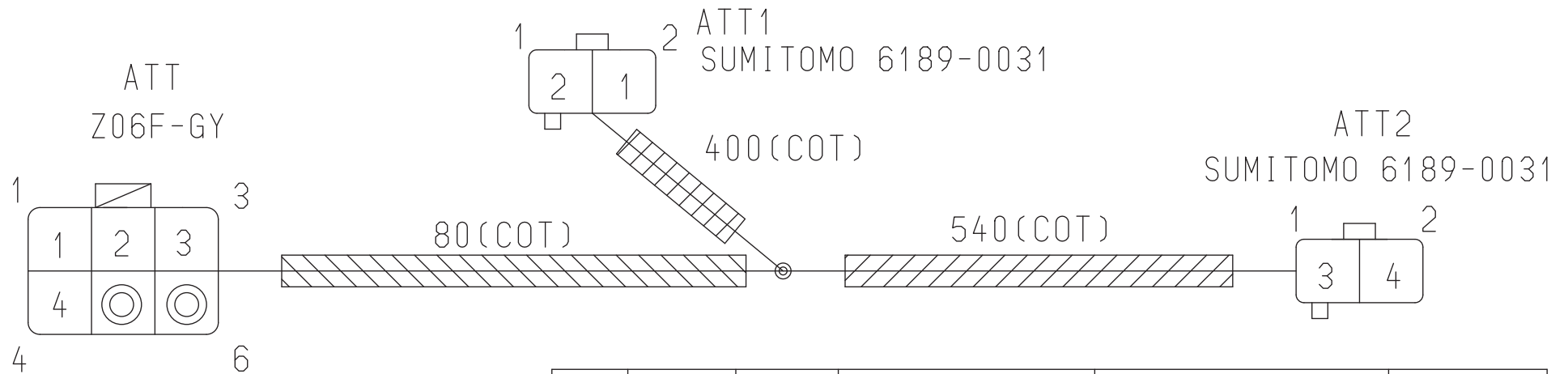


# Hitachi Zaxis 140w 170w 190w 210w 220w 3 Electrical Circuit Diagram 2

Full download: <http://manualplace.com/download/hitachi-zaxis-140w-170w-190w-210w-220w-3-electrical-circuit-diagram-2/>

Attach to Vol. No.: TTCJB-E-00

## ZAXIS210W-3/220W-3 FRONT ATTACHMENT HARNESS (OPTIONAL)



NO.	SIZE	COL.	FROM	TO	
1	0.5	G	ATT-1	ATT1-2	
2	0.5	L	ATT-2	ATT1-1	
3	0.5	P	ATT-3	ATT2-1	
4	0.5	W	ATT-4	ATT2-2	