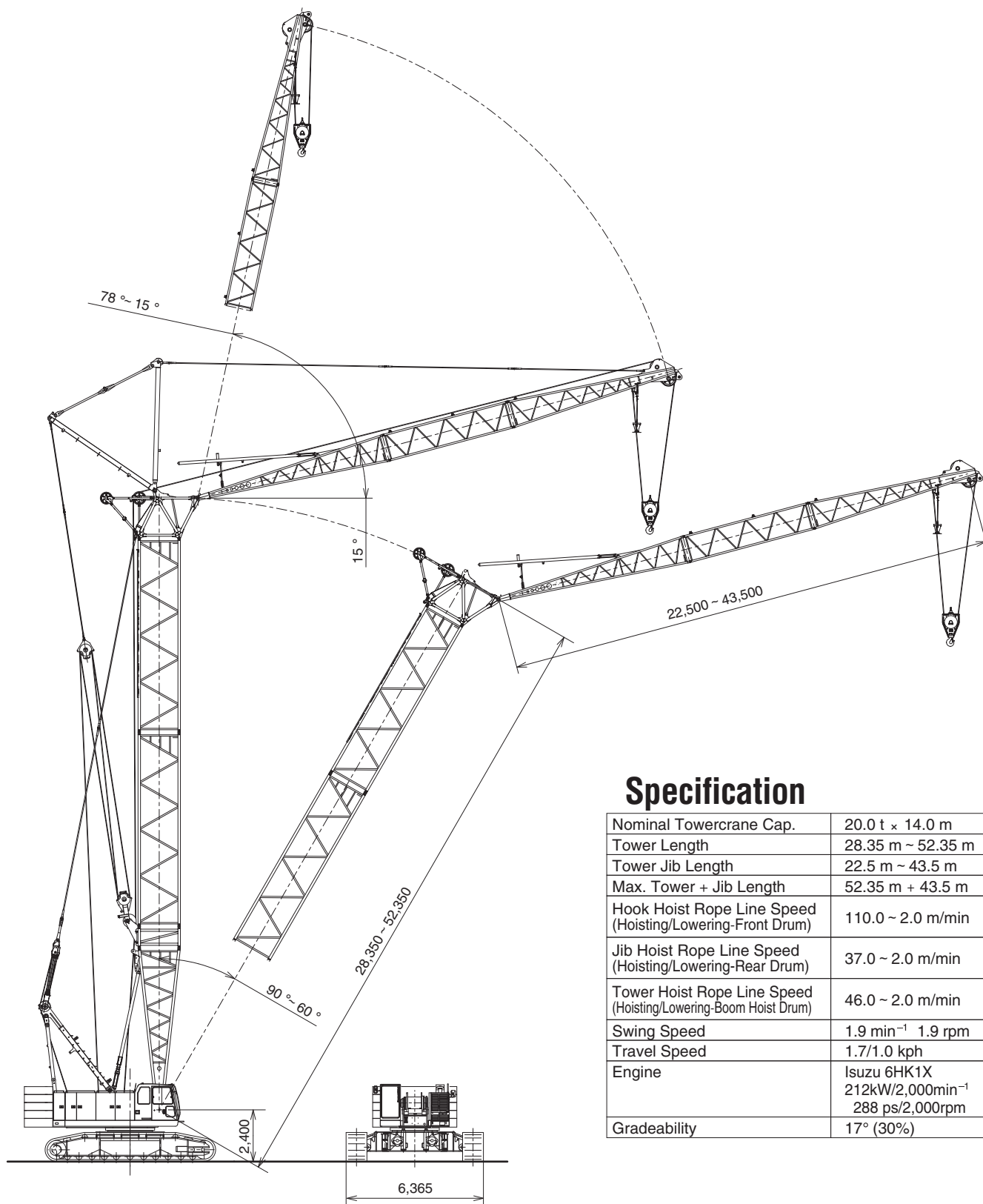




SCX1200-2

120-M ton Hydraulic Crawler Crane
Luffing Towercrane Att.



Specification

Nominal Towercrane Cap.	20.0 t × 14.0 m
Tower Length	28.35 m ~ 52.35 m
Tower Jib Length	22.5 m ~ 43.5 m
Max. Tower + Jib Length	52.35 m + 43.5 m
Hook Hoist Rope Line Speed (Hoisting/Lowering-Front Drum)	110.0 ~ 2.0 m/min
Jib Hoist Rope Line Speed (Hoisting/Lowering-Rear Drum)	37.0 ~ 2.0 m/min
Tower Hoist Rope Line Speed (Hoisting/Lowering-Boom Hoist Drum)	46.0 ~ 2.0 m/min
Swing Speed	1.9 min ⁻¹ 1.9 rpm
Travel Speed	1.7/1.0 kph
Engine	Isuzu 6HK1X 212kW/2,000min ⁻¹ 288 ps/2,000rpm
Gradeability	17° (30%)