

Hitachi Ex200 1 Spare Parts

Full download: <http://manualplace.com/download/hitachi-ex200-1-spare-parts/>

Hitachi EX200-1

BUCKET

BUCKET PINS

BUCKET LINKAGES

BUCKET LINKAGES

DIPPER STICK

BOOM

BUCKET CYLINDER

DIPPER STICK CYLINDER

BOOM LIFT CYLINDER

CAB

SEAT

INSTRUMENT PANEL

RELAYS

COMPUTER

WIRING LOOM

HAND SERVO CONTROLS

HEATER A/C

BONNET

DOORS

FUEL TANK

HYDRAULIC TANK

BELLY PLATES

DIESEL ENGINE

RADIATOR

HYDRAULIC OIL COOLER

HYDRAULIC PUMPS

HYD PUMP DRIVE GEARBOX

SLEW MOTOR

SLEW MOTOR GEARBOX

CONTROL VALVE

CENTRE JOINT

SLEW BEARING

TRACK CHAINS & GROUSERS

TOP ROLLERS

FRONT IDLERS

RECOIL SPRINGS

TRACK ADJUSTERS

BOTTOM ROLLERS

TRACK MOTORS

FINAL DRIVES

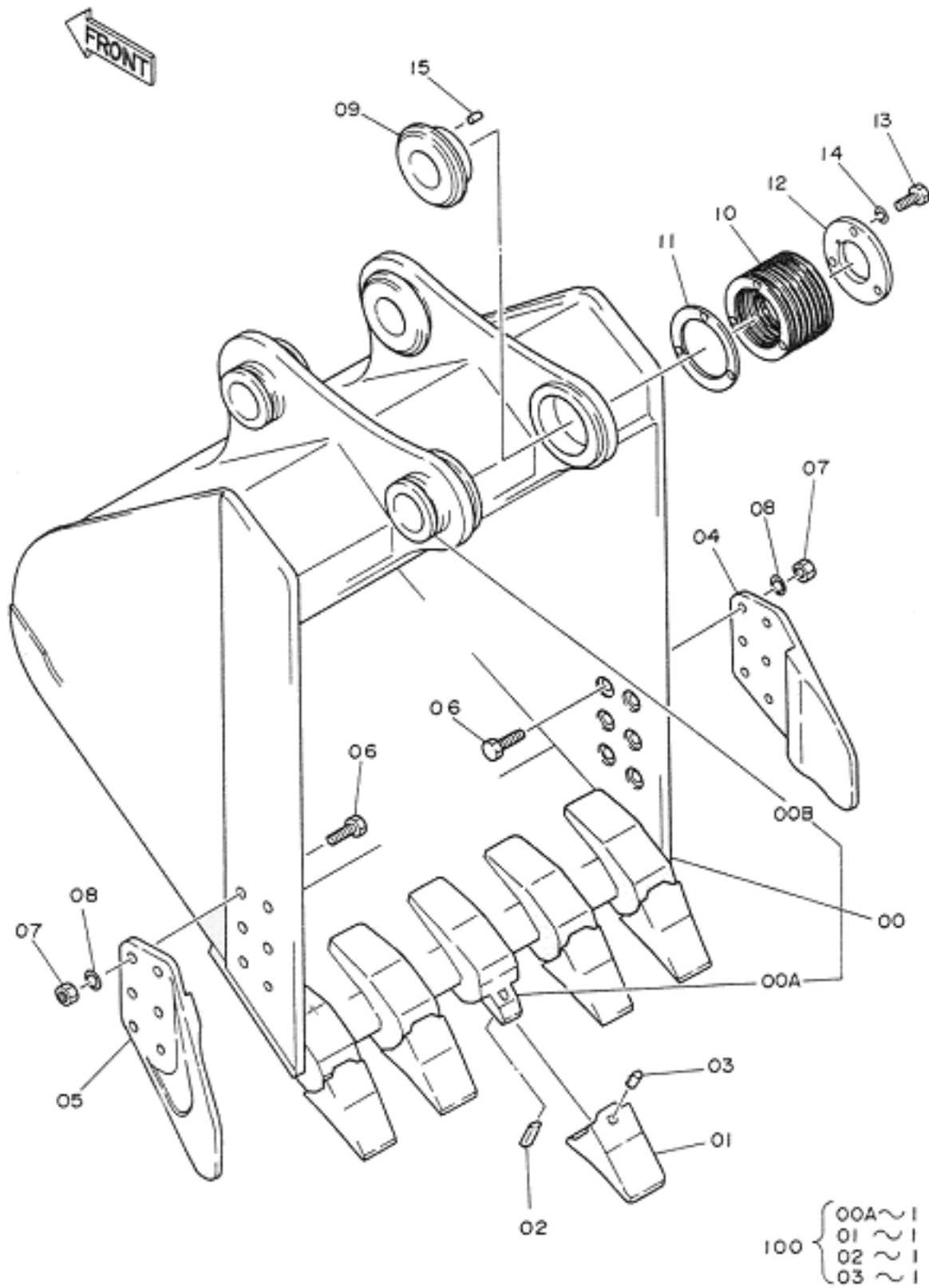
DRIVE SPROCKETS

BATTERIES

HOSES

Other Parts Books

Bucket

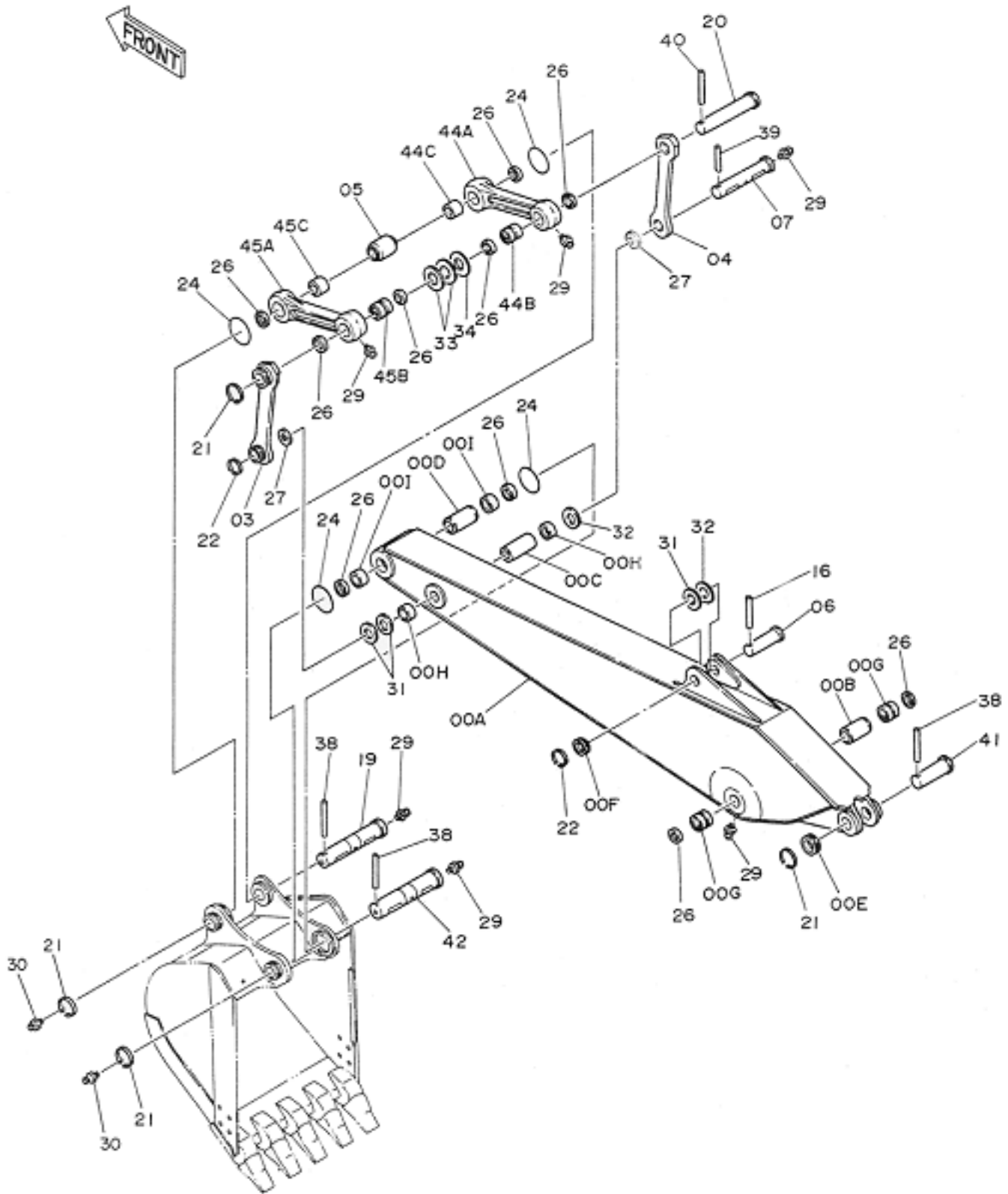


ITEM	PART NO.	PART NAME
	9066946	BUCKET ASS'Y

00	8035054	BUCKET
00A	4187940	ADAPTER; TOOTH
00B	4197035	STOPPER
01	4501626	POINT; TOOTH
02	4501627	PIN; LOCK
03	4501625	RUBBER; LOCK
04	2014503	CUTTER; SIDE
05	2014504	CUTTER; SIDE
06	J932260	BOLT
07	J951022	NUT
08	A590922	WASHER; SPRING
09	4124030	SPACER
10	4124032	SHIM 1.0
11	4124033	SHIM 0.5
12	4143813	PLATE
13	J901650	BOLT
14	A590916	WASHER; SPRING
15	4179110	PIN; KNOCK
100	9075610	KIT; POINT

[Home Page](#)

Bucket Pins



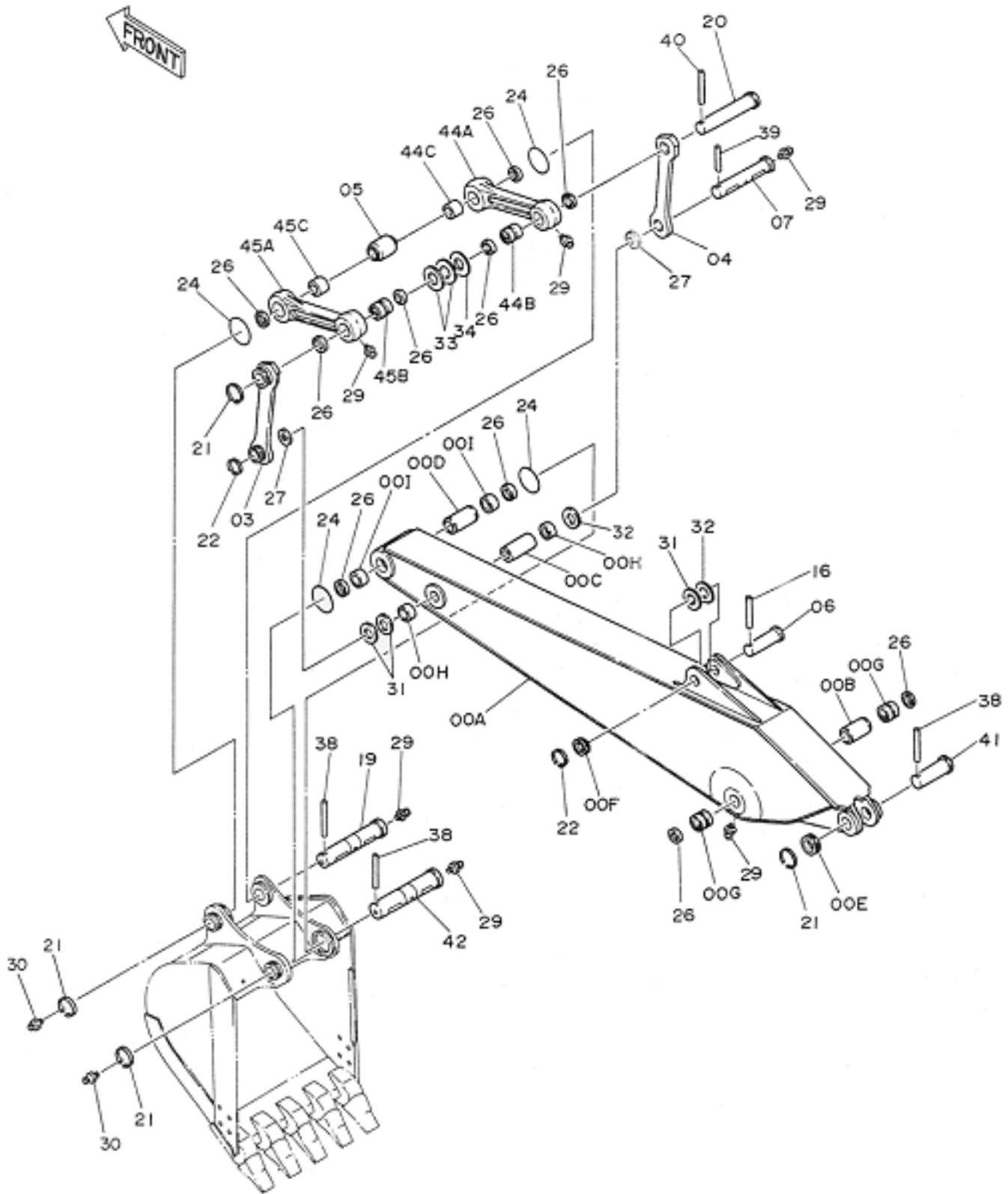
ITEM	PART NO.	PART NAME
00A-I	6007483	ARM ASS'Y

00A	6007469	ARM
00B	4123816	SPACER
00C	4123814	SPACER
00D	4123815	SPACER
00E	4197035	STOPPER
00F	4197034	STOPPER
00G	3036976	BUSHING
00H	4196106	BUSHING
00I	4196105	BUSHING
03	9724023	LINK
04	3033718	LINK
05	4154425	SPACER
06	3036970	PIN
07	3036971	PIN
16	4098717	PIN
19	3036974	PIN
19	3041201	PIN
20	3036973	PIN
21	4098712	RING
22	4098716	RING
24	4089028	O-RING
26	4067902	SEAL;DUST
27	4084578	SEAL;DUST
29	J75481	FITTING
30	J75481	FITTING
31	4097354	SHIM 1.2
32	4097355	SHIM 2.3
33	4114817	SHIM 1.0
34	4114816	SHIM 2.3
38	4098713	PIN
39	4106307	PIN
40	4109669	PIN
41	3036969	PIN
42	3036972	PIN
42	3041200	PIN
44A-C	8038558	LINK (WITH BUSHING)
44A	2024500	LINK

44B	3036977	BUSHING
44C	4196107	BUSHING
45A-C	8033941	LINK (WITH BUSHING)
45A	2021852	LINK
45B	3036977	BUSHING
45C	4196107	BUSHING

[Home Page](#)

Bucket Linkages



ITEM	PART NO.	PART NAME
00A-I	6007483	ARM ASS'Y

00A	6007469	ARM
00B	4123816	SPACER
00C	4123814	SPACER
00D	4123815	SPACER
00E	4197035	STOPPER
00F	4197034	STOPPER
00G	3036976	BUSHING
00H	4196106	BUSHING
00I	4196105	BUSHING
03	9724023	LINK
04	3033718	LINK
05	4154425	SPACER
06	3036970	PIN
07	3036971	PIN
16	4098717	PIN
19	3036974	PIN
19	3041201	PIN
20	3036973	PIN
21	4098712	RING
22	4098716	RING
24	4089028	O-RING
26	4067902	SEAL;DUST
27	4084578	SEAL;DUST
29	J75481	FITTING
30	J75481	FITTING
31	4097354	SHIM 1.2
32	4097355	SHIM 2.3
33	4114817	SHIM 1.0
34	4114816	SHIM 2.3
38	4098713	PIN
39	4106307	PIN
40	4109669	PIN
41	3036969	PIN
42	3036972	PIN
42	3041200	PIN
44A-C	8038558	LINK (WITH BUSHING)
44A	2024500	LINK

Full download: <http://manualplace.com/download/hitachi-ex200-1-spare-parts/>

44B	3036977	BUSHING
44C	4196107	BUSHING
45A-C	8033941	LINK (WITH BUSHING)
45A	2021852	LINK
45B	3036977	BUSHING
45C	4196107	BUSHING

[Home Page](#)
