

Hitachi Ex1501 Part Catalogue

Full download: <http://manualplace.com/download/hitachi-ex1501-part-catalogue/>
Hitachi EX150-1

BUCKET

BUCKET PINS

BUCKET LINKAGES

BUCKET LINKAGES

DIPPER STICK

BOOM

BUCKET CYLINDER

DIPPER STICK CYLINDER

BOOM LIFT CYLINDER

CAB

SEAT

INSTRUMENT PANEL

RELAYS

COMPUTER

WIRING LOOM

HAND SERVO CONTROLS

HEATER A/C

BONNET

DOORS

FUEL TANK

HYDRAULIC TANK

BELLY PLATES

DIESEL ENGINE

RADIATOR

HYDRAULIC OIL COOLER

HYDRAULIC PUMPS

HYD PUMP DRIVE GEARBOX

SLEW MOTOR

SLEW MOTOR GEARBOX

CONTROL VALVE

CENTRE JOINT

SLEW BEARING

TRACK CHAINS & GROUSERS

TOP ROLLERS

FRONT IDLERS

RECOIL SPRINGS

TRACK ADJUSTERS

BOTTOM ROLLERS

TRACK MOTORS

FINAL DRIVES

DRIVE SPROCKETS

BATTERIES

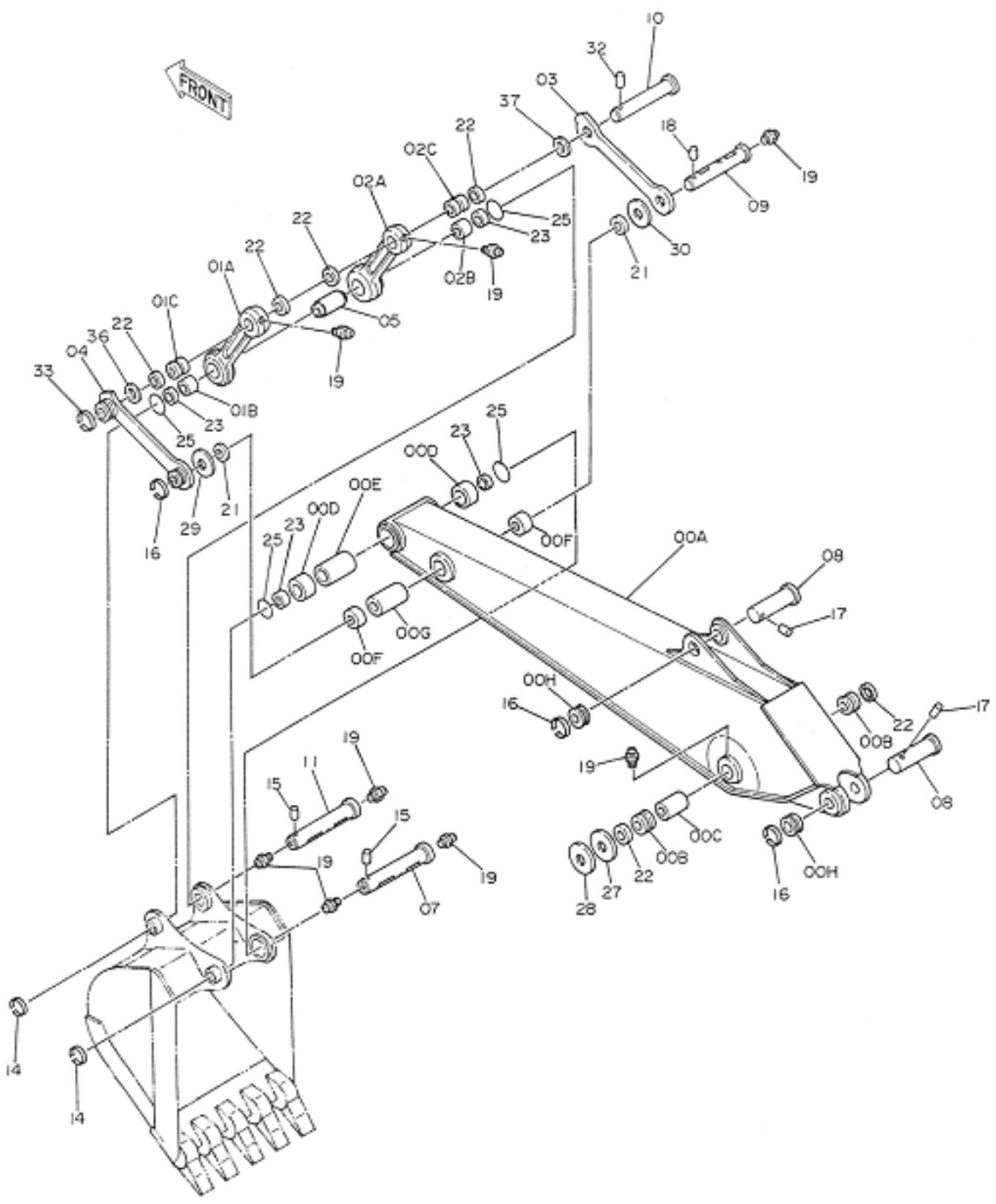
HOSES

Other Parts Books

ITEM	PART NO.	PART NAME
	9071490	BUCKET ASS'Y
00	8037597	BUCKET
00A	4188013	ADAPTER;TOOTH
00B	4197035	STOPPER
01	963228	POINT;TOOTH
02	963229	PIN
03	4506257	RUBBER;LOCK
04	2015428	CUTTER;SIDE
05	2015429	CUTTER;SIDE
06	J932050	BOLT
07	J951020	NUT
08	A590920	WASHER;SPRING
09	4124030	SPACER
10	4124032	SHIM 1.0
11	4124033	SHIM 0.5
12	4143813	PLATE
13	J901650	BOLT
14	A590916	WASHER;SPRING
15	4179110	PIN;KNOCK
100	9075345	KIT;POINT

[Home Page](#)

Bucket Pins



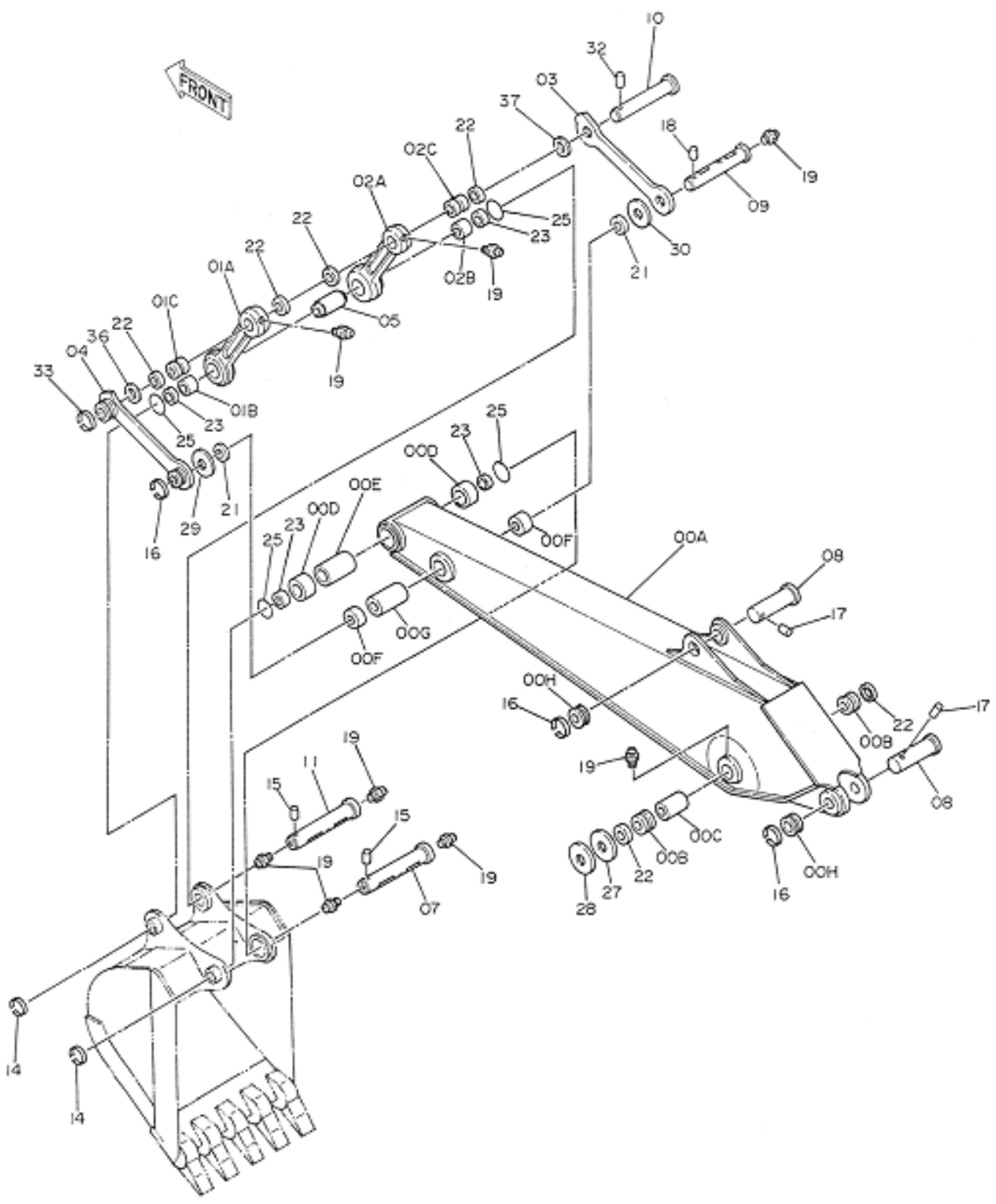
ITEM	PART NO.	PART NAME
00A-H	7017823	ARM ASS'Y

00A	5001994	ARM
00B	3037286	BUSHING
00C	4163454	SPACER
00D	4196105	BUSHING
00E	4123815	SPACER
00F	4197536	BUSHING
00F	4196558	BUSHING
00G	4163453	SPACER
00H	4197033	STOPPER
01A-C	9726946	LINK(WITH BUSHING)
01A	2023804	LINK
01B	4196107	BUSHING
01C	3037287	BUSHING
02A-C	9726994	LINK (WITH BUSHING)
02A	2023845	LINK
02B	4067985	BUSHING
02C	3037287	BUSHING
03	3037284	LINK
04	8037455	LINK
05	4154425	SPACER
07	3041200	PIN
08	3037282	PIN
09	3037281	PIN
10	3037280	PIN
11	3041201	PIN
14	4098712	RING
15	4098713	PIN
16	4065688	RING
17	4065689	PIN
18	4107899	PIN
19	J75481	FITTING
21	4065687	SEAL;DUST
22	4084578	SEAL;DUST
23	4067902	O-RING
27	4163456	SHIM 1.2
28	4163457	SHIM 2.3
29	4075359	WASHER

30	4075360	WASHER
32	4106307	PIN
33	4098716	RING
36	4097354	SHIM 1.2
37	4097355	SHIM 2.3

[Home Page](#)

Bucket Linkages



ITEM	PART NO.	PART NAME
ITEM	PART NO.	PART NAME

Hitachi Ex1501 Part CatalogueFull download: <http://manualplace.com/download/hitachi-ex1501-part-catalogue/>

00A-H	7017823	ARM ASS'Y
00A	5001994	ARM
00B	3037286	BUSHING
00C	4163454	SPACER
00D	4196105	BUSHING
00E	4123815	SPACER
00F	4197536	BUSHING
00F	4196558	BUSHING
00G	4163453	SPACER
00H	4197033	STOPPER
01A-C	9726946	LINK(WITH BUSHING)
01A	2023804	LINK
01B	4196107	BUSHING
01C	3037287	BUSHING
02A-C	9726994	LINK (WITH BUSHING)
02A	2023845	LINK
02B	4067985	BUSHING
02C	3037287	BUSHING
03	3037284	LINK
04	8037455	LINK
05	4154425	SPACER
07	3041200	PIN
08	3037282	PIN
09	3037281	PIN
10	3037280	PIN
11	3041201	PIN
14	4098712	RING
15	4098713	PIN
16	4065688	RING
17	4065689	PIN
18	4107899	PIN
19	J75481	FITTING
21	4065687	SEAL;DUST
22	4084578	SEAL;DUST
23	4067902	O-RING
27	4163456	SHIM 1.2
28	4163457	SHIM 2.3