



A TEREX BRAND

Parts Manual

Serial Number Range

GS-4047

From SN GS4712C-101

Part No. 237966

Rev A

May 2012

Technical Publications

Genie has endeavored to deliver the highest degree of accuracy possible. However, continuous improvement of our products is a Genie policy. Therefore, product specifications are subject to change without notice.

Readers are encouraged to notify Genie of errors and send in suggestions for improvement. All communications will be carefully considered for future printings of this and all other manuals.

Contact Us:


<http://www.genielift.com>

e-mail: awp.techpub@terex.com

Copyright © 2012 by Terex Corporation

237966 Rev A April 2012
First Edition, First Printing

Genie and "GS" are registered trademarks of Terex South Dakota, Inc. in the USA and many other countries.

 Printed on recycled paper



A TEREX COMPANY

A TEREX BRAND

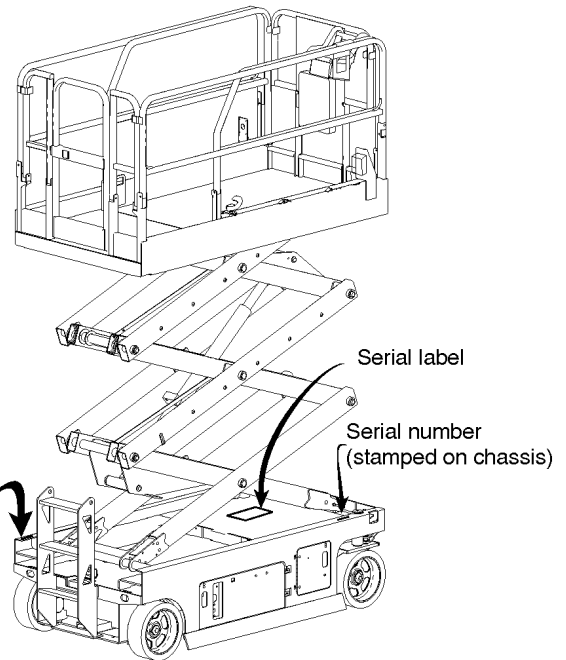
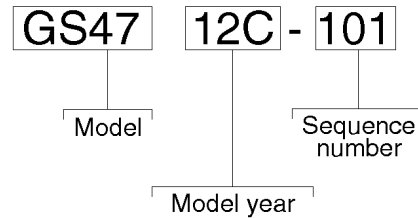
Model: GS-4047
Serial number: GS4712C-101
Model year: 2012 **Manufacture date:** 4/15/12
Electrical schematic number: ESO535
Machine unladen weight: 7,100 lb / 3221 kg

Rated work load (including occupants): 770 lb / 350 kg
Maximum number of platform occupants: 3
Maximum allowable side force : 90 lb / 400 N
Maximum allowable inclination of the chassis:
1.5 deg side to side, 3 deg front to back
Maximum wind speed : 0 mph/ 0 m/s
Maximum platform height : 39 ft/ 11.9 m
Maximum platform reach : N/A
Gradeability: 25% / 14 deg
Country of manufacture: USA
This machine complies with:
EC Directive

Terex South Dakota, Inc.
18340 NE 76th Street
Redmond, WA 98052
USA



A TEREX BRAND



A TEREX BRAND

Table of Contents

This manual is updated frequently. If you have a printed manual, you can keep it up to date by downloading new figures from the Genie website at www.genielift.com. For the most up-to-date parts information, visit the Parts Lookup System on the Genie website at www.genielift.com.

How to Read Your Serial Number.....	3
Parts Stocking List.....	7
How to Order Parts.....	8
Service Parts Fax Order Form.....	9

Electronic Version

Click on any page number to view the figure.

100 Decals

101.1 Symbol Decals, GS-4047, CE.....	10
102.1 Symbol Decals, GS-4047, Ground Control Side, CE..	12
103.1 Symbol Decals, GS-4047, Platform, CE.....	14

200 Drive Chassis Components

201.1 Steer Linkage and Wheels.....	16
202.1 Non-Steer Axle Installation.....	18
203.1 Level Sensor Installation.....	20
204.1 Pot Hole Protection Assembly.....	22
205.1 Battery Pack Tray.....	24
206.1 Battery Charger.....	26
207.1 Power Unit Module.....	28
208.1 Ground Controls.....	30
209.1 Electrical Wiring.....	32
210.1 Power Cables.....	34
211.1 Accumulator, Lift Pressure Select and Function Manifolds.....	36

300 Scissor Components

301.1 Scissor Assy Installation.....	38
302.1 Scissor Assembly.....	40
303.1 Scissor Assembly, Hose Clamps.....	42

400 Platform Components

401.1 Platform Components.....	44
402.1 Power to Platform.....	48
403.1 Platform Controls.....	50
404.1 Joystick Controller.....	52

500 Hydraulic Components

501.1 Hydraulic Components.....	54
---------------------------------	----

502.1 Function Manifold.....	56
503.1 Brake Release Hand Pump Manifold.....	58
504.1 Hydraulic Power Unit.....	60
505.1 Lift Cylinder Assemblies.....	62
506.1 Hydraulic Hoses and Fittings.....	64

600 Accessories

601.1 Alarm, Horn and Flashing Beacons.....	66
602.1 Air Line to Platform.....	68

700 Platform Overload Components

710.1 Platform Overload.....	70
------------------------------	----

Indices

Part Number Index.....	72
Part Description Index.....	74

Cross References

Fittings Cross Reference.....	78
-------------------------------	----

This Page Intentionally Left Blank

Required Parts

The following parts are required to perform maintenance procedures as outlined in the Genie GS-47 Service Manual.

Description	Part No.
Filter Element, 10 Micron.....	44788
Dielectric Grease.....	66399
Chevron Ultra-duty Grease (Lithium) or equivalent, EP NLGI 1.....(source locally)	
Breather Cap, Hydraulic Tank.....	78546
Cotter Pin, Castle Nut, Steer-end Wheels.....	13635-10
Cotter Pin, Castle Nut, Non-steer end Wheels.....	42079

Recommended Parts

Description	Part No.
Genie Blue Paint, 1 Gallon	32150
Genie Blue Paint, 12 Ounce Aerosol.....	1484
Genie Gray Paint, 1 Gallon.....	32151
Genie Gray Paint, 12 Ounce Aerosol	1268

Manuals

Genie Industries offers the following support documents for these models:

Genie GS-4047 Operator's Manual, 7th Edition, CE Models (from serial number GS4712C-101).....	T107027
Genie GS-4047 Operator's Manual, 7rd Edition, Australia Models (from serial number GS4712C-101).....	T107028
Genie GS-30, GS-32, GS-46 and GS-47 Service Manual, Rev B.....	228901
EMI Safety Manual.....	27581
Manual of Responsibilities ANSI A92.6.....	44163

How To Order Parts

How To Order Parts

Please be prepared with the following information when ordering replacement parts for your Terex or Genie product:

- Machine model number
- Machine serial number
- Part number
- Part description and quantity
- Purchase order number
- "Ship to" address
- Desired method of shipment
- Name and telephone number of the authorized distributor in your area

Use the Service Parts Fax Order Form on the next page and fax your order to our Parts Department.

If you don't know the name of your authorized distributor, or if your area is not currently serviced by an authorized distributor, please call Terex or Genie Industries.

North America

Telephone (425) 556-6551
 Toll Free (877) 367-5606 in U.S.A. and Canada
 Fax (425) 556-8659
 Toll Free Fax (888) 274-6192

Europe

Parts Telephone (31) (165) 519 313
 Parts Fax (31) (165) 511 148

Australia

Parts Telephone (61) (7) 3456 4444
 Parts Fax (61) (7) 3456 4466

South America

Parts Telephone (55) (11) 4082 5600
 Parts Fax (55) (11) 4082 5630

Machine Information

Model

Serial Number

Date of Purchase

Authorized Genie Distributor

Phone Number