



A TEREX BRAND

Parts Manual

Serial Number Range

GS-2669RT

from SN GS6911-101

GS-3369RT

GS-4069RT

Part No. 229832

Rev A3

April 2012

Technical Publications

Genie has endeavored to deliver the highest degree of accuracy possible. However, continuous improvement of our products is a Genie policy. Therefore, product specifications are subject to change without notice.

Readers are encouraged to notify Genie of errors and send in suggestions for improvement. All communications will be carefully considered for future printings of this and all other manuals.

Contact Us:


Internet: www.genielift.com

E-mail: awp.techpub@terex.com

Copyright © 2011 by Terex Corporation

229832 Rev A September 2011
First Edition, First Printing

Genie and "GS" are registered trademarks of Terex South Dakota, Inc. in the USA and many other countries.

 Printed on recycled paper



Model: GS-3369
Serial number: GS6911-500
Model year: 2008 **Manufacture date:** 08/10/11
Electrical schematic number: ES0141
Machine unladen weight: 2,714 lb / 1,231 kg

Rated work load (including occupants): 500 lb / 227 kg

Maximum allowable inclination of the chassis:

N/A

Gradeability: N/A

Maximum allowable side force : 100 lb / 445 N

Maximum number of platform occupants: 2

Country of manufacture: USA

This machine complies with:

ANSI A92.6
B354.2

Terex South Dakota, Inc.

500 Oak Wood Road

PO Box 1150

Watertown SD US 57201

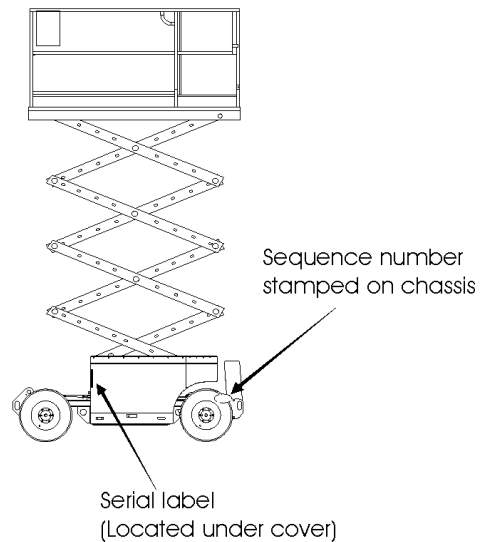
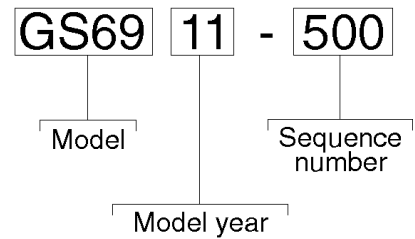


Table of Contents

This manual is updated frequently. If you have a printed manual, you can keep it up to date by downloading new figures from the Genie website at www.genielift.com. For the most up-to-date parts information, visit the Parts Lookup System on the Genie website at www.genielift.com.

How to Read Your Serial Number.....	3
Parts Stocking List.....	7
How to Order Parts.....	8
Service Parts Fax Order Form.....	9

Electronic Version

Click on any page number to view the figure.

100 Decals

101.1 Decals with Words, GS-2669, Engine Side.....	10
102.1 Decals with Words, GS-2669, Controls Side.....	12
103.1 Decals with Words, GS-2669 Platform, ANSI & CSA.....	14
104.1 Decals with Words, GS-2669 Platform, Australia.....	16
105.1 Decals with Symbols, GS-2669, Engine Side.....	18
106.1 Decals with Symbols, GS-2669, Controls Side.....	20
107.1 Decals with Symbols, GS-2669 Platform, Asia & South America.....	22
108.1 Decals with Symbols, GS-2669 Platform, CE.....	24
109.1 Decals with Words, GS-3369, Engine Side.....	26
110.1 Decals with Words, GS-3369, Controls Side.....	28
111.1 Decals with Words, GS-3369 Platform, ANSI & CSA.....	30
112.1 Decals with Words, GS-3369 Platform, Australia.....	32
113.1 Decals with Symbols, GS-3369, Engine Side.....	34
114.1 Decals with Symbols, GS-3369, Controls Side.....	36
115.1 Decals with Symbols, GS-3369 Platform, Asia & South America.....	38
116.1 Decals with Symbols, GS-3369 Platform, CE.....	40
117.1 Decals with Words, GS-4069, Engine Side.....	42
118.1 Decals with Words, GS-4069, Controls Side.....	44
119.1 Decals with Words, GS-4069 Platform, ANSI & CSA.....	46
120.1 Decals with Words, GS-4069 Platform, Australia.....	48
121.1 Decals with Symbols, GS-4069, Engine Side.....	50
122.1 Decals with Symbols, GS-4069, Controls Side.....	52
123.1 Decals with Symbols, GS-4069 Platform, Asia & South America.....	54
124.1 Decals with Symbols, GS-4069 Platform, CE.....	56

200 Drive Chassis Components

201.1 Steer Axle Linkage, Wheels and Drive Motors.....	58
202.1 Steer Axle Linkage, Oscillation.....	60
203.1 Non-Steer Axle and Drive Motors.....	62
204.1 Ladder and Counterweight.....	64
205.1 Drive Chassis, Safety Components.....	66

300 Engine Components

301.1 Kubota WG-972 Engine, View 1.....	68
302.1 Kubota WG-972 Engine, View 2.....	70
303.1 Kubota WG-972 Engine, View 3.....	74
304.1 Kubota WG-972 Engine, View 4.....	76
305.1 Kubota D-1105 Engine, View 1.....	78
306.1 Kubota D-1105 Engine, View 2.....	80
307.1 Kubota D-1105 Engine, View 3.....	82
308.1 Kubota D-1105 Engine, View 4.....	84
309.1 Perkins 403D-11 Engine, View 1.....	86
310.1 Perkins 403D-11 Engine, View 2.....	90

400 Chassis Tray Components

401.1 Engine Tray Components, View 1.....	92
402.1 Engine Tray Components, View 2.....	94
403.1 Hydraulic Tank And Ground Controls Installation.....	96
404.1 Hydraulic Tray Components.....	98
405.1 Ground Controls.....	100
406.1 LPG Tank Installation.....	102
407.1 Chassis Cover Installation.....	104
408.1 Electrical Wiring and Power Cables.....	106

500 Scissor Components

501.1 Scissor Components, GS-2669 RT.....	108
502.1 Scissor Components, GS-3369 RT, View 1.....	110
503.1 Scissor Components, GS-3369 RT, View 2.....	112
504.1 Scissor Components, GS-4069 RT, View 1.....	114
505.1 Scissor Components, GS-4069 RT, View 2.....	116

600 Platform Components

601.1 Platform Installation, GS-2669 RT, View 1.....	118
602.1 Platform Installation, GS-3369 RT and GS-4069 RT, View 2.....	120
603.1 Platform Railing Installation.....	122
604.1 Platform Entry Gate.....	124
605.1 Platform Extension.....	126
606.1 Platform Extension Deck Lock.....	128
607.1 Power to Platform.....	130
608.1 Platform Controls.....	132
609.1 Platform Controls Joystick.....	134

700 Hydraulic Components

701.1 Function Manifold.....	136
702.1 Traction Manifold, View 1.....	140
703.1 Traction Manifold, View 2.....	142
704.1 Oscillate Cylinders, All Models.....	144
705.1 Lift Cylinders.....	146
706.1 Hydraulic Hoses and Fittings, Lift Cylinder, GS-4069 RT.....	148
707.1 Hydraulic Hoses and Fittings, View 1.....	150
708.1 Hydraulic Hoses and Fittings, View 2.....	152

800 Accessories

801.1 Flashing and Motion Beacon.....	154
802.1 Generator Installation.....	156
803.1 Generator.....	158
804.1 Hydraulic Hoses and Fittings, Generator.....	160
805.1 Oil Cooler.....	162
806.1 Hydraulic Hoses and Fittings, Oil Cooler.....	164
807.1 Cold Start Installation.....	166
808.1 Outrigger Installation, View 1.....	168
809.1 Outrigger Installation, View 2.....	170
810.1 Outrigger Manifold.....	172
811.1 Outrigger Cylinders, All Models.....	174
812.1 Hydraulic Hoses and Fittings, Outrigger.....	176
813.1 Air to Platform.....	178
814.1 Link Guard, CE and Australia.....	180

Indices

Part Number Index.....	182
Part Description Index.....	187

Cross References

Fittings Cross Reference.....	194
-------------------------------	-----

Required Parts

The following parts are required to perform maintenance procedures as outlined in the *Genie GS-69 RT Service Manual*.

Perkins 403D-11 Models:

Description	Part No.
Plug and Cap Kit (for ORFS fittings).....	49613
Dielectric Grease.....	66399
Hydraulic Filter.....	60857
Hydraulic Tank Cap (models w/opt. hyd fluid).....	131658
Air Filter Element.....	52867
Fuel/water Separator Element.....	42767
Fuel Filter.....	62421
Engine Oil Filter.....	94762
V-belt.....	85071
Manual, Workshop,403D.....	131662
Manual, Operators, Perkins 403D.....	131661

Kubota D1105 Models:

Description	Part No.
Plug and Cap Kit (for ORFS fittings).....	49613
Dielectric Grease.....	66399
Hydraulic Filter.....	60857
Hydraulic Tank Cap (models w/opt. hyd fluid).....	131658
Air Filter Element.....	236095
Fuel/water Separator Element.....	62433
Fuel Filter.....	62433
Engine Oil Filter.....	139282
V-belt.....	89765
Manual, Workshop, D1105.....	229761
Manual, Operators, Kubota Diesel.....	131379

Kubota WG-972-E2 Models:

Description	Part No.
Plug and Cap Kit (for ORFS fittings).....	49613
Dielectric Grease.....	66399
Hydraulic Filter.....	60857
Hydraulic Tank Cap (models w/opt. hyd fluid).....	131658
Manual, Workshop, WG-972-E2.....	234802
Manual, Operators, WG-972-E2.....	234803
Air Filter.....	104710
Fuel Filter.....	23168
Engine Oil Filter.....	22106
V-belt.....	52816
Spark Plug (Qty. 3).....	139203
Plug Wires (Qty. 1 each).....	139204, 5 & 6
Gasoline Hose (Qty 1 each).....	233945, 6 & 7
LPG Hose (Qty. 1 each).....	104086, 74514
Radiator Hose (Qty. 1 each).....	139213, 139212
Radiator Hose Clamp (Qty. 2 each).....	235527, 235528
Air Intake Hose.....	139483
Air Intake Hose Clamp (Qty. 1 each).....	35434, 32084

Recommended Parts

Description	Part No.
Genie Blue Paint, 1 Gallon.....	32150
Genie Blue Paint, 12 Ounce Aerosol.....	1484
Genie Gray Paint, 1 Gallon.....	32151
Genie Gray Paint, 12 Ounce Aerosol.....	1268

Manuals

Genie Industries offers the following support documents for these models:

Title	Part No.
Genie GS-69 RT Operator's Manual, ANSI/CSA models.....	229831
Genie GS-69 RT Operator's Manual, CE models.....	230495
Genie GS-69 RT Operator's Manual, Australia models.....	230496
Genie GS-69 RT Service Manual.....	229753
EMI Safety Manual.....	27581
Manual of Responsibilities ANSI A92.6.....	44163

How To Order Parts

Please be prepared with the following information when ordering replacement parts for your Terex or Genie product:

- Machine model number
- Machine serial number
- Part number
- Part description and quantity
- Purchase order number
- "Ship to" address
- Desired method of shipment
- Name and telephone number of the authorized distributor in your area

Use the Service Parts Fax Order Form on the next page and fax your order to our Parts Department.

If you don't know the name of your authorized distributor, or if your area is not currently serviced by an authorized distributor, please call Terex or Genie Industries.

Machine Information

Model

Serial Number

Date of Purchase

Authorized Genie Distributor

Phone Number

North America

Telephone (425) 556-6551
 Toll Free (877) 367-5606 in U.S.A. and Canada
 Fax (425) 556-8659
 Toll Free Fax (888) 274-6192

Europe

Parts Telephone (31) (165) 519 313
 Parts Fax (31) (165) 511 148

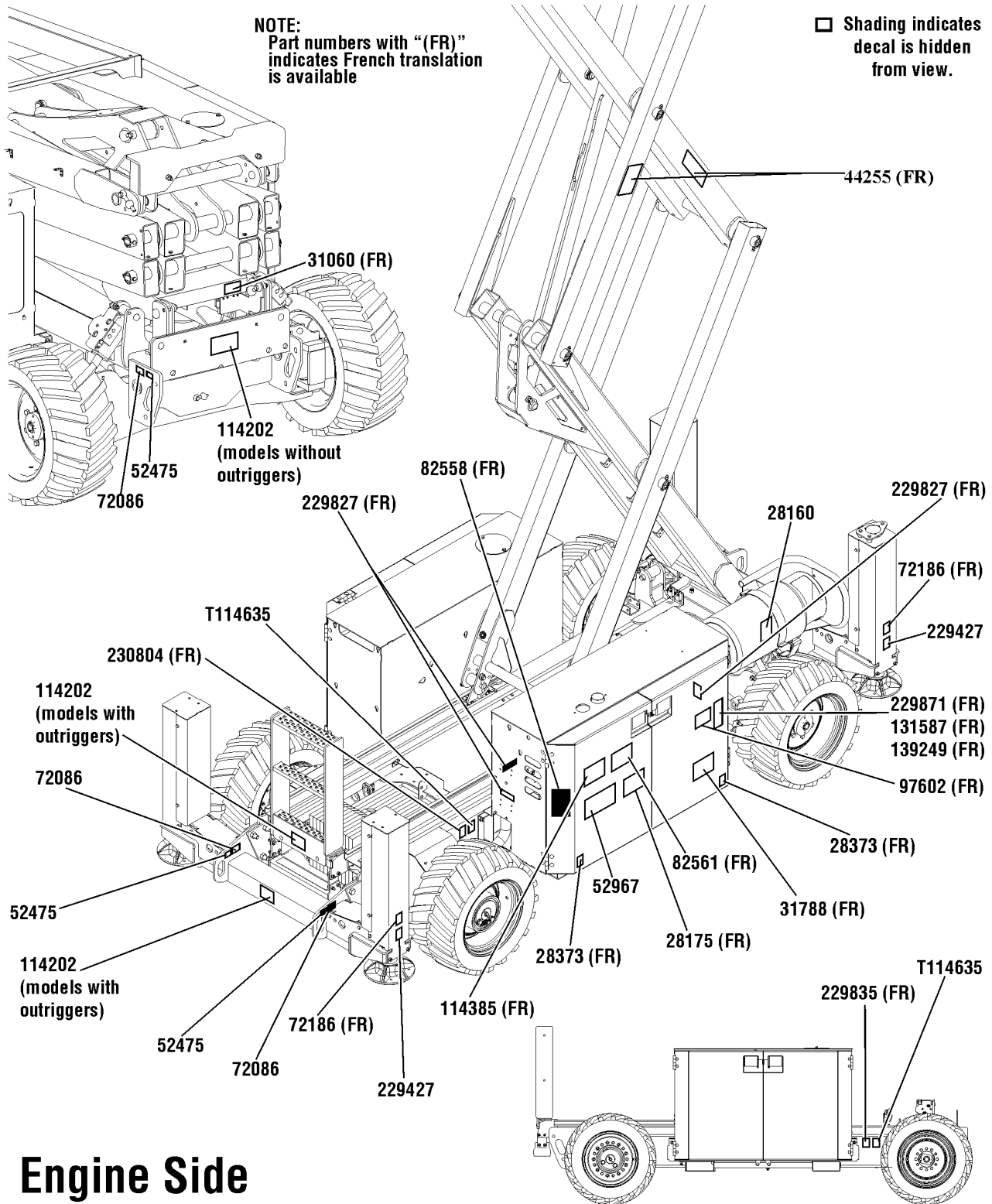
Australia

Parts Telephone (61) (7) 3456 4444
 Parts Fax (61) (7) 3456 4466

South America

Parts Telephone (55) (11) 4082 5600
 Parts Fax (55) (11) 4082 5630

101.1 Decals with Words, GS-2669, Engine Side



101.1 Decals with Words, GS-2669, Engine Side

Item	Part No.	Description	Qty.	Item	Part No.	Description	Qty.
--	233039	DECAL KIT, 2669 COMP,WRD,ANSI <i>(Decal kit, complete for ANSI models only)</i>		21	229871	DECAL,NOTICE,KUBOTA GAS SPECS.....	1
--	233044	DECAL KIT, 2669 COMP,WRD,AUS <i>(Decal kit, complete for AUS models only)</i>		22	230804	DECAL,NOTICE,TIRE SPECS, REAR..... <i>(non-steer end)</i>	1
--	233047	DECAL KIT, 2669 PLAT,WRD,ANSI <i>(Decal kit, platform for ANSI models only)</i>		23	T114635	DECAL,LABEL,WHEEL LD,GS2669RT.....	2
--	233800	DECAL KIT, 2669 PLAT,WRD,AUS <i>(Decal kit, platform for AUS models only)</i>					
1	28160	DECAL,LABEL,LIQUID PROPANE.....	1				
2	28175	DECAL,WARNING-COMPART ACCESS.....	1				
3	28373	DECAL,FORK LIFT POCKET.....	2				
4	31060	DECAL,DANGER DO NOT ALTER SWTC.....	1				
5	31788	DECAL,DANGER,BATTERY SAFETY***.....	1				
6	44255	DECAL,DANGER,CRUSHING HAZARD.....	2				
7	52475	DECAL,LABEL,TRANSPORT TIEDOWN*.....	2				
8	52967	DECAL,COSMETIC,4 X 4.....	1				
9	72086	DECAL,LABEL,LIFTING EYE.....	2				
10	72186	DECAL,WARNING,CRUSHING HAZARD.....	2				
11	82558	DECAL,WARN,SKIN INJECTION HAZ*.....	1				
12	82561	DECAL,DANGER-USE SAFETY ARM.....	1				
13	97602	DECAL,WARNING,EXPLOSION,ETHER.	1				
14	114202	DECAL,LABEL,TRANSPORT TIE 68.....	1				
15	114385	DECAL,DANGER,ELEC HAZARD,GS.....	1				
16	131587	DECAL,NOTICE,KUB,D1105,T4.....	1				
17	139249	DECAL,NOTICE,PERKINS 403D SPEC.....	1				
18	229427	DECAL,LABEL,OUTRIGGER LD.....	2				
19	229827	DECAL,WARNING,HOT SURFACE.....	3				
20	229835	DECAL,NOTICE,TIRE SPECS..... <i>(steer end)</i>	1				

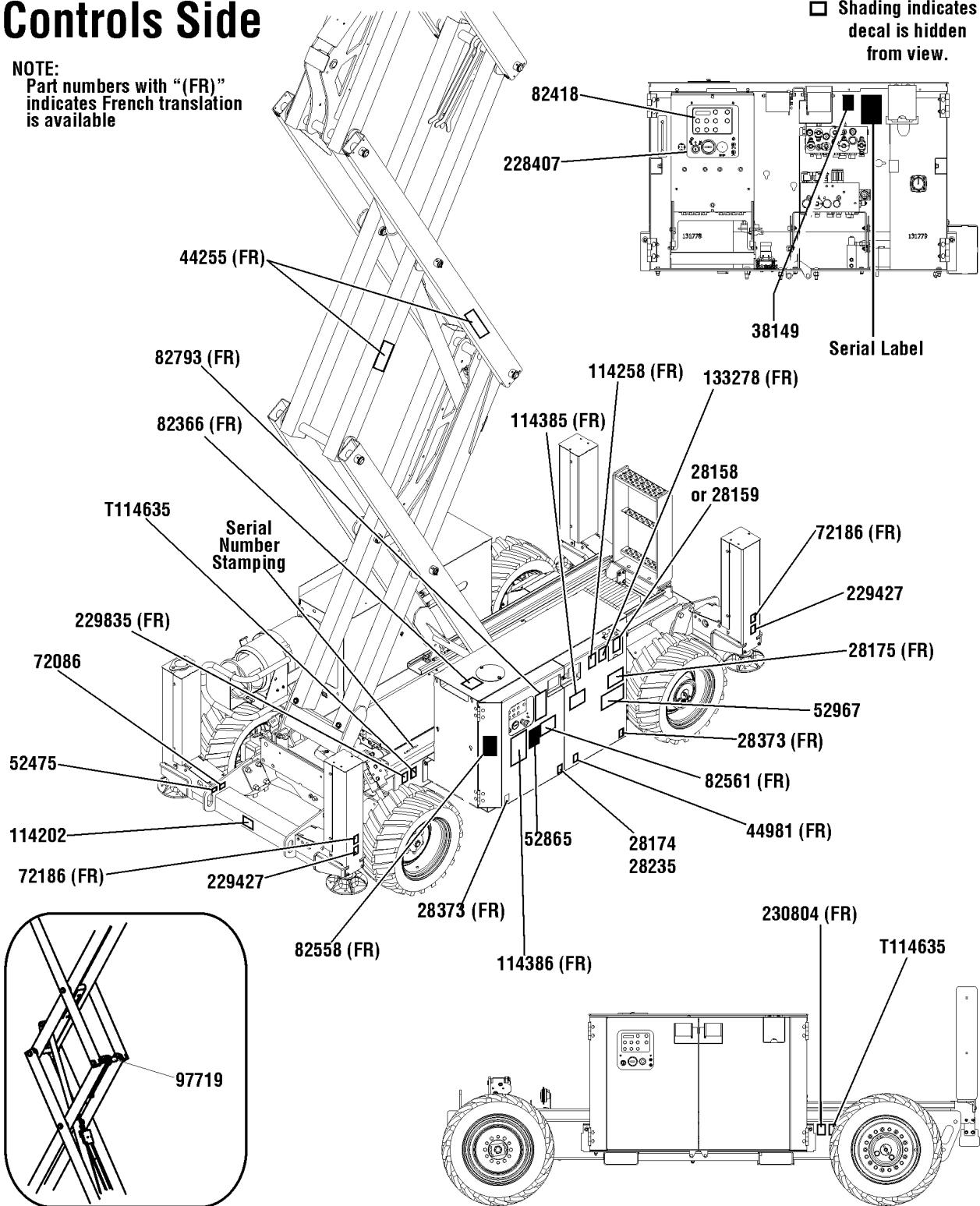


102.1 Decals with Words, GS-2669, Controls Side

Controls Side

NOTE:
Part numbers with "(FR)" indicates French translation is available

☐ Shading indicates decal is hidden from view.



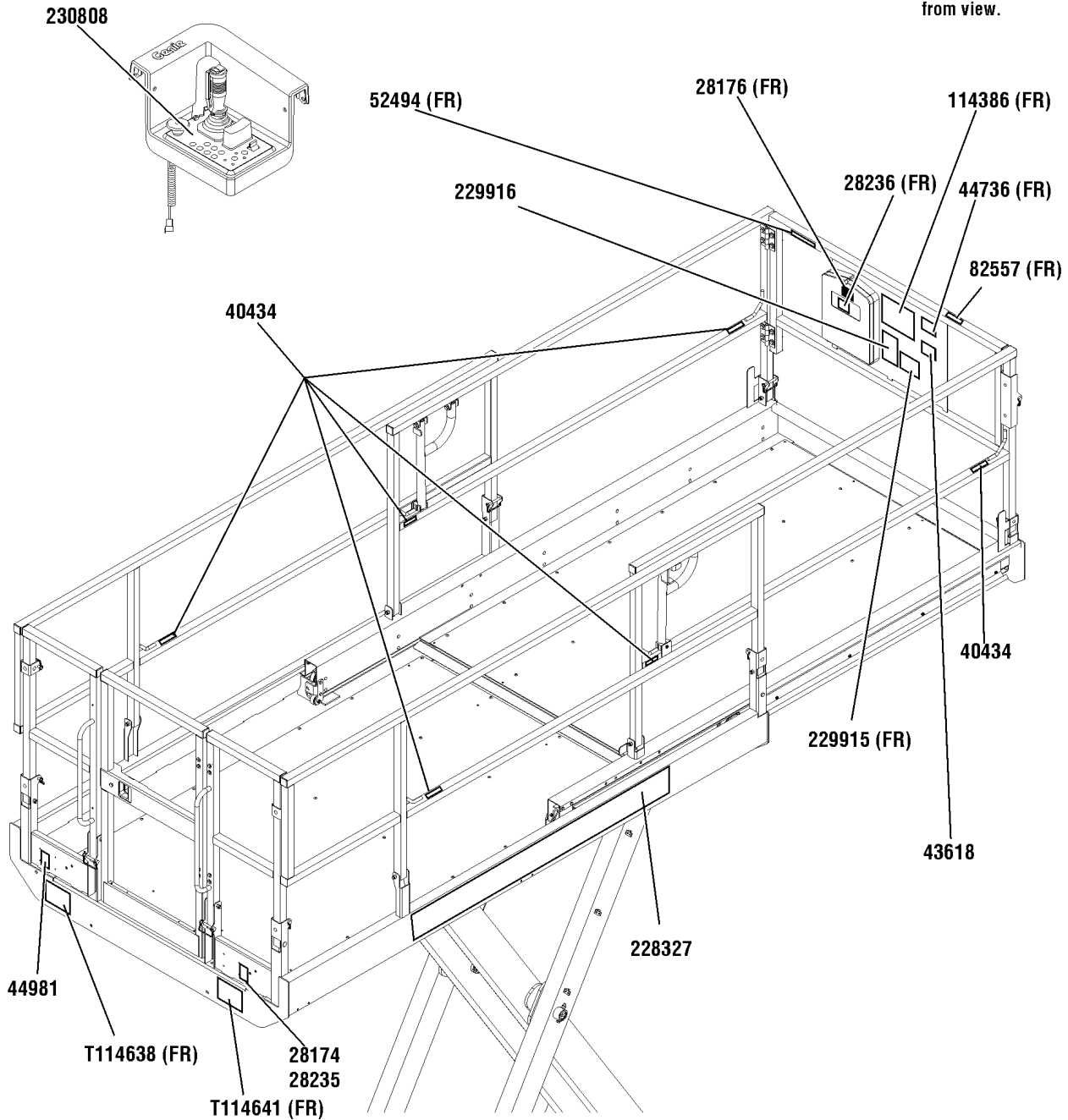
102.1 Decals with Words, GS-2669, Controls Side

Item	Part No.	Description	Qty.	Item	Part No.	Description	Qty.
--		Ref. Word Decal Kits <i>(refer to 101.1)</i>		26	228407	DECAL,GROUND CONTROL PANEL.....	1
1	28158	DECAL,LABEL,UNLEADED GAS ONLY.....	1	27	229427	DECAL,LABEL,OUTRIGGER LD.....	2
2	28159	DECAL,LABEL,DIESEL FUEL.....	1	28	229835	DECAL,NOTICE,TIRE SPECS..... <i>(steer end)</i>	1
3	28174	DECAL,POWER TO PLATFORM 230V.....	1	29	230804	DECAL,NOTICE,TIRE SPECS, REAR.....	1
4	28175	DECAL,WARNING-COMPART ACCESS.....	1	30	T114635	DECAL,LABEL,WHEEL LD,GS2669RT.....	2
5	28235	DECAL,POWER TO PLATFORM 115V.....	1				
6	28373	DECAL,FORK LIFT POCKET.....	2				
7	38149	DECAL,LABEL,PATENTS..... <i>(US only)</i>	1				
8	44255	DECAL,DANGER,CRUSHING HAZARD.....	2				
9	44981	DECAL,LABEL,AIRLINE 110 PSI.....	1				
10	52475	DECAL,LABEL,TRANSPORT TIEDOWN*.....	2				
11	52865	DECAL,ANNUAL INSP***.....	1				
12	52967	DECAL,COSMETIC,4 X 4.....	1				
13	72086	DECAL,LABEL,LIFTING EYE.....	2				
14	72186	DECAL,WARNING,CRUSHING HAZARD.....	2				
15	82366	DECAL,LABEL-CHEVRON RANDO.....	1				
16	82418	DECAL,GROUND CONTROL PANEL.....	1				
17	82558	DECAL,WARN,SKIN INJECTION HAZ*.....	1				
18	82561	DECAL,DANGER-USE SAFETY ARM.....	1				
19	82793	DECAL,NOTICE,OP INST,GROUND.....	1				
20	97719	DECAL, LABEL, SAFETY ARM SYMB.....	1				
21	114202	DECAL,LABEL,TRANSPORT TIE 68.....	1				
22	114258	DECAL,DANGER,NO SMOKING.....	1				
23	114385	DECAL,DANGER,ELEC HAZARD,GS.....	1				
24	114386	DECAL,DANGER-GEN SAFETY.....	1				
25	133278	DECAL,LOW/ULTRA LOW SULFR FUEL..... <i>(diesel models only)</i>	1				



Platform, ANSI/CSA models

☐ Shading indicates decal is hidden from view.



NOTE:
Part numbers with "(FR)" indicates French translation is available

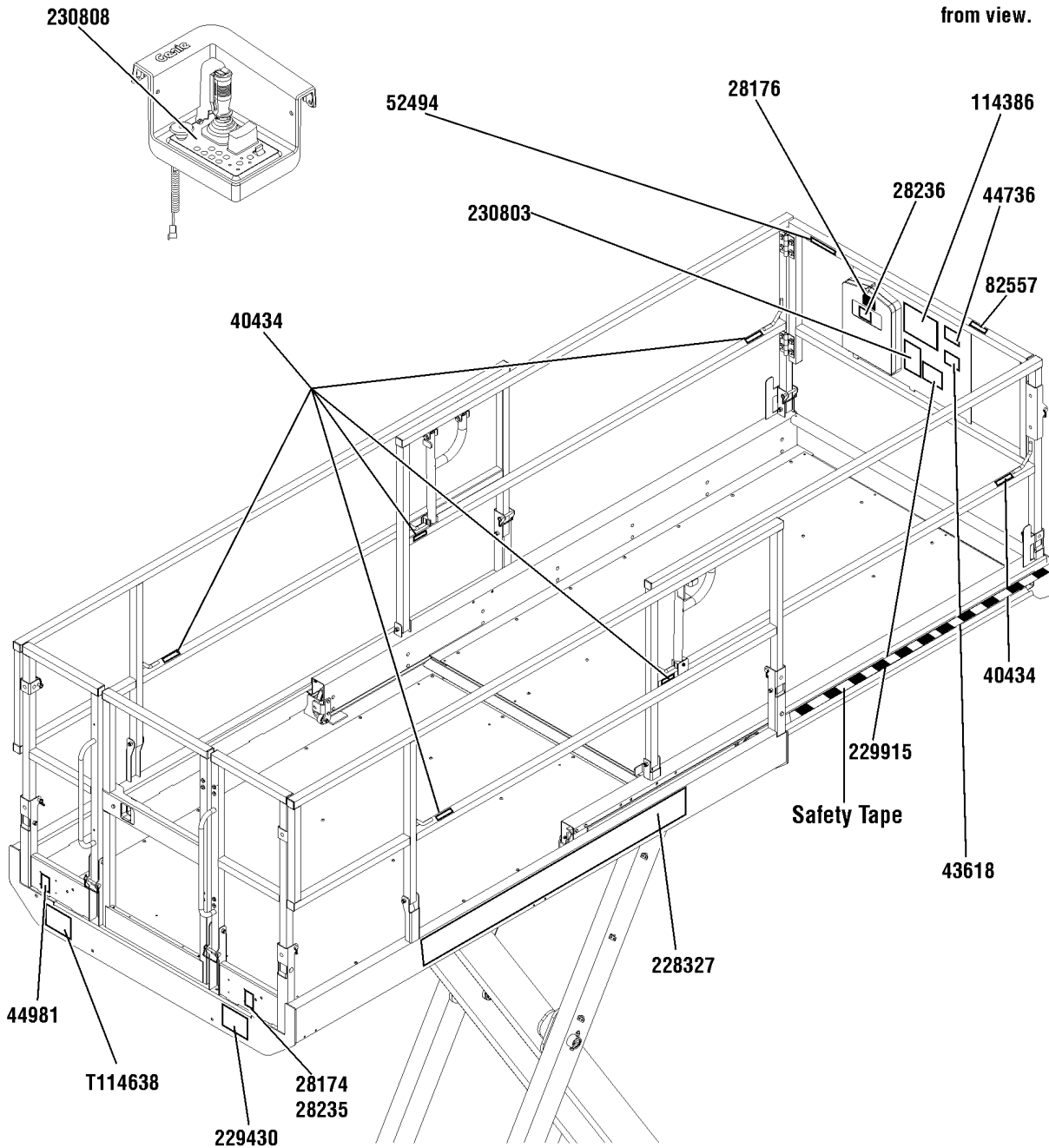
103.1 Decals with Words, GS-2669 Platform, ANSI & CSA

Item	Part No.	Description	Qty.
--		Ref. Word Decal Kits <i>(refer to 101.1)</i>	
1	28174	DECAL,POWER TO PLATFORM 230V.....	1
2	28176	DECAL,LABEL,MANUAL NOT HERE.....	1
3	28235	DECAL,POWER TO PLATFORM 115V.....	1
4	28236	DECAL,WARN,IMPROPER OPERATION.....	1
5	40434	DECAL,LANYARD ANCHORAGE POINT.....	6
6	43618	DECAL,LABEL-DIRECTION ARROWS.....	1
7	44736	DECAL,DANGER,TIP-OVER,TILT....	1
8	44981	DECAL,LABEL,AIRLINE 110 PSI....	1
9	52494	DECAL,CAUTION,CRUSH HAZ, RAILS.....	1
10	82557	DECAL,LABEL,PLAT CONT LOCATION.....	1
11	114386	DECAL,DANGER-GEN SAFETY....	1
12	228327	DECAL,COSMETIC,GENIE GS-2669RT.....	2
13	229915	DECAL,DANGER,OUTRIGGER SAFETY.....	1
14	229916	DECAL,NOTICE,INST,PLAT-GS69RT.	1
15	230808	DECAL,PLAT CONTROL PANEL GS69.....	1
16	T114638	DECAL,NOTICE,MAX CAP GS2669..... <i>(ANSI & CSA models only)</i>	1
17	T114641	DECAL,NOTICE,SIDE FRC,2669 ANS..... <i>(ANSI & CSA models only)</i>	1

104.1 Decals with Words, GS-2669 Platform, Australia

Platform, Australia models

☐ Shading indicates decal is hidden from view.

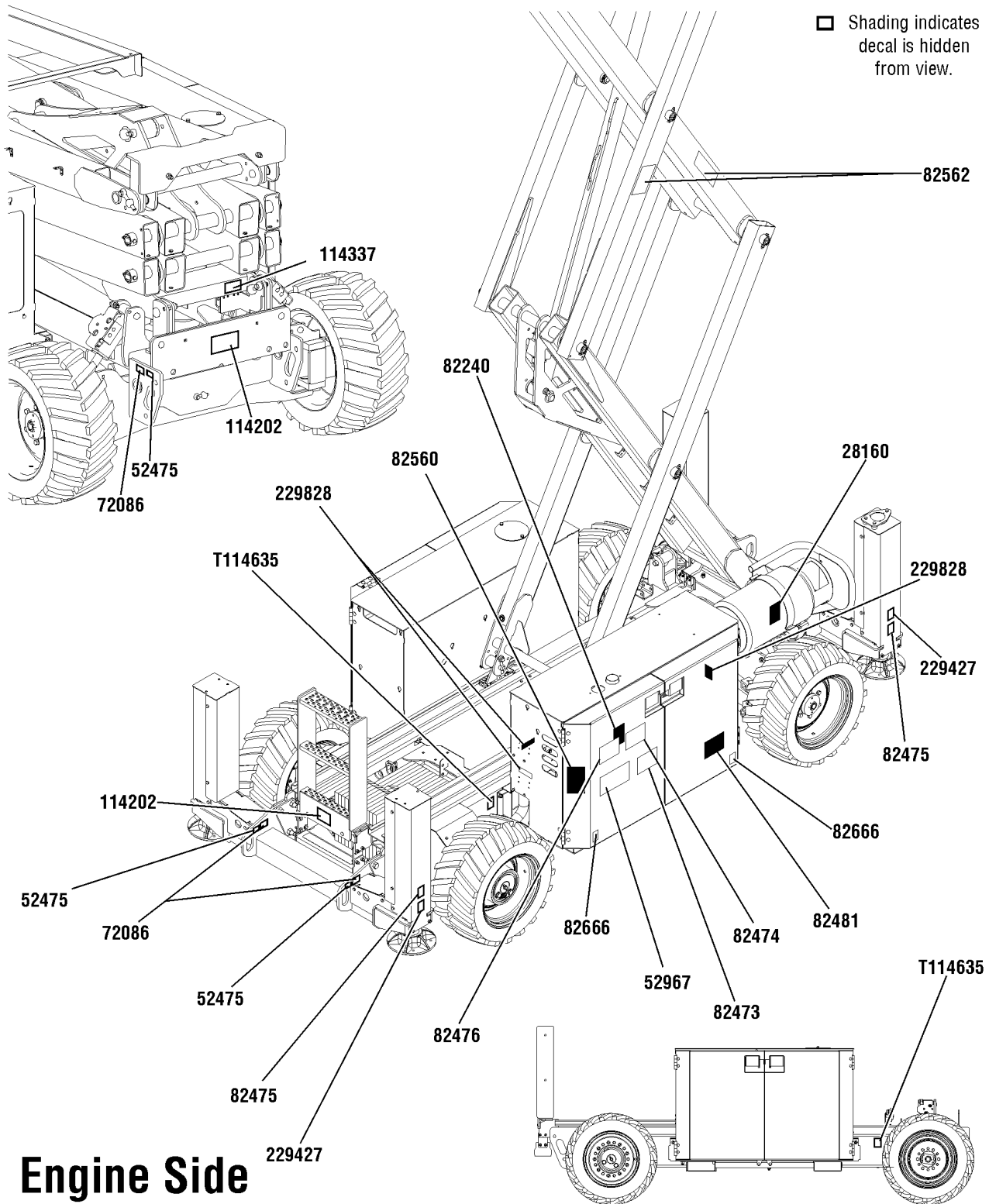


104.1 Decals with Words, GS-2669 Platform, Australia

Item	Part No.	Description	Qty.
--		Ref. Word Decal Kits (refer to 101.1)	
1	28174	DECAL,POWER TO PLATFORM 230V.....	1
2	28176	DECAL,LABEL,MANUAL NOT HERE.....	1
3	28235	DECAL,POWER TO PLATFORM 115V.....	1
4	28236	DECAL,WARN,IMPROPER OPERATION.....	1
5	40434	DECAL,LANYARD ANCHORAGE POINT.....	6
6	43618	DECAL,LABEL-DIRECTION ARROWS.....	1
7	44736	DECAL,DANGER,TIP-OVER,TILT....	1
8	44981	DECAL,LABEL,AIRLINE 110 PSI....	1
9	52494	DECAL,CAUTION,CRUSH HAZ, RAILS.....	1
10	82557	DECAL,LABEL,PLAT CONT LOCATION.....	1
11	114386	DECAL,DANGER-GEN SAFETY....	1
12	228327	DECAL,COSMETIC,GENIE GS-2669RT.....	2
13	229915	DECAL,DANGER,OUTRIGGER SAFETY.....	1
14	230803	DECAL,NOTICE,INST,PLAT-GS69RT.	1
15	230808	DECAL,PLAT CONTROL PANEL GS69.....	1
16	T114638	DECAL,NOTICE,MAX CAP GS2669..... (Australia models only)	1
17	229430	DECAL NOTICE,MAN FRC,2669 AUS..... (Australia models only)	1

105.1 Decals with Symbols, GS-2669, Engine Side

☐ Shading indicates decal is hidden from view.



Engine Side



105.1 Decals with Symbols, GS-2669, Engine Side

Item	Part No.	Description	Qty.
--	233040	DECAL KIT,2669 COMP,SYM,ANSI <i>(Decal kit, complete for ANSI models only)</i>	
--	233956	DECAL KIT,2669 COMP,SYM,CE <i>(Decal kit, complete for CE models only)</i>	
--	233959	DECAL KIT,2669 PLAT,SYM,ANSI <i>(Decal kit, platform for Asia & South America models only)</i>	
--	233962	DECAL KIT,2669 PLAT,SYM,CE <i>(Decal kit, platform for CE models only)</i>	
1	28160	DECAL,LABEL,LIQUID PROPANE.....	1
2	52475	DECAL,LABEL,TRANSPORT TIEDOWN*.....	2
3	52967	DECAL,COSMETIC,4 X 4.....	1
4	72086	DECAL,LABEL,LIFTING EYE.....	2
5	82240	DECAL,LABEL,105 DB..... <i>(CE models only)</i>	1
6	82473	DECAL,SYMBOL-COMP ACCESS.....	1
7	82474	DECAL,SYMBOL-USE SAFETY ARM.....	1
8	82475	DECAL,SYMBOL-FOOT CRUSHING.....	2
9	82476	DECAL,SYMBOL-ELEC HAZARD,GS.....	1
10	82481	DECAL,SYMBOL-BATTERY SAFETY.....	1
11	82560	DECAL,SYMBOL-SKIN INJECT HAZRD.....	1
12	82562	DECAL,SYMBOL-CRUSHING HAZARD.....	2
13	82666	DECAL,LABEL,FORKLIFT POCKET.....	2
14	114202	DECAL,LABEL,TRANSPORT TIE 68.....	1
15	114337	DECAL,SYM-TIP-OVR,LIM SWITCH.....	1
16	229427	DECAL,LABEL,OUTRIGGER LD.....	2
17	229828	DECAL,LABEL,HOT,SYMBOL.....	3
18	T114635	DECAL,LABEL,WHEEL LD,GS2669RT.....	2

106.1 Decals with Symbols, GS-2669, Controls Side

Controls Side

☐ Shading indicates decal is hidden from view.

