



A TEREX BRAND

Parts Manual

Serial Number Range

GS-2032

from SN GS3211A-110000

GS-2632

from SN GS3212C-10000

GS-3232

from SN GS4611A-110000

GS-2046

from SN GS4612C-10000

GS-2646

GS-3246

Part No. 236418

Rev A1

April 2012

Technical Publications

Genie has endeavored to deliver the highest degree of accuracy possible. However, continuous improvement of our products is a Genie policy. Therefore, product specifications are subject to change without notice.

Readers are encouraged to notify Genie of errors and send in suggestions for improvement. All communications will be carefully considered for future printings of this and all other manuals.

Contact Us:

<http://www.genielift.com>
 e-mail: awp.techpub@terex.com

Serial Number Information

Genie Industries offers the following Parts Manuals for these models:

Title	Part No
Genie GS-2032, GS-2632 Parts Manual (to serial number 59999).....	46325
Genie GS-2032, GS-2632 Parts Manual (from serial number 60000 to 75406).....	96315
GS-2032, GS-2632 and GS-3232 Parts Manual (from serial number 75407 to 110000).....	97384
Genie GS-2046, GS-2646 and GS-3246 Parts Manual (to serial number 59999).....	48338
Genie GS-2046, GS-2646 and GS-3246 Parts Manual (from serial number 60000 to 75437).....	96315
Genie GS-2046, GS-2646 and GS-3246 Parts Manual (from serial number 75438 to 110000).....	97384

Copyright © 2011 by Terex Corporation

236418 Rev A December 2011
 Fourth Edition, First Printing

Genie and "GS" are registered trademarks of Terex South Dakota, Inc. in the USA and many other countries.

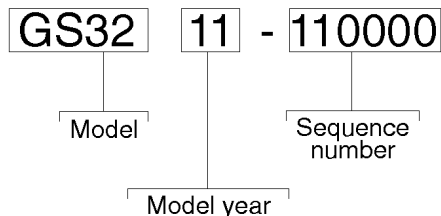
 Printed on recycled paper

Genie
A TEREX COMPANY
A TEREX BRAND

Model: GS-3232
Serial number: GS3211A-110000
Model year: 2011 **Manufacture date:** 10/25/11
Electrical schematic number: ESO141
Machine unladen weight: 5,185 lb / 2333 kg

Rated work load (including occupants): 500 lb / 227 kg
Maximum number of platform occupants: 2
Maximum allowable side force : 100 lb / 447 N
Maximum allowable inclination of the chassis: 0 deg
Maximum wind speed : 28 mph/ 12.5 m/s
Maximum platform height : 32 ft/ 9.8 m
Maximum platform reach : N/A
Gradeability: N/A
Country of manufacture: USA
This machine complies with:
ANSI A92.6
CAN B.354.4

Terex South Dakota, Inc.
18340 NE 76th Street
Redmond, WA 98052
USA



Serial number (stamped on chassis)

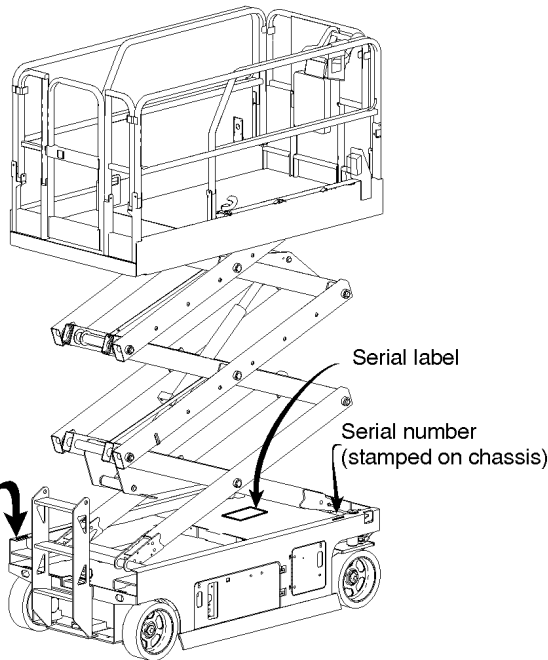


Table of Contents

This manual is updated frequently. If you have a printed manual, you can keep it up to date by downloading new figures from the Genie website at www.genielift.com. For the most up-to-date parts information, visit the Parts Lookup System on the Genie website at www.genielift.com.

How to Read Your Serial Number.....3
 Parts Stocking List.....7
 How to Order Parts.....8
 Service Parts Fax Order Form.....9

Electronic Version
 Click on any page number to view the figure.

100 Decals

101.1 Word Decals, GS-2032, Battery Side, ANSI & Australia.....10
 102.1 Word Decals, GS-2032, Ground Control Side, ANSI and Australia.....12
 103.1 Word Decals, GS-2032, Platform, ANSI.....14
 104.1 Word Decals, GS-2032, Platform, Australia.....16
 105.1 Word Decals, GS-2632, Battery Side, ANSI & Australia.....18
 106.1 Word Decals, GS-2632, Ground Control Side, ANSI and Australia.....20
 107.1 Word Decals, GS-2632, Platform, Australia.....22
 108.1 Word Decals, GS-2632, Platform, Australia.....24
 109.1 Word Decals, GS-3232, Battery Side, ANSI & Australia.....26
 110.1 Word Decals, GS-3232, Ground Control Side, ANSI and Australia.....28
 111.1 Word Decals, GS-3232, Platform, ANSI.....30
 112.1 Word Decals, GS-3232, Platform, Australia.....32
 113.1 Word Decals, GS-2046, Battery Side, ANSI & Australia.....34
 114.1 Word Decals, GS-2046, Ground Control Side, ANSI and Australia.....36
 115.1 Word Decals, GS-2046, Platform, ANSI.....38
 116.1 Word Decals, GS-2046, Platform, Australia.....40
 117.1 Word Decals, GS-2646, Battery Side, ANSI & Australia.....42
 118.1 Word Decals, GS-2646, Ground Control Side, ANSI and Australia.....44
 119.1 Word Decals, GS-2646, Platform, ANSI.....46
 120.1 Word Decals, GS-2646, Platform, Australia.....48

121.1 Word Decals, GS-3246, Battery Side, ANSI & Australia.....50
 122.1 Word Decals, GS-3246, Ground Control Side, ANSI and Australia.....52
 123.1 Word Decals, GS-3246, Platform, ANSI.....54
 124.1 Word Decals, GS-3246, Platform, Australia.....56
 125.1 Symbol Decals, GS-2032, Battery Side, ANSI & CE..58
 126.1 Symbol Decals, GS-2032, Battery Side, ANSI & CE..60
 127.1 Symbol Decals, GS-2032, Platform, ANSI.....62
 128.1 Symbol Decals, GS-2032, Platform, CE.....64
 129.1 Symbol Decals, GS-2632, Battery Side, ANSI & CE..66
 130.1 Symbol Decals, GS-2632, Ground Control Side, ANSI and CE.....68
 131.1 Symbol Decals, GS-2632, Platform, ANSI.....70
 132.1 Symbol Decals, GS-2632, Platform, CE.....72
 133.1 Symbol Decals, GS-3232, Battery Side, ANSI & CE..74
 134.1 Symbol Decals, GS-3232, Ground Control Side, ANSI and CE.....76
 135.1 Symbol Decals, GS-3232, Platform, ANSI.....78
 136.1 Symbol Decals, GS-3232, Platform, CE.....80
 137.1 Symbol Decals, GS-2046, Battery Side, ANSI & CE..82
 138.1 Symbol Decals, GS-2046, Ground Control Side, ANSI and CE.....84
 139.1 Symbol Decals, GS-2046, Platform, ANSI.....86
 140.1 Symbol Decals, GS-2046, Platform, CE.....88
 141.1 Symbol Decals, GS-2646, Battery Side, ANSI & CE..90
 142.1 Symbol Decals, GS-2646, Ground Control Side, ANSI and CE.....92
 143.1 Symbol Decals, GS-2646, Platform, ANSI.....94
 144.1 Symbol Decals, GS-2646, Platform, CE.....96
 145.1 Symbol Decals, GS-3246, Battery Side, ANSI & CE..98
 146.1 Symbol Decals, GS-3246, Ground Control Side, ANSI and CE.....100
 147.1 Symbol Decals, GS-3246, Platform, ANSI.....102
 148.1 Symbol Decals, GS-3246, Platform, CE.....104

200 Drive Chassis Components

201.1 Steer Linkage and Wheels, GS-32 & GS-46.....106
 202.1 Non-steer Axle Installation, GS-32 & GS-46.....108
 203.1 Level Sensor Installation, GS-32 & GS-46.....110
 204.1 Pothole Protection Assembly, GS-32 & GS-46.....112
 205.1 Battery Pack Module.....114
 206.1 Battery Charger.....116
 207.1 Power Unit Module.....118
 208.1 Ground Controls.....120
 209.1 Electrical Wiring, GS-2032, GS-2632, GS-2046, GS-2646, GS-3246.....122
 210.1 Electrical Wiring, GS-3232.....124

211.1 Power Cables.....	126
212.1 Outrigger Components, GS-3232.....	128
213.1 Function Manifold and Accumulator Components, GS-2032, GS-2632, GS-2046, GS-2646, GS-3246.....	130
214.1 Function Manifold and Accumulator Components, GS-3232.....	132
300 Scissor Components	
301.1 Scissor Assembly Installation.....	134
302.1 Scissor Assembly, GS-2032, GS-2046.....	136
303.1 Scissor Assembly, GS-2632, GS-2646.....	138
304.1 Scissor Assembly, GS-3232, GS-3246.....	140
400 Platform Components	
401.1 Platform Components, GS-2032, GS-2632, GS-3232.....	144
402.1 Platform Components, GS-2046, GS-2646, GS-3246.....	148
403.1 Power to Platform.....	152
404.1 Platform Controls.....	154
405.1 Joystick Controller.....	156
500 Hydraulic Components	
501.1 Hydraulic Components.....	158
502.1 Function Manifold.....	160
503.1 Brake Release Hand Pump Manifold.....	162
504.1 Hydraulic Power Unit, All Models.....	164
505.1 Lift Cylinder Assembly, All Models.....	166
506.1 Hydraulic Hoses and Fittings.....	168
507.1 Hydraulic Hoses and Fittings, Outriggers, GS-3232.....	172
508.1 Outrigger Cylinders, Front and Rear, GS-3232.....	174
509.1 Outrigger Function Manifold, GS-3232.....	176
600 Accessories	
601.1 Alarm, Horn and Flashing Beacons.....	178
602.1 Air Line to Platform.....	180
603.1 Platform Work Light.....	182
604.1 Voltage Inverter.....	184
605.1 Pipe Cradle Assembly, GS-2046, GS-2646, GS-3246.....	186
700 Platform Overload Components	
701.1 Platform Overload.....	188
Indices	
Part Number Index.....	190
Part Description Index.....	194
Cross References	
Fittings Cross Reference.....	200

Required Parts

The following parts are required to perform maintenance procedures as outlined in the Genie GS-30, GS-32 and GS-46 Service Manual.

Description	Part No.
Filter Element, 10 Micron.....	44788
Dielectric Grease.....	66399
Chevron Ultra-duty Grease (Lithium) or equivalent, EP NLGI 1.....(source locally)	
Breather Cap, Hydraulic Tank.....	78546
Cotter Pin, Castle Nut, Steer-end Wheels, GS-32, GS-46.....	13635-10
Cotter Pin, Castle Nut, Steer-end Wheels, GS-30 and Non-steer end Wheels, All Models	42079

Recommended Parts

Description	Part No.
Genie Blue Paint, 1 Gallon	32150
Genie Blue Paint, 12 Ounce Aerosol.....	1484
Genie Gray Paint, 1 Gallon.....	32151
Genie Gray Paint, 12 Ounce Aerosol	1268

Manuals

Genie Industries offers the following support documents for these models:

Genie GS-2032, GS-2632 and GS-3232 Operator's Manual, 3rd Edition, ANSI Models (from serial number GS3211A-110000).....	T107026
Genie GS-2046, GS-2646 and GS-3246 Operator's Manual, 3rd Edition, ANSI Models (from serial number GS4611A-110000).....	T107026
Genie GS-2032, GS-2632 and GS-3232 Operator's Manual, 7rd Edition, CE Models (after serial number GS3211A-110000).....	T107027
Genie GS-2046, GS-2646 and GS-3246 Operator's Manual, 7rd Edition, CE Models (after serial number GS4611A-110000).....	T107027
Genie GS-2032, GS-2632 and GS-3232 Operator's Manual, 7rd Edition, Australia Models (from serial number GS3211A-110000).....	T107028
Genie GS-2046, GS-2646 and GS-3246 Operator's Manual, 7rd Edition, Australia Models (from serial number GS4611A-110000).....	T107028
Genie GS-30, GS-32 and GS-46 Service Manual, Rev B.....	228901
EMI Safety Manual.....	27581
Manual of Responsibilities ANSI A92.6.....	44163

How To Order Parts

Please be prepared with the following information when ordering replacement parts for your Terex or Genie product:

- Machine model number
- Machine serial number
- Part number
- Part description and quantity
- Purchase order number
- "Ship to" address
- Desired method of shipment
- Name and telephone number of the authorized distributor in your area

Use the Service Parts Fax Order Form on the next page and fax your order to our Parts Department.

If you don't know the name of your authorized distributor, or if your area is not currently serviced by an authorized distributor, please call Terex or Genie Industries.

North America

Telephone (425) 556-6551
 Toll Free (877) 367-5606 in U.S.A. and Canada
 Fax (425) 556-8659
 Toll Free Fax (888) 274-6192

Europe

Parts Telephone (31) (165) 519 313
 Parts Fax (31) (165) 511 148

Australia

Parts Telephone (61) (7) 3456 4444
 Parts Fax (61) (7) 3456 4466

South America

Parts Telephone (55) (11) 4082 5600
 Parts Fax (55) (11) 4082 5630

Machine Information

Model

Serial Number

Date of Purchase

Authorized Genie Distributor

Phone Number



Service Parts Fax Order Form

Fax to: (425) 556-8659 or Toll Free: 888-274-6192
International: +1-425-556-8659

Please fill out completely

Date _____ Account Number _____
 Your Name _____ Your Fax Number _____
 _____ Your Phone Number _____
 Bill To _____ Ship To _____

 Purchase Order Number _____ Ship Via _____

Model(s) _____ Serial No.(s) _____
 Optional Equipment _____

Part Number	Description	Quantity	Price

All back-ordered parts will be shipped when available via the same ship method as the original order unless Noted below:

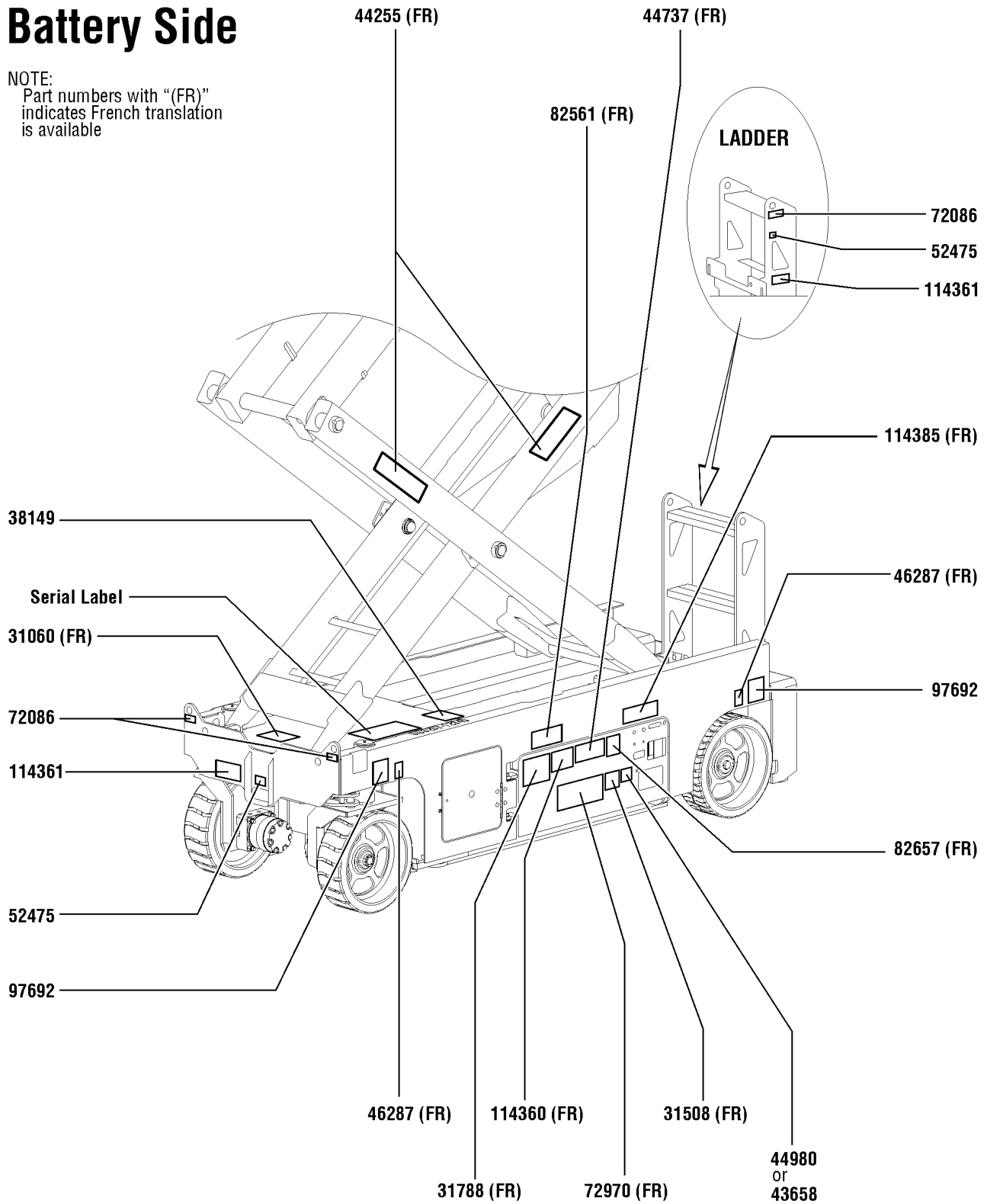
- Ship complete order only - No back orders
- Ship all available parts and contact customer on disposition of back-ordered parts
- Other (please specify)



101.1 Word Decals, GS-2032, Battery Side, ANSI & Australia

Battery Side

NOTE:
Part numbers with "(FR)"
indicates French translation
is available



101.1 Word Decals, GS-2032, Battery Side, ANSI & Australia

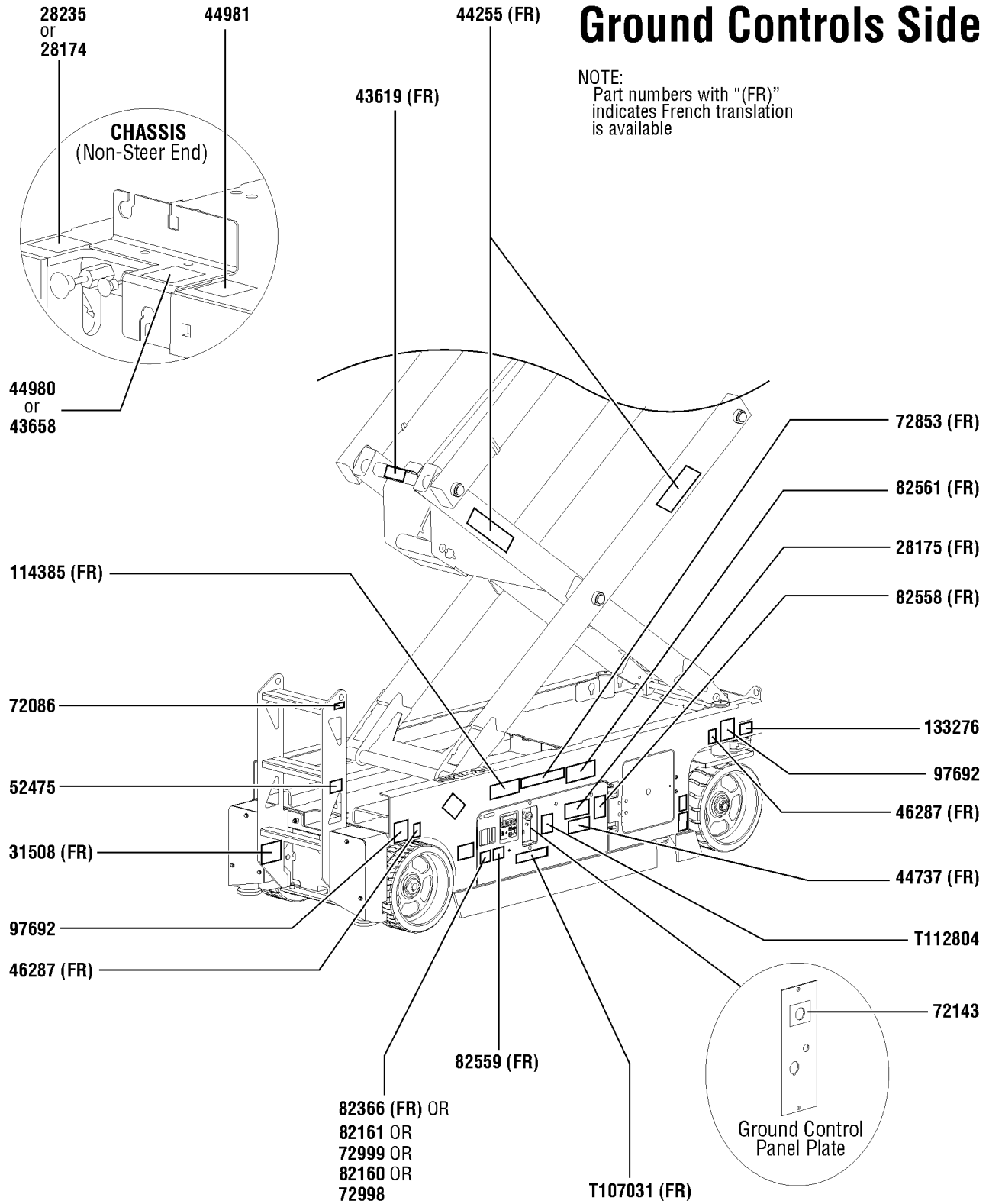
Item	Part No.	Description	Qty.
1	31060	DECAL,DANGER DO NOT ALTER SWTC.....	1
2	31508	DECAL,DANGER,ELECT HAZARD,PLUG..... <i>(Australia models only)</i>	1
3	31788	DECAL,DANGER,BATTERY SAFETY***	1
4	38149	DECAL,LABEL,PATENTS..... <i>(Domestic units only)</i>	1
5	43658	DECAL,LABEL,PWR TO CHARGR 230V..... <i>(Australia models only)</i>	1
6	44255	DECAL,DANGER,CRUSHING HAZARD.....	2
7	44737	DECAL,DANGER,TIP-OVER,TRAYS.	1
8	44980	DECAL,LABEL,PWR TO CHARGR 115V..... <i>(Australia models only)</i>	1
9	46287	DECAL,LABEL-TIRE SPECS.....	2
10	52475	DECAL,LABEL,TRANSPORT TIEDOWN*.....	2
11	72086	DECAL,LABEL,LIFTING EYE.....	3
12	72970	DECAL,INSTRUCTIONS-CHARGER OP.....	1
13	82561	DECAL,DANGER-USE SAFETY ARM.....	1
14	82657	DECAL,INSTRUCT,BATTERY CONNECT.....	1
15	97692	DECAL,LABEL,WHEEL LOAD 2032.....	2
16	114360	DECAL,DANGER-TIP-OVER,BATT..	1
17	114361	DECAL,LABEL-TRANSPORT DIGRAM.....	2
18	114385	DECAL,DANGER,ELEC HAZARD,GS.....	1



102.1 Word Decals, GS-2032, Ground Control Side, ANSI and Australia

Ground Controls Side

NOTE:
Part numbers with "(FR)" indicates French translation is available



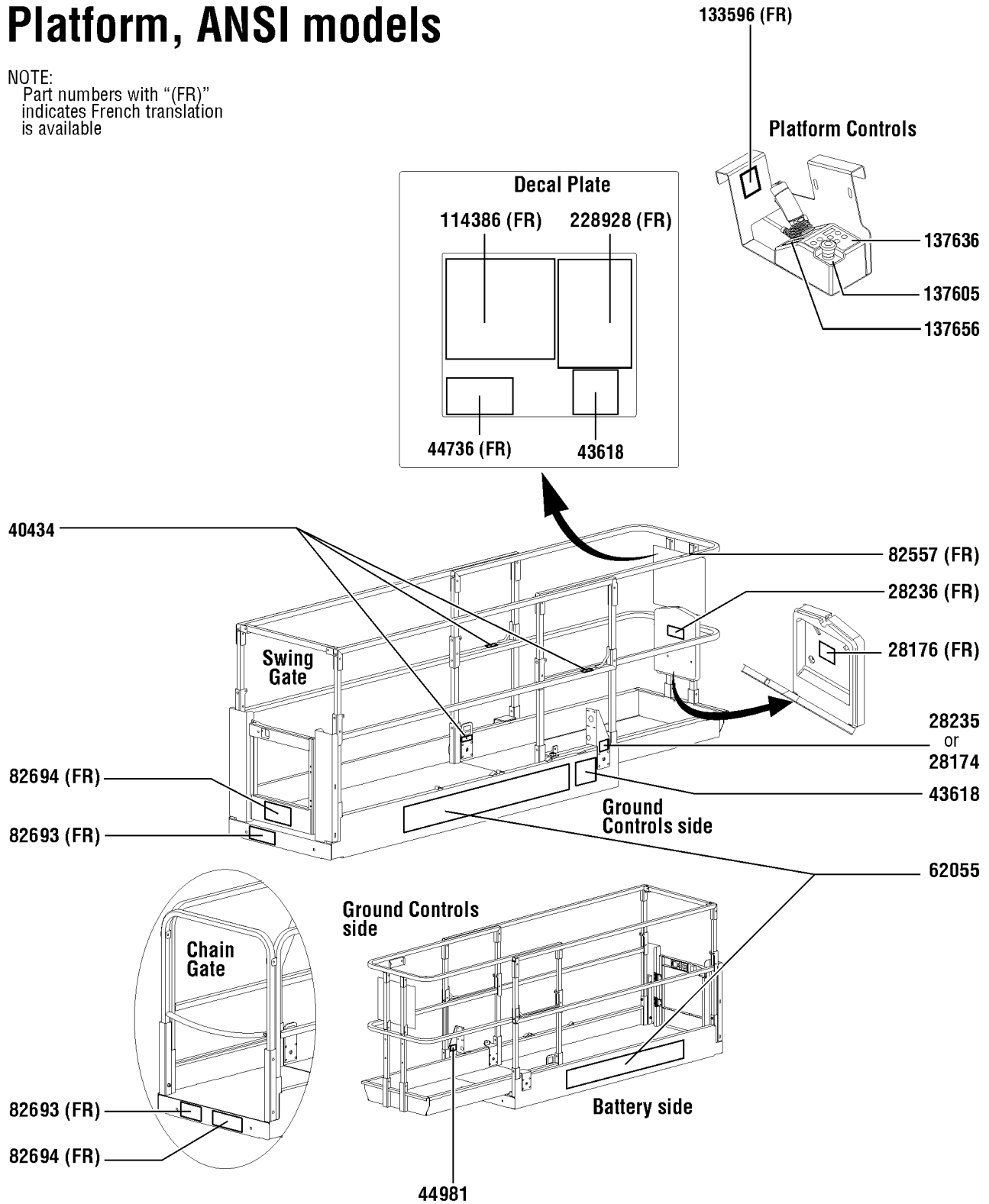
102.1 Word Decals, GS-2032, Ground Control Side, ANSI and Australia

Item	Part No.	Description	Qty.	Item	Part No.	Description	Qty.
1	28174	DECAL,POWER TO PLATFORM 230V.....	1	21	82558	DECAL,WARN,SKIN INJECTION HAZ*.....	1
2	28175	DECAL,WARNING-COMPART ACCESS.....	1	22	82559	DECAL,INSTRUCT-ANNUAL INSP REQ.....	1
3	28235	DECAL,POWER TO PLATFORM 115V.....	1	23	82561	DECAL,DANGER-USE SAFETY ARM.....	1
4	31508	DECAL,DANGER,ELECT HAZARD,PLUG.....	1	24	97692	DECAL,LABEL,WHEEL LOAD 2032.....	2
		<i>(ANSI models)</i>		25	114385	DECAL,DANGER,ELEC HAZARD,GS.....	1
5	43619	DECAL,LABEL,SAFETY ARM.....	1	26	133276	DECAL,DANGER,TIPOVER,TILT SYM.....	1
6	43658	DECAL,LABEL,PWR TO CHARGR 230V.....	1	27	T107031	DECAL,OP INST,GCON.....	1
		<i>(ANSI models)</i>		28	T112804	DECAL,GCON PANEL,GS.....	1
7	44255	DECAL,DANGER,CRUSHING HAZARD.....	2				
8	46287	DECAL,LABEL-TIRE SPECS.....	2				
9	44737	DECAL,DANGER,TIP-OVER,TRAYS.	1				
10	44980	DECAL,LABEL,PWR TO CHARGR 115V.....	1				
		<i>(ANSI models)</i>					
11	44981	DECAL,LABEL,AIRLINE 110 PSI.....	1				
		<i>(Option)</i>					
12	52475	DECAL,LABEL,TRANSPORT TIEDOWN*.....	1				
13	72086	DECAL,LABEL,LIFTING EYE.....	1				
14	72143	DECAL,EMERGENCY STOP,GR.....	1				
15	72853	DECAL,DANGER,IMPROPER USE HAZ.....	1				
16	72998	DECAL,LABEL,QUINTOLUBRIK.....	1				
		<i>(For models with Quintolub hydraulic oil only)</i>					
17	72999	DECAL,LABEL,PETRO CANADA***.....	1				
		<i>(For models with Petro Canada hydraulic oil only)</i>					
18	82160	DECAL,LABEL,STATOIL HYDRA WAY.....	1				
		<i>(For models with Statoil hydraulic oil only)</i>					
19	82161	DECAL,LABEL,UCON HYDROLUBE.....	1				
		<i>(For models with Ucon Hydrolube hydraulic oil only)</i>					
20	82366	DECAL,LABEL-CHEVRON RANDO.....	1				
		<i>(For models with Chevron Rando hydraulic oil only)</i>					



Platform, ANSI models

NOTE:
Part numbers with "(FR)"
indicates French translation
is available

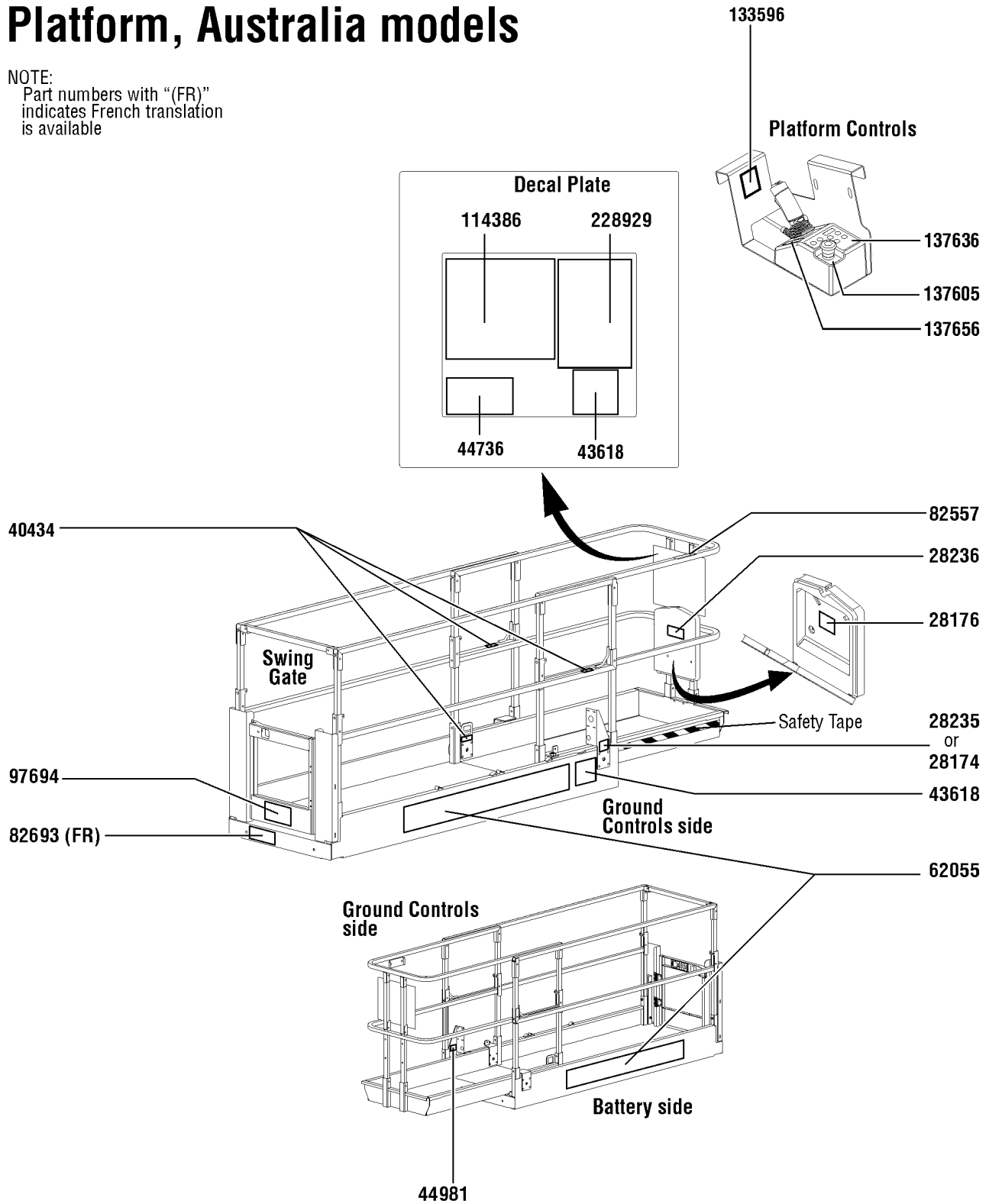


103.1 Word Decals, GS-2032, Platform, ANSI

Item	Part No.	Description	Qty.
1	28174	DECAL,POWER TO PLATFORM 230V.....	1
2	28176	DECAL,LABEL,MANUAL NOT HERE.....	1
3	28235	DECAL,POWER TO PLATFORM 115V.....	1
4	28236	DECAL,WARN,IMPROPER OPERATION.....	1
5	40434	DECAL,LANYARD ANCHORAGE POINT.....	3
6	43618	DECAL,LABEL-DIRECTION ARROWS.....	2
7	44736	DECAL,DANGER,TIP-OVER,TILT	1
8	44981	DECAL,LABEL,AIRLINE 110 PSI.....	1
9	62055	DECAL,COSMETIC,GENIE GS-2032.....	2
10	82557	DECAL,LABEL,PLAT CONT LOCATION.....	1
11	82694	DECAL,INSTR-SIDE FRC,ANSI 2032.....	1
12	82693	DECAL,INSTR-MAX CAP 800 LBS.....	1
13	114386	DECAL,DANGER-GEN SAFETY.....	1
15	133596	DECAL,LABEL,FAULT CODES.....	1
16	137636	UI, GR/GRC/GS PCON DECAL.....	1
17	137605	DECAL,E-STOP,GR/GRC/GS PCON.....	1
18	137656	DECAL,PROPEL,GR/GRC/GS,PCON.	1
19	228928	DECAL,INSTRUCTIONS,OPER,GS32.	1

Platform, Australia models

NOTE:
Part numbers with "(FR)"
indicates French translation
is available



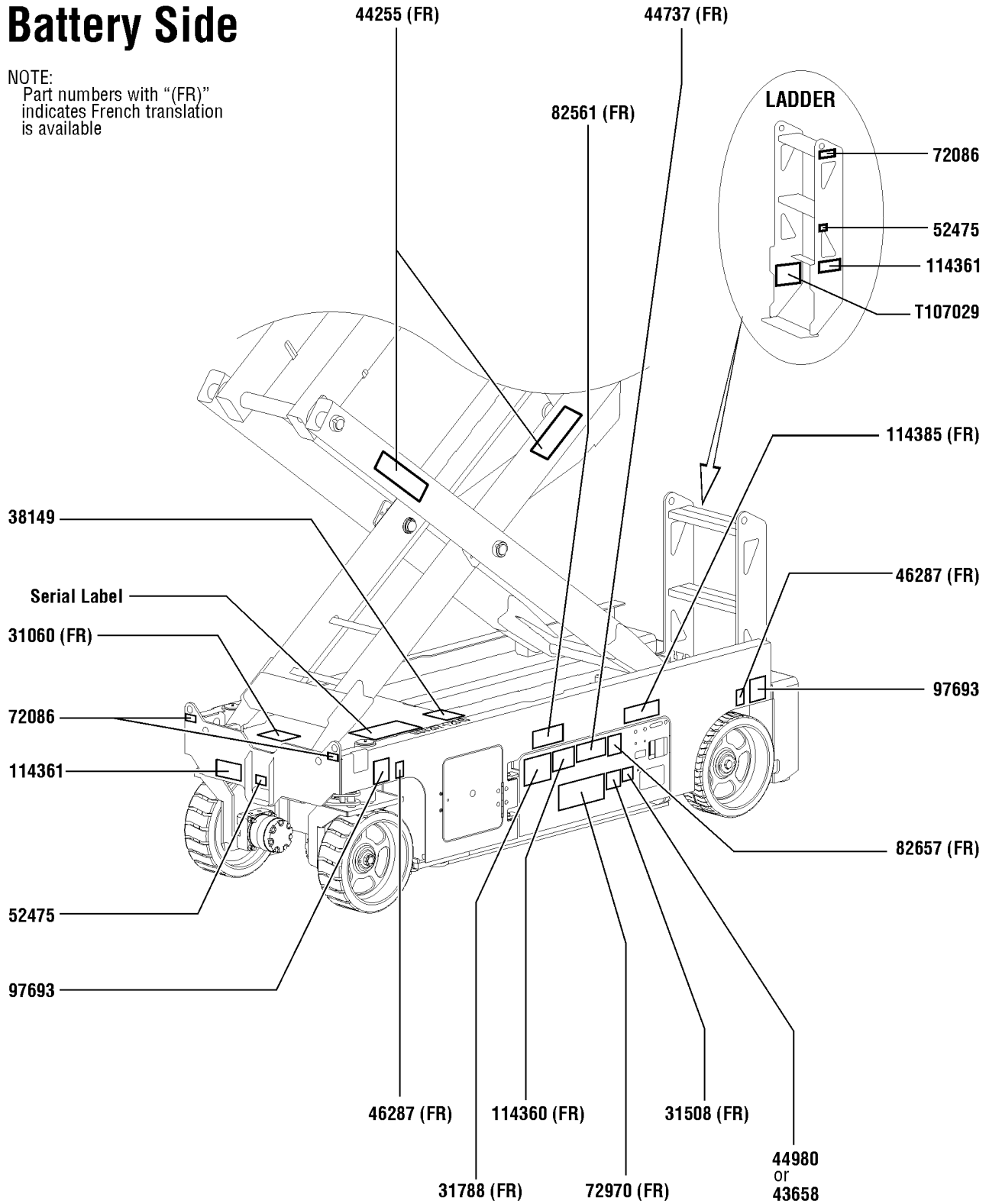
104.1 Word Decals, GS-2032, Platform, Australia

Item	Part No.	Description	Qty.
1	28174	DECAL,POWER TO PLATFORM 230V.....	1
2	28176	DECAL,LABEL,MANUAL NOT HERE.....	1
3	28235	DECAL,POWER TO PLATFORM 115V.....	1
4	28236	DECAL,WARN,IMPROPER OPERATION.....	1
5	40434	DECAL,LANYARD ANCHORAGE POINT.....	3
6	43618	DECAL,LABEL-DIRECTION ARROWS.....	2
7	44736	DECAL,DANGER,TIP-OVER,TILT....	1
8	44981	DECAL,LABEL,AIRLINE 110 PSI..... (Option)	1
9	62055	DECAL,COSMETIC,GENIE GS-2032.....	2
10	82557	DECAL,LABEL,PLAT CONT LOCATION.....	1
11	82693	DECAL,INSTR-MAX CAP 800 LBS.....	1
12	97694	DECAL,INSTR-MANUALFRC,AUS 2032.....	1
13	114386	DECAL,DANGER-GEN SAFETY.....	1
14	133596	DECAL,LABEL,FAULT CODES.....	1
15	137605	DECAL,E-STOP,GR/GRC/GS PCON.....	1
16	137636	UI, GR/GRC/GS PCON DECAL.....	1
17	137656	DECAL,PROPEL,GR/GRC/GS,PCON.	1
18	228929	DECAL,OP INST,AUS,GS-32.....	1

105.1 Word Decals, GS-2632, Battery Side, ANSI & Australia

Battery Side

NOTE:
Part numbers with "(FR)"
indicates French translation
is available



105.1 Word Decals, GS-2632, Battery Side, ANSI & Australia

Item	Part No.	Description	Qty.
1	31060	DECAL,DANGER DO NOT ALTER SWTC.....	1
2	31508	DECAL,DANGER,ELECT HAZARD,PLUG..... <i>(Australia models only)</i>	1
3	31788	DECAL,DANGER,BATTERY SAFETY***	1
4	38149	DECAL,LABEL,PATENTS..... <i>(Domestic units only)</i>	1
5	43658	DECAL,LABEL,PWR TO CHARGR 230V..... <i>(Australia models only)</i>	1
6	44255	DECAL,DANGER,CRUSHING HAZARD.....	2
7	44737	DECAL,DANGER,TIP-OVER,TRAYS.	1
8	44980	DECAL,LABEL,PWR TO CHARGR 115V..... <i>(Australia models only)</i>	1
9	46287	DECAL,LABEL-TIRE SPECS.....	2
10	52475	DECAL,LABEL,TRANSPORT TIEDOWN*.....	2
11	72086	DECAL,LABEL,LIFTING EYE.....	3
12	72970	DECAL,INSTRUCTIONS-CHARGER OP.....	1
13	82561	DECAL,DANGER-USE SAFETY ARM.....	1
14	82657	DECAL,INSTRUCT,BATTERY CONNECT.....	1
15	97693	DECAL,LABEL,WHEEL LOAD 2632.....	2
16	114360	DECAL,DANGER-TIP-OVER,BATT..	1
17	114361	DECAL,LABEL-TRANSPORT DIGRAM.....	2
18	114385	DECAL,DANGER,ELEC HAZARD,GS.....	1
19	T107029	DECAL,DANGER,BRAKE REL SAFETY.....	1



106.1 Word Decals, GS-2632, Ground Control Side, ANSI and Australia

Ground Controls Side

NOTE:
Part numbers with "(FR)" indicates French translation is available

