



A TEREX BRAND

Parts Manual

Serial Number Range

GS-30

from GS3005A-76000 to
GS3011A-109999

GS-32

from GS3005B-76000 to
GS3009B-98941

GS-46

from GS3008C-101 to
GS3011C-9999

from GS3205-75407 to
GS3211A-109999

from GS3208C-101 to
GS3212C-9999

from GS4605-75438 to
GS4611A-109999

from GS4609C-101 to
GS4612C-9999

Part No. 97384

Rev G24

April 2012

Technical Publications

Genie Industries has endeavored to deliver the highest degree of accuracy possible. However, continuous improvement of our products is a Genie policy. Therefore, product specifications are subject to change without notice.

Readers are encouraged to notify Genie of errors and send in suggestions for improvement. All communications will be carefully considered for future printings of this and all other manuals.

Contact Us:

<http://www.genieindustries.com>
 e-mail: awp.techpub@terex.com

Serial Number Information


Genie Industries offers the following Parts Manuals for these models:

Title	Part No
Genie GS-1530, GS-1532, GS-1930 and GS-1932 Parts Manual (to serial number 59999).....	39529
Genie GS-2032 and GS-2632 Parts Manual (to serial number 59999).....	46325
Genie GS-2046, GS-2646 and GS-3246 Parts Manual (to serial number 59999).....	48338
Genie GS-1530, GS-1532, GS-1930 and GS-1932 Parts Manual (from serial number 60000 to 75999).....	96315
Genie GS-2032 and GS-2632 Parts Manual (from serial number 60000 to 75406).....	96315
Genie GS-2046, GS-2646 and GS-3246 Parts Manual (from serial number 60000 to 75437).....	96315

Copyright © 1997 by Genie Industries

97384 Rev G August 2009
 Third Edition, Sixth Printing

"Genie" and "GS" are registered trademarks of Genie Industries in the USA and many other countries.

 Printed on recycled paper



Model: GS-1930
Serial number: GS3005A-12345
Model year: 2005 **Manufacture date:** 04/12/05
Electrical schematic number: ES0141
Machine unladen weight: 2,714 lb / 1,231 N

Rated work load (including occupants): 500 lb / 227 kg

Maximum allowable inclination of the chassis:
N/A

Gradeability: N/A

Maximum allowable side force : 100 lb / 445 N

Maximum number of platform occupants: 2

Country of manufacture: USA
This machine complies with:

ANSI A92.6
B354.2-01

Genie Industries
 18340 NE 76th Street
 Redmond, WA 98052
 USA



1 100000

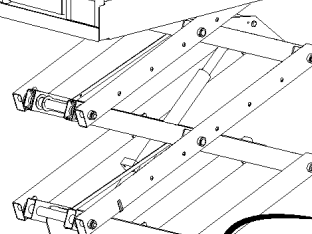
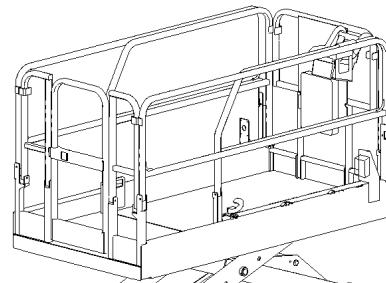
GS30 05 A - 12345

Model

Model year

Sequence number

Facility code
(used only for model manufactured
in multiple facilities)



Serial number
(stamped on chassis)

Serial label

Serial number
(stamped on chassis)



Table of Contents

This manual is updated frequently. If you have a printed manual, you can keep it up to date by downloading new figures from the Genie website at www.genielift.com. For the most up-to-date parts information, visit the Parts Lookup System on the Genie website at www.genielift.com.

How to Read Your Serial Number.....3
 Parts Stocking List.....7
 How to Order Parts.....8
 Service Parts Fax Order Form.....9

Electronic Version

Click on any page number to view the figure.

100 Decals

101.1 Decals with Words, GS-1530/1532/1930/1932 (North America and Australia) (from SN GS3005A-76000 to GS3007A-91731) and (from GS3005B-76000 to GS3007B-88079).....10
 102.1 Decals with Symbols, GS-1530/1930 (Asia and South America) (from SN GS3005A-76000 to GS3007A-91731) and (from GS3005B-76000 to GS3007B-88079).....14
 103.1 Decals with Words, GS-1530/1930 (North America) (from SN GS3007A-91732 to GS3010A-109999) and (from GS3007B-88080).....16
 103.1 Decals with Words, GS-1530/1930 (North America) (from SN GS3007A-91732 to GS3010A-109999) and (from GS3007B-88080).....20
 104.1 Decals with Symbols, GS-1530/1930 (Asia and South America) (from SN GS3007A-91732 to GS3010A-10999 and GS3007B-88080).....24
 105.1 Decals with Words, GS-1530/1532/1930/1932 (Australia) (from SN GS3007A-91732 to GS3011A-102095) and (from GS3007B-88080 to GS3009B-98941).....26
 106.1 Decals with Words, GS-1530/1532/1930/1932 (Australia) (from SN GS3011A-102096 to GS3010A-10999).....30
 107.1 Decals with Symbols, GS-1530/1532/1930/1932 (Europe) CE Models (from SN GS3005A-76000 to GS3007A-91731) and (from GS3005B-76000 to GS3007B-88079).....34
 108.1 Decals with Symbols, GS-1530/1532/1930/1932 (Europe) (from SN GS3007A-91732 to GS3010A-109999; from GS3007B-88080; and from GS3008C-101 to GS3011C-9999).....36
 109.1 Decals with Words, GS-2032/2632 (North America and Australia) (from SN GS3205-75407 to GS3207-87723).....38
 110.1 Decals with Symbols, GS-2032/2632 (Asia and South America) (from SN GS3205-75407 to GS3207-87723).....42

111.1 Decals with Words, GS-2032/2632/3232 (North America) (from SN GS3207-87724 to GS3209-94602; and from GS3209A-94603).....44
 112.1 Decals with Symbols, GS-2032/2632/3232 (Asia and South America) (from SN GS3207-87724).....48
 113.1 Decals with Words, GS-2032/2632/3232 (Australia) (from SN GS3207-87724 to GS3209-94602; and from GS3209A-94603 to GS3211A-96554).....50
 114.1 Decals with Words, GS-2032/2632/3232 (Australia) (from SN GS3211A-96555).....54
 115.1 Decals with Symbols, GS-2032/2632 (Europe) (from SN GS3205-75407 to GS3207-87723).....58
 116.1 Decals with Symbols, GS-2032/2632/3232 (Europe) (from SN GS3207-87724 to GS3209-94602; from GS3209A-94603; and from GS3208C-101).....60
 117.1 Decals with Words, GS-2046/2646/3246 (North America and Australia) (from SN GS4605-75438 to GS4607-87508).....64
 118.1 Decals with Symbols, GS-2046/2646/3246 (Asia and South America) (from SN GS4605-75438 to GS4607A-87508).....68
 119.1 Decals with Words, GS-2046/2646/3246 (North America) (from SN GS4607-87509 to GS4609-95192; and from GS4609A-95193).....70
 120.1 Decals with Symbols, GS-2046/2646/3246 (Asia and South America) (from SN GS4607-87509 to GS4609-95192; and from GS4609A-95193).....74
 121.1 Decals with Words, GS-2046/2646/3246 (Australia) (from SN GS4607-87509 to GS4609-95192; and from GS4609A-95193 to GS4611A-96923).....76
 122.1 Decals with Words, GS-2046/2646/3246 (Australia) (from SN GS4611A-96924).....80
 123.1 Decals with Symbols, GS-2046/2646/3246 (Europe) (from SN GS4605-75438 to GS4607-87508).....84
 124.1 Decals with Symbols, GS-2046/2646/3246 (Europe) (from SN GS4607-87509 to GS4609-95192; and from GS4609A-95193; and from GS4609C-101).....86

200 Drive Chassis Components

201.1 Steer Linkage and Wheels (GS-1530, GS-1532, GS-1930, GS-1932).....90
 202.1 Steer Linkage and Wheels, GS-2032, GS-2632, GS-3232, GS-2046, GS-2646, GS-3246.....92
 203.1 Non-steer Axle Installation, All Models.....94
 204.1 Ground Controls and Level Sensor Installation, All Models.....98
 205.1 Pothole Protection Assembly, GS-1530, GS-1532, GS-1930, GS-1932.....100
 206.1 Pothole Protection Assembly, GS-2032, GS-2632, GS-3232, GS-2046, GS-2646, GS-3246.....102
 207.1 Battery Pack Module (to SN GS3007A-90292, GS3007B-85535, GS3207-85959, GS4607-85667).....104

207.2 Battery Pack Module (from SN GS3007A-90293, GS3007B-85536, GS3008C-101, GS3207-85960, GS3208C-101, GS4607-85668, and GS4609C-101).....	106	502.2 Check Valve Manifold, GS-1530, GS-1532, GS-1930, GS-1932.....	180
208.1 Battery Charger.....	108	503.1 Function Manifold, GS-2032, GS-2632, GS-2046, GS2646, GS-3232, GS-3246.....	182
209.1 Power Unit Module, All Models (to SN GS3007A-90292, GS3007B-85535, GS3207-85959, and GS4607-85667)....	110	504.1 Brake Release Hand Pump Manifold.....	184
209.2 Power Unit Module (from SN GS3007A-90293, GS-3007B-85536, GS-3008C-101, GS3207-85960, GS3208C-101, GS4607-85668, and GS4609C-101).....	112	505.1 Hydraulic Power Unit, All Models.....	186
210.1 Ground Controls, All Models.....	114	506.1 Lift Cylinder Assembly, All Models.....	188
211.1 Electrical Wiring and Power Cables.....	116	507.1 Hydraulic Hoses and Fittings, GS-1530, GS-1532, GS-1930, GS-1932.....	190
212.1 Outrigger Components, GS-3232.....	120	508.1 Hydraulic Hoses and Fittings, GS-2032, GS-2632, GS-3232, GS-2046, GS-2646, GS-3246.....	192
213.1 Outrigger Control Box, GS-3232.....	122	509.1 Outrigger Cylinders, Front and Rear, GS-3232.....	196
214.1 Function Manifold and Accumulator Components, GS-1530, GS-1532, GS-1930, GS-1932.....	124	510.1 Outrigger Function Manifold, GS-3232.....	198
214.2 Function Manifold and Accumulator Components, GS-2032, GS-2632, GS-2046, GS-2646, GS-3246.....	126	511.1 Hydraulic Hoses and Fittings, Outriggers, GS-3232.....	200
214.3 Function Manifold and Accumulator Components, GS-3232.....	128		
300 Scissor Components		600 Accessories	
301.1 Scissor Assembly Installation.....	130	601.1 Alarm, Horn and Flashing Beacons.....	202
302.1 Scissor Assembly, GS-1530, GS-1532 (to serial numbers GS3006A-84657 AND GS3006B-80108).....	132	602.1 Air Line to Platform.....	204
302.2 Scissor Assembly, GS-1530, GS-1532 (from SNs GS3006A-84658, GS3006B-80109, and GS3008C-101)....	134	603.1 Platform Work Light.....	206
303.1 Scissor Assembly, GS-1930, GS-1932, (to serial numbers GS3006A-84657 and GS3006B-80108).....	136	604.1 Voltage Inverter, GS-1530, GS-1532, GS-1930.....	208
303.2 Scissor Assembly, GS-1930, GS-1932 (from SNs GS3006A-84658, GS3006B-80109 and GS3008C-101)....	138	605.1 Voltage Inverter, GS-2032, GS-2632, GS-2046, GS-2646, GS-3232, GS-3246.....	210
304.1 Scissor Assembly, GS-2032, GS-2046.....	140	606.1 Pipe Cradle Assembly, GS-2046, GS-2646, GS-3246.....	212
305.1 Scissor Assembly, GS-2632, GS-2646.....	144		
306.1 Scissor Assembly, GS-3232, GS-3246.....	148	700 Platform Overload Components	
		701.1 Platform Overload, GS-1530, GS-1532, GS-1930, GS-1932.....	214
400 Platform Components		702.1 Platform Overload, GS-2032, GS-2632, GS-3232, GS-2046, GS-2646, GS-3246.....	216
401.1 Platform Components, GS-1530, GS-1532, GS-1930, GS-1932.....	152	Indices	
402.1 Platform Components, GS-2032, GS-2632, GS-3232.....	158	Part Number Index.....	218
403.1 Platform Components, GS-2046, GS-2646, GS-3246.....	164	Part Description Index.....	224
404.1 Platform Gates, GS-1530, GS-1532, GS-1930, GS-1932.....	168	Cross References	
405.1 Power to Platform.....	170	Fittings Cross Reference.....	232
406.1 Platform Control Box.....	172		
407.1 Joystick Controller.....	174		
500 Hydraulic Components			
501.1 Hydraulic Components.....	176		
502.1 Function Manifold, GS-1530, GS-1532, GS-1930, GS-1932.....	178		

Required Parts

The following parts are required to perform maintenance procedures as outlined in the *Genie GS-30, GS-32 and GS-46 Service Manual*.

Description	Part No.
Filter Element, 10 Micron.....	44788
Dielectric Grease.....	66399
Chevron Ultra-duty Grease (Lithium) or equivalent, EP NLGI 1.....(source locally)	
Breather Cap, Hydraulic Tank.....	78546
Cotter Pin, Castle Nut, Steer-end Wheels, GS-32, GS-46.....	13635-10
Cotter Pin, Castle Nut, Steer-end Wheels, GS-30 and Non-steer end Wheels, All Models	42079

Recommended Parts

Description	Part No.
Genie Blue Paint, 1 Gallon	32150
Genie Blue Paint, 12 Ounce Aerosol	1484
Genie Gray Paint, 1 Gallon	32151
Genie Gray Paint, 12 Ounce Aerosol	1268

Manuals

Genie Industries offers the following support documents for these models:

Title	Part No.
Genie GS-1530, GS-1532, GS-1930 and GS-1932 Operator's Manual, 3rd Edition ANSI Models (from serial number GS3005A-76000, GS3005B-76000).....	1000031
Genie GS-1530, GS-1532, GS-1930 and GS-1932 Operator's Manual, 3rd Edition, CE Models (from serial number GS3005A-76000, GS3005B-76000).....	1000032
Genie GS-2032 and GS-2632 Operator's Manual, 4th Edition, ANSI Models (from serial number GS3205-75407).....	1000033
Genie GS-2032 and GS-2632 Operator's Manual, 4th Edition, CE Models (from serial number GS3205-75407).....	1000034
Genie GS-2046, GS-2646 and GS-3246 Operator's Manual, 3rd Edition, ANSI Models (from serial number GS4605-75437).....	1000060
Genie GS-2046, GS-2646 and GS-3246 Operator's Manual, 3rd Edition, CE Models (after serial number GS4605-75438).....	1000061
Genie GS-3232 Operator's Manual, 5th Edition, ANSI Models (from serial number GS3207-84867).....	114312
Genie GS-1530, GS-1930, GS-2033,GS-2632, GS-3232, GS-2046, GS-2646, GS-3246, Operator's Manual, 5th Edition ANSI Models (from serial number GS3007A-88080, GS3007B-91732, GS3207-87724, GS4607-87509).....	114312
Genie GS-1530, GS-1532, GS-1930,GS-1932, GS-2032, GS-2632, GS-3232,GS-2046, GS-2646, GS-3246,Operator's Manual, 5th Edition, CE Models (from serial number GS3007A-88080, GS3007B-91732,GS3207-87724, GS4607-87509).....	114313
Genie GS-1530, GS-1532, GS-1930,GS-1932, GS-2032, GS-2632, GS-3232,GS-2046, GS-2646, GS-3246, Operator's Manual, 5th Edition, Australia Models (from serial number GS3007A-88080, GS3007B-91732, GS3207-87724, GS4607-87509).....	114423
Genie GS-30, GS-32 and GS-46 Service Manual, 4th Edition.....	97385
EMI Safety Manual.....	27581
Manual of Responsibilities ANSI A92.6.....	44163



How To Order Parts

Please be prepared with the following information when ordering replacement parts for your Terex or Genie product:

- Machine model number
- Machine serial number
- Part number
- Part description and quantity
- Purchase order number
- "Ship to" address
- Desired method of shipment
- Name and telephone number of the authorized distributor in your area

Use the Service Parts Fax Order Form on the next page and fax your order to our Parts Department.

If you don't know the name of your authorized distributor, or if your area is not currently serviced by an authorized distributor, please call Terex or Genie Industries.

Machine Information

Model

Serial Number

Date of Purchase

Authorized Genie Distributor

Phone Number

North America

Telephone (425) 556-6551
 Toll Free (877) 367-5606 in U.S.A. and Canada
 Fax (425) 556-8659
 Toll Free Fax (888) 274-6192

Europe

Parts Telephone (31) (165) 519 313
 Parts Fax (31) (165) 511 148

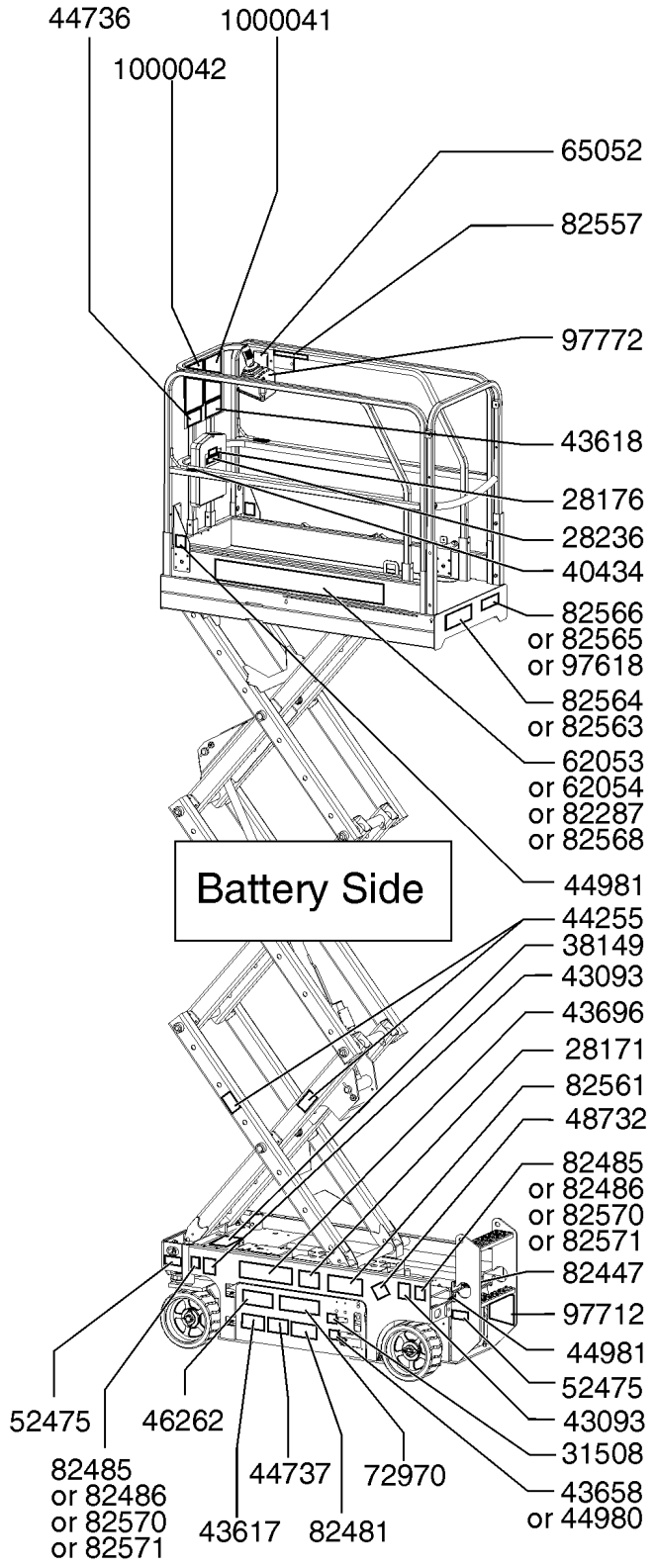
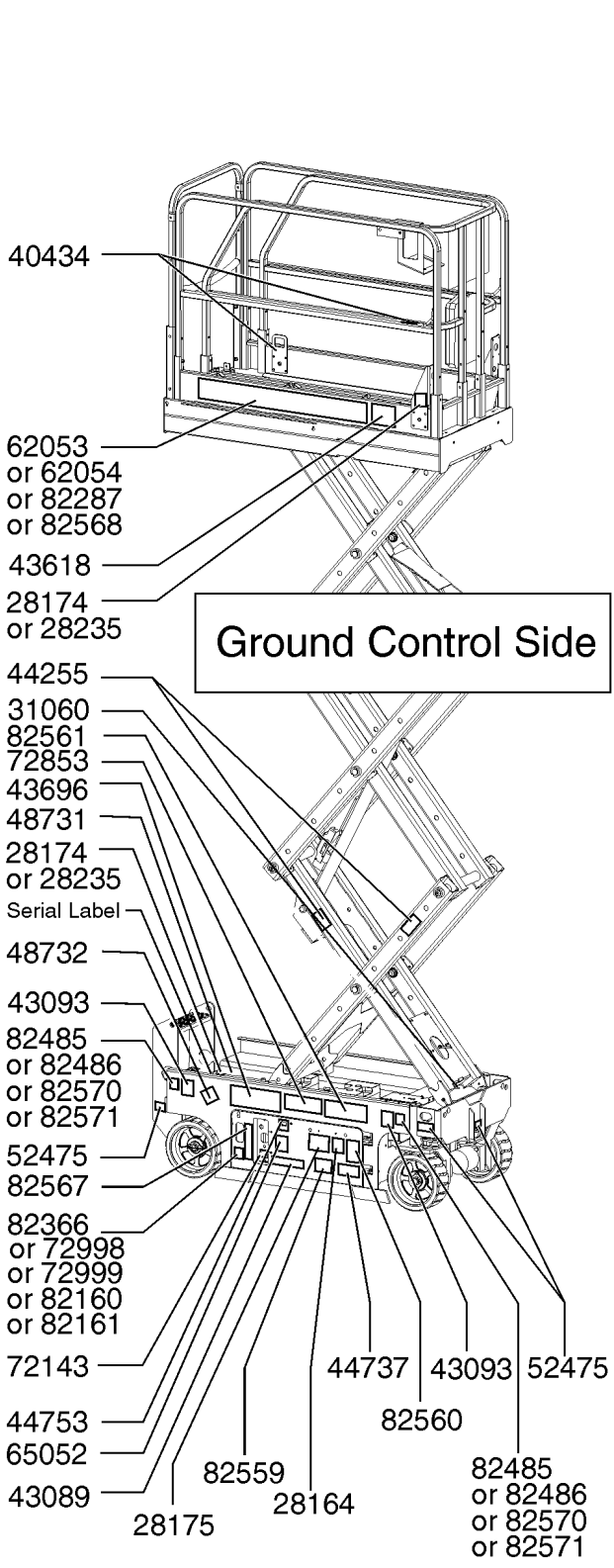
Australia

Parts Telephone (61) (7) 3456 4444
 Parts Fax (61) (7) 3456 4466

South America

Parts Telephone (55) (11) 4082 5600
 Parts Fax (55) (11) 4082 5630

101.1 Decals with Words, GS-1530/1532/1930/1932 (North America and Australia) (from SN GS3005A-76000 to GS3007A-91731) and (from GS3005B-76000 to GS3007B-88079)



101.1 Decals with Words, GS-1530/1532/1930/1932 (North America and Australia) (from SN GS3005A-76000 to GS3007A-91731) and (from GS3005B-76000 to GS3007B-88079)

Item	Part No.	Description	Qty.	Item	Part No.	Description	Qty.
1	28164	DECAL,NOTICE,HAZARDOUS MAT'LS*.....	1	27	48732	DECAL,LABEL,EE RATING..... <i>For EE Models Only</i>	2
2	28171	DECAL,DANGER,NO SMOKING***.....	1	28	52475	DECAL,LABEL,TRANSPORT TIEDOWN*.....	5
3	28174	DECAL,POWER TO PLATFORM 230V.....	2	29	62053	DECAL,COSMETIC,GENIE GS-1530**.....	2
4	28175	DECAL,WARNING-COMPART ACCESS.....	1	30	62052	DECAL,COSMETIC,GENIE DPL-35S.....	2
5	28176	DECAL,LABEL,MANUAL NOT HERE.....	1	31	62054	DECAL,COSMETIC,GENIE GS-1930**.....	1
6	28235	DECAL,POWER TO PLATFORM 115V.....	2	32	72143	DECAL,EMERGENCY STOP,GR.....	1
7	28236	DECAL,WARN,IMPROPER OPERATION.....	1	33	72853	DECAL,DANGER,IMPROPER USE HAZ.....	1
8	31060	DECAL,DANGER DO NOT ALTER SWTC.....	1	34	72970	DECAL,INSTRUCTIONS-CHARGER OP.....	1
9	31508	DECAL,DANGER,ELECT HAZARD,PLUG.....	1	35	72998	DECAL,LABEL,QUINTOLUBRIK..... <i>For Models with Quintolub Hydraulic Oil Only</i>	1
10	38149	DECAL,LABEL,PATENTS..... <i>For Domestic Models Only</i>	1	36	72999	DECAL,LABEL,PETRO CANADA***..... <i>For Models with Petro Canada Hydraulic Oil Only</i>	1
11	40434	DECAL,LANYARD ANCHORAGE POINT.....	3	37	82160	DECAL,LABEL,STATOIL HYDRA WAY..... <i>For Models with Statoil Hydraulic Oil Only</i>	1
12	43089	DECAL,INSTRUCTIONS-OPER,GCP.1	1	38	82161	DECAL,LABEL,UCON HYDROLUBE..... <i>For Models with Ucon Hydrolube Hydraulic Oil Only</i>	1
13	43093	DECAL,LABEL,TIRE SPECS.....	4	39	82287	DECAL,COSMETIC,GENIE GS-1932.....	2
14	43617	DECAL,DANGER,TIP-OVER,BATTERY.1	1	40	82366	DECAL,LABEL-CHEVRON RANDO..... <i>For Models with Chevron Rando Hydraulic Oil Only</i>	1
15	43618	DECAL,LABEL-DIRECTION ARROWS.....	2	41	82447	DECAL,LABEL,AUX LOWERING....	1
16	43619	DECAL,LABEL,SAFETY ARM.....	1	42	82485	DECAL,LABEL,WHEEL LOAD 1530..... <i>(For ANSI Models Only)</i>	4
17	43658	DECAL,LABEL,PWR TO CHARGR 230V.....	1	43	82486	DECAL,LABEL,WHEEL LOAD 1930..... <i>(For ANSI Models Only)</i>	4
18	43696	DECAL,DANGER,ELEC HAZARD,GS.....	2	44	82557	DECAL,LABEL,PLAT CONT LOCATION.....	1
19	44255	DECAL,DANGER,CRUSHING HAZARD.....	4	45	82558	DECAL,WARN,SKIN INJECTION HAZ*.....	1
20	44736	DECAL,DANGER,TIP-OVER,TILT....	1				
21	44737	DECAL,DANGER,TIP-OVER,TRAYS.2	2				
22	44753	DECAL,LABEL,LED READOUT....	1				
23	44980	DECAL,LABEL,PWR TO CHARGR 115V.....	1				
24	44981	DECAL,LABEL,AIRLINE 110 PSI....	2				
25	46262	DECAL,DANGER,BATTERY SAFETY.....	1				
26	48731	DECAL,LABEL,FMRC APPROVED..... <i>For EE Models Only</i>	1				



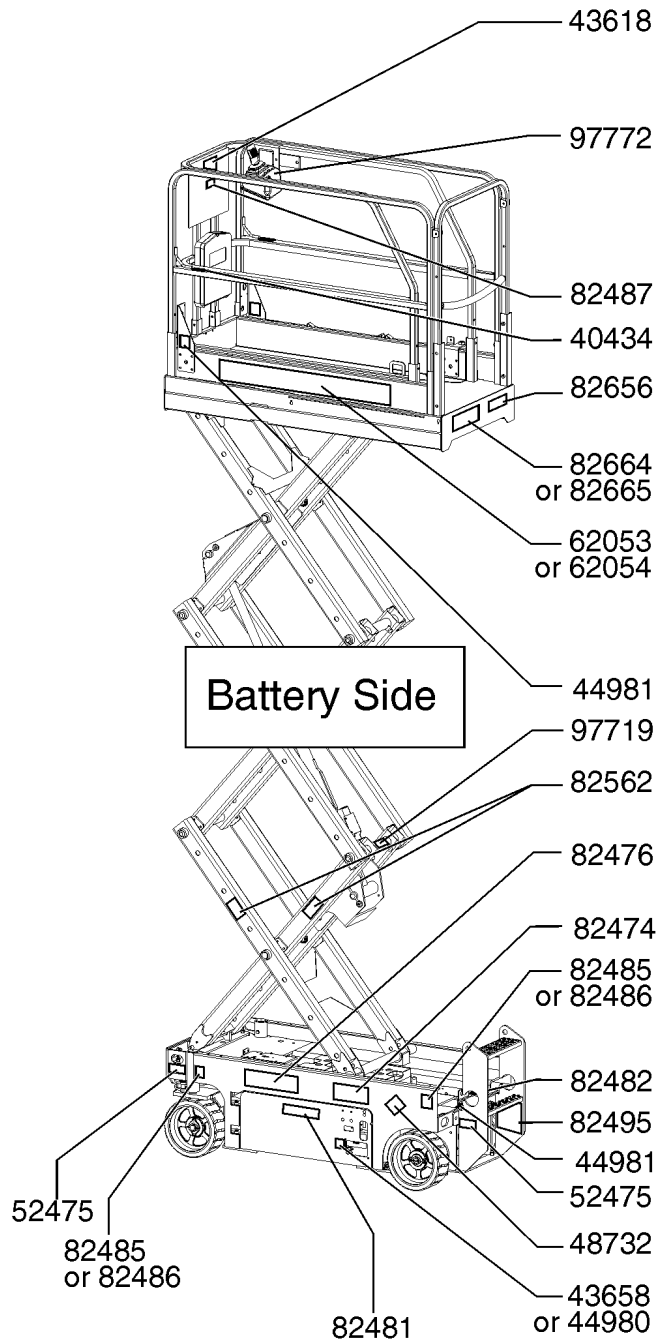
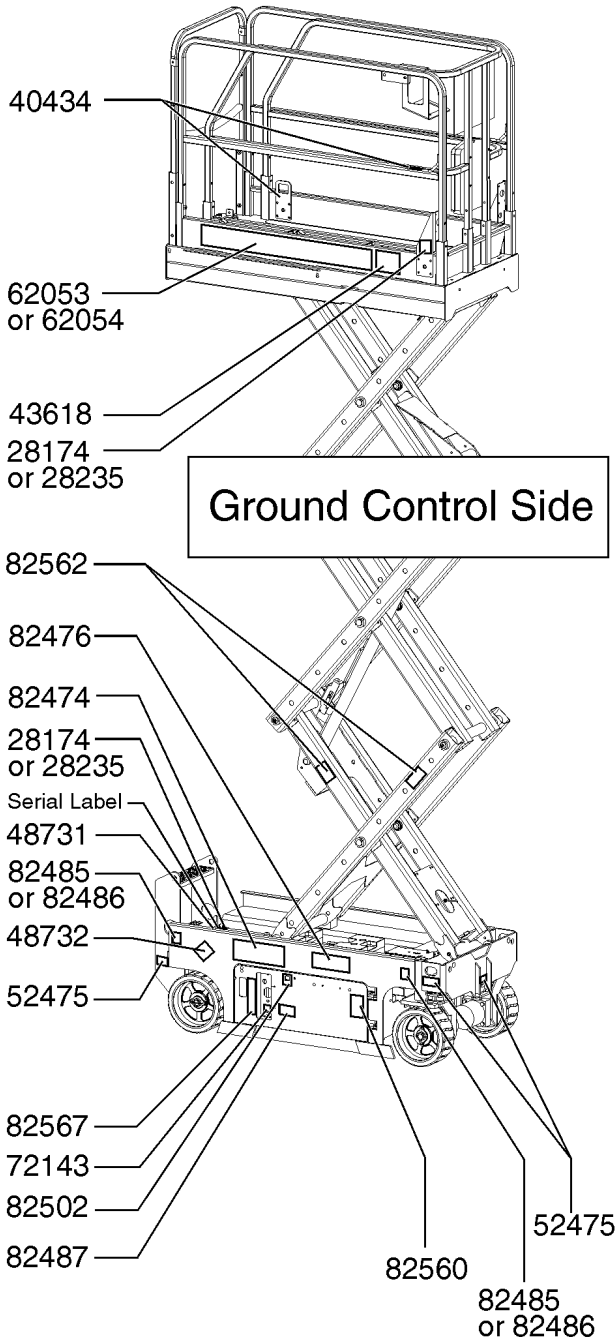
101.1 Decals with Words, GS-1530/1532/1930/1932 (North America and Australia) (from SN GS3005A-76000 to GS3007A-91731) and (from GS3005B-76000 to GS3007B-88079)
(continued)

Item	Part No.	Description	Qty.
46	82559	DECAL,INSTRUCT-ANNUAL INSP REQ.....	1
47	82561	DECAL,DANGER-USE SAFETY ARM.....	2
48	82563	DECAL,INSTR-MAX CAP 500 LBS..... <i>For GS1930 and GS1932 Models</i>	1
49	82564	DECAL,INSTR-MAX CAP 600LBS...	1
50	82565	DECAL,INSTR-SIDE FRC,ANSI..... <i>(For ANSI Models Only)</i>	1
51	82566	DECAL,INSTR-MANUAL FRC,AUS..... <i>(For GS-1532 and GS-1932 Australia Models Only)</i>	1
52	82567	DECAL, GROUND CONTROL PANEL.....	1
53	82568	DECAL,COSMETIC,GENIE GS-1532.....	2
54	82570	DECAL,LABEL-WHEEL LOAD 1530/32..... <i>(For Astralia Models Only)</i>	4
55	82571	DECAL,LABEL,WHEEL LOAD 19XX..... <i>(For Astralia Models Only)</i>	4
56	82657	DECAL,INSTRUCT,BATTERY CONNECT.....	1
57	97618	DECAL,INSTR-INDOOR USE,AUS..... <i>(For GS-1530 and GS-1930 Australia Models Only)</i>	1
58	97712	DECAL,DANGER,BRAKE REL SAFETY*.....	1
59	97772	DECAL,OVERLAY,PLAT CONTROLS***.....	1
60	1000041	DECAL,INSTRUCT-OP,GEN5,GS-30.1	
61	1000042	DECAL,DANGER,GENERAL SAFETY.....	1

101.1 Decals with Words, GS-1530/1532/1930/1932 (North America and Australia) (from SN GS3005A-76000 to GS3007A-91731) and (from GS3005B-76000 to GS3007B-88079)
(continued)

This Page Intentionally Left Blank

102.1 Decals with Symbols, GS-1530/1930 (Asia and South America) (from SN GS3005A-76000 to GS3007A-91731) and (from GS3005B-76000 to GS3007B-88079)

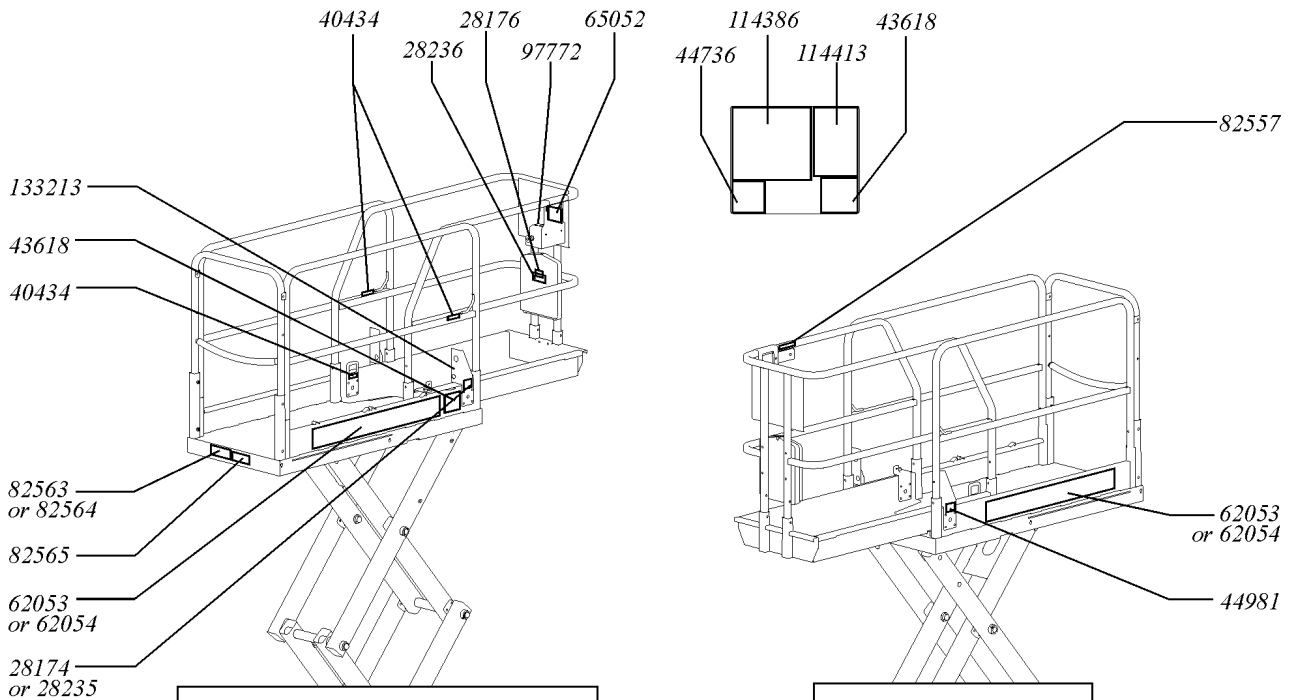


102.1 Decals with Symbols, GS-1530/1930 (Asia and South America) (from SN GS3005A-76000 to GS3007A-91731) and (from GS3005B-76000 to GS3007B-88079)

Item	Part No.	Description	Qty.	Item	Part No.	Description	Qty.
1	28174	DECAL,POWER TO PLATFORM 230V.....	2	25	82560	DECAL,SYMBOL-SKIN INJECT HAZRD.....	1
2	28235	DECAL,POWER TO PLATFORM 115V.....	2	26	82562	DECAL,SYMBOL-CRUSHING HAZARD.....	4
3	40434	DECAL,LANYARD ANCHORAGE POINT.....	3	27	82567	DECAL, GROUND CONTROL PANEL.....	1
4	43618	DECAL,LABEL-DIRECTION ARROWS.....	2	28	82656	DECAL,SYM-SIDE FORCE 445N....	1
5	43658	DECAL,LABEL,PWR TO CHARGR 230V.....	1	29	97719	DECAL, LABEL, SAFETY ARM SYMB.....	1
6	44980	DECAL,LABEL,PWR TO CHARGR 115V.....	1	30	97772	DECAL,OVERLAY,PLAT CONTROLS***.....	1
7	44981	DECAL,LABEL,AIRLINE 110 PSI....	2				
8	48731	DECAL,LABEL,FMRC APPROVED..... <i>For EE Models Only</i>	1				
9	48732	DECAL,LABEL,EE RATING..... <i>For EE Models Only</i>	2				
10	52475	DECAL,LABEL,TRANSPORT TIEDOWN*.....	5				
11	62053	DECAL,COSMETIC,GENIE GS-1530**.....	2				
12	62054	DECAL,COSMETIC,GENIE GS-1930**.....	2				
13	72143	DECAL,EMERGENCY STOP,GR....	1				
14	82474	DECAL,SYMBOL-USE SAFETY ARM.....	2				
15	82476	DECAL,SYMBOL-ELEC HAZARD,GS.....	2				
16	82481	DECAL,SYMBOL-BATTERY SAFETY.....	1				
17	82482	DECAL, LABEL,AUX LOWERING....	1				
18	82485	DECAL,LABEL,WHEEL LOAD 1530.....	4				
19	82486	DECAL,LABEL,WHEEL LOAD 1930.....	4				
20	82487	DECAL,SYMBOL-READ THE MANUAL.....	2				
21	82495	DECAL,SYMBOL-BRAKE REL SAFETY.....	1				
22	82496	DECAL,SYM-MAXCAP 500..... <i>For GS1930 Models Only</i>	1				
23	82501	DECAL,SYM-MAXCAP 600..... <i>For GS1530 Models Only</i>	1				
24	82502	DECAL,LABEL,LED READOUT.....	1				

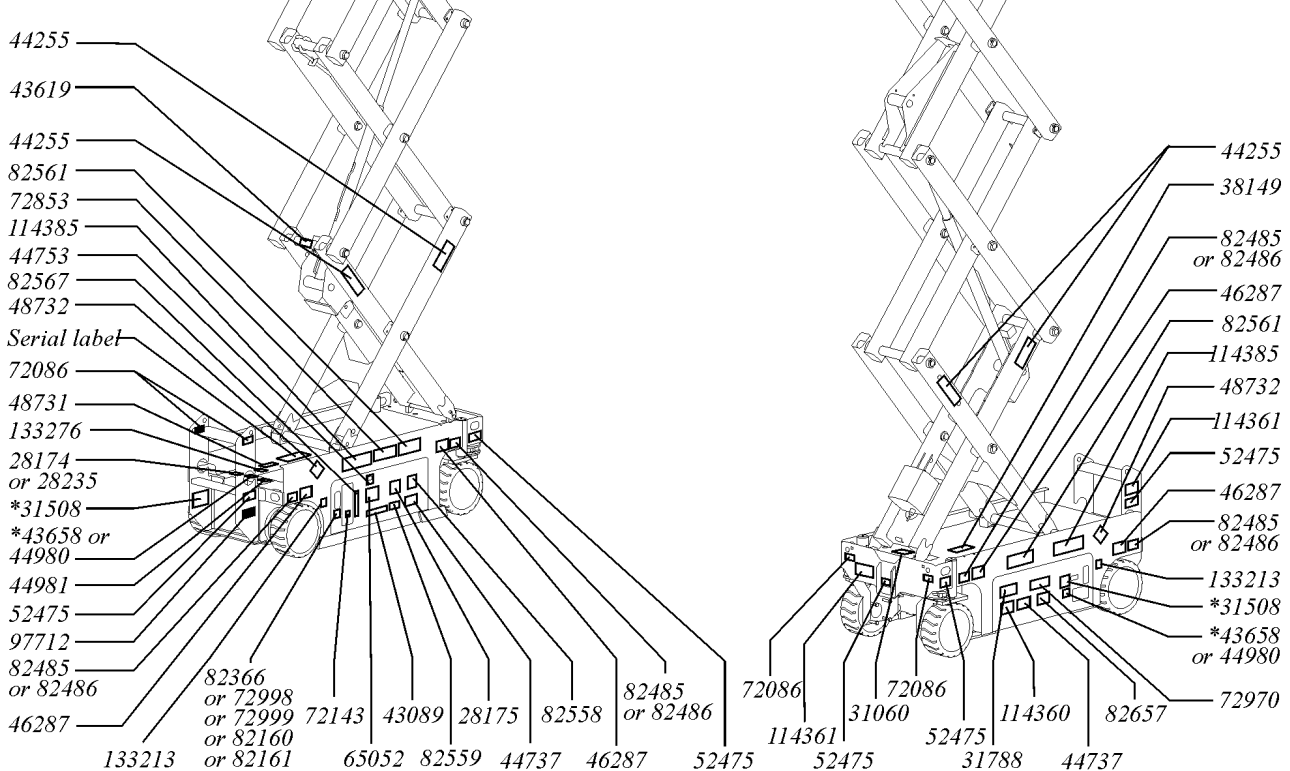


103.1 Decals with Words, GS-1530/1930 (North America) (from SN GS3007A-91732 to GS3010A-109999) and (from GS3007B-88080



Ground Control Side

Battery Side



103.1 Decals with Words, GS-1530/1930 (North America) (from SN GS3007A-91732 to GS3010A-109999) and (from GS3007B-88080

Item	Part No.	Description	Qty.	Item	Part No.	Description	Qty.
--	231558	DECAL KIT,1930 PLAT,WRD,ANSI <i>Platform Only kit for ANSI GS-1930</i>		23	48732	DECAL,LABEL,EE RATING.....2 <i>For EE Models Only</i>	
--	231559	DECAL KIT,1930 COMP,WRD,ANSI <i>Complete kit for ANSI GS-1930</i>		24	52475	DECAL,LABEL,TRANSPORT TIEDOWN*.....5	
1	28174	DECAL,POWER TO PLATFORM 230V.....2		25	62053	DECAL,COSMETIC,GENIE GS-1530**.....2	
2	28175	DECAL,WARNING-COMPART ACCESS.....1		26	62054	DECAL,COSMETIC,GENIE GS-1930**.....2	
3	28176	DECAL,LABEL,MANUAL NOT HERE.....1		27	65052	DECAL,LABEL,FAULT CODES.....2	
4	28235	DECAL,POWER TO PLATFORM 115V.....2		28	72086	DECAL,LABEL,LIFTING EYE.....4	
5	28236	DECAL,WARN,IMPROPER OPERATION.....1		29	72143	DECAL,EMERGENCY STOP,GR.....1	
6	31060	DECAL,DANGER DO NOT ALTER SWTC.....1		30	72853	DECAL,DANGER,IMPROPER USE HAZ.....1	
7	31508	DECAL,DANGER,ELECT HAZARD,PLUG.....1 <i>Found in one of two locations</i>		31	72970	DECAL,INSTRUCTIONS-CHARGER OP.....1	
8	31788	DECAL,DANGER,BATTERY SAFETY***.....1		32	72998	DECAL,LABEL,QUINTOLUBRIK.....1 <i>For Models with Quintolub Hydraulic Oil Only</i>	
9	38149	DECAL,LABEL,PATENTS.....1 <i>For Domestic only</i>		33	72999	DECAL,LABEL,PETRO CANADA***.....1 <i>For Models with Petro Canada Hydraulic Oil Only</i>	
10	40434	DECAL,LANYARD ANCHORAGE POINT.....3		34	82160	DECAL,LABEL,STATOIL HYDRA WAY.....1 <i>For Models with Statoil Hydraulic Oil Only</i>	
11	43089	DECAL,INSTRUCTIONS-OPER,GCP.1		35	82161	DECAL,LABEL,UCON HYDROLUBE.....1 <i>For Models with Ucon Hydrolube Hydraulic Oil Only</i>	
12	43093	DECAL,LABEL,TIRE SPECS.....4		36	82366	DECAL,LABEL-CHEVRON RANDO.....1 <i>For Models with Chevron Rando Hydraulic Oil Only</i>	
13	43618	DECAL,LABEL-DIRECTION ARROWS.....2		37	82485	DECAL,LABEL,WHEEL LOAD 1530.....4	
14	43619	DECAL,LABEL,SAFETY ARM.....1		38	82486	DECAL,LABEL,WHEEL LOAD 1930.....4	
15	43658	DECAL,LABEL,PWR TO CHARGR 230V.....2 <i>Found in one of two locations</i>		39	82557	DECAL,LABEL,PLAT CONT LOCATION.....1	
16	44255	DECAL,DANGER,CRUSHING HAZARD.....4		40	82558	DECAL,WARN,SKIN INJECTION HAZ*.....1	
17	44736	DECAL,DANGER,TIP-OVER,TILT....1		41	82559	DECAL,INSTRUCT-ANNUAL INSP REQ.....1	
18	44737	DECAL,DANGER,TIP-OVER,TRAYS.2		42	82561	DECAL,DANGER-USE SAFETY ARM.....2	
19	44753	DECAL, LABEL, LED READOUT.....1					
20	44980	DECAL,LABEL,PWR TO CHARGR 115V.....1 <i>Found in one of two locations</i>					
21	44981	DECAL,LABEL,AIRLINE 110 PSI.....2					
22	48731	DECAL,LABEL,FMRC APPROVED.....1 <i>For EE Models Only</i>					



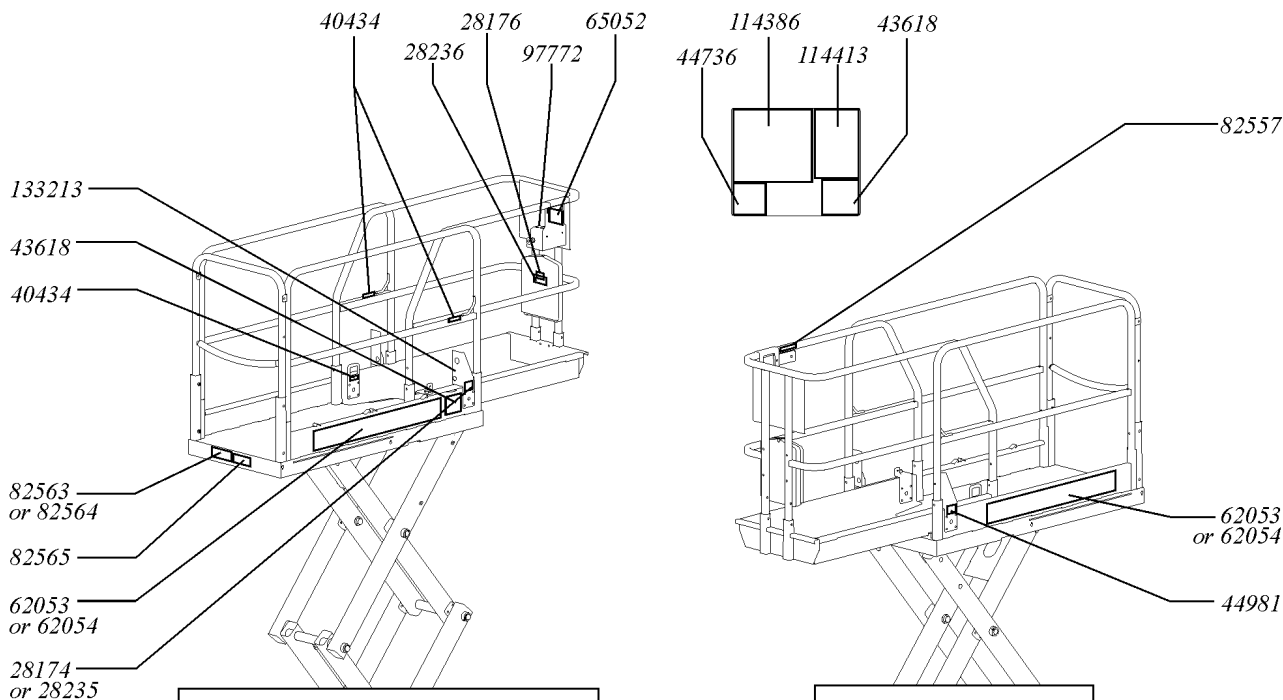
103.1 Decals with Words, GS-1530/1930 (North America) (from SN GS3007A-91732 to GS3010A-109999) and (from GS3007B-88080 (continued)

Item	Part No.	Description	Qty.
43	82563	DECAL, INSTR-MAX CAP 500 LBS.....1 <i>For GS1530 and GS1532 Models</i>	1
44	82564	DECAL, INSTR-MAX CAP 600LBS...1 <i>For GS1930 and GS1932 Models</i>	1
45	82565	DECAL, INSTR-SIDE FRC, ANSI.....1	1
46	82567	DECAL, GROUND CONTROL PANEL.....1	1
47	82657	DECAL, INSTRUCT, BATTERY CONNECT.....1	1
48	97712	DECAL, DANGER, BRAKE REL SAFETY*.....2	2
49	97772	DECAL, OVERLAY, PLAT CONTROLS***.....1	1
50	114360	DECAL, DANGER-TIP-OVER, BATT..1	1
51	114361	DECAL, LABEL-TRANSPORT DIGRAM.....2	2
52	114385	DECAL, DANGER, ELEC HAZARD, GS.....2	2
53	114386	DECAL, DANGER-GEN SAFETY.....1	1
54	114413	DECAL, NOTICE, OP INST-ANSI, GENV.....1	1
55	133213	DECAL, NOTICE-DO NOT OPEN DOOR.....3 <i>For EE Models Only From Serial Number GS3008B-95267</i>	3
56	133276	DECAL, DANGER, TIPOVER, TILT SYM.....1	1

103.1 Decals with Words, GS-1530/1930 (North America) (from SN GS3007A-91732 to GS3010A-109999) and (from GS3007B-88080 (continued)

This Page Intentionally Left Blank

103.1 Decals with Words, GS-1530/1930 (North America) (from SN GS3007A-91732 to GS3010A-109999) and (from GS3007B-88080)



Ground Control Side

Battery Side

