



A TEREX BRAND

Parts Manual

Serial Number Range

GS-2668 RT

from SN GS68-41200

GS-3268 RT

Part No. 84121

Rev E18

April 2012

Technical Publications

Genie Industries has endeavored to deliver the highest degree of accuracy possible. However, continuous improvement of our products is a Genie policy. Therefore, product specifications are subject to change without notice.

Readers are encouraged to notify Genie of errors and send in suggestions for improvement. All communications will be carefully considered for future printings of this and all other manuals.

Contact Us:

<http://www.genieindustries.com>
 e-mail: awp.techpub@terex.com

Serial Number Information


Genie Industries offers the following Parts Manuals for these models:

Title	Part No
Genie GS-2668 RT and GS-3268 RT Parts Manual (to serial number GS68-41199)	52301

Copyright © 1999 by Genie Industries

84121 Rev E July 2009
 Second Edition, Fifth Printing

"Genie" and "GS" are registered trademarks of Genie Industries in the USA and many other countries.

 Printed on recycled paper



Model: GS-3268
Serial number: GS6808-50630
Model year: 2008 **Manufacture date:** 10/02/07
Electrical schematic number: ES0141
Machine unladen weight: 2,714 lb / 1,231 kg

Rated work load (including occupants): 500 lb / 227 kg

Maximum allowable inclination of the chassis:
N/A

Gradeability: N/A

Maximum allowable side force : 100 lb / 445 N
Maximum number of platform occupants: 2

Country of manufacture: USA
This machine complies with:

ANSI A92.6
B354.2

Genie Industries
18340 NE 76th Street
Redmond, WA 98052
USA



11111111

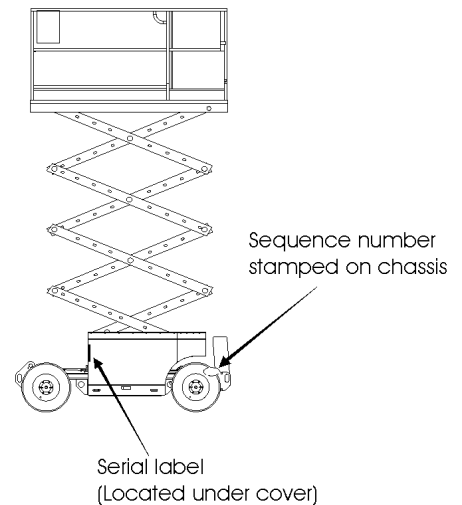
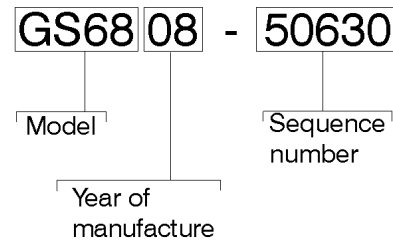
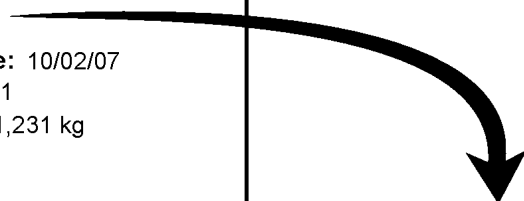


Table of Contents

This manual is updated frequently. If you have a printed manual, you can keep it up to date by downloading new figures from the Genie website at www.genielift.com. For the most up-to-date parts information, visit the Parts Lookup System on the Genie website at www.genielift.com.

How to Read Your Serial Number.....3
 Parts Stocking List.....7
 How to Order Parts.....8
 Service Parts Fax Order Form.....9

Electronic Version

Click on any page number to view the figure.

100 Decals

101.1 Decals with Words (to SN 42381).....10
 101.2 Decals with Words (from SN 42382 to 44988).....14
 101.3 Decals with Words (from SN 44989).....18
 102.1 Decals with Symbols (from SN 42382).....22

200 Drive Chassis Components

201.1 Steer Axle Linkage, Wheels and Drive Motors.....26
 202.1 Non-steer Axle and Drive Motors.....28
 203.1 Drive Chassis, Safety Components.....30

300 Engine Components

301.1 Kubota DF-752 Engine, View 1.....32
 302.1 Kubota DF-752 Engine, View 2.....34
 303.1 Kubota DF-752 Engine, View 3.....38
 304.1 Kubota DF-752 Engine, View 4.....40
 305.1 Kubota D-905 Engine, View 1 (to SN 52256).....42
 305.2 Kubota D-1105 Engine, View 1 (from SN 52257).....44
 306.1 Kubota D-905 Engine, View 2 (to SN 52256).....46
 306.2 Kubota D-1105 Engine, View 2 (from SN 52257).....48
 307.1 Kubota D-905 Engine, View 3 (to SN 52256).....50
 307.2 Kubota D-1105 Engine, View 3 (from SN 52257).....52
 308.1 Kubota D-905 Engine, View 4 (to SN 52256).....54
 308.2 Kubota D-1105 Engine, View 4 (from SN 52257).....56
 309.1 Perkins 403C-11 Engine, View 1 (to SN 52394).....58
 309.2 Perkins 403D-11 Engine, View 1 (from SN 52395).....60
 310.1 Perkins 403C-11 Engine, View 2 (to SN 52394).....62
 310.2 Perkins 403D-11 Engine, View 2 (from SN 52395).....64

400 Chassis Tray Components

401.1 Engine Tray Components.....66

402.1 Hydraulic Tank and Ground Controls Installation.....70
 403.1 Hydraulic Tray Components, View 1 (to SN 44770)....72
 403.2 Hydraulic Tray Components, View 1 (from SN 44771).....74
 404.1 Hydraulic Tray Components, View 2 (to SN 43183)....76
 404.2 Hydraulic Tray Components, View 2 (from SN 43184).....78
 405.1 Ground Controls (to SN 42381).....80
 405.2 Ground Controls (from SN 42382).....82
 406.1 LPG Tank Installation.....84
 407.1 Function Manifold (to SN 43621).....86
 407.2 Function Manifold (from SN 43622 to 44770).....88
 407.3 Function Manifold (from SN 44771).....90
 408.1 Chassis Cover Installation.....94
 409.1 Hydraulic Hoses and Fittings (to SN 41750).....96
 409.2 Hydraulic Hoses and Fittings (from SN 41751 to 42120).....100
 409.3 Hydraulic Hoses and Fittings (from SN 42121 to 43183).....104
 409.4 Hydraulic Hoses and Fittings (from SN 43184).....106
 410.1 Electrical Wiring and Power Cables.....110

500 Scissor Components

501.1 Scissor Components, View 1 - GS2668.....114
 502.1 Scissor Components, View 2 - GS-2668 (to SN 41750).....116
 502.2 Scissor Components, View 2 - GS-2668 (from SN 41751).....118
 503.1 Scissor Components, View 1 - GS-3268.....120
 504.1 Scissor Components, View 2 - GS-3268 (to SN 41750).....122
 504.2 Scissor Components, View 2 - GS-3268 (from SN 41751).....124

600 Platform Components

601.1 Platform Installation (to SN 41737).....126
 601.2 Platform Installation (from SN 41738).....128
 602.1 Platform Railing Installation (to SN 41737).....132
 602.2 Platform Railing Installation (from SN 41738).....134
 603.1 Platform Entry Gate (to SN 41737).....136
 603.2 Platform Entry Gate (from SN 41738).....138
 604.1 Platform Extension (to SN 41737).....140
 604.2 Platform Extension (from SN 41738).....142
 605.1 Platform Extension Deck Lock (to SN 41737).....144
 605.2 Platform Extension Deck Lock (from SN 41738).....146
 606.1 Power to Platform.....148
 607.1 Platform Controls (to SN 42381).....150
 607.2 Platform Controls (from SN 42382).....152
 608.1 Platform Controls Joystick (to SN 42381).....154

608.2 Platform Controls Joystick (from SN 42382).....156

700 Link Guard Components

701.1 Wire Mesh Link Guard Assembly, View 1.....158
 702.1 Wire Mesh Link Guard Assembly, View 2.....160
 703.1 Wire Mesh Link Guard Assembly, View 3.....162
 704.1 Wire Mesh Link Guard Assembly, View 4.....164
 705.1 Wire Mesh Link Guard Assembly, View 5.....166
 706.1 Rigid Link Guard Assembly, View 1.....168
 707.1 Rigid Link Guard Assembly, View 2.....170
 708.1 Rigid Link Guard Assembly, View 3.....172
 709.1 Steel Panel Link Guard Assembly.....174

800 Accessories

801.1 Flashing Beacon.....176
 802.1 Generator.....178
 803.1 Hydraulic Hoses and Fittings, Generator.....180
 804.1 Spare LPG Tank.....182
 805.1 Outrigger Installation (to SN 41645).....184
 805.2 Outrigger Installation (from SN 41646).....186
 806.1 Outrigger Cylinder and Footpad Installation.....188
 807.1 Outrigger Manifold.....190
 808.1 Hydraulic Hoses and Fittings, Outrigger.....192
 809.1 Platform Work Light.....194
 810.1 Pipe Cradle Assembly (to SN 52633).....196
 810.2 Pipe Cradle Assembly (from SN 52634).....198
 811.1 Platform Overload Sensor (to SN 41638).....200
 811.2 Platform Overload Sensor (from SN 41639 to
 42381).....202
 811.3 Platform Overload Sensor (from SN 42382 to
 44168).....204
 811.4 Platform Overload Sensor (from SN 44169).....206
 812.1 Oil Cooler Installation (from SN 41206).....208
 813.1 Hydraulic Hoses and Fittings, Oil Cooler.....210
 814.1 Cold Start Installation.....212

Indices

Part Number Index.....214
 Part Description Index.....220

Cross References

Fittings Cross Reference.....230

Required Parts

The following parts are required to perform maintenance procedures as outlined in the *Genie GS-2668 RT and GS-3268 RT Service Manual*.

Description	Part No.
Dielectric Grease	66399
Filter Element, 10 Micron.....	131323
O-ring Kit (for O-ring Face Seal Fitting)	49612
Plug and Cap Kit (for O-ring Face Seal Seainting	49613
Air Cleaner Element (Kubota DF-752).....	104710
Distributor Cap (Kubota DF-752).....	23465
Distributor Rotor (Kubota DF-752).....	52499
Engine Oil Filter (Kubota DF-752)	22106
Fan Belt (Kubota DF-752).....	52816
Fuel Filter (Kubota DF-752).....	23168
Spark Plug (Kubota DF-752)	23458
Air Cleaner Element (Kubota D-905)	31745
Engine Oil Filter (Kubota D-905)	31744
Fuel/Water Separator Element (Kubota D-905 and Perkins 403C-11)	65853
V-Belt (Kubota D-905).....	32196
Air Cleaner Element (Perkins 403C-11)	52867
Engine Oil Filter (Perkins 403C-11).....	94762
Fuel Filter (Perkins 403C-11)	62421
V-Belt (Perkins 403C-11).....	101328
Workshop Manual (Kubota DF-752).....	84249
Workshop Manual (Kubota DF-750).....	52492
Workshop Manual (Kubota D-905)	31742
Workshop Manual (Perkins 403C-11) (to SN GS6808-52394).....	84817
Workshop Manual (Perkins 403D-11) (from SN GS6808-52395).....	131662

Recommended Parts

Description	Part No.
Genie Blue Paint, 1 Gallon	32150
Genie Blue Paint, 12 Ounce Aerosol	1484
Genie Gray Paint, 1 Gallon.....	32151
Genie Gray Paint, 12 Ounce Aerosol	1268

Manuals

Genie Industries offers the following support documents for these models:

Title	Part No.
Genie GS-2668 RT and GS-3268 RT Operator's Manual (before serial number GS-41200).....	48735
Genie GS-2668 RT and GS-3268 RT Operator's Manual (from serial number GS-41200 to GS68-42381)	82233
Genie GS-2668 RT and GS-3268 RT Operator's Manual (from serial number GS68-42382 to GS68-44987)	82414
Genie GS-2668 RT and GS-3268 RT Operator's Manual (after serial number GS68-44987).....	1000189
Genie GS-2668 RT and GS-3268 RT Operator's Manual, CE models (from serial number GS68-42382 to GS68-44987)	82702
Genie GS-2668 RT and GS-3268 RT Operator's Manual, CE models (after serial number GS6805-44987).....	1000190
Genie GS-2668 RT and GS-3268 RT Service Manual (before serial number GS6805-44771).....	52302
Genie GS-2668 RT and GS-3268 RT Service Manual (after serial number GS6805-44770).....	112657
EMI Safety Manual	27581
Manual of Responsibilities ANSI A92.5	44163

How To Order Parts

Please be prepared with the following information when ordering replacement parts for your Terex or Genie product:

- Machine model number
- Machine serial number
- Part number
- Part description and quantity
- Purchase order number
- "Ship to" address
- Desired method of shipment
- Name and telephone number of the authorized distributor in your area

Use the Service Parts Fax Order Form on the next page and fax your order to our Parts Department.

If you don't know the name of your authorized distributor, or if your area is not currently serviced by an authorized distributor, please call Terex or Genie Industries.

Machine Information

Model

Serial Number

Date of Purchase

Authorized Genie Distributor

Phone Number

North America

Telephone (425) 556-6551
 Toll Free (877) 367-5606 in U.S.A. and Canada
 Fax (425) 556-8659
 Toll Free Fax (888) 274-6192

Europe

Parts Telephone (31) (165) 519 313
 Parts Fax (31) (165) 511 148

Australia

Parts Telephone (61) (7) 3456 4444
 Parts Fax (61) (7) 3456 4466

South America

Parts Telephone (55) (11) 4082 5600
 Parts Fax (55) (11) 4082 5630



Service Parts Fax Order Form

Fax to: (425) 556-8659 or Toll Free: 888-274-6192
International: +1-425-556-8659

Please fill out completely

Date _____ Account Number _____
 Your Name _____ Your Fax Number _____
 _____ Your Phone Number _____
 Bill To _____ Ship To _____

 Purchase Order Number _____ Ship Via _____

Model(s) _____ **Serial No.(s)** _____

Optional Equipment _____

Part Number	Description	Quantity	Price

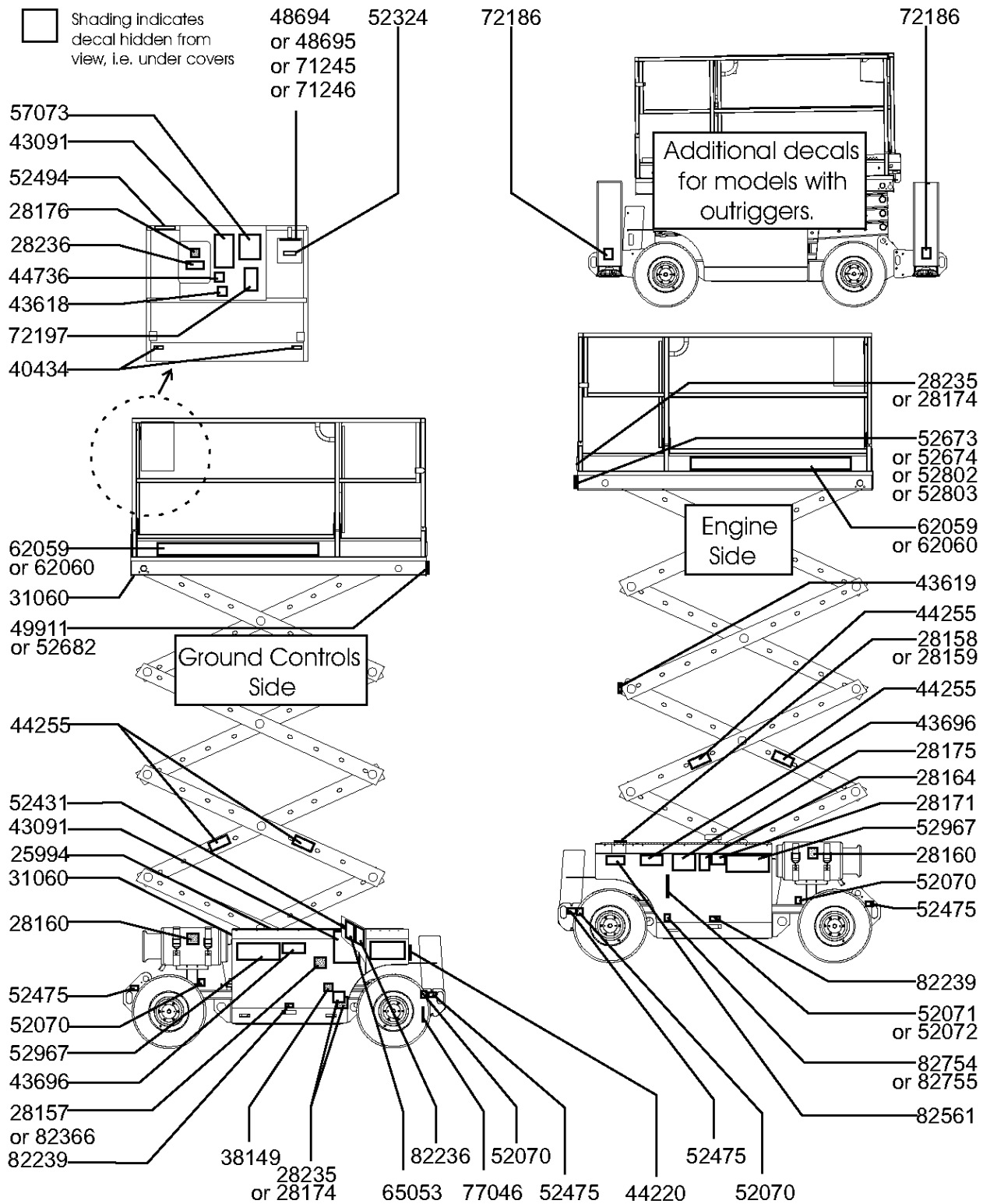
All back-ordered parts will be shipped when available via the same ship method as the original order unless Noted below:

- Ship complete order only - No back orders
- Ship all available parts and contact customer on disposition of back-ordered parts
- Other (please specify)



101.1 Decals with Words (to SN 42381)

☐ Shading indicates decal hidden from view, i.e. under covers



101.1 Decals with Words (to SN 42381)

Item	Part No.	Description	Qty.	Item	Part No.	Description	Qty.
--	84405	DECAL KIT,SFTY/INSTR.GAS,GS68 <i>(does not include items 2, 4, 8, 11, 14, 23, 24, 25, 27, 28, 34, 35, 36, 37, 38, 39, 40, 41, 43, 44, 45, 46, 48 and 49)</i>		19	43696	DECAL,DANGER,ELEC HAZARD,GS.....	2
--	84406	DECAL KIT,SFTY/INSTR.DIES,GS68 <i>(does not include items 1, 2, 3, 5, 8, 11, 14, 23, 24, 25, 27, 28, 34, 35, 36, 37, 38, 39, 40, 41, 43, 44, 45, 46, 48 and 49)</i>		20	44220	DECAL,DANGER,BRAKE REL SAFETY*.....	1
1	25994	DECAL,NOTICE,SHUTOFF VALVES.....	1	21	44255	DECAL,DANGER,CRUSHING HAZARD.....	4
2	28157	DECAL,USE DEXRON*** <i>(to SN 41708)</i>	1	22	44736	DECAL,DANGER,TIP-OVER,TILT....	1
3	28158	DECAL,LABEL,UNLEADED GAS ONLY..... <i>(gasoline/LPG models)</i>	1	23	48694	DECAL,PLAT CTRLS,G/LPG NO OUTR..... <i>(gasoline/LPG models without outriggers)</i>	1
4	28159	DECAL,LABEL,DIESEL FUEL..... <i>(diesel models)</i>	1	24	48695	DECAL,PLAT CTRLS,DSL NO OUTRGR..... <i>(diesel models without outriggers)</i>	1
5	28160	DECAL,LABEL,LIQUID PROPANE..... <i>(gasoline/LPG models, 1 additional with extra LPG tank option)</i>	1	25	49911	DECAL,NOTICE,MAX CAP 1250....	1
6	28164	DECAL,NOTICE,HAZARDOUS MAT'LS*.....	1	26	52070	DECAL,NOTICE,TIRE SPECS.....	4
7	28171	DECAL,DANGER,NO SMOKING***.....	1	27	52071	DECAL,NOTICE,KUBOTA GAS SPECS.....	1
8	28174	DECAL,POWER TO PLATFORM 230V.....	3	28	52072	DECAL,NOTICE,KUBOTA DIESEL SPEC.....	1
9	28175	DECAL,WARNING-COMPART ACCESS.....	1	29	52073	DECAL,NOTICE,OPER INST, PLAT.....	1
10	28176	DECAL,LABEL,MANUAL NOT HERE.....	1	30	52324	DECAL,LABEL,UP/DOWN & FNCTN EN.....	1
11	28235	DECAL,POWER TO PLATFORM 115V.....	3	31	52431	DECAL,LABEL,GROUND CONTROL PNL.....	1
12	28236	DECAL,WARN,IMPROPER OPERATION.....	1	32	52475	DECAL,LABEL,TRANSPORT TIEDOWN*.....	4
13	31060	DECAL,DANGER DO NOT ALTER SWTC.....	2	33	52494	DECAL,CAUTION,CRUSH HAZ, RAILS.....	1
14	38149	DECAL,LABEL,PATENTS..... <i>(ANSI)</i>	1	34	52673	DECAL,NOTICE,SIDE FRC,2668ANSI..... <i>(ANSI and CSA) (890 N)</i>	1
15	40434	DECAL,LANYARD ANCHORAGE POINT.....	2	35	52674	DECAL,NOTICE,SIDE FRC,2668,AUS..... <i>(Australia) (400 N)</i>	1
16	43091	DECAL,DANGER,GENERAL SAFETY.....	2	36	52682	DECAL,NOTICE,MAX CAP 1000/300..... <i>GS-3268 (454 kg)</i>	1
17	43618	DECAL,LABEL-DIRECTION ARROWS.....	1	37	52802	DECAL,NOTICE,SIDE FRC,3268ANSI..... <i>(ANSI and CSA) (890 N)</i>	1
18	43619	DECAL,LABEL,SAFETY ARM.....	1	38	52803	DECAL,NOTICE,SIDE FRC,3268,AUS..... <i>(90 lbs, 400 N)</i>	1
				39	52967	DECAL,COSMETIC,4 X 4.....	2

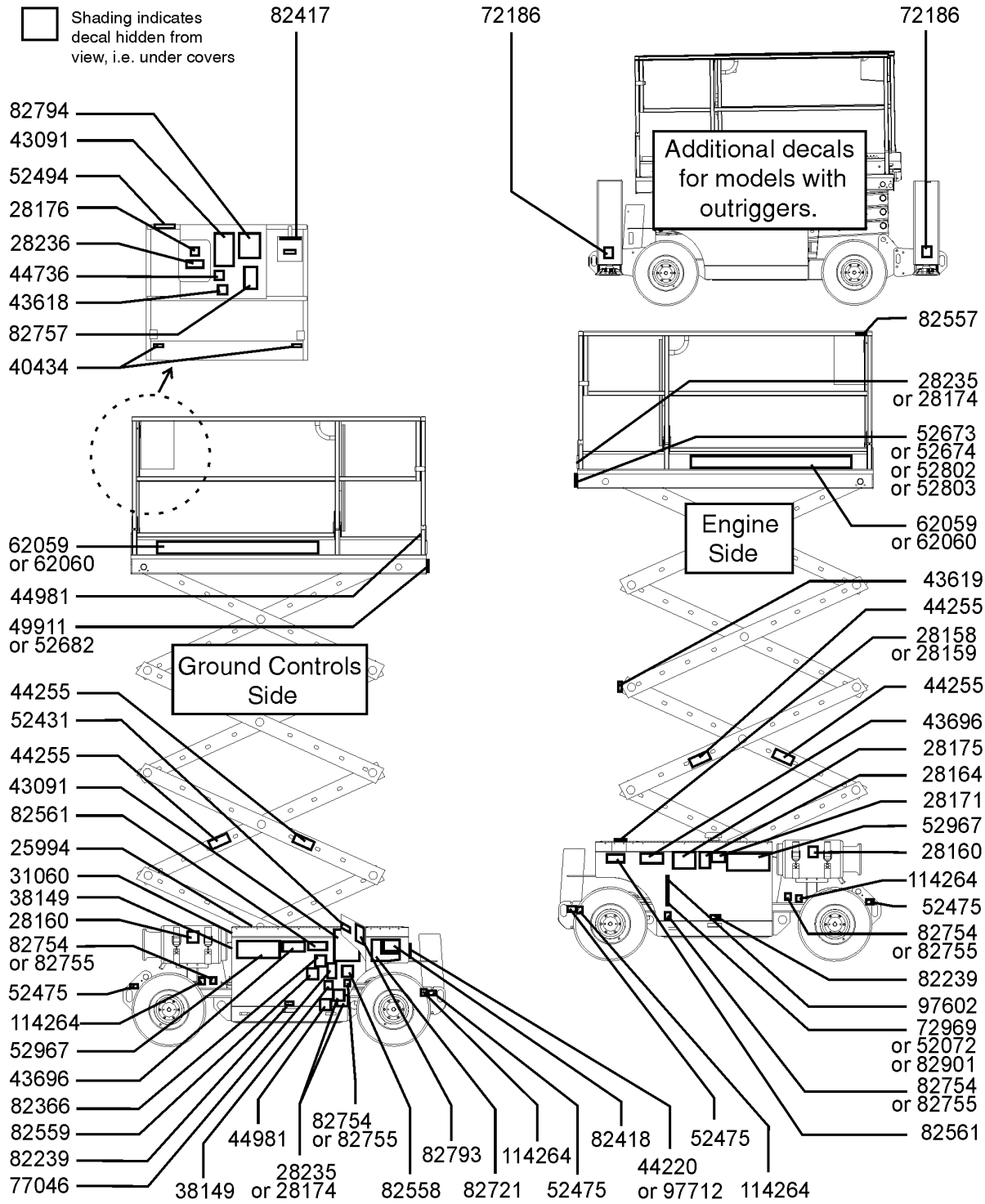


101.1 Decals with Words (to SN 42381)
(continued)

Item	Part No.	Description	Qty.
40	62059	DECAL,COSMETIC,GENIE GS-2668RT.....	2
41	62060	DECAL,COSMETIC,GENIE GS-3268RT.....	2
42	65053	DECAL,LABEL,FAULT CODES.....	1
43	71245	DECAL,PLAT CTRLS,G/LPG W OUTRG..... <i>(gasoline/LPG models with outriggers)</i>	1
44	71246	DECAL,PLAT CTRLS,DSL W OUTRG..... <i>(diesel models with outriggers)</i>	1
45	72186	DECAL,CAUTION,CRUSHING HAZARD.....	4
46	72197	DECAL,DANGER,OUTRIGGER SAFETY.....	1
47	72853	DECAL,DANGER,IMPROPER USE HAZ.....	1
48	72989	DECAL,GRND CTRL PANEL.....	1
49	77046	SERIAL # LABEL,MYLAR 4X8***.....	1
50	82236	DECAL,NOTICE,OPER INST, GRND.....	1
51	82239	DECAL,LABEL,LATCH.....	2
52	82366	DECAL,LABEL-CHEVRON RANDO..... <i>(from SN 41709)</i>	1

This Page Intentionally Left Blank

101.2 Decals with Words (from SN 42382 to 44988)



101.2 Decals with Words (from SN 42382 to 44988)

Item	Part No.	Description	Qty.	Item	Part No.	Description	Qty.
--	84749	DECAL KIT,SFTY/INST. WRD. GS68 <i>(includes items 5, 6, 8, 9, 11, 12, 14-19, 20, 21-23, 26-28, 41, 42, 45, 46-49, 53, 54 and 56) (from SN 42382 to 43183)</i>		18	43696	DECAL,DANGER,ELEC HAZARD,GS.....	2
--	97364	DECAL KIT,SAFETY/INST,WRD,GS68 <i>(includes items 5, 6, 8, 9, 11, 12, 14-18, 20, 21-23, 26-28, 41, 42, 45, 46-49, 53, 54, 56 and 57) (from SN 43184)</i>		19	44220	DECAL,DANGER,BRAKE REL SAFETY*..... <i>(to SN 43183)</i>	1
1	25994	DECAL,NOTICE,SHUTOFF VALVES..... <i>(to SN 43317)</i>	1	20	44255	DECAL,DANGER,CRUSHING HAZARD.....	4
2	28158	DECAL,LABEL,UNLEADED GAS ONLY..... <i>(gasoline/LPG models)</i>	1	21	44736	DECAL,DANGER,TIP-OVER,TILT....	1
3	28159	DECAL,LABEL,DIESEL FUEL..... <i>(diesel models)</i>	1	22	44981	DECAL,LABEL,AIRLINE 110 PSI..... <i>(7.6 bar)</i>	2
4	28160	DECAL,LABEL,LIQUID PROPANE..... <i>(gasoline/LPG models) (1 additional with extra LPG tank option)</i>	1	23	49911	DECAL,NOTICE,MAX CAP 1250..... GS-2668	1
5	28164	DECAL,NOTICE,HAZARDOUS MAT'LS*.....	1	24	52070	DECAL,NOTICE,TIRE SPECS..... GS-3268	4
6	28171	DECAL,DANGER,NO SMOKING***.....	1	25	52072	DECAL,NOTICE,KUBOTA DIESEL SPEC.....	1
7	28174	DECAL,POWER TO PLATFORM 230V.....	3	26	52431	DECAL,LABEL,GROUND CONTROL PNL.....	1
8	28175	DECAL,WARNING-COMPART ACCESS.....	1	27	52475	DECAL,LABEL,TRANSPORT TIEDOWN*.....	4
9	28176	DECAL,LABEL,MANUAL NOT HERE.....	1	28	52494	DECAL,CAUTION,CRUSH HAZ, RAILS.....	1
10	28235	DECAL,POWER TO PLATFORM 115V.....	3	29	52673	DECAL,NOTICE,SIDE FRC,2668ANSI..... <i>(ANSI and CSA) (890 N)</i>	1
11	28236	DECAL,WARN,IMPROPER OPERATION.....	1	30	52674	DECAL,NOTICE,SIDE FRC,2668,AUS..... <i>(Australia) (90 lbs, 400 N)</i>	1
12	31060	DECAL,DANGER DO NOT ALTER SWTC.....	2	31	52682	DECAL,NOTICE,MAX CAP 1000/300..... GS-3268 (454 kg)	1
13	38149	DECAL,LABEL,PATENTS.....	1	32	52802	DECAL,NOTICE,SIDE FRC,3268ANSI..... <i>(ANSI and CSA) (890 N)</i>	1
14	40434	DECAL,LANYARD ANCHORAGE POINT.....	2	33	52803	DECAL,NOTICE,SIDE FRC,3268,AUS..... <i>(Australia) (400 N)</i>	1
15	43091	DECAL,DANGER,GENERAL SAFETY.....	2	34	52967	DECAL,COSMETIC,4 X 4..... GS-2668	2
16	43618	DECAL,LABEL-DIRECTION ARROWS.....	1	35	62059	DECAL,COSMETIC,GENIE GS-2668RT.....	2
17	43619	DECAL,LABEL,SAFETY ARM.....	1	36	62060	DECAL,COSMETIC,GENIE GS-3268RT.....	2
				37	72186	DECAL,CAUTION,CRUSHING HAZARD.....	4
				38	72969	DECAL,NOTICE,KUBOTA GAS SPECS.....	1



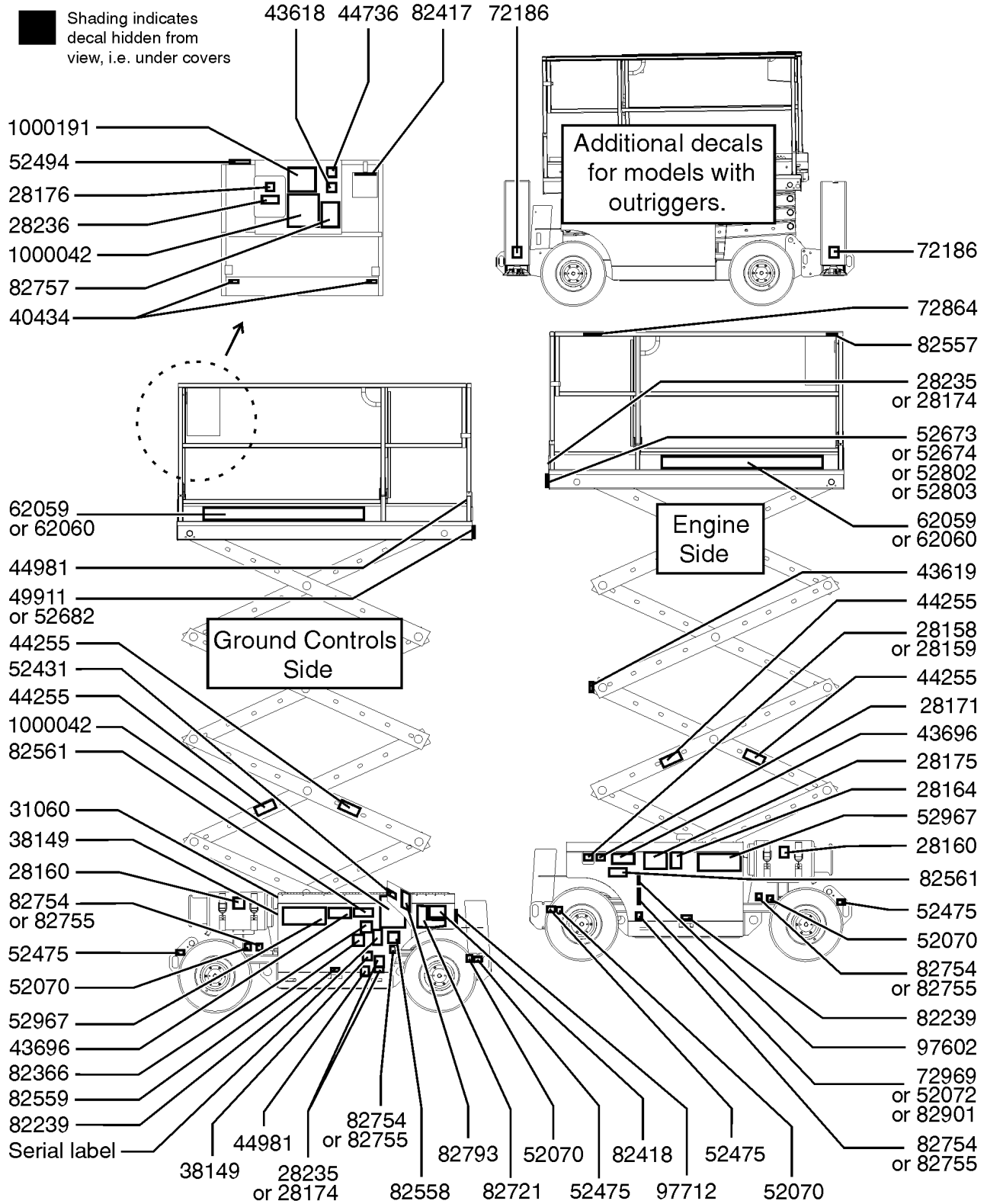
101.2 Decals with Words (from SN 42382 to 44988)
(continued)

Item	Part No.	Description	Qty.
39	77046	SERIAL # LABEL,MYLAR 4X8***.....1	1
40	82239	DECAL,LABEL,LATCH.....2	2
41	82366	DECAL,LABEL-CHEVRON RANDO.....1	1
42	82417	DECAL,PLATFORM CONTROL PANEL.....1	1
43	82418	DECAL,GROUND CONTROL PANEL.....1	1
44	82557	DECAL,LABEL,PLAT CONT LOCATION.....1	1
45	82558	DECAL,WARN,SKIN INJECTION HAZ*.....1	1
46	82559	DECAL,INSTRUCT-ANNUAL INSP REQ.....1	1
47	82561	DECAL,DANGER-USE SAFETY ARM.....2	2
48	82721	DECAL,GROUND CONTROL PANEL.....1	1
49	82754	DECAL,LABEL,WHEEL LD,GS2668RT.....4	4
50	82755	DECAL,LABEL,WHEEL LOAD,GS-3268.....4	4
51	82757	DECAL,DANGER,OUTRIGGER SAFETY.....1	1
52	82793	DECAL,NOTICE,OP INST,GROUND.....1	1
53	82794	DECAL,NOTICE,OP INST,PLATFORM.....1	1
54	82901	DECAL,NOTICE PERKINS ENGINE SP.....1	1
55	97602	DECAL,WARNING,EXPLOSION,ETHER.1	1
56	97712	DECAL,DANGER,BRAKE REL SAFETY*.....1 (from SN 43184)	1
57	114264	DECAL,NOTICE,TIRE SPECS.....4 GS-2668	4

This Page Intentionally Left Blank

101.3 Decals with Words (from SN 44989)

Shading indicates decal hidden from view, i.e. under covers



101.3 Decals with Words (from SN 44989)

Item	Part No.	Description	Qty.	Item	Part No.	Description	Qty.
--	131339	DECAL KIT,SAFETY/INSTR,GS68 <i>(includes items 4, 5, 7, 8, 10, 11, 13-17, 18, 19, 22, 24-26, 38, 39, 42, 43-46, 50, 51, and 54)</i>		22	52070	DECAL,NOTICE,TIRE SPECS.....	4
1	28158	DECAL,LABEL,UNLEADED GAS ONLY..... <i>(gasoline/LPG models)</i>	1	23	52072	DECAL,NOTICE,KUBOTA DIESEL SPEC.....	1
2	28159	DECAL,LABEL,DIESEL FUEL..... <i>(diesel models)</i>	1	24	52431	DECAL,LABEL,GROUND CONTROL PNL.....	1
3	28160	DECAL,LABEL,LIQUID PROPANE..... <i>(gasoline/LPG models) (1 additional with extra LPG tank option)</i>	1	25	52475	DECAL,LABEL,TRANSPORT TIEDOWN*.....	4
4	28164	DECAL,NOTICE,HAZARDOUS MAT'LS*.....	1	26	52494	DECAL,CAUTION,CRUSH HAZ, RAILS.....	1
5	28171	DECAL,DANGER,NO SMOKING***.....	1	27	52673	DECAL,NOTICE,SIDE FRC,2668ANSI..... <i>(ANSI and CSA) (200 lbs, 890 N)</i>	1
6	28174	DECAL,POWER TO PLATFORM 230V.....	3	28	52674	DECAL,NOTICE,SIDE FRC,2668,AUS..... <i>(90 lbs, 400 N)</i>	1
7	28175	DECAL,WARNING-COMPART ACCESS.....	1	29	52682	DECAL,NOTICE,MAX CAP 1000/300..... <i>GS-3268 (454 kg)</i>	1
8	28176	DECAL,LABEL,MANUAL NOT HERE.....	1	30	52802	DECAL,NOTICE,SIDE FRC,3268ANSI..... <i>(ANSI and CSA) (890 N)</i>	1
9	28235	DECAL,POWER TO PLATFORM 115V.....	3	31	52803	DECAL,NOTICE,SIDE FRC,3268,AUS..... <i>(Australia) (400 N)</i>	1
10	28236	DECAL,WARN,IMPROPER OPERATION.....	1	32	52967	DECAL,COSMETIC,4 X 4.....	2
11	31060	DECAL,DANGER DO NOT ALTER SWTC.....	2	33	62059	DECAL,COSMETIC,GENIE GS-2668RT.....	2
12	38149	DECAL,LABEL,PATENTS.....	1	34	62060	DECAL,COSMETIC,GENIE GS-3268RT.....	2
13	40434	DECAL,LANYARD ANCHORAGE POINT.....	2	35	72186	DECAL,CAUTION,CRUSHING HAZARD.....	4
14	1000042	DECAL,DANGER,GENERAL SAFETY.....	2	36	72969	DECAL,NOTICE,KUBOTA GAS SPECS.....	1
15	43618	DECAL,LABEL-DIRECTION ARROWS.....	1	37	77046	SERIAL # LABEL,MYLAR 4X8***.....	1
16	43619	DECAL,LABEL,SAFETY ARM.....	1	38	82239	DECAL,LABEL,LATCH.....	2
17	43696	DECAL,DANGER,ELEC HAZARD,GS.....	2	39	82366	DECAL,LABEL-CHEVRON RANDO.....	1
18	44255	DECAL,DANGER,CRUSHING HAZARD.....	4	40	82417	DECAL,PLATFORM CONTROL PANEL.....	1
19	44736	DECAL,DANGER,TIP-OVER,TILT....	1	41	82418	DECAL,GROUND CONTROL PANEL.....	1
20	44981	DECAL,LABEL,AIRLINE 110 PSI..... <i>(7.6 bar)</i>	2	42	82557	DECAL,LABEL,PLAT CONT LOCATION.....	1
21	49911	DECAL,NOTICE,MAX CAP 1250..... <i>GS-2668</i>	1	43	82558	DECAL,WARN,SKIN INJECTION HAZ*.....	1



101.3 Decals with Words (from SN 44989)
(continued)

Item	Part No.	Description	Qty.
44	82559	DECAL,INSTRUCT-ANNUAL INSP REQ.....	1
45	82561	DECAL,DANGER-USE SAFETY ARM.....	2
46	82721	DECAL,GROUND CONTROL PANEL.....	1
47	82754	DECAL,LABEL,WHEEL LD,GS2668RT.....	4
48	82755	DECAL,LABEL,WHEEL LOAD,GS-3268.....	4
49	82757	DECAL,DANGER,OUTRIGGER SAFETY.....	1
50	82793	DECAL,NOTICE,OP INST,GROUND.....	1
51	1000191	DECAL,NOTICE,INST,PLAT-GS68RT.	1
52	82901	DECAL,NOTICE PERKINS ENGINE SP.....	1
53	97602	DECAL,WARNING,EXPLOSION,ETHER.	1
54	97712	DECAL,DANGER,BRAKE REL SAFETY*.....	1
55	72864	DECAL,WARNING,PIPE CRADLE,SCIS.....	2