



A TEREX BRAND

Parts Manual

Serial Number Range

GS-84

from GS8406-40833

GS-90

from GS9006-42686

Part No. 84824

Rev D7

April 2012

Technical Publications

Genie Industries has endeavored to deliver the highest degree of accuracy possible. However, continuous improvement of our products is a Genie policy. Therefore, product specifications are subject to change without notice.

Readers are encouraged to notify Genie of errors and send in suggestions for improvement. All communications will be carefully considered for future printings of this and all other manuals.

Contact Us:

<http://www.genieindustries.com>
 e-mail: awp.techpub@terex.com

Serial Number Information


Genie Industries offers the following Parts Manuals for these models:

Title	Part No
Genie GS-3390, GS-4390 and GS-5390 Parts Manual, First Edition (from serial number 40001 to GS9005-42685).....	65758
Genie GS-3384 Parts Manual, First Edition (from serial number 40001 to GS8405-40832).....	84127

Copyright © 2001 by Genie Industries

84824 Rev D February 2011
 Second Edition, Fourth Printing

"Genie" and "GS" are registered trademarks of Genie Industries in the USA and many other countries.

 Printed on recycled paper

Genie

Model: GS-1930
Serial number: GS9009-51555
Model year: 2005 Manufacture date: 04/12/09
Electrical schematic number: ES0141
Machine unladen weight: 2,714 lb / 1,231 kg

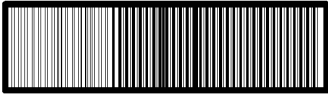
Rated work load (including occupants): 500 lb / 227 kg
Maximum allowable inclination of the chassis:
N/A

Gradeability: N/A

Maximum allowable side force : 100 lb / 445 N
Maximum number of platform occupants:2

Country of manufacture: USA
This machine complies with:
ANSI A92.6
B354.2

Genie Industries
18340 NE 76th Street
Redmond, WA 98052
USA



|| ||| ||||

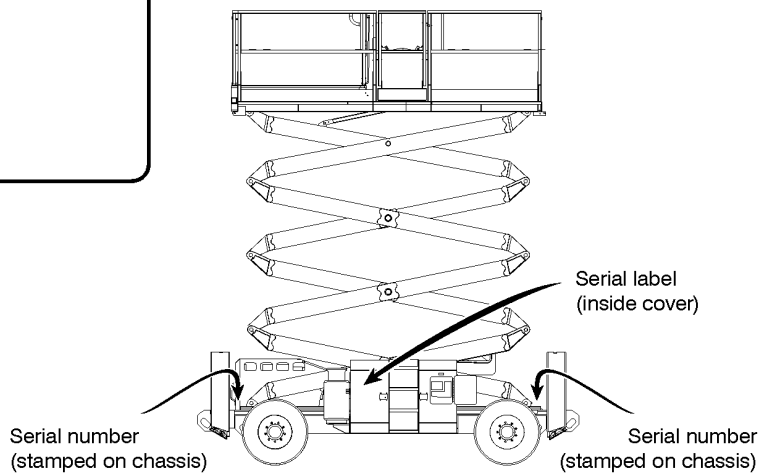
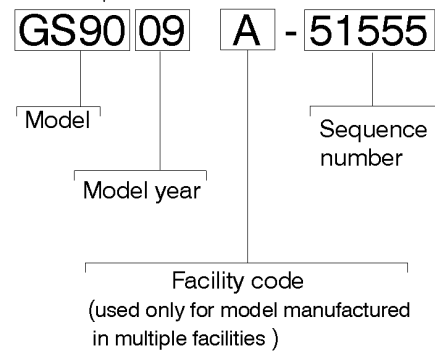


Table of Contents

This manual is updated frequently. If you have a printed manual, you can keep it up to date by downloading new figures from the Genie website at www.genielift.com. For the most up-to-date parts information, visit the Parts Lookup System on the Genie website at www.genielift.com.

How to Read Your Serial Number.....3
 Parts Stocking List.....7
 How to Order Parts.....8
 Service Parts Fax Order Form.....9

Electronic Version

Click on any page number to view the figure.

100 Decals

101.1 Decals with Words.....10
 102.1 Decals with Symbols.....14

200 Drive Chassis Components

201.1 Steer Axle Linkage, Wheels and Drive Hubs - GS-3384.....18
 202.1 Steer Axle and Linkage, Wheels and Drive Hubs - GS-3390, GS-4390 and GS-5390.....20
 203.1 Steer Axle, Oscillate (option) - GS-3390, GS-4390 and GS-5390.....22
 204.1 Non-steer Axle, Wheels and Drive Hubs (all models).....24
 205.1 Drive Manifold (all models).....26
 206.1 Function Manifold, Models with Outriggers (all models).....28
 207.1 Function Manifold, Models without Outriggers (all models).....30
 208.1 Oscillate Manifold (option) - GS-3390, GS-4390 and GS-5390.....32
 209.1 Hydraulic Hoses and Fittings, Function Manifold - GS-3384 (to SN 41485).....34
 209.2 Hydraulic Hoses and Fittings, Function Manifold - GS-3384 (from SN 41486).....36
 210.1 Hydraulic Hoses and Fittings, Function Manifold - GS-3390, GS-4390 and GS-5390 (to SN 44659).....38
 210.2 Hydraulic Hoses and Fittings, Function Manifold - GS-3390, GS-4390 and GS-5390 (from SN 44660).....40
 211.1 Hydraulic Hoses and Fittings, 4WD Manifold - GS-3384.....42
 212.1 Hydraulic Hoses and Fittings, 4WD Manifold - GS-3390, GS-4390 and GS-5390.....46

213.1 Hydraulic Hoses and Fittings, Oscillate Manifold (option) - GS-3390, GS-4390 and GS-5390.....50
 214.1 Electrical Wiring (all models).....52
 215.1 Power Cables (all models).....60

300 Engine Components

301.1 Ford LRG-425 EFI Engine, View 1 (GS-84 to SN 41196 and GS-90 to SN 43480).....62
 302.1 Ford LRG-425 EFI Engine, View 2 (GS-84 to SN 41196 and GS-90 to SN 43480).....64
 303.1 Ford LRG-425 EFI Engine, View 3 (GS-84 to SN 41196 and GS-90 to SN 43480).....68
 304.1 Ford LRG-425 EFI Engine, View 4 (GS-84 to SN 41196 and GS-90 to SN 43480).....70
 305.1 Deutz F3L 201/ D2011L03i Engine, View 1.....72
 305.1 Deutz F3L 2011/ D2011L03i Engine, View 1.....76
 306.1 Deutz F3L 2011/ D2011L03i Engine, View 2.....80
 307.1 Deutz F3L 2011/ D2011L03i Engine, View 3.....82
 308.1 Ford DSG-423 Engine Assembly, View 1 (GS-84 from SN 41197 and GS-90 from SN 43481).....84
 309.1 Ford DSG-423 Engine Assembly, View 2 (GS-84 from SN 41197 and GS-90 from SN 43481).....86
 310.1 Ford DSG-423 Engine Assembly, View 3 (GS-84 from SN 41197 and GS-90 from SN 43481).....88
 311.1 Ford DSG-423 Engine Assembly, View 4 (GS-84 from SN 41197 and GS-90 from SN 43481).....92

400 Engine and Chassis Tray Components

401.1 Engine Tray Components (all models).....96
 402.1 Engine Cover Components (all models).....98
 403.1 Cable Track Components (all models).....100
 404.1 Fuel and Hydraulic Tank Installation, Diesel models.102
 405.1 Fuel and Hydraulic Tank Installation, Gasoline/LPG models (GS-84 to SN 41600 and GS-90 to SN 45256).....104
 405.2 Fuel and Hydraulic Tank Installation, Gasoline/LPG models (GS-84 from SN 41601 and GS-90 from SN 45257).....106
 406.1 Fuel and Hydraulic Tank Tray Components (all models).....108
 407.1 Fuel Pump Installation, Gasoline/LPG models (GS-84 to SN 41196 and GS-90 to SN 43480).....110
 407.2 Fuel Pump Installation, Gasoline/LPG models (GS-84 from SN 41197 and GS-90 from SN 43481).....112
 408.1 Ground Controls (all models).....114
 409.1 Drive Chassis Trays (all models).....116
 410.1 Hydraulic Tray, View 1 (all models).....118
 411.1 Hydraulic Tray, View 2 (all models).....120
 412.1 Filters and Accumulator Installation (all models).....122

500 Scissor Components

501.1 Scissor Components, View 1 (all models).....124

502.1 Scissor Components, View 2 (GS-84 to SN GS84-41485 and GS-90 to SN 44659).....128

502.2 Scissor Components, View 2 (GS-84 from SN GS84-41486 and GS-90 from SN 44660).....130

503.1 Scissor Components, View 3.....132

504.1 Scissor Components, View 4 - GS-3384 and GS-3390.....134

505.1 Scissor Components, View 5 - GS-4390.....136

506.1 Scissor Components, View 6 - GS-5390.....138

507.1 Scissor Components, View 7 (all models).....140

600 Platform Components

601.1 Platform Installation (all models).....142

602.1 Platform Rails and Entry Gates Installation (all models).....148

603.1 Platform Extension Deck, Steer End (all models).....150

604.1 Platform Extension Deck, Non-steer End, View 1 (all models).....152

605.1 Platform Extension Deck, Non-steer End, View 2 (all models).....154

606.1 Platform Extension Deck, Non-steer End, View 3 (all models).....156

607.1 Platform End Rail Installation (all models with single deck).....158

608.1 Platform Floor Installation and Super Deck Roller Brackets (all models).....160

609.1 Platform Controls Installation (all models).....162

610.1 Platform Controls (all models).....164

611.1 Joystick Controller (all models).....166

700 Accessories

701.1 Power to Platform (all models).....168

702.1 Hydraulic Hoses and Fittings, Outriggers (all models).....170

703.1 Outrigger Cylinder and Footpad Assembly (all models).....172

704.1 Outrigger Components, View 1 (GS-84 to SN GS84-41519 and GS-90 to SN GS90-44883).....174

704.2 Outrigger Components, View 1 (GS-84 from SN GS84-41520 and GS-90 from SN GS90-44884).....176

705.1 Outrigger Components, View 2 (all models).....178

706.1 Link Guard Assembly - GS-3384 and GS-3390.....180

707.1 Link Guard Assembly - GS-4390 and GS-5390.....182

708.1 Generator (all models).....184

709.1 Hydraulic Hoses and Fittings, Generator option (all models).....186

710.1 Hydraulic Hoses and Fittings, Oscillate Manifold with Generator option, GS-90.....188

711.1 Flashing Beacon (all models).....190

712.1 Oil Cooler (all models).....192

713.1 Hydraulic Hoses and Fittings, Oil Cooler (GS-84 to SN GS84-41981 and GS-90 to SN GS90-46938).....194

713.2 Hydraulic Hoses and Fittings, Oil Cooler (GS-84 from SN GS84-41982 and GS-90 from SN GS90-46939).....196

714.1 Air Line to Platform (all models).....198

715.1 Work Light (all models) (before SN GS8409-42003, GS9009-47219).....200

716.1 Spare LPG Tank (all models).....202

717.1 Pipe Cradle (all models) (to SN GS8409-41999 and GS9009-47085).....204

717.2 Pipe Cradle (all models) (from SN GS8409-42000 and GS9009-47086).....206

718.1 Cold Start Package, Ford and Deutz Engines (all models).....208

719.1 Non-steer Axle, Oscillate option - GS-3390, GS-4390 and GS-5390.....210

720.1 Welder Option, Generator Components (all models).....212

721.1 Welder Option, Hydraulic Hoses and Fittings (all models).....216

722.1 Welder Option, Platform Components (all models).....218

800 Platform Overload Components

801.1 Platform Overload Components (GS-84 to SN GS84-41485 and GS-90 to SN GS90-44659).....220

801.2 Platform Overload Components (GS-84 from SN GS84-41486 and GS-90 from SN GS90-44660).....222

802.1 Platform Overload Plumbing Components (GS-84 to SN GS84-41485 and GS-90 to SN GS90-44659).....224

802.2 Platform Overload Plumbing Components (GS-84 from SN GS84-41486 and GS-90 from SN GS90-44660).....226

Indices

Part Number Index.....228

Part Description Index.....234

Cross References

Fittings Cross Reference.....244

Required Parts

The following parts are required to perform maintenance procedures as outlined in the *Genie GS-84 and GS-90 Service Manual*.

Ford Models

Description	Part No.
Operation Manual, Ford LRG-425	84792
Pre-filter, Fuel	52179
Fuel Pressure Regulator Filter.....	58967
Engine Oil Filter	28656
Air Filter Element.....	77295
Serpentine Belt.....	52580
PCV Valve.....	33957
Spark Plug, Pack of 4	106490
Hydraulic Filter Element (GS-84 to SN 41864) and GS-90 to SN 46287)	52465
Hydraulic Filter Element (GS-84 from SN 41865) and GS-90 from SN 46288).....	131323
Hydraulic High Pressure Filter Element.....	60857
Dielectric Grease.....	66399

Deutz Models

Description	Part No.
Operation Manual, Deutz 2011.....	84794
Air Filter Element.....	77295
Fuel Filter/Water Separator	29560
Engine Oil Filter.....	49924
V-belt.....	32698
Hydraulic Filter Element (GS-84 to SN 41864) and GS-90 to SN 46287)	52465
Hydraulic Filter Element (GS-84 from SN 41865) and GS-90 from SN 46288).....	131323
Hydraulic High Pressure Filter Element.....	60857
Dielectric Grease.....	66399

Recommended Parts

Description	Part No.
Genie Blue Paint, 1 Gallon	32150
Genie Blue Paint, 12 Ounce Aerosol.....	1484
Genie Gray Paint, 1 Gallon.....	32151
Genie Gray Paint, 12 Ounce Aerosol	1268

Manuals

Genie Industries offers the following support documents for these models:

Title	Part No.
Genie GS-3384 Operator's Manual (ANSI and CSA models) (before serial number GS8406-40966).....	82415
(after serial number GS8406-40965).....	100196
Genie GS-3390, GS-4390 and GS5390 Operator's Manual (ANSI and CSA models) (before serial number GS9006-42905).....	82415
(after serial number GS9006-42904).....	1000196
Genie GS-3384 Operator's Manual (CE model) (before serial number GS8406-40966).....	82828
(after serial number GS8406-40965).....	1000197
Genie GS-3390, GS-4390 and GS-5390 Operator's Manual (CE model) (before serial number GS9006-42905).....	82828
(after serial number GS9006-42904).....	1000197
Genie GS-84 and GS-90 Service Manual.....	84793
EMI Safety Manual	27581
Manual of Responsibilities ANSI A92.6	44163

How To Order Parts

Please be prepared with the following information when ordering replacement parts for your Terex or Genie product:

- Machine model number
- Machine serial number
- Part number
- Part description and quantity
- Purchase order number
- "Ship to" address
- Desired method of shipment
- Name and telephone number of the authorized distributor in your area

Use the Service Parts Fax Order Form on the next page and fax your order to our Parts Department.

If you don't know the name of your authorized distributor, or if your area is not currently serviced by an authorized distributor, please call Terex or Genie Industries.

Machine Information

Model

Serial Number

Date of Purchase

Authorized Genie Distributor

Phone Number

North America

Telephone (425) 556-6551
 Toll Free (877) 367-5606 in U.S.A. and Canada
 Fax (425) 556-8659
 Toll Free Fax (888) 274-6192

Europe

Parts Telephone (31) (165) 519 313
 Parts Fax (31) (165) 511 148

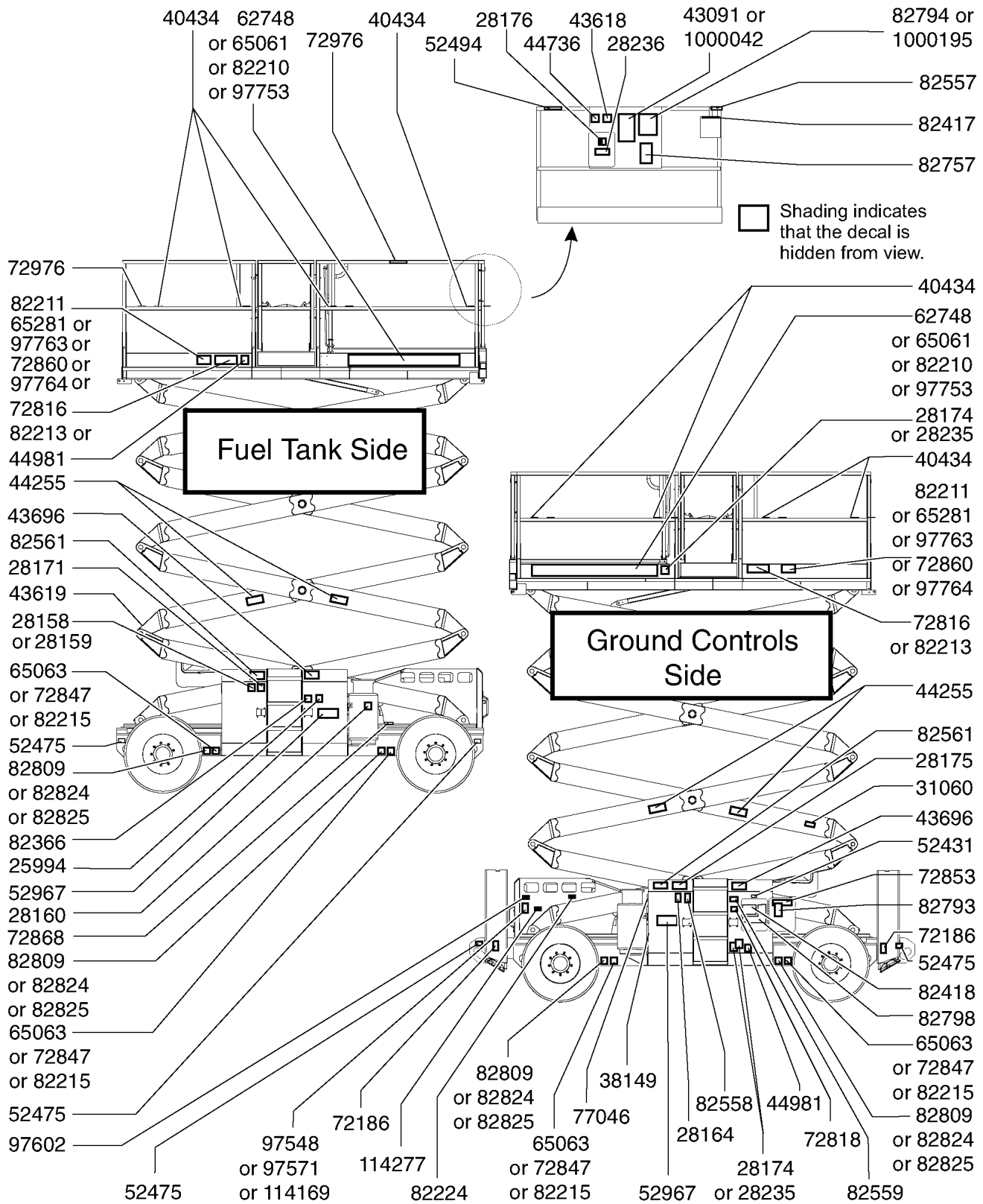
Australia

Parts Telephone (61) (7) 3456 4444
 Parts Fax (61) (7) 3456 4466

South America

Parts Telephone (55) (11) 4082 5600
 Parts Fax (55) (11) 4082 5630

101.1 Decals with Words



101.1 Decals with Words

Item	Part No.	Description	Qty.	Item	Part No.	Description	Qty.
--	33550	TAPE,WARNING,BLK/YEL, 50***		16	43618	DECAL,LABEL-DIRECTION ARROWS.....	1
--	84836	DECAL KIT,SAFETY/INSTR,GS90/84 <i>(includes items 1, 5, 6, 8, 9, 11, 12, 14-20, 22-24, 34, 36, 44, 47-50 and 52-54) GS-84 (to SN 40965) and GS-90 (to SN 42904)</i>		17	43619	DECAL,LABEL,SAFETY ARM.....	1
--	114046	DECAL KIT,WORDS,GS3384&GS90 <i>(includes items 1, 5, 6, 8, 9, 11, 12, 14-20, 22, 24, 34, 36, 44, 47-50 and 52-54) GS-84 (from SN 40966) and GS-90 (from SN 42905)</i>		18	43696	DECAL,DANGER,ELEC HAZARD,GS.....	2
1	25994	DECAL,NOTICE,SHUTOFF VALVES.....	1	19	44255	DECAL,DANGER,CRUSHING HAZARD.....	4
2	28158	DECAL,LABEL,UNLEADED GAS ONLY.....	1	20	44736	DECAL,DANGER,TIP-OVER,TILT....	1
3	28159	DECAL,LABEL,DIESEL FUEL.....	1	21	44981	DECAL,LABEL,AIRLINE 110 PSI..... <i>(7.6 bar)</i>	2
4	28160	DECAL,LABEL,LIQUID PROPANE..... <i>(1 additional with extra LPG tank option)</i>	1	22	52431	DECAL,LABEL,GROUND CONTROL PNL.....	1
5	28164	DECAL,NOTICE,HAZARDOUS MAT'LS*.....	1	23	52475	DECAL,LABEL,TRANSPORT TIEDOWN*.....	4
6	28171	DECAL,DANGER,NO SMOKING***.....	1	24	52494	DECAL,CAUTION,CRUSH HAZ, RAILS.....	1
7	28174	DECAL,POWER TO PLATFORM 230V.....	3	25	52967	DECAL,COSMETIC,4 X 4.....	2
8	28175	DECAL,WARNING-COMPART ACCESS.....	1	26	62748	DECAL,COSMETIC,GENIE GS-4390.....	2
9	28176	DECAL,LABEL,MANUAL NOT HERE.....	1	27	65061	DECAL,COSMETIC,GENIE GS-5390.....	2
10	28235	DECAL,POWER TO PLATFORM 115V.....	3	28	65063	DECAL,NOTICE,TIRE SPECS..... <i>GS-4390 and GS-5390</i>	4
11	28236	DECAL,WARN,IMPROPER OPERATION.....	1	29	65281	DECAL,NOTICE,SIDE FORCE,350 LB..... <i>GS-4390 (ANSI and CSA) (1557 N)</i>	2
12	31060	DECAL,DANGER DO NOT ALTER SWTC.....	1	30	72186	DECAL,CAUTION,CRUSHING HAZARD.....	4
13	38149	DECAL,LABEL,PATENTS.....	1	31	72816	DECAL,NOTICE,MAX CAP,1500 LBS..... <i>GS-4390 and GS-5390 (models with 1 or 2 decks) (680 kg)</i>	2
14	40434	DECAL,LANYARD ANCHORAGE POINT.....	8	32	72818	DECAL,LABEL, TEST MODE.....	1
15	43091	DECAL,DANGER,GENERAL SAFETY..... <i>GS-84 (to SN 40965) and GS-90 (to SN 42904)</i>	1	33	72847	DECAL,NOTICE,HI FLOAT TIRES.....	4
--	1000042	DECAL,DANGER,GENERAL SAFETY <i>GS-84 (from SN 40966) and GS-90 (from SN 42905)</i>		34	72853	DECAL,DANGER,IMPROPER USE HAZ.....	1
				35	72860	DECAL,NOTICE,SIDE FORCE,300 LB..... <i>GS-5390 (ANSI and CSA) (1335 N)</i>	2
				36	72868	DECAL,LABEL,ENGINE TRAY PROP.....	1
				37	72976	DECAL,WARNING,43/5390 PIPERACK.....	2
				38	77046	SERIAL # LABEL,MYLAR 4X8***.....	1

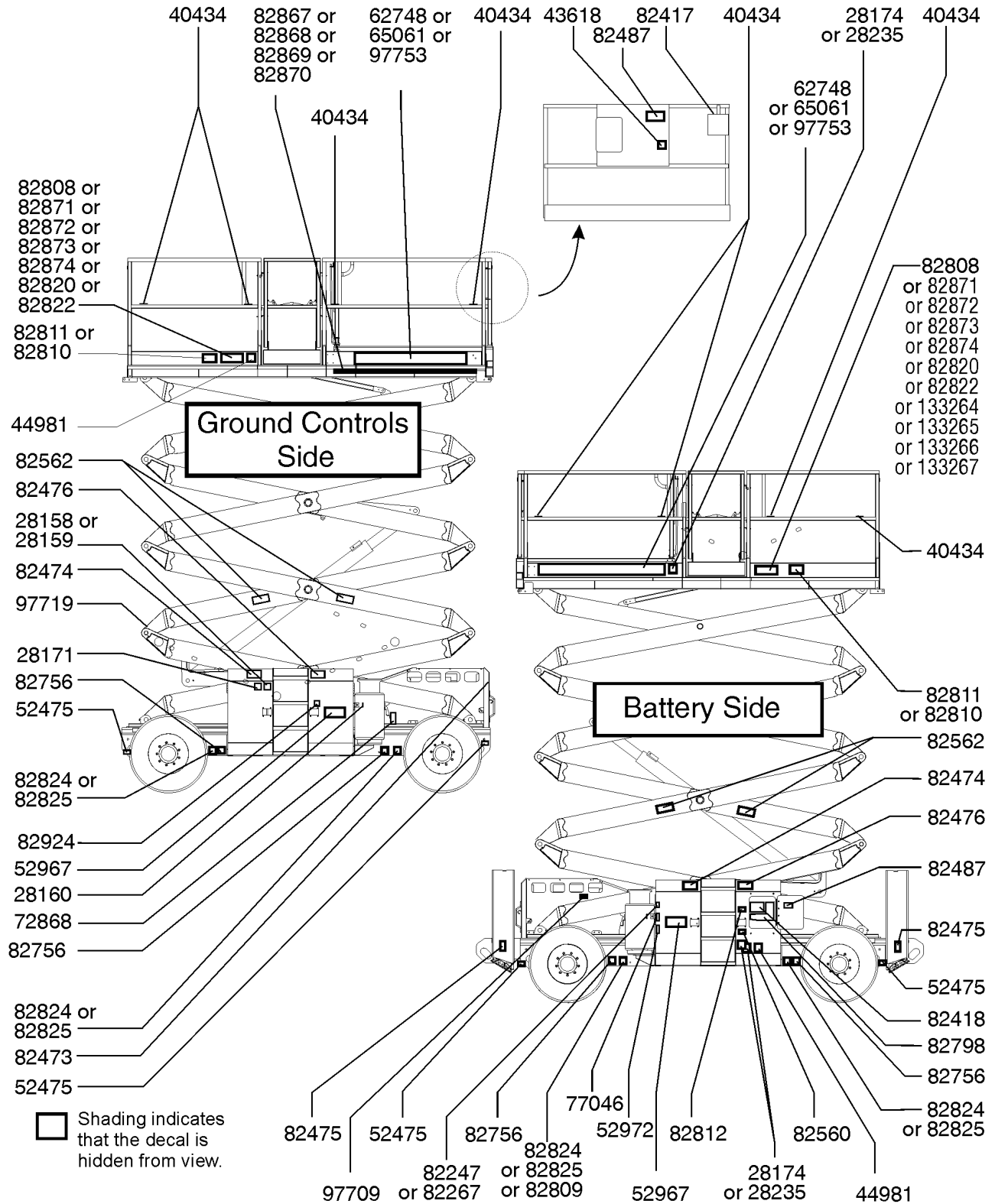


101.1 Decals with Words
(continued)

Item	Part No.	Description	Qty.	Item	Part No.	Description	Qty.
--	82809	DECAL,LABEL,WHEEL LOAD,3384.....	4	56	82825	DECAL,LABEL,WHEEL LOAD GS5390.....	4
39	82210	DECAL,COSMETIC,GENIE GS-3384.....	2	57	97548	DECAL,ENGINE SPEC,DEUTZ 2011.....	1
40	82211	DECAL,NOTICE,SIDE FORCE ANSI.....	2	58	97571	DECAL,NOTICE,FORD ENG SPECS T2.....	1
		<i>GS-3384 and GS-3390 (ANSI and CSA) (350 lbs, 1557 N)</i>				<i>GS-84 (to SN 41196) and GS-90 (to SN 43480)</i>	
41	82213	DECAL,NOTICE,MX CP,GS84 1&2 DK.....	2	--	114169	DECAL,FORD ENGINE SPEC DSG423	
		<i>GS-3384 and GS-3390 (2500 lbs, 1134 kg) (models with 1 or 2 decks)</i>				<i>GS-84 (from SN 41197) and GS-90 (from SN 43481)</i>	
42	82215	DECAL,NOTICE,TIRE SPECS.....	4	59	97602	DECAL,WARNING,EXPLOSION,ETHER.1	
		<i>GS-3384 and GS-3390</i>		60	97753	DECAL,COSMETIC,GENIE GS-3390.....	2
43	82224	DECAL,LABEL,HOT.....	1	61	97763	DECAL,NOTICE,MAN FORCE,AUSTRAL.....	2
		<i>Ford Tier II Models</i>				<i>GS-3384, GS-3390 and GS-4390 (Australia) (90 lbs, 400N)</i>	
44	82366	DECAL,LABEL-CHEVRON RANDO.....	1	62	97764	DECAL,NOTICE,MAN FORCE,AUSTRAL.....	2
45	82417	DECAL,PLATFORM CONTROL PANEL.....	1			<i>GS-5390 (Australia) (90 lbs, 400 N)</i>	
46	82418	DECAL,GROUND CONTROL PANEL.....	1	63	114277	DECAL,LABEL,BELT ROUTING DSG.....	1
47	82557	DECAL,LABEL,PLAT CONT LOCATION.....	1			<i>GS-84 (from SN 41197) and GS-90 (from SN 43481)</i>	
48	82558	DECAL,WARN,SKIN INJECTION HAZ*.....	1				
49	82559	DECAL,INSTRUCT-ANNUAL INSP REQ.....	1				
50	82561	DECAL,DANGER-USE SAFETY ARM.....	2				
51	82757	DECAL,DANGER,OUTRIGGER SAFETY.....	1				
52	82793	DECAL,NOTICE,OP INST,GROUND.....	1				
53	82794	DECAL,NOTICE,OP INST,PLATFORM.....	1				
		<i>GS-84 (to SN 40965) and GS-90 (to SN 42904)</i>					
--	1000195	DECAL,NOTICE,OP INST,PLATFORM					
		<i>GS-84 (from SN 40966) and GS-90 (from SN 42905)</i>					
54	82798	DECAL,GROUND CONTROL PANEL.....	1				
55	82824	DECAL,LABEL,WHEEL LOAD GS4390.....	4				
		<i>GS-3390 and GS-4390</i>					

This Page Intentionally Left Blank

102.1 Decals with Symbols



102.1 Decals with Symbols

Item	Part No.	Description	Qty.	Item	Part No.	Description	Qty.
--	33550	TAPE,WARNING,BLK/YEL, 50***		21	82473	DECAL,SYMBOL-COMP ACCESS.....	2
--	84837	DECAL KIT,SAFETY/INSTR,GS90/84 (includes items 4, 7-8, 10, 15, 21-22, 24-27, 29, 34, 48 and 50)		22	82474	DECAL,SYMBOL-USE SAFETY ARM.....	2
--	84837	DECAL KIT,SAFETY/INSTR,GS90/84 (includes items 4, 7-8, 10, 15, 21-22, 24-27, 29, 34, 48 and 50)		23	82475	DECAL,SYMBOL-FOOT CRUSHING.....	4
1	28158	DECAL,LABEL,UNLEADED GAS ONLY.....	1	24	82476	DECAL,SYMBOL-ELEC HAZARD, GS.....	2
2	28159	DECAL,LABEL,DIESEL FUEL.....	1	25	82487	DECAL,SYMBOL-READ THE MANUAL.....	2
3	28160	DECAL,LABEL,LIQUID PROPANE..... (1 additional with extra LPG tank option)	1	26	82560	DECAL,SYMBOL-SKIN INJECT HAZRD.....	1
4	28171	DECAL,DANGER,NO SMOKING***.....	1	27	82562	DECAL,SYMBOL-CRUSHING HAZARD.....	4
5	28174	DECAL,POWER TO PLATFORM 230V.....	3	28	82756	DECAL,LABEL,TIRE PRESS,GS90 CE.....	4
6	28235	DECAL,POWER TO PLATFORM 115V.....	3	29	82798	DECAL,GROUND CONTROL PANEL.....	1
7	40434	DECAL,LANYARD ANCHORAGE POINT.....	8	30	82808	DECAL,DANGER,MAX CAP,3384 ANSI..... GS-3384 and GS-3390 (ANSI and CSA) (2500 lbs, 1134 kg)	2
8	43618	DECAL,LABEL-DIRECTION ARROWS.....	1	31	82809	DECAL,LABEL,WHEEL LOAD,3384.....	4
9	44981	DECAL,LABEL,AIRLINE 110 PSI..... (7.6 bar)	2	32	82810	DECAL,DANGER,SIDE FRC,ANSI..... GS-3384, GS-3390 and GS-4390 (ANSI and CSA) (350 lbs, 1557 N)	2
10	52475	DECAL,LABEL,TRANSPORT TIEDOWN*.....	4	33	82811	DECAL,DANGER,MANUAL FORCE,400N..... CE (90 lbs)	2
11	52967	DECAL,COSMETIC,4 X 4.....	2	34	82812	DECAL,LABEL,READ THE SERV MAN.....	1
12	52972	DECAL,CE MARK,3".....	1	35	82819	DECAL,DANGER,SIDE FRC,5390 ANS..... (ANSI and CSA) (300 lbs, 1335 N)	2
13	62748	DECAL,COSMETIC,GENIE GS-4390.....	2	36	82820	DECAL,DANGER,MAX CAP,4390 ANSI..... (ANSI and CSA)	2
14	65061	DECAL,COSMETIC,GENIE GS-5390.....	2	37	82822	DECAL,DANGER,MAX CAP,5390 ANSI..... (ANSI and CSA) (1500 lbs, 680 kg)	2
15	72868	DECAL,LABEL,ENGINE TRAY PROP..... GS-5390	1	38	82824	DECAL,LABEL,WHEEL LOAD GS4390..... GS-3390 and GS-4390	4
16	77046	SERIAL # LABEL,MYLAR 4X8***.....	1	39	82825	DECAL,LABEL,WHEEL LOAD GS5390.....	4
17	82210	DECAL,COSMETIC,GENIE GS-3384.....	2				
18	82247	DECAL,LABEL,107 DB***..... CE	1				
19	82417	DECAL,PLATFORM CONTROL PANEL.....	1				
20	82418	DECAL,GROUND CONTROL PANEL.....	1				

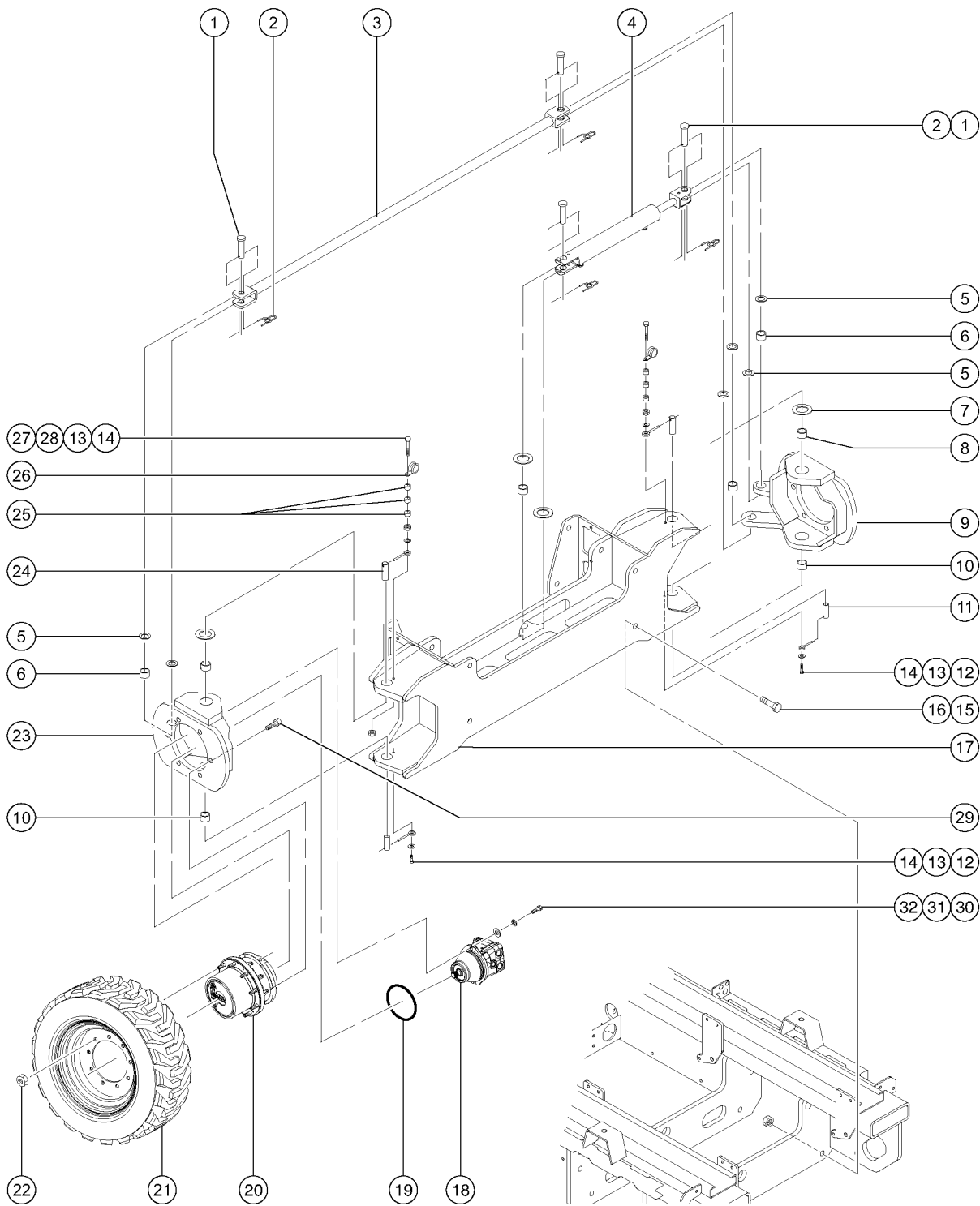


102.1 Decals with Symbols (continued)

Item	Part No.	Description	Qty.
40	82867	DECAL,LABEL,CAP INDICATOR,3384.....1 <i>GS-3384 and GS-3390 (CE)</i>	1
41	82868	DECAL,LABEL,CAP INDICATOR,4390.....1 <i>(CE)</i>	1
42	82869	DECAL,LABEL,CAP INDICATOR,4390.....1 <i>(models with extra capacity option; CE)</i>	1
43	82870	DECAL,LABEL,CAP INDICATOR,5390.....1 <i>(CE)</i>	1
44	82871	DECAL,DANGER,MAXCAP CE GS3384.....2 <i>GS-3384 and GS-3390 (CE) (2500 lbs, 1134 kg)</i>	2
45	82872	DECAL,DANGER,MAX CAP CE GS4390.....2 <i>(CE)</i>	2
46	82873	DECAL,DANGER,XTRACAP CE 4390.....2 <i>(models with one extension deck and outriggers; CE)</i>	2
47	82874	DECAL,DANGER,MAXCAP CE GS5390.....2 <i>(CE) (1500 lbs, 680 kg)</i>	2
48	82924	DECAL,CAUTION,SHUTOFF VALVES.....1	1
49	97709	DECAL,DANGER,HOT,SYMBOL.....1	1
50	97719	DECAL, LABEL, SAFETY ARM SYMB.....1	1
51	133264	DECAL,DANGER,MAXCAP CE GS3384*.....2	2
51	133265	DECAL,DANGER,MAX CAP CE GS4390.....2	2
51	133267	DECAL,DANGER,MAXCAP CE GS5390*.....2	2
51	97753	DECAL,COSMETIC,GENIE GS-3390.....2	2
52	133264	DECAL,DANGER,MAXCAP CE GS3384*.....2	2
52	133266	DECAL,DANGER,XTRACAP CE 4390*.....2	2

This Page Intentionally Left Blank

201.1 Steer Axle Linkage, Wheels and Drive Hubs - GS-3384



201.1 Steer Axle Linkage, Wheels and Drive Hubs - GS-3384

Item	Part No.	Description	Qty.	Item	Part No.	Description	Qty.
1	19440	PIN,CLEVIS,1 X 2.5 LG.		--	131340	ASSY,TIRE&WHEEL,FF.RH <i>RT, Foam-filled, right (for use ONLY after first-time installation of 79710)</i>	
2	74389	RUE RING 1.00.....	4	--	131341	ASSY,TIRE&WHEEL,FF.LH <i>RT, Foam-filled, left (for use ONLY after first-time installation of 79710)</i>	
3	79297	WELDMENT,TIE ROD,GS84.....	1	21A	131340	ASSY,TIRE&WHEEL,FF.RH <i>RT, Foam-filled, right (from SN GS8409-42019)</i>	
4	89065	CYLINDER,STEER***	1	21A	131341	ASSY,TIRE&WHEEL,FF.LH <i>RT, Foam-filled, left (from SN GS8409-42019)</i>	
--	89066	SEAL KIT,STEER CYL (89065)		21C	73923	TIRE & WHEEL ASSY.,FLOTATION..... <i>Turf, Air-filled</i>	4
5	35057	WASHER,THRUST,1.0 X 1.5 X .125		--	73924	WHEEL, 19.5X14.00 <i>for 73923</i>	
6	51474	BEARING,1.00IDX1.25ODX0.75L....	5	--	73925	TIRE,33/16LL500,10PLY LITEFOOT <i>for 73923</i>	
7	45074	WASHER,THRUST,1.5 X 3.5 X .187		21D	79394	TIRE & WHEEL ASSY,HF,FOAM..... <i>Turf, Foam-filled</i>	4
8	18396	BEARING,1.5ID X 1.75OD X 1.0L....	2	21E	87238	TIRE&WH ASSY,10-16.5 RT NM LT* <i>RT, Foam-filled, Non-marking, left</i>	
9	84209	STEER YOKE ASSY, 4WD,LT,GS84..... <i>(ground controls side) (includes items 6, 8 and 10)</i>	2	21E	87239	TIRE&WH ASSY,10-16.5 RT NM RT* <i>RT, Foam-filled, Non-marking, right</i>	2
10	119621	BEARING,FL,1.50IDX1.75ODX1.10L.2		22	54627	NUT,LUG,5/8-18 X 90 DEGREE,Z45.....	18
11	71309	PIN,1.50DIAX2.87LG,1HOLE.....	2	23	84210	STEER YOKE ASSY,4WD,RT,GS84..... <i>(tank side) (includes items 6, 8 and 10)</i>	2
12	6019	SCREW,HHC,3/8-16 X 1.25 GRD 5		24	36211	PIN,1.50DIAX3.25LG,1HOLE.....	2
13	6021	WASHER,LOCK, .375		25	44723	SPACER,OUTRIGGER PIN***	3
14	25284	ROD END, .375 X 2.25***	4	26	39518	CLAMP,2.00,#32 X 3/8,RUB CUSH.....	2
15	51428	SCREW,HHC,3/4-10 X 2.75		27	8178	SCREW,HHC,3/8-16 X 2.5	
16	10258	NUT,NYLOCK,3/4-10		28	4828	NUT,NYLOCK,3/8-16	
17	84802	STEER AXLE ASSEMBLY, GS84..... <i>(includes item 6)</i>	1	29	112512	SCREW,SHC,5/8-11 X 1.5 NDPATCH	
18	101586	MOTOR,PISTON,LC25,6.5 DEG,13T.....	2	30	88296	SCREW,HHC,7/16-14 X 1.25	
--	106098	SEAL KIT,MOTOR,LC/KC***		31	20912	WASHER,LOCK, .437,PLTD.	
--	106118	O-RING,2-157,VITON***		32	106134	WASHER,FLAT,HARDENED 7/16	
19	106117	O-RING,2-010,VITON.....	2				
20	101584	WHEEL DRIVE,4HP 57:1***	2				
--	106119	SEAL KIT, GEARBOX, 4HP					
--	106120	WHEEL STUD, 4HP, 5/8-18***					
--	106121	ROD,DISCONNECT 4HP/4HB***					
--	106122	CAP,DISENGAGE,4HP/4HB***					
--	106123	O-RING,END COVER,4HP/4HB***					
--	106124	LINING KIT, BRAKE, 4HP***					
--	106125	SEAL KIT, BRAKE, 4HP					
--	106126	BEARING KIT,4HP					
--	232486	SNAP RING,WHEEL DRIVE					
--	58320	KIT,TORQUE HUB COVER(101584)**					
21	79710	GS84 TIRES, RT FOAM (SET OF 4)..... <i>RT, Foam-filled (to SN GS8409-42018) (set of 4, replaced 42321 and 42322) (includes item 22)</i>	1				



202.1 Steer Axle and Linkage, Wheels and Drive Hubs - GS-3390, GS-4390 and GS-5390

