



A TEREX BRAND

Parts Manual

Serial Number Range

GS-2668 DC

from GS2668-41318

GS-3268DC

from GS3268-41318

Part No. 84142

Rev H13

April 2012

Technical Publications

Genie Industries has endeavored to deliver the highest degree of accuracy possible. However, continuous improvement of our products is a Genie policy. Therefore, product specifications are subject to change without notice.

Readers are encouraged to notify Genie of errors and send in suggestions for improvement. All communications will be carefully considered for future printings of this and all other manuals.

Contact Us:

<http://www.genieindustries.com>
 e-mail: awp.techpub@terex.com

Serial Number Information


Genie Industries offers the following Parts Manuals for these models:

Title	Part No
Genie GS-2668 DC and GS-3268 DC Parts Manual (before serial number GS68-41318)	62110

Copyright © 1998 by Genie Industries

84142 Rev H August 2009
 Second Edition, Eight Printing

"Genie" and "GS" are registered trademarks of Genie Industries in the USA and many other countries.

 Printed on recycled paper



Model: GS-2668
Serial number: GS6809-52599
Model year: 2005 **Manufacture date:** 10/01/08
Electrical schematic number: ES0141
Machine unladen weight: 2,714 lb / 1,231 kg

Rated work load (including occupants): 500 lb / 227 kg

Maximum allowable inclination of the chassis:
N/A

Gradeability: N/A

Maximum allowable side force : 100 lb / 445 N
Maximum number of platform occupants: 2

Country of manufacture: USA
This machine complies with:

ANSI A92.6
B354.2

Genie Industries
18340 NE 76th Street
Redmond, WA 98052
USA



11111111

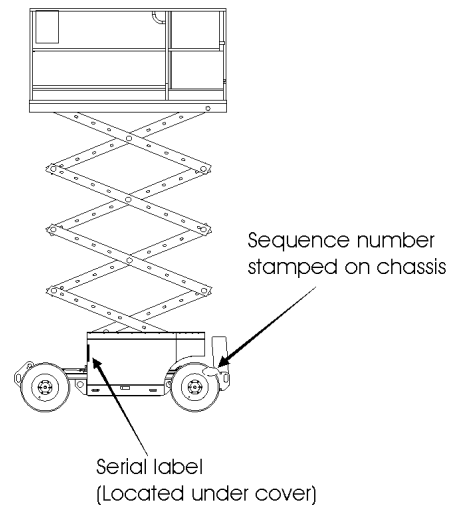
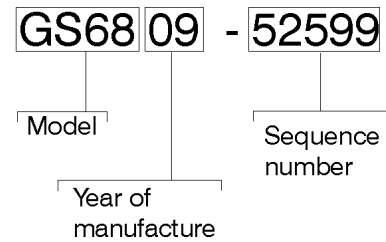


Table of Contents

This manual is updated frequently. If you have a printed manual, you can keep it up to date by downloading new figures from the Genie website at www.genielift.com. For the most up-to-date parts information, visit the Parts Lookup System on the Genie website at www.genielift.com.

How to Read Your Serial Number.....	3
Parts Stocking List.....	7
How to Order Parts.....	8
Service Parts Fax Order Form.....	9

Electronic Version

Click on any page number to view the figure.

100 Decals

101.1 Decals with Words (to SN 42450).....	10
101.2 Decals with Words (from SN 42451).....	14
102.1 Decals with Symbols.....	18

200 Drive Chassis Components

201.1 Steer Axle Linkage, Wheels and Drive Motors.....	22
202.1 Non-steer Axle and Brake Motors.....	24
203.1 Drive Chassis, Safety Components.....	26

300 Chassis Components

301.1 Hydraulic Module Components, View 1.....	28
302.1 Hydraulic Module Components, View 2.....	30
303.1 Hydraulic Module Components, View 3.....	32
304.1 Ground Controls.....	34
305.1 Function Manifold.....	36
306.1 Hydraulic Power Unit.....	40
307.1 Battery Charger (to SN 52682).....	42
307.2 Battery Charger (from SN 52683).....	44
308.1 Battery Pack Module Installation.....	46
309.1 Chassis Covers.....	48
310.1 Hydraulic Hoses and Fittings (to SN 43183).....	50
310.2 Hydraulic Hoses and Fittings (from SN 43184).....	54
311.1 Power Cables.....	56
312.1 Electrical Wiring.....	58

400 Scissor Components

401.1 Scissor Components, View 1, GS-2668.....	60
402.1 Scissor Components, View 2, GS-2668 (to SN 41751).....	62

402.2 Scissor Components, View 2, GS-2668 (from SN 41752).....	64
403.1 Scissor Components, View 1, GS-3268.....	66
404.1 Scissor Components, View 2, GS-3268 (to SN 41750).....	68
404.2 Scissor Components, View 2, GS-3268 (from SN 41751).....	70

500 Platform Components

501.1 Platform Installation (to SN 41737).....	72
501.2 Platform Installation (from SN 41738).....	74
502.1 Platform Railing Installation (to SN 41737).....	76
502.2 Platform Railing Installation (from SN 41738).....	78
503.1 Platform Entry Gate (to SN 41737).....	80
503.2 Platform Entry Gate (from SN 41738).....	82
504.1 Platform Extension (to SN 41737).....	84
504.2 Platform Extension (from SN 41738).....	86
505.1 Platform Extension Deck Lock (to SN 41737).....	88
505.2 Platform Extension Deck Lock (from SN 41738).....	90
506.1 Power to Platform.....	92
507.1 Platform Controls Box (to SN 44698).....	94
507.2 Platform Control Box (from SN 44699).....	96
508.1 Joystick Controls (to SN 41803).....	98
508.2 Joystick Controls (from SN 41804).....	100

600 Link Guard Components

601.1 Wire Mesh Link Guard Installation, View 1.....	102
602.1 Wire Mesh Link Guard Installation, View 2.....	104
603.1 Wire Mesh Link Guard Installation, View 3.....	106
604.1 Wire Mesh Link Guard Installation, View 4.....	108
605.1 Wire Mesh Link Guard Installation, View 5.....	110
606.1 Rigid Link Guard Installation, View 1.....	112
607.1 Rigid Link Guard Installation, View 2.....	114
608.1 Rigid Link Guard Installation, View 3.....	116
609.1 Steel Panel Link Guard Assembly.....	118

700 Accessories

701.1 Flashing Beacon.....	120
702.1 Platform Work Light.....	122
703.1 Pipe Cradle.....	124
704.1 Platform Overload Sensor (to SN 41529).....	126
704.2 Platform Overload Sensor (from SN 41530 to 42449).....	128
704.3 Platform Overload Sensor (from SN 42450 to 44168).....	130
704.4 Platform Overload Sensor (from SN 44169).....	132
705.1 Voltage Inverter Installation.....	134
706.1 Air Line to Platform.....	136

Indices

Part Number Index.....138

Part Description Index.....142

Cross References

Fittings Cross Reference.....148

Required Parts

The following parts are required to perform maintenance procedures as outlined in the *Genie GS-2668 DC and GS-3268 DC Service Manual*.

Description	Part No.
Dielectric Grease	66399
Filter Element, 10 Micron.....	131323
O-ring Kit (for O-ring Face Seal Fitting)	49612
Plug and Cap Kit (for O-ring Face Seal Seainting)	49613

Recommended Parts

Description	Part No.
Genie Blue Paint, 1 Gallon	32150
Genie Blue Paint, 12 Ounce Aerosol	1484
Genie Gray Paint, 1 Gallon	32151
Genie Gray Paint, 12 Ounce Aerosol	1268

Manuals

Genie Industries offers the following support documents for these models:

Title	Part No.
Genie GS-2668 DC and GS-3268 DC Operator's Manual (before serial number GS-41381)	52546
Genie GS-2668 DC and GS-3268 DC Operator's Manual (from serial number GS-41381 to GS6804-42451)	82262
Genie GS-2668 DC and GS-3268 DC, ANSI, CSA and Australia models Operator's Manual (from serial number GS6804-42452 to GS6805-44698)	82750
Genie GS-2668 DC and GS-3268 DC, ANSI, CSA and Australia models Operator's Manual (after serial number GS6805-44698)	1000058
Genie GS-2668 DC and GS-3268 DC Operator's Manual, CE models (from serial number GS6804-42452 to GS6805-44698)	82827
Genie GS-2668 DC and GS-3268 DC Operator's Manual, CE models (after serial number GS6804-44698)	1000059
Genie GS-2668 DC and GS-3268 DC Service Manual	65248
EMI Safety Manual	27581
Manual of Responsibilities ANSI A92.5	44163

How To Order Parts

Please be prepared with the following information when ordering replacement parts for your Terex or Genie product:

- Machine model number
- Machine serial number
- Part number
- Part description and quantity
- Purchase order number
- "Ship to" address
- Desired method of shipment
- Name and telephone number of the authorized distributor in your area

Use the Service Parts Fax Order Form on the next page and fax your order to our Parts Department.

If you don't know the name of your authorized distributor, or if your area is not currently serviced by an authorized distributor, please call Terex or Genie Industries.

Machine Information

Model

Serial Number

Date of Purchase

Authorized Genie Distributor

Phone Number

North America

Telephone (425) 556-6551
 Toll Free (877) 367-5606 in U.S.A. and Canada
 Fax (425) 556-8659
 Toll Free Fax (888) 274-6192

Europe

Parts Telephone (31) (165) 519 313
 Parts Fax (31) (165) 511 148

Australia

Parts Telephone (61) (7) 3456 4444
 Parts Fax (61) (7) 3456 4466

South America

Parts Telephone (55) (11) 4082 5600
 Parts Fax (55) (11) 4082 5630

101.1 Decals with Words (to SN 42450)

