



A TEREX BRAND

# *Parts Manual*

Serial Number Range

**GS-1530**

to SN 59999

**GS-1930**

Part No. 39529

Rev J13

April 2012

## Technical Publications

Genie Industries has endeavored to deliver the highest degree of accuracy possible. However, continuous improvement of our products is a Genie policy. Therefore, product specifications are subject to change without notice.

Readers are encouraged to notify Genie of errors and send in suggestions for improvement. All communications will be carefully considered for future printings of this and all other manuals.

## Contact Us:

<http://www.genieindustries.com>  
 e-mail: [awp.techpub@terex.com](mailto:awp.techpub@terex.com)

## Serial Number Information

Genie Industries offers the following Parts Manuals for these models:


Title	Part No
Genie GS-1530, GS-1930 Parts Manual (from serial number GS3003-60000 to GS3005-75999).....	96315
Genie GS-1530 and GS-1930 Parts Manual (from serial number GS3005-76000).....	96384

---

Copyright © 1997 by Genie Industries

39529 Rev J July 2009  
 First Edition, Ninth Printing

"Genie" and "GS" are registered trademarks of Genie Industries in the USA and many other countries.

 Printed on recycled paper



Model: GS-1930  
Serial number: GS3005A-12345  
Model year: 2005    Manufacture date: 04/12/05  
Electrical schematic number: ES0141  
Machine unladen weight: 2,714 lb / 1,231 N

Rated work load (including occupants): 500 lb / 227 kg

Maximum allowable inclination of the chassis:  
N/A

Gradeability: N/A

Maximum allowable side force : 100 lb / 445 N  
Maximum number of platform occupants:2

Country of manufacture: USA  
This machine complies with:

ANSI A92.6-  
B354.2-

Genie Industries  
18340 NE 76th Street  
Redmond, WA 98052  
USA



|||||

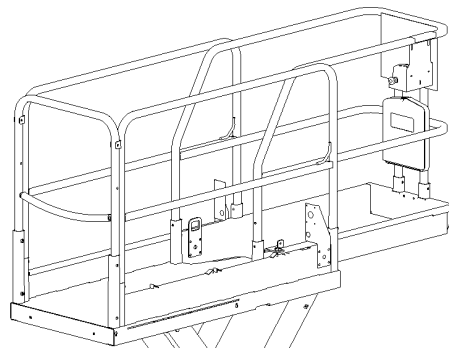
GS30 05 A - 12345

Model

Model year

Sequence number

Facility code  
(used only for model manufactured in multiple facilities )



Serial number  
(stamped on chassis)

Serial label

Serial number  
(stamped on chassis)

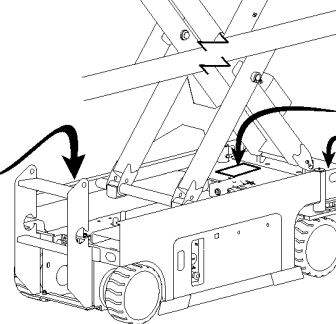


Table of Contents

This manual is updated frequently. If you have a printed manual, you can keep it up to date by downloading new figures from the Genie website at [www.genielift.com](http://www.genielift.com). For the most up-to-date parts information, visit the Parts Lookup System on the Genie website at [www.genielift.com](http://www.genielift.com).

How to Read Your Serial Number.....3  
 Parts Stocking List.....7  
 How to Order Parts.....8  
 Service Parts Fax Order Form.....9

**Electronic Version**  
 Click on any page number to view the figure.

**100 Decals and Paint**

101.1 Decals and Paint.....10  
 102.1 Platform Control Box Decals.....14

**200 Drive Chassis Components**

201.1 Steer Axle Linkage and Wheels (to serial number 1999).....16  
 201.2 Steer Axle Linkage and Wheels (from serial number 2000 to 25899).....18  
 201.3 Steer Axle Linkage and Wheels (from serial number 25900 to 35799).....20  
 201.4 Steer Axle Linkage and Wheels (from serial number 35800 to 42999).....22  
 201.5 Steer Axle Linkage and Wheels (from serial number 43000 to 59999).....24  
 202.1 Ground Controls and Level Sensor Installation (to serial number 1999).....26  
 202.2 Ground Controls and Level Sensor Installation (from serial number 2000 to 18703).....28  
 202.3 Ground Controls and Level Sensor Installation (from serial number 18704 to 35799).....30  
 202.4 Ground Controls and Level Sensor Installation (from serial number 35800).....32  
 203.1 Battery Charger.....36  
 203.2 Battery Charger, Asia.....38  
 203.3 Battery Charger, 220V AC, European.....40  
 203.4 Battery Charger, Worldwide.....42  
 204.1 Battery Pack Module (to serial number 1999).....44  
 204.2 Battery Pack Module (from serial number 2000 to 18703).....46  
 204.3 Battery Pack Module (from serial number 18704 to 35799).....48

204.4 Battery Pack Module (from serial number 35800).....50  
 205.1 Battery Pack Module Installation (from serial number 18704 to 35799).....52  
 205.2 Battery Pack Module Installation (from serial number 35800).....54  
 206.1 Non-steer Axle, Counterweights and Brake Release Hand Pump (to SN 29767).....56  
 206.2 Non-steer Axle, Counterweights and Brake Release Hand Pump (from SN 29768).....58  
 207.1 Pothole Protection Assembly (to serial number 1999).....60  
 207.2 Pothole Protection Assembly (from serial number 2000 to 35799).....62  
 207.3 Pothole Protection Assembly (from serial number 35800).....64  
 208.1 Power Unit Module (to serial number 1999).....66  
 208.2 Power Unit Module (from serial number 2000 to 16988).....68  
 208.3 Power Unit Module (from serial number 16989 to 35799).....70  
 208.4 Power Unit Module (from serial number 35800).....72  
 209.1 Power Unit Module Installation (to serial number 1999).....74  
 209.2 Power Unit Module Installation (from serial number 2000 to 35799).....76  
 209.3 Power Unit Module Installation (from serial number 35800).....78  
 210.1 Hydraulic Power Unit.....80  
 211.1 Ground Controls.....82  
 212.1 Function Manifold (to serial number 6843).....84  
 212.2 Function Manifold (from serial number 6844 to 35799).....86  
 212.3 Function Manifold (from serial number 35800).....88  
 213.1 Brake Release Hand Pump Manifold.....90  
 214.1 Hydraulic Hoses and Fittings (to serial number 35799).....92  
 214.2 Hydraulic Hoses and Fittings (from serial number 35800).....96  
 215.1 Power Cables - Drive Chassis (to serial number 27543).....100  
 215.2 Power Cables - Drive Chassis (from serial number 27544).....102

**300 Scissor Components**

301.1 Scissor Assembly, GS-1530, View 1 (to serial number 631).....104  
 301.2 Scissor Assembly, GS-1530, View 1 (from serial number 632 to 2130).....106  
 302.1 Scissor Assembly, GS-1530, View 2 (to serial number 631).....108

302.2 Scissor Assembly, GS-1530, View 2 (from serial number 632 to 23567).....	110	Part Number Index.....	172
302.3 Scissor Assembly, GS-1530, View 2 (from serial number 23568 to 50515).....	112	Part Description Index.....	176
302.4 Scissor Assembly, GS-1530, View 2 (from serial number 50515).....	114	<b>Cross References</b>	
303.1 Scissor Assembly, GS-1930, View 1 (to serial number 631).....	116	Fittings Cross Reference.....	182
303.2 Scissor Assembly, GS-1930, View 1 (from serial number 632).....	118		
304.1 Scissor Assembly, GS-1930, View 2 (to serial number 631).....	120		
304.2 Scissor Assembly, GS-1930, View 2 (from serial number 632 to 23567).....	122		
304.3 Scissor Assembly, GS-1930, View 2 (from serial number 23568 to 50515).....	124		
304.4 Scissor Assembly, GS-1930, View 2 (from serial number 50516).....	126		
305.1 Lift Cylinder Assembly, GS-1530, GS-1930 (from serial number 23568).....	128		

**400 Platform Components**

401.1 Platform Installation.....	130
402.1 Platform Railings with Entry Chain - Round Tube.....	132
403.1 Platform Railings with Entry Gate - Round Tube.....	134
404.1 Platform Entry Gate Installation - Round Tube.....	136
405.1 Platform Extension - Round Tube.....	138
406.1 Platform Railings and Platform Extension - Square Tube.....	140
407.1 Power to Platform.....	142
408.1 Platform Controls (to serial number 17407).....	144
408.2 Platform Controls (from serial number 17408 to 42999).....	146
408.3 Platform Controls (from serial number 43000 to 51014).....	148
408.4 Platform Controls (from serial number 51015).....	150
409.1 Joystick Controller (to serial number 17407).....	152
409.2 Joystick Controller (from serial number 17408 to 51014).....	154
409.3 Joystick Controller (from serial number 51015).....	156
410.1 Control Cable - Chassis to Platform.....	158

**500 Accessories**

501.1 Alarms, Horn and Flashing Beacon.....	160
502.1 Air Line to Platform.....	162
503.1 Platform Worklight.....	164
504.1 Platform Overload Protection.....	166
505.1 Voltage Inverter.....	168
506.1 Battery - Maintenance Free.....	170

**Indices**





### Required Parts

The following parts are required to perform maintenance procedures as outlined in the *Genie GS-1530 and GS-1930 Service Manual*.

Description	Part No.
Filter Element, 10 Micron.....	44788
Dielectric Grease.....	66399
Chevron Ultra-duty Grease (Lithium) or equivalent, EP NLGI 1.....(source locally)	
Breather Cap, Hydraulic Tank.....	78546
Cotter Pin, Castle Nut, Steer-end Wheels, GS-32, GS-46.....	13635-10
Cotter Pin, Castle Nut, Steer-end Wheels, GS-30 and Non-steer end Wheels, All Models .....	42079

### Recommended Parts

Description	Part No.
Genie Blue Paint, 1 Gallon .....	32150
Genie Blue Paint, 12 Ounce Aerosol .....	1484
Genie Gray Paint, 1 Gallon .....	32151
Genie Gray Paint, 12 Ounce Aerosol .....	1268

### Manuals

Genie Industries offers the following support documents for these models:

Title	Part No.
Genie GS-1530 and GS-1930 Operator's Manual, 1st Edition.....	39527
Genie GS-1530 and GS-1930 Service Manual.....	39528
Genie GS-1530 and GS-1930 Service Manual.....	72876
EMI Safety Manual.....	27581
Manual of Responsibilities ANSI A92.6.....	44163

## How To Order Parts

Please be prepared with the following information when ordering replacement parts for your Terex or Genie product:

- Machine model number
- Machine serial number
- Part number
- Part description and quantity
- Purchase order number
- "Ship to" address
- Desired method of shipment
- Name and telephone number of the authorized distributor in your area

Use the Service Parts Fax Order Form on the next page and fax your order to our Parts Department.

If you don't know the name of your authorized distributor, or if your area is not currently serviced by an authorized distributor, please call Terex or Genie Industries.

### Machine Information

---

Model

---

Serial Number

---

Date of Purchase

---

Authorized Genie Distributor

---

Phone Number

#### North America

Telephone (425) 556-6551  
 Toll Free (877) 367-5606 in U.S.A. and Canada  
 Fax (425) 556-8659  
 Toll Free Fax (888) 274-6192

#### Europe

Parts Telephone (31) (165) 519 313  
 Parts Fax (31) (165) 511 148

#### Australia

Parts Telephone (61) (7) 3456 4444  
 Parts Fax (61) (7) 3456 4466

#### South America

Parts Telephone (55) (11) 4082 5600  
 Parts Fax (55) (11) 4082 5630





Service Parts Fax Order Form

Fax to: (425) 556-8659 or Toll Free: 888-274-6192  
International: +1-425-556-8659

Please fill out completely

Date \_\_\_\_\_ Account Number \_\_\_\_\_  
 Your Name \_\_\_\_\_ Your Fax Number \_\_\_\_\_  
 \_\_\_\_\_ Your Phone Number \_\_\_\_\_  
 Bill To \_\_\_\_\_ Ship To \_\_\_\_\_  
 \_\_\_\_\_  
 \_\_\_\_\_  
 Purchase Order Number \_\_\_\_\_ Ship Via \_\_\_\_\_

Model(s) \_\_\_\_\_ Serial No.(s) \_\_\_\_\_  
 Optional Equipment \_\_\_\_\_

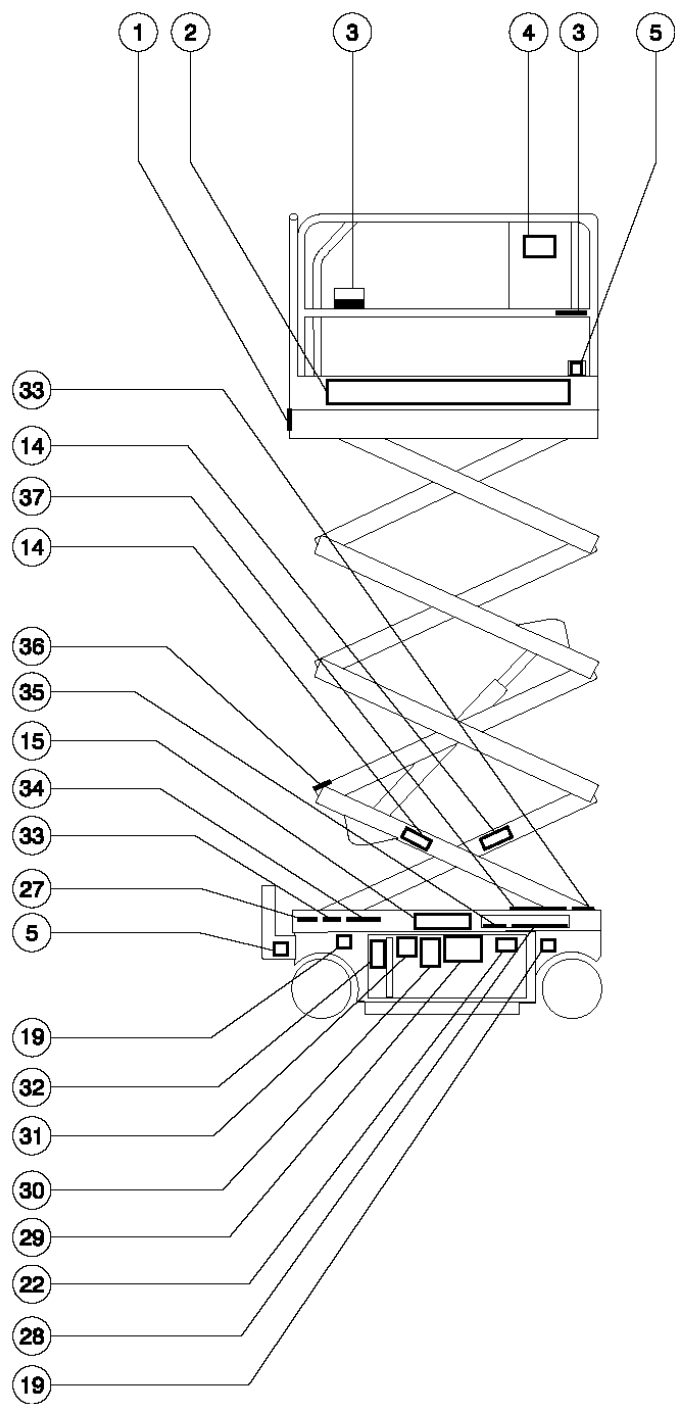
Part Number	Description	Quantity	Price

All back-ordered parts will be shipped when available via the same ship method as the original order unless Noted below:

- Ship complete order only - No back orders
- Ship all available parts and contact customer on disposition of back-ordered parts
- Other (please specify)



101.1 Decals and Paint



**GROUND  
CONTROLS  
SIDE**

**BATTERY  
SIDE**

