



A TEREX BRAND

# Parts Manual

Serial Number Range

**GS-2032**

to SN 59999

**GS-2632**

Part No. 46325

Rev H25

January 2015

## Technical Publications

Genie has endeavored to deliver the highest degree of accuracy possible. However, continuous improvement of our products is a Genie policy. Therefore, product specifications are subject to change without notice.

Readers are encouraged to notify Genie of errors and send in suggestions for improvement. All communications will be carefully considered for future printings of this and all other manuals.

## Contact Us:

<http://www.genielift.com>  
 e-mail: [awp.techpub@terex.com](mailto:awp.techpub@terex.com)

## Serial Number Information


Genie Industries offers the following Parts Manuals for these models:

Title	Part No
Genie GS-2032 and GS-2632 Parts Manuals (from serial number 60000 to 75406).....	96315
Genie GS-2032, GS-2632 and GS-3232 Parts Manuals (from serial numbers GS3205-75407 and from GS3208C-113).....	97384

Copyright © 2011 by Terex Corporation

46325 Rev H July 2009  
 First Edition, Eight Printing

Genie is a registered trademark of Terex South Dakota, Inc. in the USA and many other countries. "GS" is a trademark of Terex South Dakota, Inc.

 Printed on recycled paper



A TEREX BRAND

Model: GS-1930  
Serial number: GS3005A-12345  
Model year: 2005    Manufacture date: 04/12/05  
Electrical schematic number: ES0141  
Machine unladen weight: 2,714 lb / 1,231 N

Rated work load (including occupants): 500 lb / 227 kg

Maximum allowable inclination of the chassis:  
N/A

Gradeability: N/A

Maximum allowable side force : 100 lb / 445 N  
Maximum number of platform occupants:2

Country of manufacture: USA  
This machine complies with:

ANSI A92.6-  
B354.2-

Terex South Dakota, Inc.  
18340 NE 76th Street  
Redmond, WA 98052  
USA



1 1 0 0 1 1 1 1

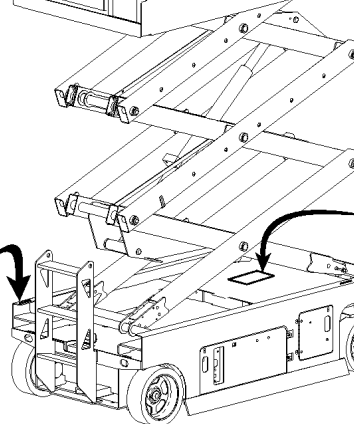
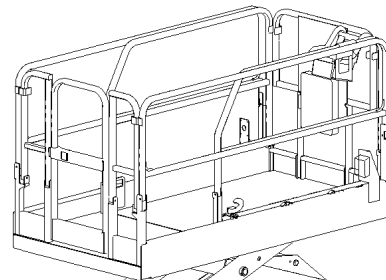
GS32 03 A - 49625

Model

Model year

Sequence number

Facility code  
(used only for model manufactured in multiple facilities )



Serial number  
(stamped on chassis)

Serial label

Serial number  
(stamped on chassis)



## Table of Contents

This manual is updated frequently. If you have a printed manual, you can keep it up to date by downloading new figures from the Genie website at [www.genielift.com](http://www.genielift.com). For the most up-to-date parts information, visit the Parts Lookup System on the Genie website at [www.genielift.com](http://www.genielift.com).

How to Read Your Serial Number.....	3
Parts Stocking List.....	7
How to Order Parts.....	8
Service Parts Fax Order Form.....	9

**Electronic Version**

Click on any page number to view the figure.

**100 Decals and Paint**

101.1 Decals with Words (to SN 51682).....	10
101.2 Decals with Words (from SN 51683).....	14
102.1 Decals with Symbols (from SN 51683).....	18
103.1 Platform Control Box Decals.....	20

**200 Drive Chassis Components**

201.1 Steer Axle Linkage and Wheels (to SN 43386).....	22
201.2 Steer Axle Linkage and Wheels (from SN 43387).....	26
202.1 Ground Controls and Level Sensor Installation (to SN 1999).....	30
202.2 Ground Controls and Level Sensor Installation (from SN 2000 to 18703).....	32
202.3 Ground Controls and Level Sensor Installation (from SN 18704).....	34
203.1 Battery Charger.....	38
204.1 Battery Charger, 110V AC, Asia.....	40
205.1 Battery Charger, 220V AC, European.....	42
206.1 Battery Charger, Worldwide.....	44
207.1 Battery Pack Module Tray Installation (to SN 36044).....	46
207.2 Battery Pack Module Tray Installation (from SN 36045).....	48
208.1 Battery Pack Module, GS-2032.....	50
209.1 Battery Pack Module, GS-2632.....	52
210.1 Non-steer Axle and Brake Release (to SN 50764).....	54
210.2 Non-steer Axle and Brake Release (from SN 50765).....	56
211.1 Pothole Protection Assembly and Counterweights.....	58
212.1 Power Unit Module Installation (to SN 36044).....	62
212.2 Power Unit Module Installation (from SN 36045).....	64

213.1 Power Unit Module, GS-2032.....	66
214.1 Power Unit Module, GS-2632.....	70
215.1 Hydraulic Power Unit.....	72
216.1 Ground Controls (to SN 28695).....	74
216.2 Ground Controls (from SN 28696 to 45894).....	76
216.3 Ground Controls (from SN 45895).....	78
217.1 Function Manifold (to SN 36044).....	80
217.2 Function Manifold (from SN 36045 to 49245).....	82
217.3 Function Manifold (from SN 49246).....	84
218.1 Function Manifold - Models with Traction Control.....	86
219.1 Hydraulic Hoses and Fittings, GS-2032 (to SN 36059).....	88
219.2 Hydraulic Hoses and Fittings, GS-2032 (from SN 36060 to 50764).....	92
219.3 Hydraulic Hoses and Fittings, GS-2032 (from SN 50765 to 52788).....	94
219.4 Hydraulic Hoses and Fittings, GS-2032 (from SN 52789).....	96
220.1 Hydraulic Hoses and Fittings, GS-2632 (to SN 50764).....	98
220.2 Hydraulic Hoses and Fittings, GS-2632 (from SN 50765 to 52788).....	100
220.3 Hydraulic Hoses and Fittings, GS-2632 (from SN 52789).....	102
221.1 Power Cables - Drive Chassis, GS-2032 (models without contactor).....	104
221.2 Power Cables - Drive Chassis, GS-2032 (models with contactor).....	106
222.1 Power Cables - Drive Chassis, GS-2632 (models without contactor).....	108
222.2 Power Cables - Drive Chassis, GS-2632 (models with contactor).....	110

**300 Scissor Components**

301.1 Scissor Assembly, GS-2032, View 1.....	112
302.1 Scissor Assembly, GS-2032, View 2.....	114
303.1 Scissor Assembly, GS-2632, View 1.....	116
304.1 Scissor Assembly, GS-2632, View 2.....	118
305.1 Lift Cylinder Assembly (to SN 23567).....	120
305.2 Lift Cylinder Assembly (from SN 23568).....	122

**400 Platform Components**

401.1 Platform Installation.....	124
402.1 Main Platform and Railings with Entry Chain, Round Tube, GS-2032.....	126
403.1 Main Platform and Railings with Entry Gate, Round Tube, GS-2032.....	128
404.1 Platform Extension and Railings, Round Tube, GS-2032.....	130

405.1 Platform, Railings and Entry, Square Tube, Rigid Rails, GS-32.....132

406.1 Main Platform, Railings and Entry Gate, Square Tube, Fold-down, GS-32.....134

407.1 Platform Extension, Square Tube, Fold-down Rails, GS-32.....136

408.1 Power to Platform.....138

409.1 Control Cable - Chassis to Platform.....140

410.1 Platform Controls (to SN 17407).....142

410.2 Platform Controls (from SN 17408 to 42999).....144

410.3 Platform Controls (from SN 43000 to 48103).....146

410.4 Platform Controls (from SN 48104).....148

411.1 Joystick Controller (to SN 17407).....150

411.2 Joystick Controller (from SN 17408 to 48103).....152

411.3 Joystick Controller (from SN 48104).....154

**500 Accessories**

501.1 Alarm, Horn and Flashing Beacon.....156

502.1 Platform Overload Protection.....158

503.1 Air Line to Platform.....160

504.1 Voltage Inverter.....162

505.1 Work Light.....164

506.1 Battery - Maintenance Free.....166

507.1 Pipe Cradle Assembly.....168

**Indices**

Part Number Index.....170

Part Description Index.....174

**Cross References**

Fittings Cross Reference.....182



### Required Parts

The following parts are required to perform maintenance procedures as outlined in the *Genie GS-32 Service Manual*.

Description	Part No.
Filter Element, 10 Micron.....	44788
Dielectric Grease.....	66399
Chevron Ultra-duty Grease (Lithium) or equivalent, EP NLGI 1.....(source locally)	
Breather Cap, Hydraulic Tank.....	78546
Cotter Pin, Castle Nut, Steer-end Wheels, GS-32, GS-46.....	13635-10
Cotter Pin, Castle Nut, Steer-end Wheels, GS-30 and Non-steer end Wheels, All Models .....	42079

### Recommended Parts

Description	Part No.
Genie Blue Paint, 1 Gallon .....	32150
Genie Blue Paint, 12 Ounce Aerosol .....	1484
Genie Gray Paint, 1 Gallon .....	32151
Genie Gray Paint, 12 Ounce Aerosol .....	1268

### Manuals

Genie Industries offers the following support documents for these models:

Title	Part No.
Genie GS-2032, GS-2632, GS-2046, GS-2646 and GS-3246 Operator's Manual, First Edition (before serial number GS3204-51683) .....	46281
Genie GS-2032 and GS2632 Operator's Manual, Second Edition (after serial number GS32054-51682) .....	82680
Genie GS-2032 and GS-2632 Operator's Manual, Second Edition (after serial number GS3204-51682) (CE models) .....	82784
Genie GS-2032 Service Manual, First Edition .....	46326
Genie GS-2032 and GS-2632 Service Manual, Second Edition .....	72963
EMI Safety Manual .....	27581
Manual of Responsibilities ANSI A92.6 .....	44163

## How To Order Parts

Please be prepared with the following information when ordering replacement parts for your Terex or Genie product:

- Machine model number
- Machine serial number
- Part number
- Part description and quantity
- Purchase order number
- "Ship to" address
- Desired method of shipment
- Name and telephone number of the authorized distributor in your area

Use the Service Parts Fax Order Form on the next page and fax your order to our Parts Department.

If you don't know the name of your authorized distributor, or if your area is not currently serviced by an authorized distributor, please call Terex or Genie Industries.

### Machine Information

---

Model

---

Serial Number

---

Date of Purchase

---

Authorized Genie Distributor

---

Phone Number

#### North America

Telephone (425) 556-6551  
 Toll Free (877) 367-5606 in U.S.A. and Canada  
 Fax (425) 556-8659  
 Toll Free Fax (888) 274-6192

#### Europe

Parts Telephone (31) (165) 519 313  
 Parts Fax (31) (165) 511 148

#### Australia

Parts Telephone (61) (7) 3456 4444  
 Parts Fax (61) (7) 3456 4466

#### South America


Parts Telephone (55) (11) 4082 5600  
 Parts Fax (55) (11) 4082 5630





101.1 Decals with Words (to SN 51682)

Decal Part Numbers			
each model requires 1 Capacity decal and 1 Side Force decal			
		GS-2032	GS-2632
ANSI	Capacity	46285	44254
	Side Force	52608	72992
CSA	Capacity	46285	44254
	Side Force	52608	72992
CE	Capacity	52063	44254
	Side Force	52560	72990
Australia	Capacity	52063	44254
	Side Force	52560	82307

 Shading indicates decal is hidden from view, i.e. under covers

