



A TEREX BRAND

# *Parts Manual*

Serial Number Range

**S-80**

from SN 966 to 3081

**S-85**

Part No. 65615

Rev E26

October 2014

## Technical Publications

Genie has endeavored to deliver the highest degree of accuracy possible. However, continuous improvement of our products is a Genie policy. Therefore, product specifications are subject to change without notice.

Readers are encouraged to notify Genie of errors and send in suggestions for improvement. All communications will be carefully considered for future printings of this and all other manuals.

## Contact Us:

<http://www.genielift.com>  
 e-mail: [awp.techpub@terex.com](mailto:awp.techpub@terex.com)

## Serial Number Information

Genie offers the following Parts Manuals for these models:


Title	Part No
Genie S-80 and S-85 Parts Manual (to serial number 965) .....	34033
Genie S-80 and S-85 Parts Manual (from serial number 966 to 3081) .....	65615
Genie S-80 and S-85 Parts Manual (from serial number 3082 to 7999) .....	77810
Genie S-80 and S-85 Parts Manual (from serial number 8000) .....	111335

---

Copyright © 2011 Terex Corporation

65615 Rev E November 2009  
 Second Edition, Fifth Printing

Genie is a registered trademark of Terex South Dakota, Inc. in the USA and many other countries. "S" is a trademark of Terex South Dakota, Inc.

 Printed on recycled paper



A TEREX BRAND

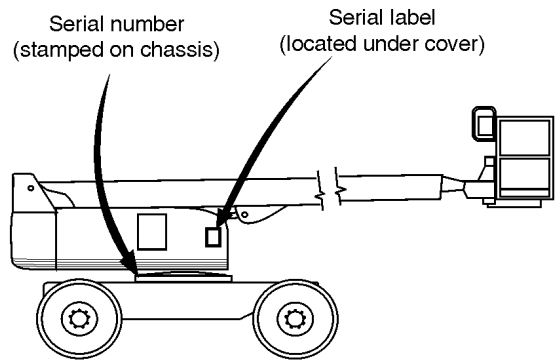
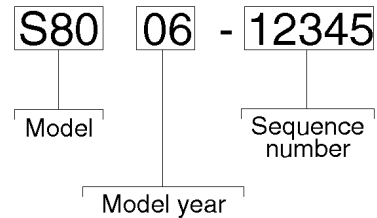
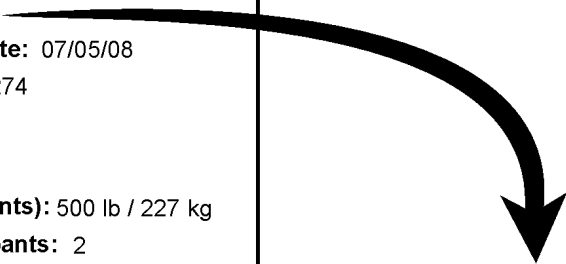
**Model:** S-80  
**Serial number:** S8006-12345  
**Model year:** 2008 **Manufacture date:** 07/05/08  
**Electrical schematic number:** ES0274  
**Machine unladen weight:**

**Rated work load (including occupants):** 500 lb / 227 kg  
**Maximum number of platform occupants:** 2  
**Maximum allowable side force :** 150 lb / 670 N  
**Maximum allowable inclination of the chassis:**  
0 deg  
**Maximum wind speed :** 28 mph/ 12.5 m/s  
**Maximum platform height :** 80 ft/ 24.38 m  
**Maximum platform reach :** 72 ft 5 in/ 22.07 m  
**Gradeability:** N/A  
**Country of manufacture:** USA  
**This machine complies with:**  
ANSI A92.5  
CAN B.354.4

**Terex South Dakota, Inc.**  
**18340 NE 76th Street**  
**Redmond, WA 98052**  
**USA**



10000000000000



## Table of Contents

This manual is updated frequently. If you have a printed manual, you can keep it up to date by downloading new figures from the Genie website at [www.genielift.com](http://www.genielift.com). For the most up-to-date parts information, visit the Parts Lookup System on the Genie website at [www.genielift.com](http://www.genielift.com).

How to Read Your Serial Number.....	3
Parts Stocking List.....	7
How to Order Parts.....	8
Service Parts Fax Order Form.....	9

**Electronic Version**

Click on any page number to view the figure.

**100 Decals**

101.1 Decals.....	10
-------------------	----

**200 2WD Drive Chassis Components**

201.1 Steer Axle Linkage.....	14
202.1 Extendable Steer Axle Installation.....	16
203.1 Steering Wheels and Hubs.....	18
204.1 Drive Manifold, 2WD.....	20
205.1 Chassis Jack and Axle Extend Dump Manifolds.....	22
206.1 Non-Steer Axle Wheel Drive (to SN 2732).....	24
206.2 Non-Steer Axle Wheel Drive (from SN 2733).....	28
207.1 Extendable Non-Steer Axle Installation.....	30
208.1 Extendable Axle Hydraulic Limit Switch Installation...32	
209.1 Hydraulic Hoses and Fittings - Drive and Steer System.....	34
210.1 Hydraulic Hoses and Fittings - Extendable Axle System.....	38

**300 4WD Drive Chassis Components**

301.1 Steer Axle Linkage.....	42
302.1 Extendable Steer Axle Installation.....	44
303.1 Steer Axle Wheel Drive.....	46
304.1 4WD Drive Manifold (to SN 2648).....	48
304.2 4WD Drive Manifold (from SN 2649).....	50
305.1 Chassis Jack and Axle Extend Dump Manifolds.....	52
306.1 Non-steer Axle, Wheels and Hubs (to SN 2732).....	54
306.2 Non-steer Axle, Wheels and Hubs (from SN 2733).....	58
307.1 Extendable Non-Steer Axle Installation.....	60
308.1 Extendable Axle Hydraulic Limit Switch Installation...62	
309.1 Hydraulic Hoses and Fittings - Drive and Steer System.....	64

310.1 Hydraulic Hoses and Fittings - Extendable Axle System.....	70
--	----

**400 Engine Components**

401.1 Ford LRG-425 EFI Engine - View 1 (to SN 2971).....	74
401.2 Ford LRG-425 EFI Engine - View 1 (from SN 2972)...	78
402.1 Ford LRG-425 EFI Engine - View 2.....	82
403.1 Ford LRG-425 EFI Engine - View 3.....	86
404.1 Deutz F4L 1011F Engine - View 1.....	88
405.1 Deutz F4L 1011F Engine - View 2.....	90
406.1 Deutz F4L 1011F Engine - View 3.....	92
407.1 Perkins 704-30 Engine - View 1.....	96
408.1 Perkins 704-30 Engine - View 2.....	98
409.1 Perkins 704-30 Engine - View 3.....	100
410.1 Perkins 704-30 Engine - View 4.....	102
411.1 Perkins 704-30 Engine - View 5.....	104

**500 Turntable Components**

501.1 Hydraulic and Fuel Tanks - Gasoline/LPG Models (with metal fuel tank).....	106
502.1 Hydraulic and Fuel Tanks - Gasoline/LPG Models (with plastic fuel tank).....	108
503.1 Hydraulic and Fuel Tanks - Diesel Models (with metal fuel tank).....	110
504.1 Hydraulic and Fuel Tanks - Diesel Models (with plastic fuel tank).....	112
505.1 Function Manifold and Auxiliary Power Unit Installation.....	114
506.1 Function Manifold.....	118
507.1 Turntable Rotator and Hydraulic Rotary Coupler Installation (to SN 2919).....	122
507.2 Turntable Rotator and Hydraulic Rotary Coupler Installation (from SN 2920).....	126
508.1 Ground Controls - View 1.....	130
509.1 Ground Controls - View 2.....	132
510.1 Turntable Covers - View 1.....	136
511.1 Turntable Covers - View 2.....	138
512.1 Turntable Covers and Hydraulic Oil Cooler Option - View 3.....	140
513.1 Hydraulic Hoses and Fittings (to SN 2919).....	142
513.2 Hydraulic Hoses and Fittings (from SN 2920).....	148

**600 Boom Components**

601.1 Boom Installation.....	154
602.1 Extension Boom - View 1.....	156
603.1 Extension Boom - View 2.....	158
604.1 Extension Cylinder Assembly.....	160
605.1 Cable Track Installation.....	162
606.1 Slave Cylinder and Platform Rotator (to SN 2704)...	166

606.2 Slave Cylinder and Platform Rotator (from SN 2705).....	170
607.1 Jib Boom and Platform Rotator (to SN 2704).....	172
607.2 Jib Boom and Platform Rotator (from SN 2705).....	176
608.1 Hydraulic Hoses and Fittings - Boom Components (to SN 2704).....	178
608.2 Hydraulic Hoses and Fittings - Boom Components (from SN 2705).....	180
609.1 Hydraulic Hoses and Fittings - Boom Components (to SN 2704).....	182
609.2 Hydraulic Hoses and Fittings - Boom Components (from SN 2705).....	184
610.1 Jib Detail.....	186
611.1 Platform Installation.....	188

### **700 Platform Components**

701.1 Platform Installation (to SN 2848).....	190
701.2 Platform Installation (from SN 2849).....	192
702.1 Platform Controls - View 1.....	194
703.1 Platform Controls - View 1.....	196
704.1 Platform Controls - View 2.....	198
705.1 Joystick Controller - Drive/Steer Functions.....	202
706.1 Joystick Controller - Boom Extend/Retract Functions.....	204
707.1 Joystick Controller - Boom Up/Down and Turntable Rotate Functions.....	206

### **800 Accessories**

801.1 Alarm and Beacon Package.....	208
802.1 Platform Options.....	210
803.1 Airline to Platform.....	212
804.1 Generator and Spare LPG Tank.....	214
805.1 Hydraulic Hoses and Fittings - Generator Option.....	218
806.1 Cold Start Package.....	220
807.1 Hostile Environment Package - Cylinders Bellows.....	222
808.1 Hostile Environment Package - Turntable.....	224
809.1 Hostile Environment Package - Boom and Turntable Covers.....	226
810.1 Hostile Environment Package - Cable Track.....	228
811.1 Hostile Environment Package - Engine Air Cleaner.....	230
812.1 Drive Light Option.....	232
813.1 Load Sensor Option.....	234

### **Indices**

Part Number Index.....	236
Part Description Index.....	243

### **Cross References**

Fittings Cross Reference.....	254
-------------------------------	-----

Notes

Multiple horizontal lines for taking notes.

## Required Parts

The following parts are required to perform maintenance procedures as outlined in the *Genie S-80 and S-85 Service Manual*.

### Perkins 704-30 Models

Description	Part No.
Air Filter .....	62420
Fuel Filter Element .....	62421
Fuel/water Separator Filter .....	65853
Engine Oil Filter .....	62422
V-belt .....	62423

### Deutz F4L-1011F Models

Description	Part No.
Air Filter .....	62420
Fuel/water Separator Filter .....	29560
Engine Oil Filter .....	62430
V-belt .....	32698

### Ford LRG-425 Models:

Description	Part No.
Fuel Pre-Filter .....	52179
Fuel Pressure Regulator Filter .....	58967
Engine Oil Filter .....	28656
Air Filter .....	77295
Serpentine Belt .....	52580
PCV Valve .....	33957
Spark Plug (pack of 4) .....	106490

## Recommended Parts

Description	Part No.
Genie Blue Paint, 1 Gallon .....	32150
Genie Blue Paint, 12 Ounce Aerosol .....	1484
Genie Gray Paint, 1 Gallon .....	32151
Genie Gray Paint, 12 Ounce Aerosol .....	1268

## Manuals

Genie Industries offers the following support documents for these models:

Title	Part No.
Genie S-80 and S-85 Operator's Manual (from serial number 488 to 3081) .....	43650
Genie S-80 and S-85 Service Manual (from serial number 966 to 3081) .....	72062
EMI Safety Manual .....	27581
Manual of Responsibilities ANSI A92.5 .....	31779

## How To Order Parts

Please be prepared with the following information when ordering replacement parts for your Terex or Genie product:

- Machine model number
- Machine serial number
- Part number
- Part description and quantity
- Purchase order number
- "Ship to" address
- Desired method of shipment
- Name and telephone number of the authorized distributor in your area

Use the Service Parts Fax Order Form on the next page and fax your order to our Parts Department.

If you don't know the name of your authorized distributor, or if your area is not currently serviced by an authorized distributor, please call Terex or Genie Industries.

### Machine Information

---

Model

---

Serial Number

---

Date of Purchase

---

Authorized Genie Distributor

---

Phone Number

#### North America

Telephone (425) 556-6551  
 Toll Free (877) 367-5606 in U.S.A. and Canada  
 Fax (425) 556-8659  
 Toll Free Fax (888) 274-6192

#### Europe

Parts Telephone (31) (165) 519 313  
 Parts Fax (31) (165) 511 148

#### Australia

Parts Telephone (61) (7) 3456 4444  
 Parts Fax (61) (7) 3456 4466

#### South America

Parts Telephone (55) (11) 4082 5600  
 Parts Fax (55) (11) 4082 5630





Service Parts Fax Order Form

Fax to: (425) 556-8659 or Toll Free: 888-274-6192  
International: +1-425-556-8659

Please fill out completely

Date \_\_\_\_\_ Account Number \_\_\_\_\_  
Your Name \_\_\_\_\_ Your Fax Number \_\_\_\_\_  
\_\_\_\_\_ Your Phone Number \_\_\_\_\_  
Bill To \_\_\_\_\_ Ship To \_\_\_\_\_  
\_\_\_\_\_ \_\_\_\_\_  
\_\_\_\_\_ \_\_\_\_\_  
Purchase Order Number \_\_\_\_\_ Ship Via \_\_\_\_\_

Model(s) \_\_\_\_\_ Serial No.(s) \_\_\_\_\_

Optional Equipment \_\_\_\_\_

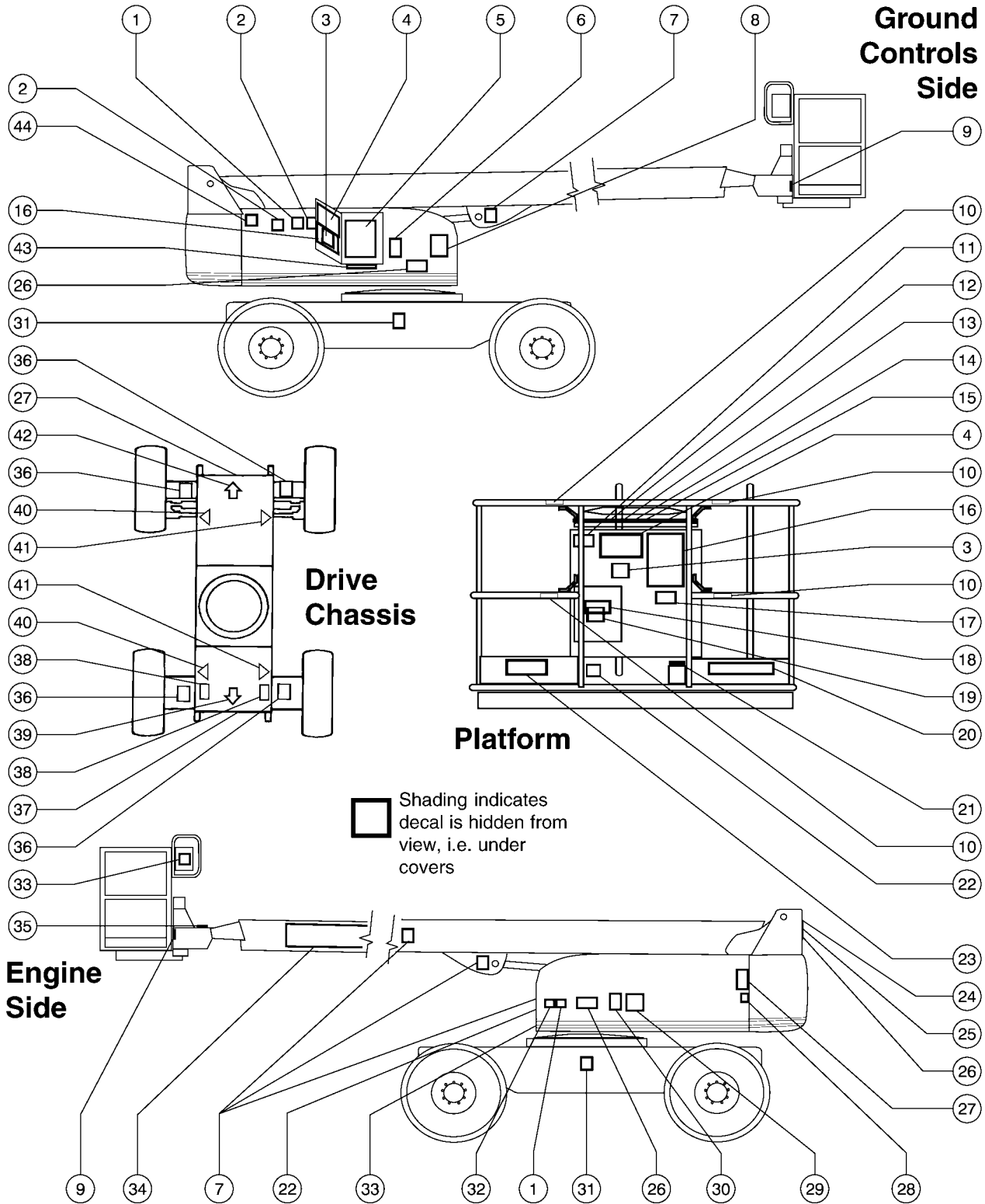
Part Number	Description	Quantity	Price

All back-ordered parts will be shipped when available via the same ship method as the original order unless Noted below:

- Ship complete order only - No back orders
- Ship all available parts and contact customer on disposition of back-ordered parts
- Other (please specify)



101.1 Decals



101.1 Decals

Item	Part No.	Description	Qty.	Item	Part No.	Description	Qty.
--	1268	PAINT,AEROSOL,GENIE GRAY***		16	97890	DECAL,DANGER,GEN SAFETY RULES.....	2
--	1484	PAINT,AEROSOL,BRIGHT BLUE***		17	43595	DECAL,DANGER,TIP-OVER,TIRES***.1	
--	32150	PAINT,WET,GENIE BLUE (1 GL)**		18	28236	DECAL,WARN,IMPROPER OPERATION.....	1
--	32151	PAINT,WET,GENIE GRAY (1 GL)**		19	28176	DECAL,LABEL,MANUAL NOT HERE.....	1
--	62245	DECAL KIT,INSTRUCT,S80/85GAS Gasoline/LPG models; kit does not include index numbers 8, 12, 13, 14, 17, 20, 22, 23, 25, 28, 33, 34 and 37		20	30080	DECAL,NOTICE,MAX LOAD 500 LBS.....	1
--	62246	DECAL KIT,INSTRUCT,S80/85DIESEL Diesel models; kit does not include index numbers 8, 12, 13, 14, 17, 20, 22, 23, 25, 32, 33, 34 and 37		--	32998	DECAL,NOTICE,MAX LOAD 600 LBS.....	1
1	28171	DECAL,DANGER,NO SMOKING*** .....	2	--	43594	DECAL,NOTICE,MAX LOAD 750 LBS.....	1
2	28158	DECAL,LABEL,UNLEADED GAS ONLY .....	2	21	28165	DECAL,INSTRUCT,FOOTSWITCH OPER.....	1
--	28159	DECAL,DIESEL.....	2	22	44981	DECAL,LABEL,AIRLINE 110 PSI.....	2
3	32932	DECAL,DANGER,TIPOVER,AXLES.2		23	97887	DECAL,INSTR,MAX SIDE FRC,ANSI.....	1
4	43647	DECAL,NOTICE,OPER INST.IC*** .....	2	--	44986	DECAL,INSTR,SIDE FRC/WIND,AUS.....	1
5	72160	DECAL,GND CONT PNL,S45/S60/80.....	1			<i>CE Models</i>	
--	49926	DECAL,GND CONT PNL,S45/60/80** .....	1	24	31060	DECAL,DANGER DO NOT ALTER SWTC.....	1
6	25994	DECAL,NOTICE,SHUTOFF VALVES.....	1	25	62921	DECAL,COSMETIC,S80.....	1
7	28161	DECAL,WARN,CRUSH HAZARD HAND.....	4	25	62923	DECAL,COSMETIC,S85.....	1
8	77046	SERIAL # LABEL,MYLAR 4X8*** .....	1	26	27564	DECAL,DANGER,ELEC.HAZ.STAY CLR.....	3
9	28177	DECAL,WARN,CRUSH HAZARD PLAT.....	2	27	49741	DECAL,NOTICE,FORD EFI ENG SPEC.....	1
10	40434	DECAL,LANYARD ANCHORAGE POINT.....	4	--	33956	DECAL,NOTICE, FORD ENG SPEC** .....	1
11	33952	DECAL,DANGER,TILT ALARM*** .....	1	--	33985	DECAL,NOTICE,DEUTZ ENG SPEC** .....	1
12	32726	DECAL,OPTION GLOW PLUGS*** .....	1	--	33986	DECAL,NOTICE,DEUTZ ENG SPEC.....	1
13	133518	DECAL, PATCH, GEN,ALC-500.....	1	--	63461	DECAL, ENGINE SPEC, PERKINS.....	1
14	44769	DECAL,LABEL,LFT/DRV SELECT.....	1	28	35599	DECAL,NOTICE,AIR INLET*** .....	1
--	72867	DECAL,LABEL,LIGHTS*** .....	1			<i>Deutz Diesel Models</i>	
15	52156	DECAL,PLATFORM CTRL PANEL.....	1	29	28175	DECAL,COMPARTMENT ACCESS.....	1
--	52251	DECAL,PROTECTOR,CLEAR,PLATE.1		30	28164	DECAL,NOTICE,HAZARDOUS MAT'LS* .....	1
--	72162	DECAL,PLATFORM CTRL PANEL.....	1	31	32999	DECAL,NOTICE,TIRE PRESSURE.....	2

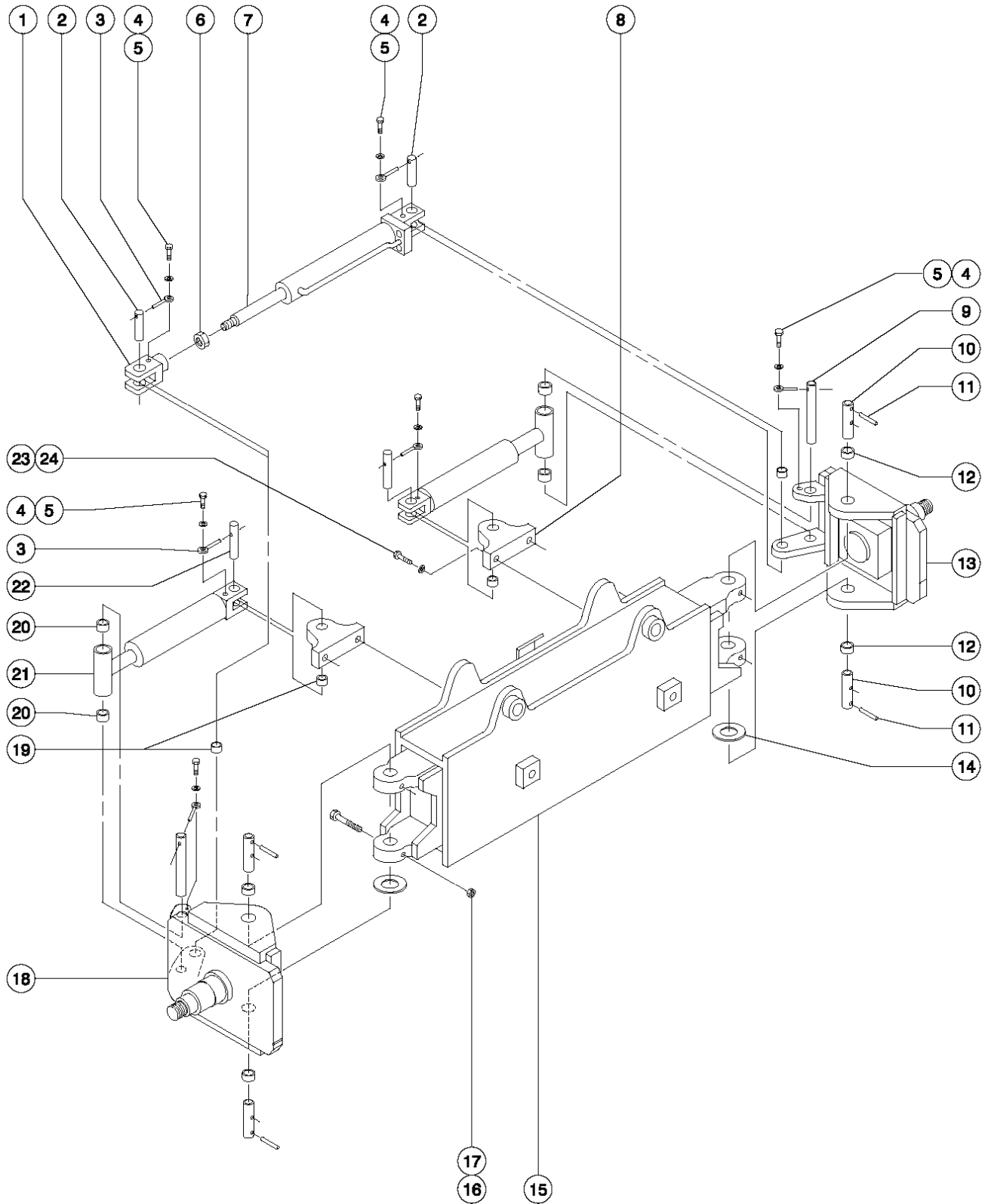


101.1 Decals  
(continued)

Item	Part No.	Description	Qty.
32	28160	DECAL,LABEL,LIQUID PROPANE.....1 <i>Gasoline/LPG Models</i>	1
33	28174	DECAL,POWER TO PLATFORM 230V.....1	1
33	28235	DECAL,POWER TO PLATFORM 115V.....1	1
--	28235	DECAL,POWER TO PLATFORM 115V.....1	1
34	62920	DECAL,COSMETIC,GENIE S-80.....1	1
34	62922	DECAL,COSMETIC,GENIE S-85.....1	1
35	28181	DECAL,WARN,FALL HAZARD.....1	1
36	32997	DECAL,WARNING,HAND/FOOT CRUSH.....4	4
37	52966	DECAL,COSMETIC,4 X 2.....1	1
--	52967	DECAL,COSMETIC,4 X 4.....1	1
38	32996	DECAL,NOTICE,EXT AXLE OPER.....2	2
39	27205	DECAL,ARROW YELLOW LRG 9".....1	1
40	27206	DECAL,TRIANGLE,BLUE.....2	2
41	27207	DECAL,TRIANGLE,YELLOW.....2	2
42	27204	DECAL,ARROW BLUE.....1	1
43	43663	DECAL,NOTICE, FUNCTION ENABLE*.....1	1
44	28157	DECAL,USE DEXRON*** .....1	1

*This Page Intentionally Left Blank*

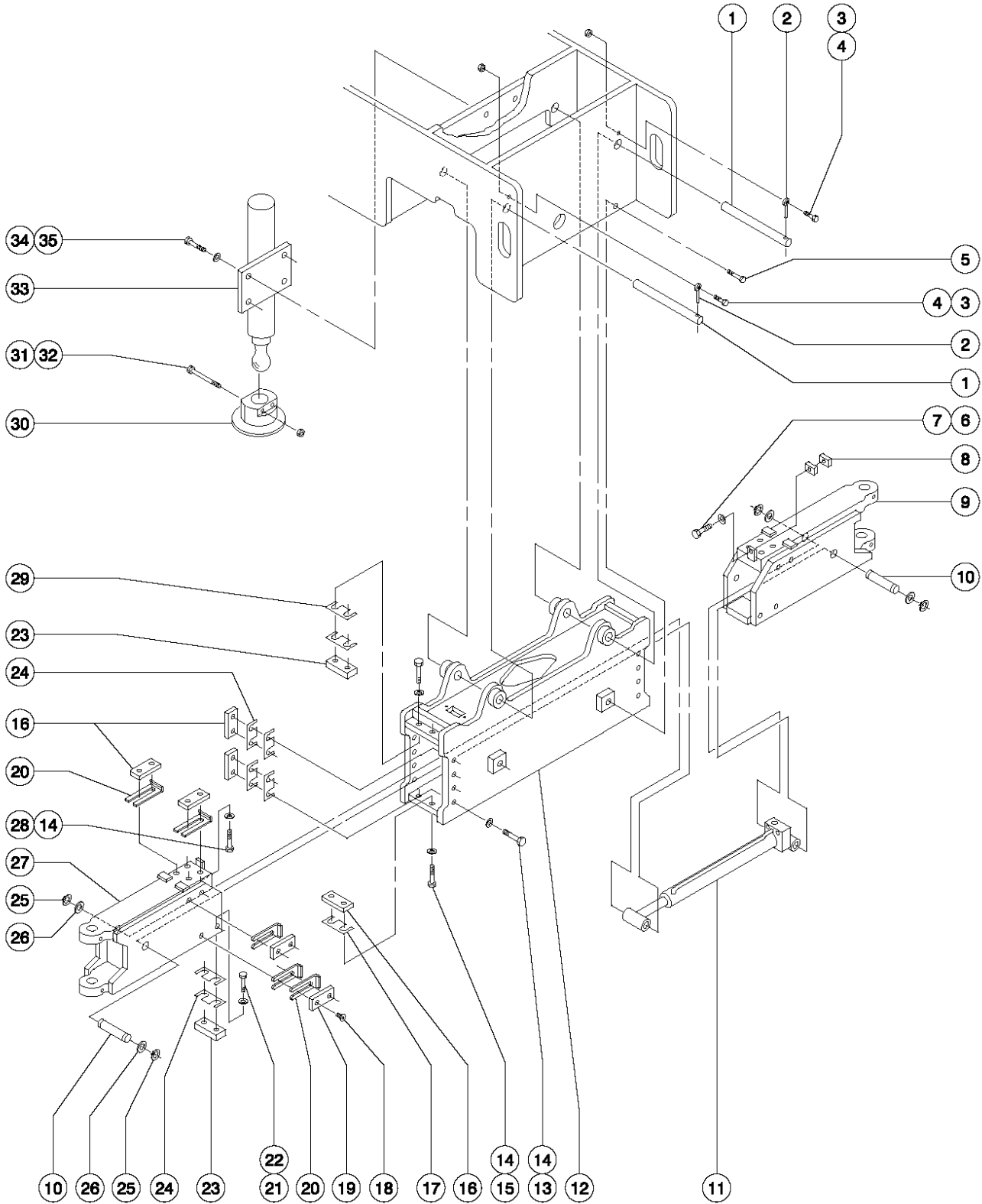
201.1 Steer Axle Linkage



201.1 Steer Axle Linkage

Item	Part No.	Description	Qty.	Item	Part No.	Description	Qty.
1	34290P-S	ADJUSTMENT LUG,1.25-7 PAINTED.....	1	23	36897	SCREW,SHC,5/8-18 X 2.25.....	4
2	34276	PIN,1.25DIAX3.37LG,1HOLE.....	2	24	42191	WASHER,FLAT,.640X1.160X.09.....	4
3	25284	ROD END,.375 X 2.25***.....	6				
4	6175	SCREW,HHC,3/8-16 X 1.....	6				
5	6021	WASHER,LOCK,.375.....	6				
6	27953	NUT,HEX,JAM,1.25-7.....	1				
7	81993	CYLINDER,TIE ROD, S80/S85.....	1				
--	33428	VALVE,COUNTERBALANCE.....	1				
--	63359	SEAL KIT CYL.S80(63219).....	1				
8	36892P-S	LUG,FRONT AXLE STEERING,PAINT.....	2				
9	34275	PIN,1.25DIAX10.18LG,1HOLE.....	2				
10	53081	PIN,1.50DIAX4.76LG,2HOLE.....	4				
11	14815	PIN,ROLL,SST,.25 X 2.25.....	4				
12	119619	BEARING,1.5IDX1.75ODX1.5L,PTFE.4					
13	53493-S	2WD STR.YOKE WELD.L.H.2ND STG.....	1				
		<i>includes 2 each of index number 12 and 1 each of index number 19</i>					
14	45074	WASHER,THRUST,1.5 X 3.5 X .187.....	2				
15	34064-S	WELDMENT,OUTER FRONT AXLE.....	1				
16	6198	NUT,NYLOCK,1/2-13.....	2				
17	12461	SCREW,HHC,1/2-13 X 5,GRD.8.....	2				
18	53492-S	2WD STR.YOKE WELD.R.H.2ND STG.....	1				
		<i>includes 2 each of index number 12 and 1 each of index number 19</i>					
19	34245	BEARING,1.25IDX1.50X1.25L.....	4				
20	25683	BEARING,POLYGON,20DU12.....	4				
		<i>(for 34128 cylinder)</i>					
20	59266	BEARING, POLYGON P2055 (59105) <i>(for 59101 and 88348 cylinders)</i>					
21	59050	SEAL KIT,2.5" BORE,1.5" ROD*** <i>(use with cylinder 59101)</i>					
21	88348	CYLINDER,STEER S80/85.....	2				
		<i>includes 2 each of index number 20</i>					
--	31078	SEAL KIT,HYDRAULIC CYLINDER*** <i>(use with cylinder 34128)</i>					
--	88349	SEAL KIT,STEER CYL***.....	2				
		<i>(use with cylinder 88348)</i>					
22	35849	PIN,1.25DIAX4.19LG,THREADED...2					

202.1 Extendable Steer Axle Installation





202.1 Extendable Steer Axle Installation

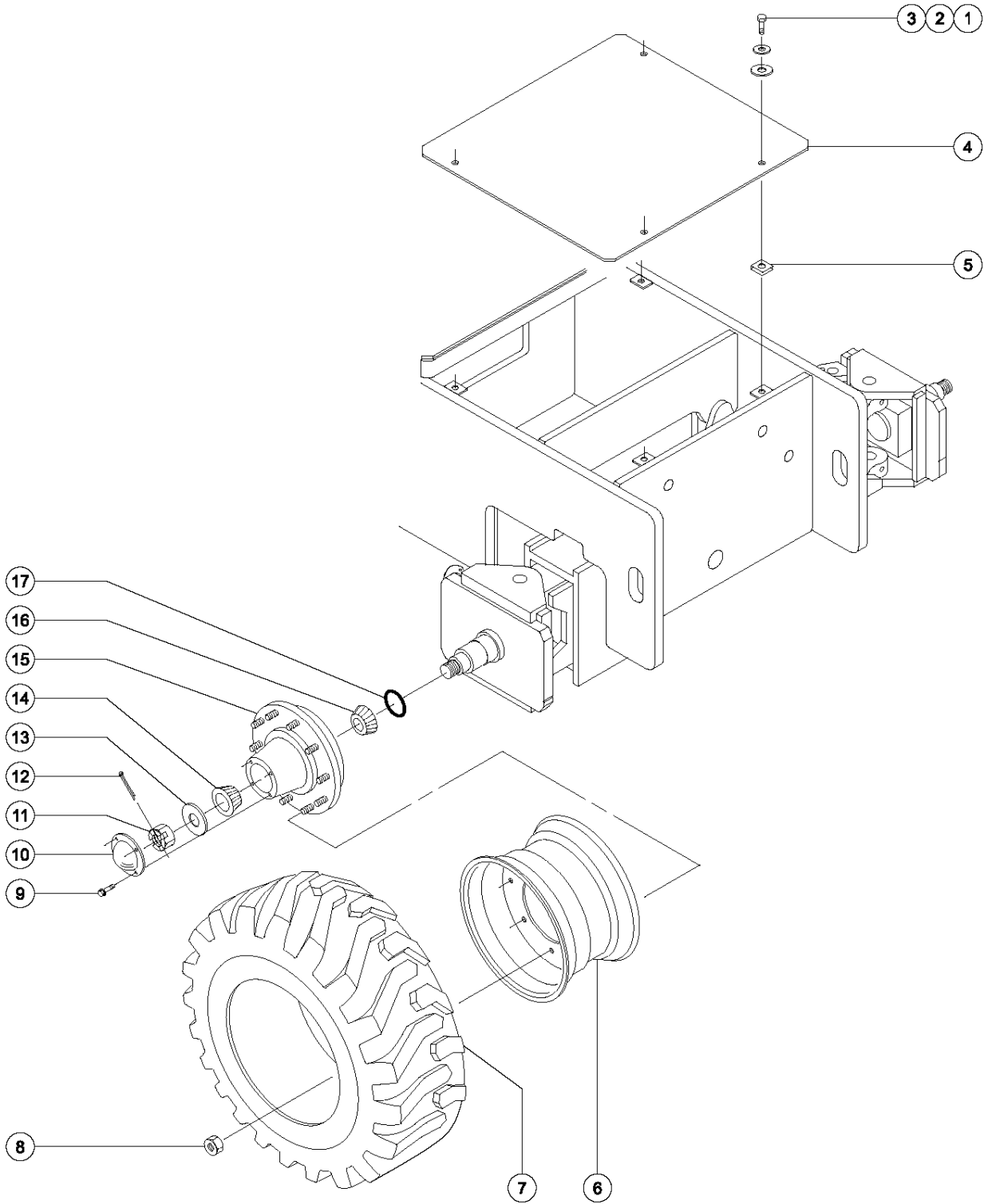
Item	Part No.	Description	Qty.
1	30731	PIN,PRIM.BOOM,16.0 X 1.5 INCH.....	2
2	30418	ROD END,.50 X 4.....	2
3	6096	SCREW,HHC,1/2-13 X 2 GR5.....	2
4	6086	NUT,LP NYLOCK,1/2-13.....	4
5	19418	SCREW,SHC,5/8-11 X 1.75.....	2
6	6888	SCREW,HHC,1/4-20 X 1.....	2
7	6356	WASHER,LOCK,.25.....	2
8	34723P-S	TAP BLOCK,AXLE ADJ.PAINTED....	4
9	40669	WLDT,INN FR AXLE LH MACHED.....	1
10	34277	PIN,1.00DIA X 6.71LG,2RING.....	2
11	63217	CYLINDER,AXLE EXTENSION,FRONT.....	1
--	33428	VALVE,COUNTERBALANCE.....	1
--	63357	SEAL KIT CYL.S80(63217).....	1
12	34064-S	WELDMENT,OUTER FRONT AXLE.....	1
13	8516	SCREW,HHC,3/8-16 X 1.50,GR5.....	16
14	6021	WASHER,LOCK,.375.....	20
15	13918	SCREW,HHC,3/8-16 X 1.75,GRD.8.....	4
16	34125	WEAR PAD,5 X 1.5 X .75 W/NUTS.....	14
17	34343	SHIM,SIDE PAD 16GA,.44 SLOT.....	16
18	16439	SCREW,FHS,3/8-16 X 1.....	16
19	34207	WEAR PAD,5 X 1.5 X .75.....	8
20	29080	SHIM,WEAR PAD,5X 1.5 16GA.....	16
21	10598	SCREW,HHC,1/2-13 X 3.....	16
22	6033	WASHER,LOCK,0.5".....	4
23	41547P-S	PAD,AXLE COMPRESSION,PAINTED.....	4
24	41555	SHIM,SIDE PAD 16GA,.56 SLOT.....	22
25	44662	SNAP RING,EXTERNAL,1.00 DIA.....	4
26	30748	WASHER,SHIM,1.01 X 1.63 X.062.....	4
27	40667	WLDT,INN FR AXLE RH MACHINED.....	1

Item	Part No.	Description	Qty.
28	6708	SCREW,HHC,3/8-16 X 2.25.....	8
29	34954	SHIM,SIDE PAD 16GA.1.5 X 3.5....	4
30	34772	CASTING,JACK FT/PAD PAINTED.....	1
31	12981	SCREW,HHC,3/8-16 X 4.5.....	2
32	4828	NUT,NYLOCK,3/8-16.....	2
33	63220	CYLINDER,JACK***.....	1
--	63360	SEAL KIT CYL.S80(63220).....	1
34	29883	SCREW,HHC,5/8-11 X 1.75 GRD.8.....	4
35	6036	WASHER,LOCK,.625 PLTD.....	4

**Footnotes**

**1:** Quantity listed for this item is approximate. Actual quantity may vary to ensure proper fit.

203.1 Steering Wheels and Hubs



203.1 Steering Wheels and Hubs

Item	Part No.	Description	Qty.
1	6090	SCREW,HHC,1/4-20 X .75.....	4
2	6356	WASHER,LOCK,.25.....	4
3	6638	WASHER,FLAT,USS,1/4"Y.....	4
4	33448	COVER W/DECALS,DR.CHAS.STR.END.....	1
5	56912	SPRING CLIP,1/4-20,.025-.15X.5.....	4
6	73190	WHEEL, 22.5 X 11.75 S80 <i>for 81528, 81529</i>	
7A	81528	TIRE & WHEEL ASSY,AIR,RH,S80.....	1
		<i>RT, Air-filled, right</i>	
7A	81529	TIRE & WHEEL ASSY,AIR,LH,S80...1	
		<i>RT, Air-filled, left</i>	
--	81527	TIRE,15-22.5,16 PLY,HAULER S80 <i>for 81528, 81529</i>	
7B	81530	TIRE & WHEEL ASSY,FOAM RH,S80 <i>RT, Foam-filled, right</i>	
7B	81531	TIRE & WHEEL,ASSY,FOAM LH,S80 <i>RT, Foam-filled, left</i>	
8	34127	NUT,LUG,3/4-16 X 7/8 RADIUS.....	20
9	18506	5/16-18 X .75 LG.FLG.LCK.SCREW.....	8
10	73082	CAP,DUST.....	2
11	34627	NUT,SPINDLE,2.00-12.....	2
12	34628	PIN,COTTER,.375 X 3.5.....	2
13	34626	WASHER,FLAT,2.0 X 4.5 X .25.....	2
14	73080	BEARING,OUTER CONE.....	2
15	73075	HUB ASSY W/RACES.....	2
--	73076	HUB RACE,INNER.....	2
--	73077	HUB RACE, OUTER.....	2
--	73078	STUD,WHEEL,3/4-16.....	2
16	73079	BEARING, INNER CONE.....	2
17	94794	SEAL,GREASE.....	2

204.1 Drive Manifold, 2WD

